



US00D431773S

United States Patent [19]
Davis

[11] **Patent Number: Des. 431,773**

[45] **Date of Patent: ** Oct. 10, 2000**

[54] **COMPRESSED FABRIC ARTICLE PACKAGE**

D. 418,085 12/1999 Meurer D11/131

[76] Inventor: **Alan Davis**, 5830 Oberlin Dr., Suite
202, San Diego, Calif. 92121

Primary Examiner—Terry A. Wallace
Attorney, Agent, or Firm—Brown Martin Haller & McClain
LLP

[**] Term: **14 Years**

[57] **CLAIM**

[21] Appl. No.: **29/114,487**

The ornamental design for a compressed fabric article
package, as shown.

[22] Filed: **Nov. 23, 1999**

[51] **LOC (7) Cl.** **09-03**

DESCRIPTION

[52] **U.S. Cl.** **D9/308**; D11/131

FIG. 1 is a perspective view of a compressed fabric article
package of the present invention, showing my new design;
FIG. 2 is a bottom view thereof;
FIG. 3 is a rear view thereof;
FIG. 4 is a tail end view thereof; and,
FIG. 5 is a nose end view thereof.

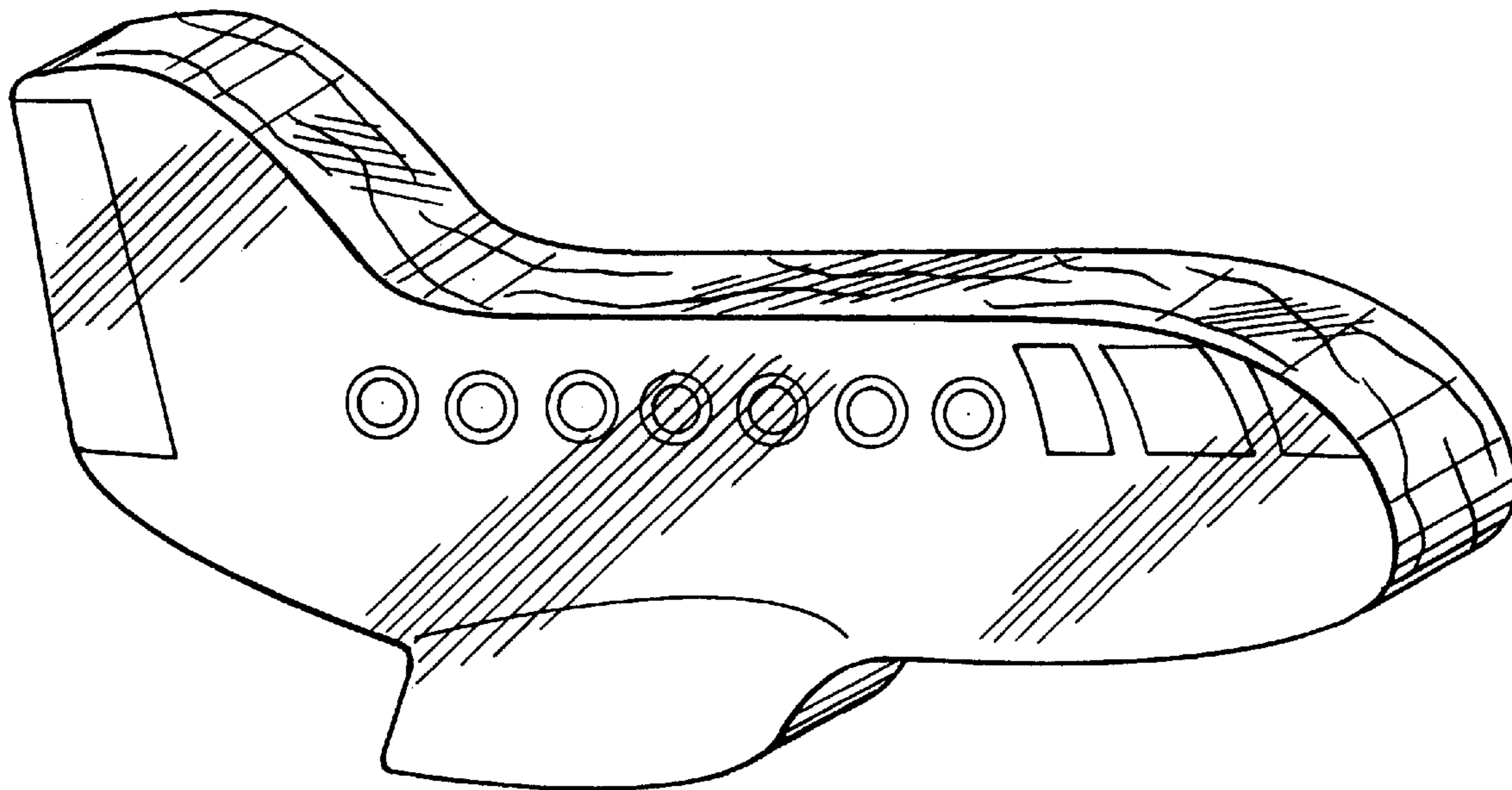
[58] **Field of Search** D9/307, 308; D11/131;
D21/447, 448; 428/7, 9, 12, 542.2–542.8

[56] **References Cited**

U.S. PATENT DOCUMENTS

D. 312,667 12/1990 Visco D21/448

1 Claim, 1 Drawing Sheet



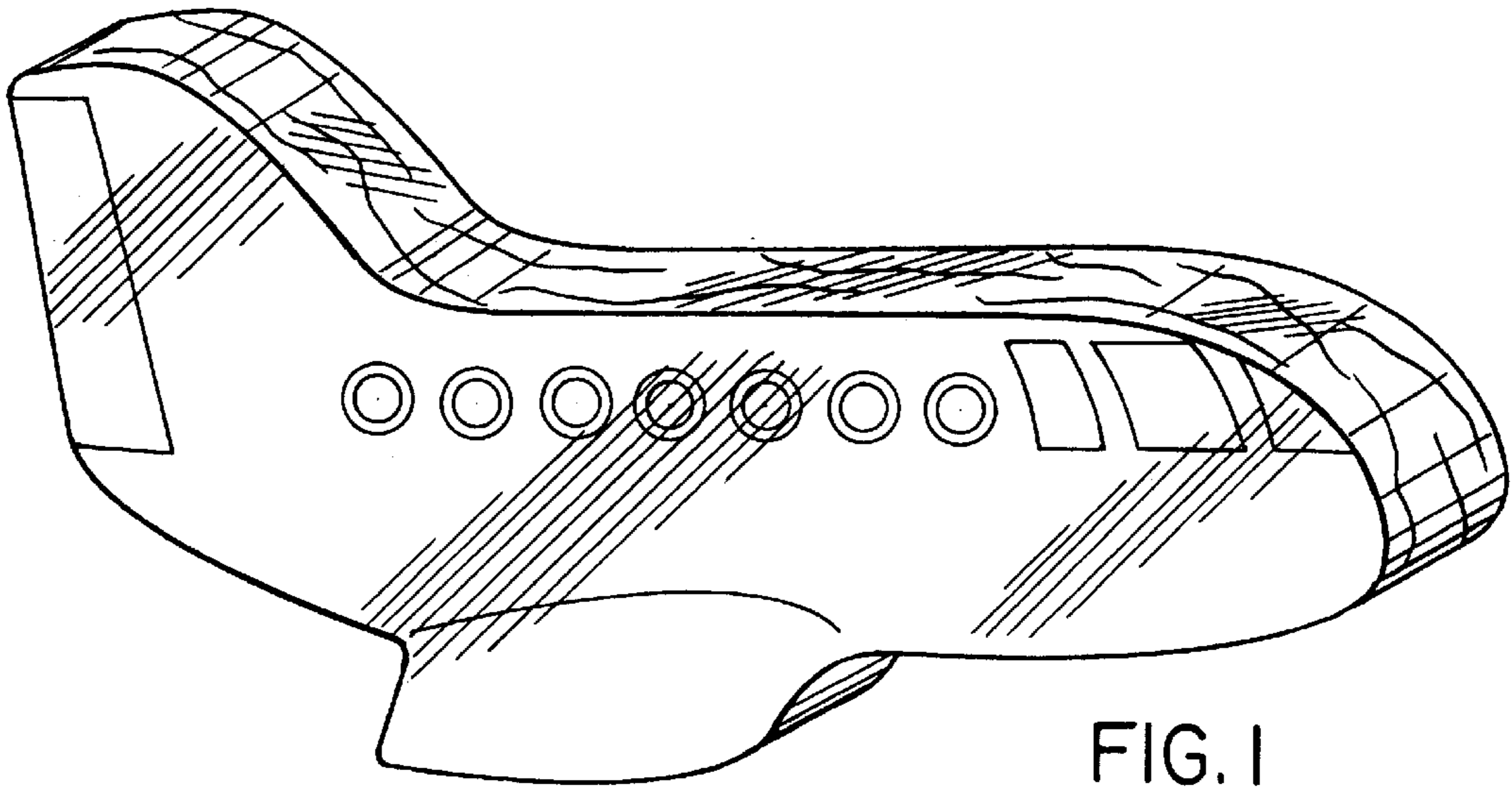


FIG. 1

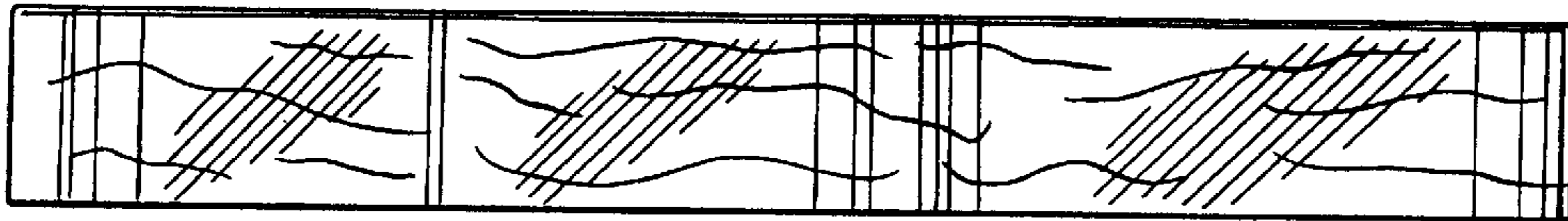


FIG. 2

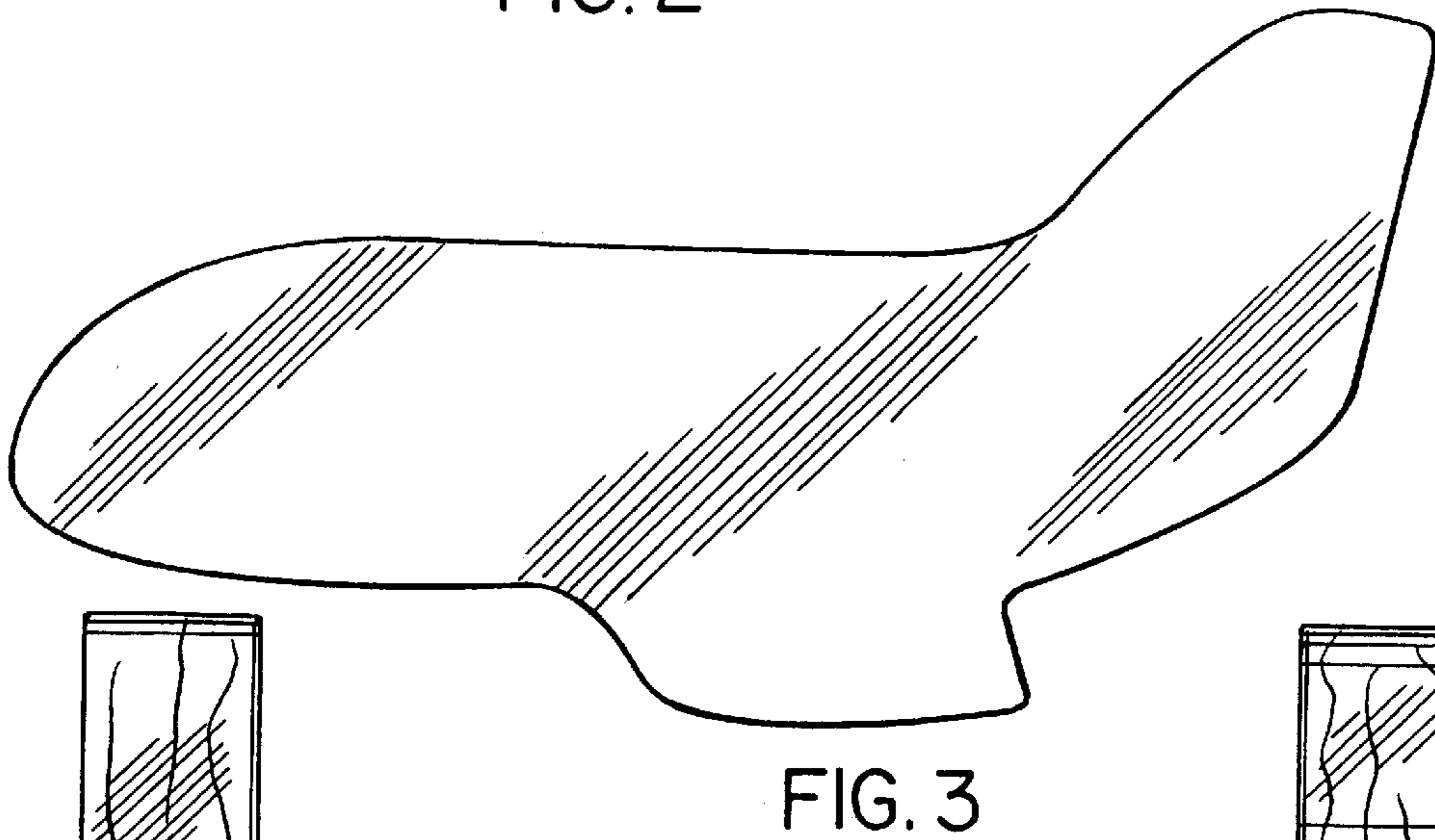


FIG. 3

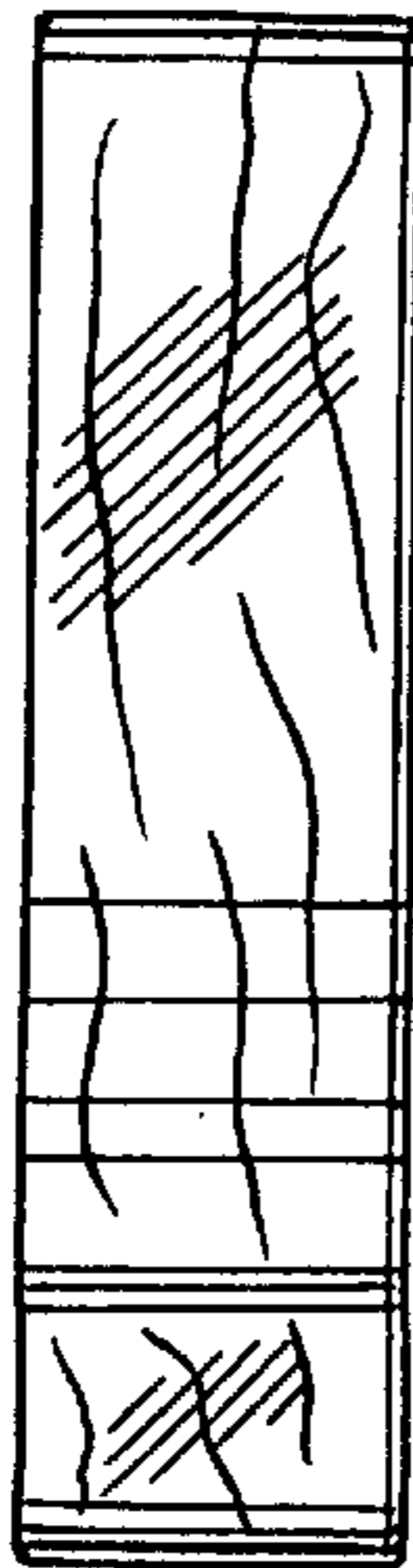


FIG. 4

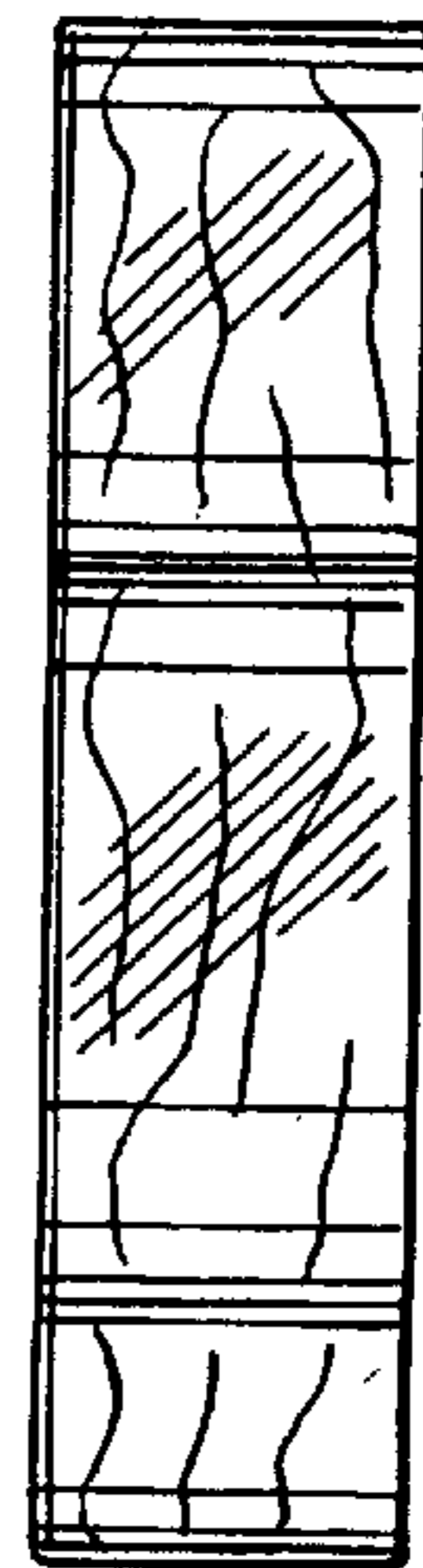


FIG. 5