



US00D431772S

United States Patent [19]

[11] Patent Number: Des. 431,772

Tsui

[45] Date of Patent: ** Oct. 10, 2000

[54] CORNER BUMPER FOR USE ON MOVABLE OR FIXED OBJECTS

[76] Inventor: Jones Tsui, 1130 Front St., Alhambra, Calif. 91803

[**] Term: 14 Years

[21] Appl. No.: 29/103,826

[22] Filed: Apr. 22, 1999

[51] LOC (7) Cl. 08-09

[52] U.S. Cl. D8/403

[58] Field of Search 206/453, 586; D8/400, 402, 403; 248/345.1; 52/287.1, 288.1

[56] References Cited

U.S. PATENT DOCUMENTS

| | | | | |
|------------|---------|------------|-------|--------|
| D. 246,625 | 12/1977 | Becker, II | | D8/403 |
| D. 302,789 | 8/1989 | Levine | | D8/403 |
| D. 325,835 | 5/1992 | Sollner | | D8/403 |
| D. 356,945 | 4/1995 | Rekuc | | D8/403 |
| D. 412,436 | 8/1999 | Tsui | | D8/403 |

Primary Examiner—Susan J. Lucas
Assistant Examiner—Jennifer Rivard
Attorney, Agent, or Firm—Robert J. Schaap

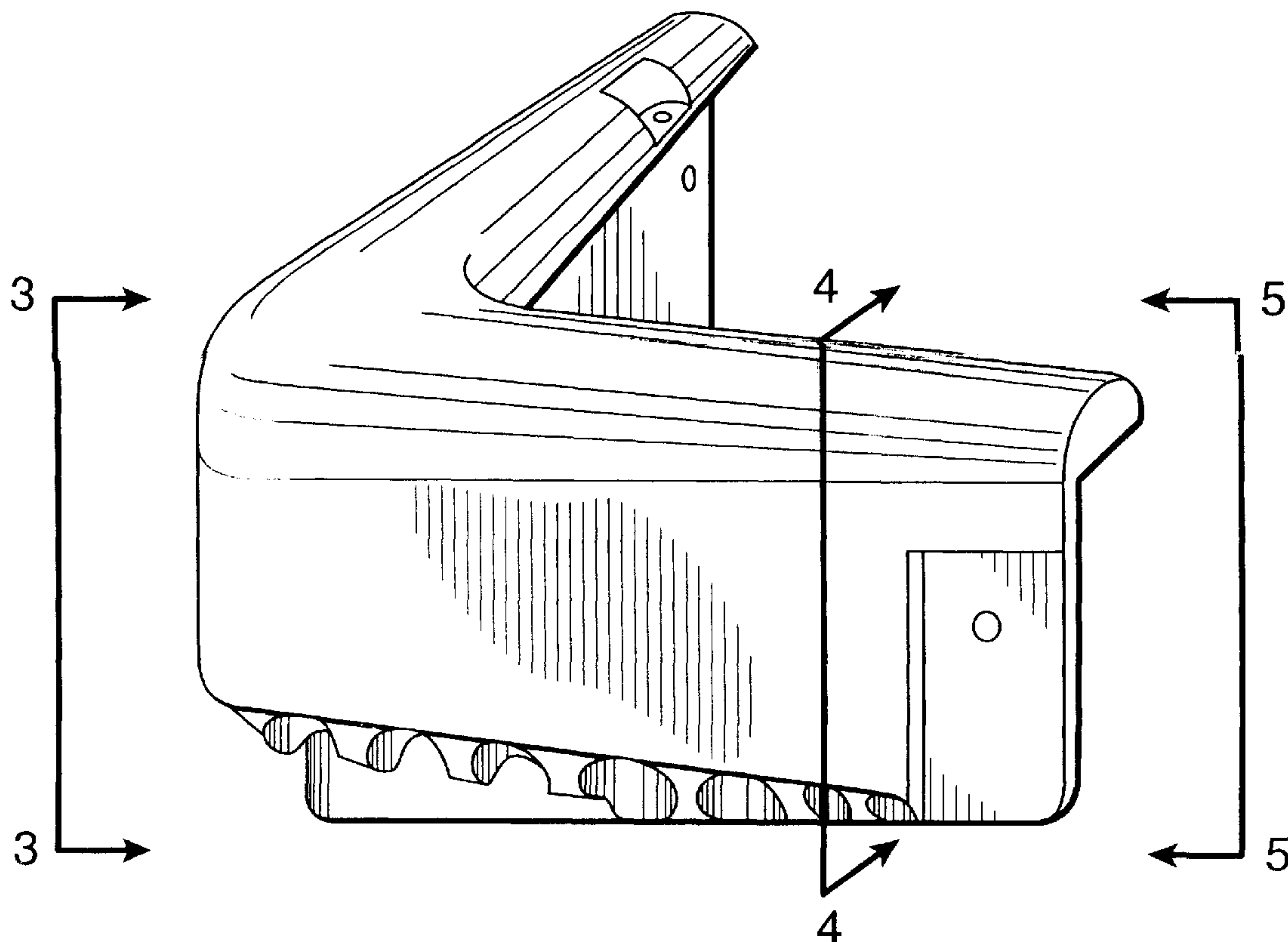
[57] CLAIM

The ornamental design for a corner bumper for use on movable or fixed objects, as shown.

DESCRIPTION

FIG. 1 is a perspective view of a corner bumper for use on movable or fixed objects in accordance with the design of the present invention;
FIG. 2 is a perspective view of the corner bumper of FIG. 1 from a right-hand side thereof with reference to FIG. 1;
FIG. 3 is a left end elevational view taken along the plane of line 3—3 of FIG. 1;
FIG. 4 is a front elevational view taken along the plane of line 4—4 of FIG. 1;
FIG. 5 is a right-side elevational view taken along the plane of line 5—5 of FIG. 1;
FIG. 6 is a top plan view of the corner bumper; and,
FIG. 7 is a bottom plan view of the corner bumper.

1 Claim, 3 Drawing Sheets



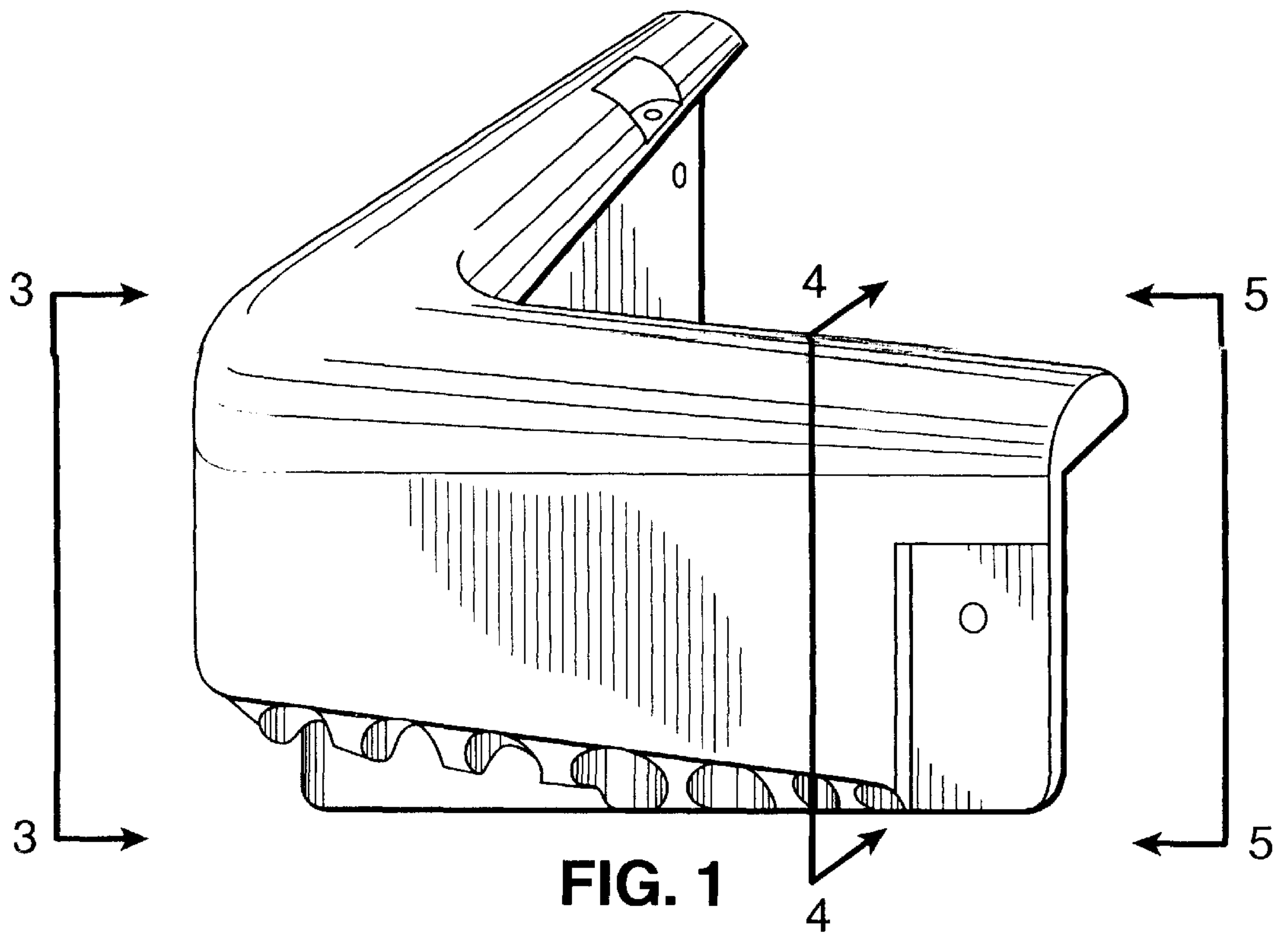


FIG. 1

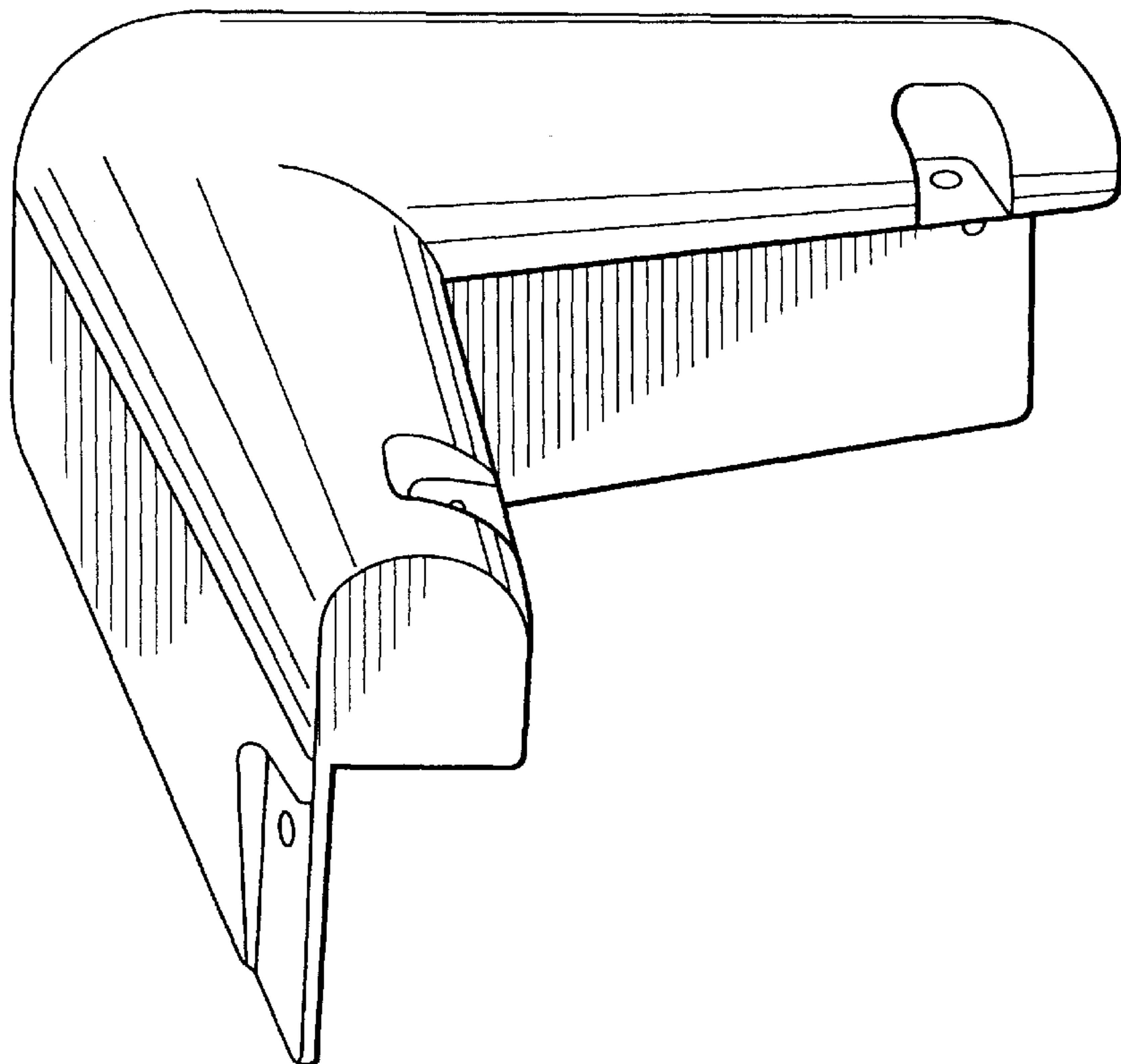


FIG. 2

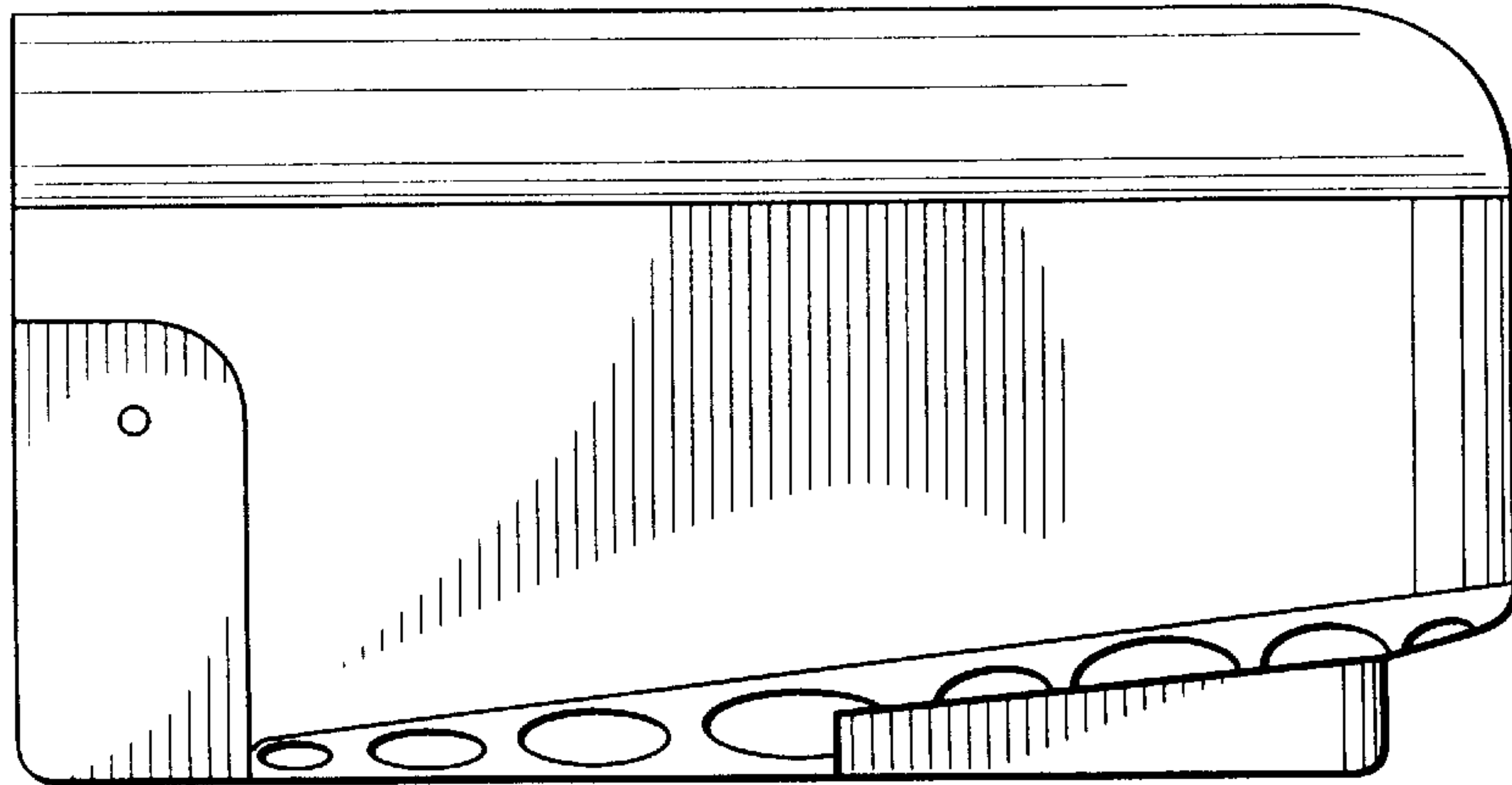


FIG. 3

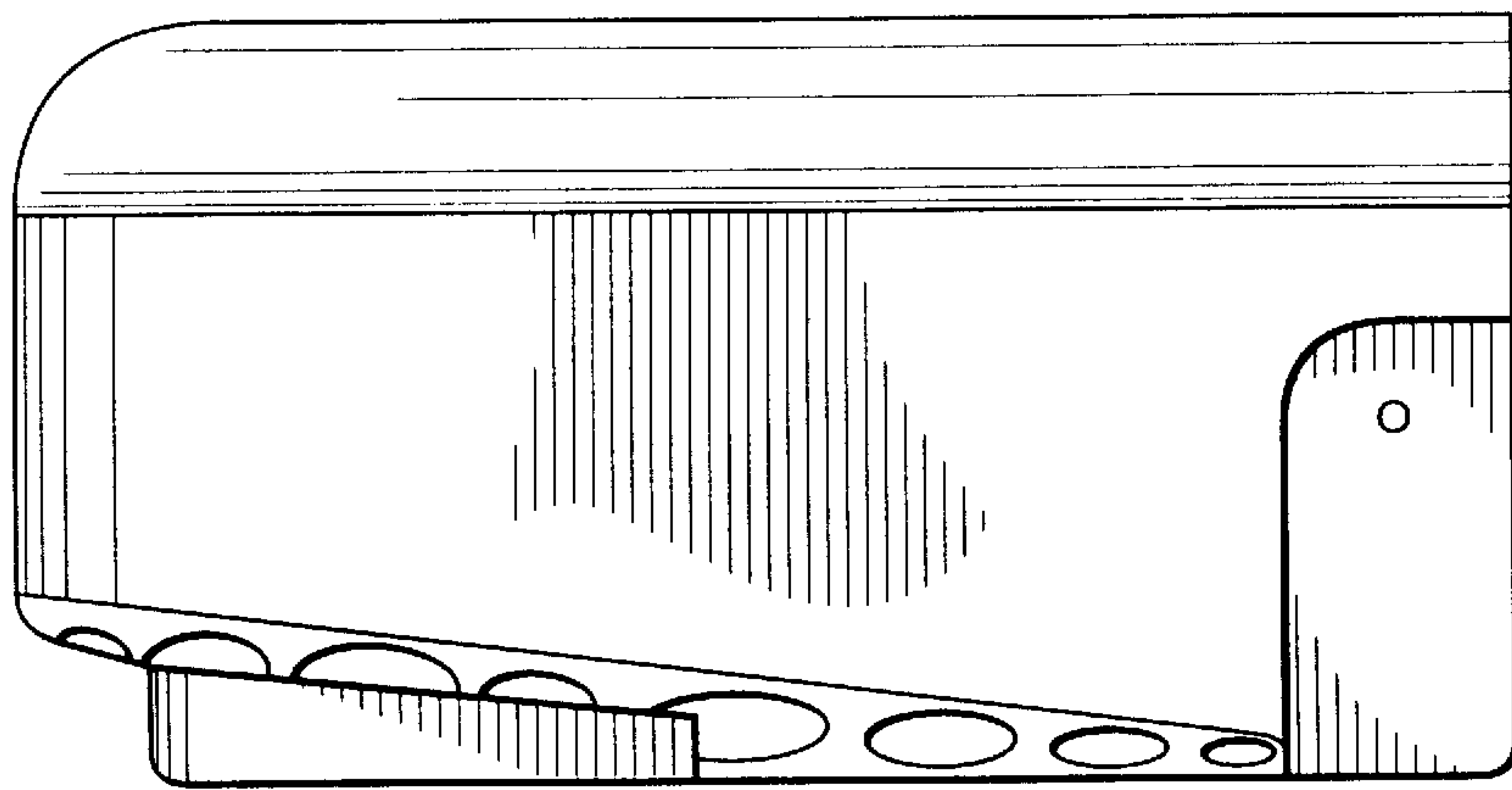


FIG. 4

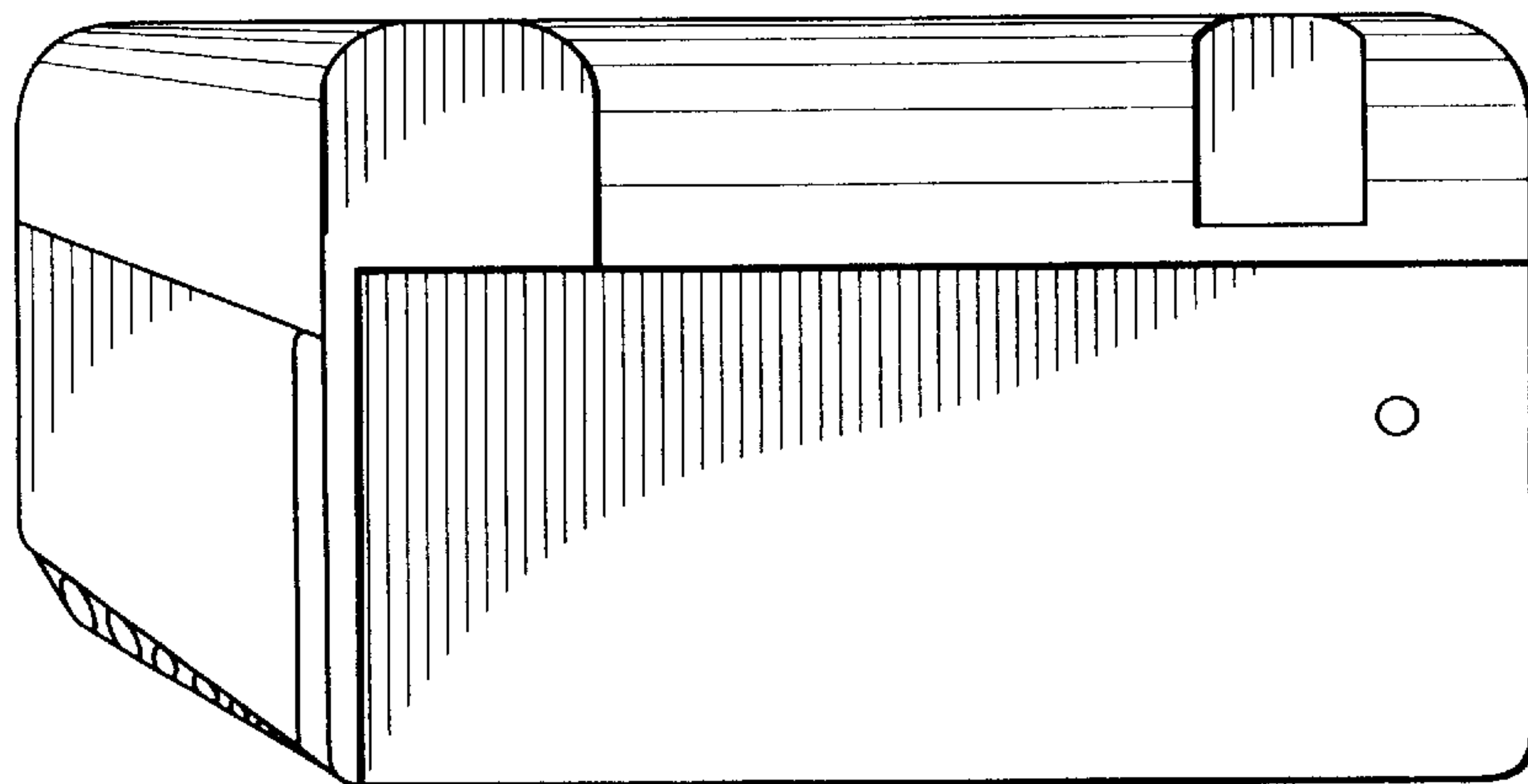


FIG. 5

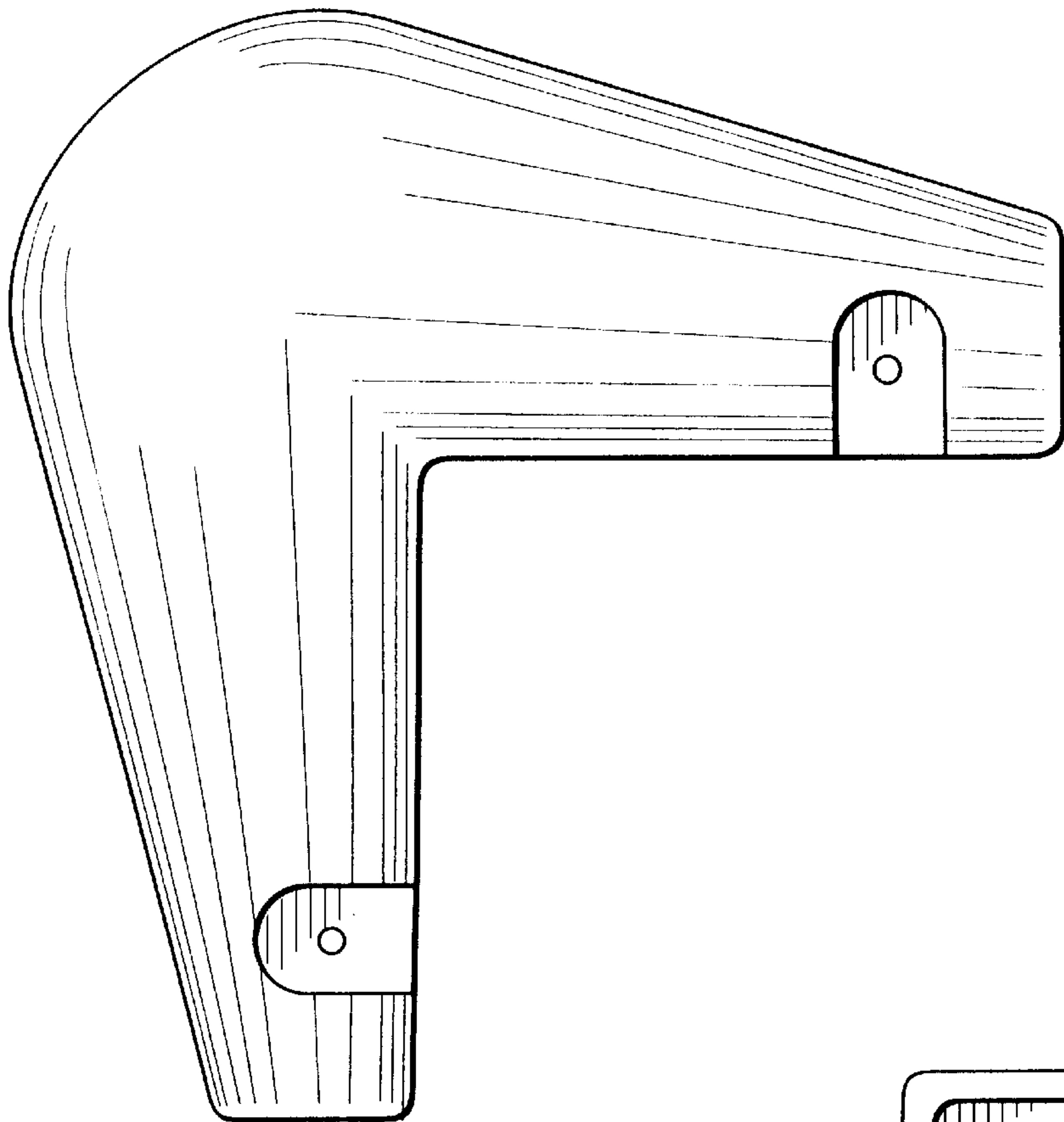


FIG. 6

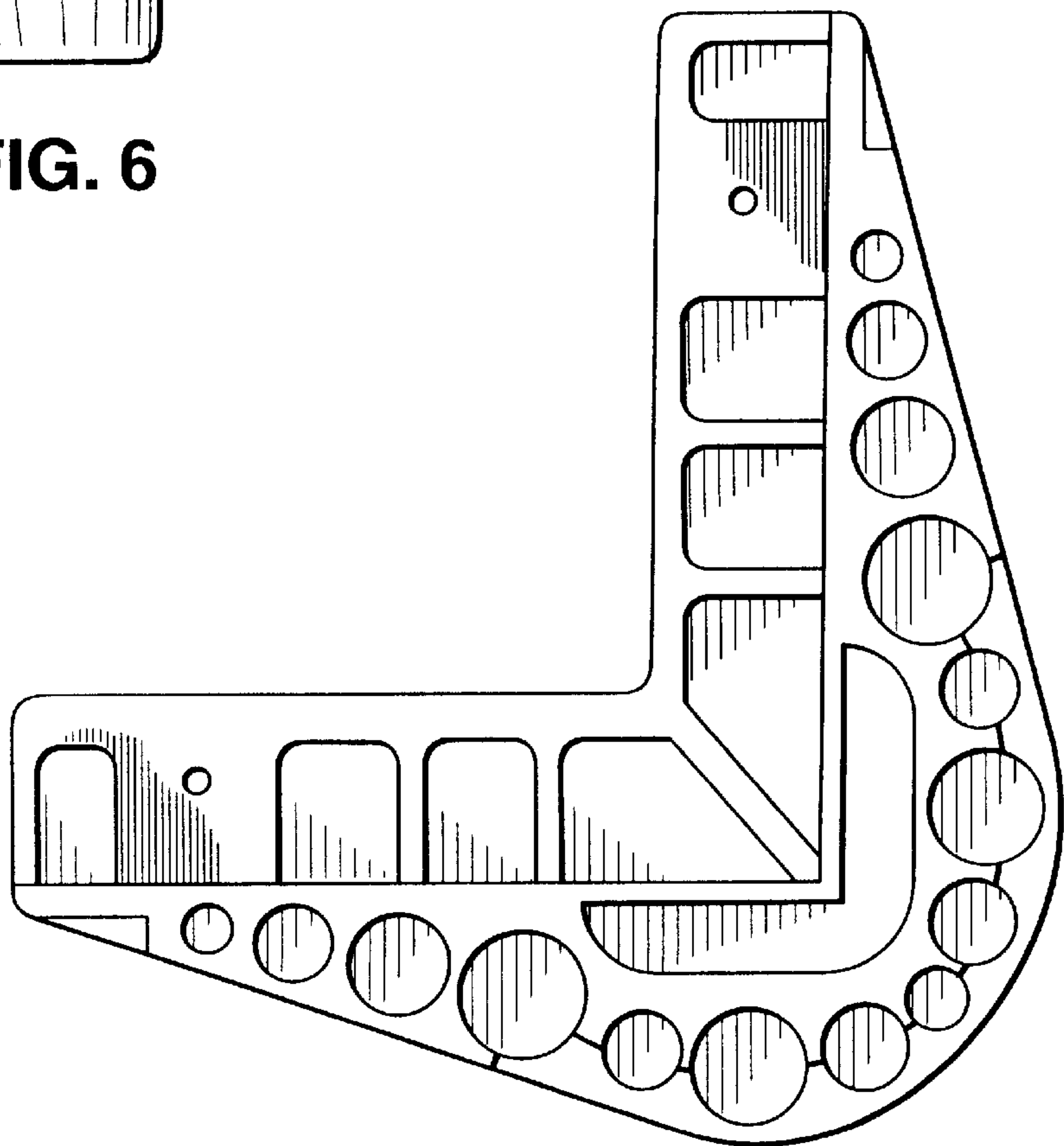


FIG. 7