



US00D431771S

United States Patent [19]
Westerfield

[11] **Patent Number: Des. 431,771**

[45] **Date of Patent: ** Oct. 10, 2000**

[54] **PULLEY**

D. 314,905 2/1991 Kehm D8/360
D. 400,084 10/1998 Wullimann D8/360

[75] Inventor: **David A. Westerfield**, San Diego, Calif.

Primary Examiner—Holly Baynham
Attorney, Agent, or Firm—Perman & Green, LLP

[73] Assignee: **PrePak Products, Inc.**, Oceanside, Calif.

[57] **CLAIM**

[**] Term: **14 Years**

I claim the ornamental design of a pulley, as shown and described.

[21] Appl. No.: **29/113,328**

DESCRIPTION

[22] Filed: **Nov. 2, 1999**

[51] **LOC (7) Cl.** **08-05**

FIG. 1 is a top, front and right side perspective view showing my new design;

[52] **U.S. Cl.** **D8/360**

FIG. 2 is a top plan view thereof;

[58] **Field of Search** D8/360; 254/390, 254/396, 401, 409; 211/119.04–119.05

FIG. 3 is a left side elevation view thereof, the right side being a mirror image thereof;

[56] **References Cited**

FIG. 4 is a front elevation view thereof, the rear being a mirror image thereof; and,

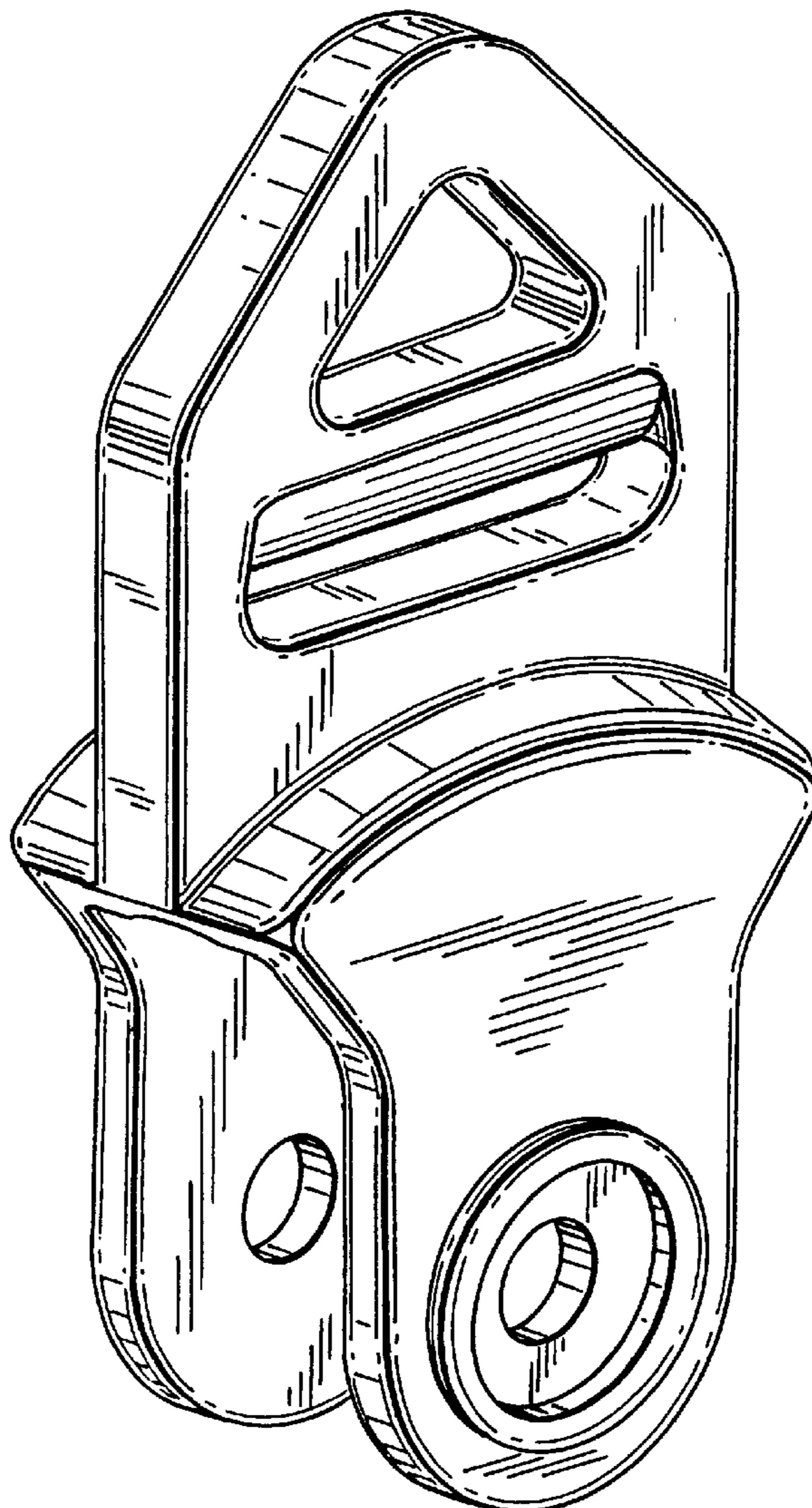
U.S. PATENT DOCUMENTS

FIG. 5 is a bottom plan view thereof.

D. 44,016 5/1913 Mallory D8/360

D. 293,881 1/1988 Hartlmeier et al. D8/360

1 Claim, 2 Drawing Sheets



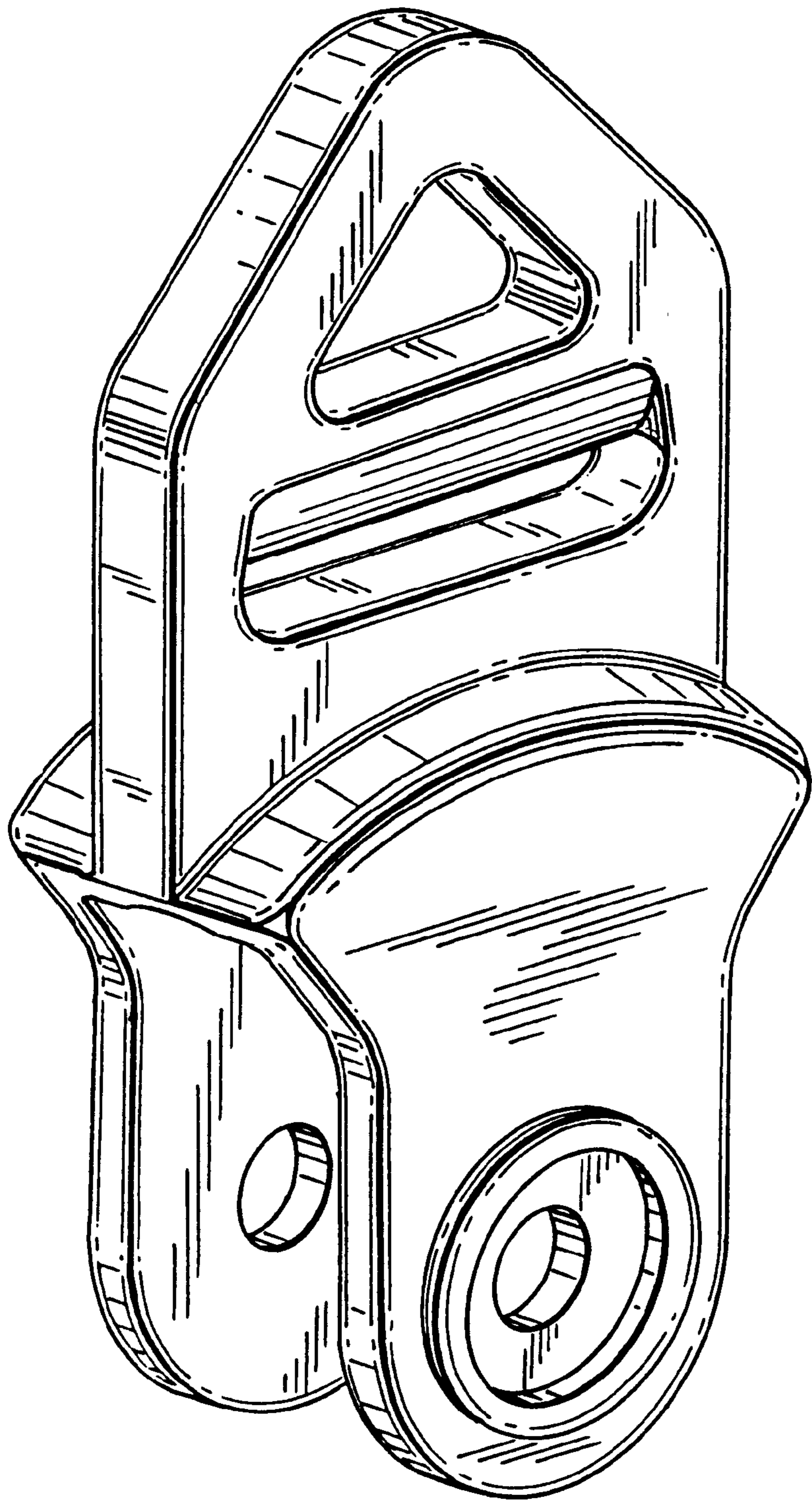


FIG. 1

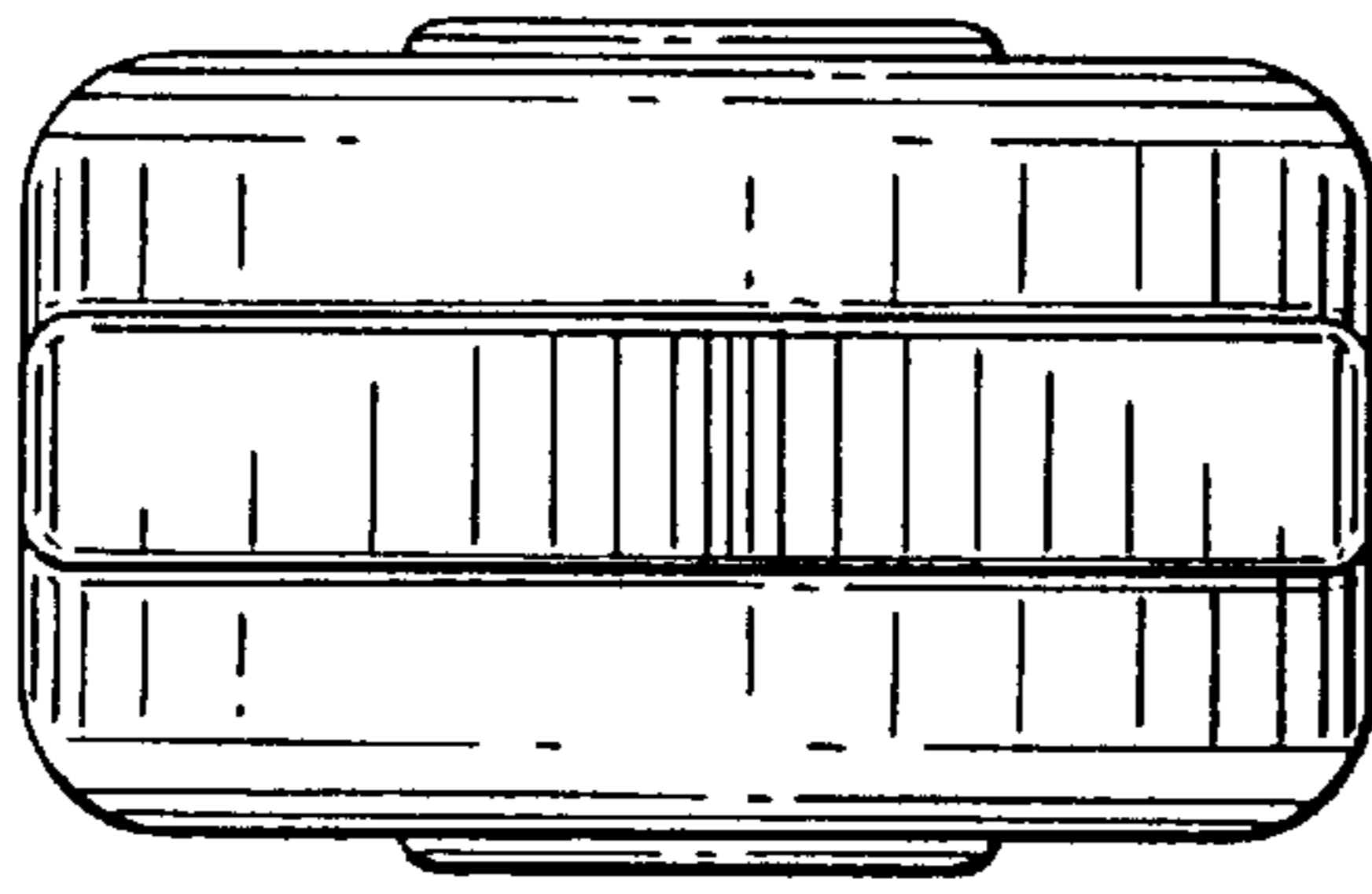


FIG. 2

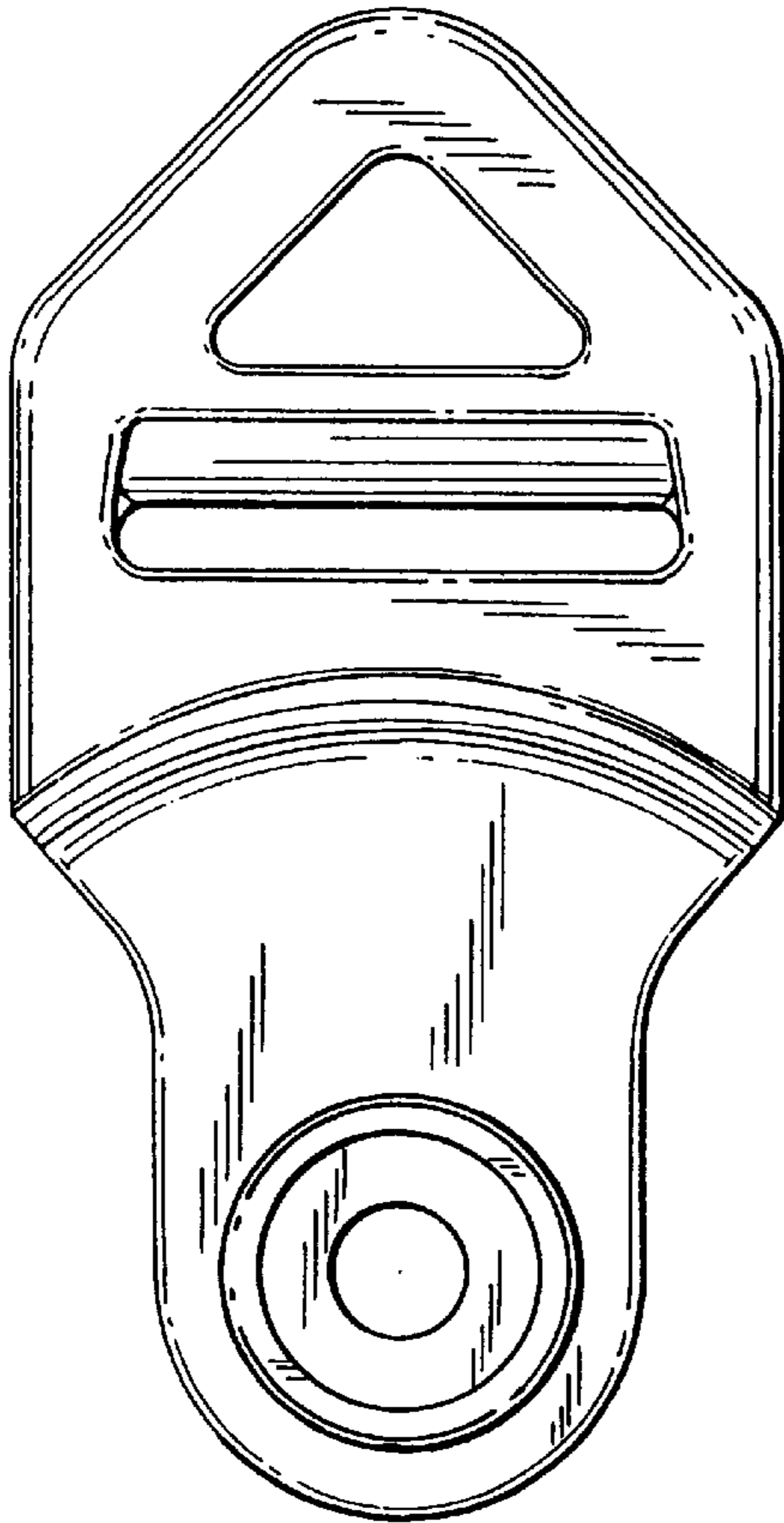


FIG. 3

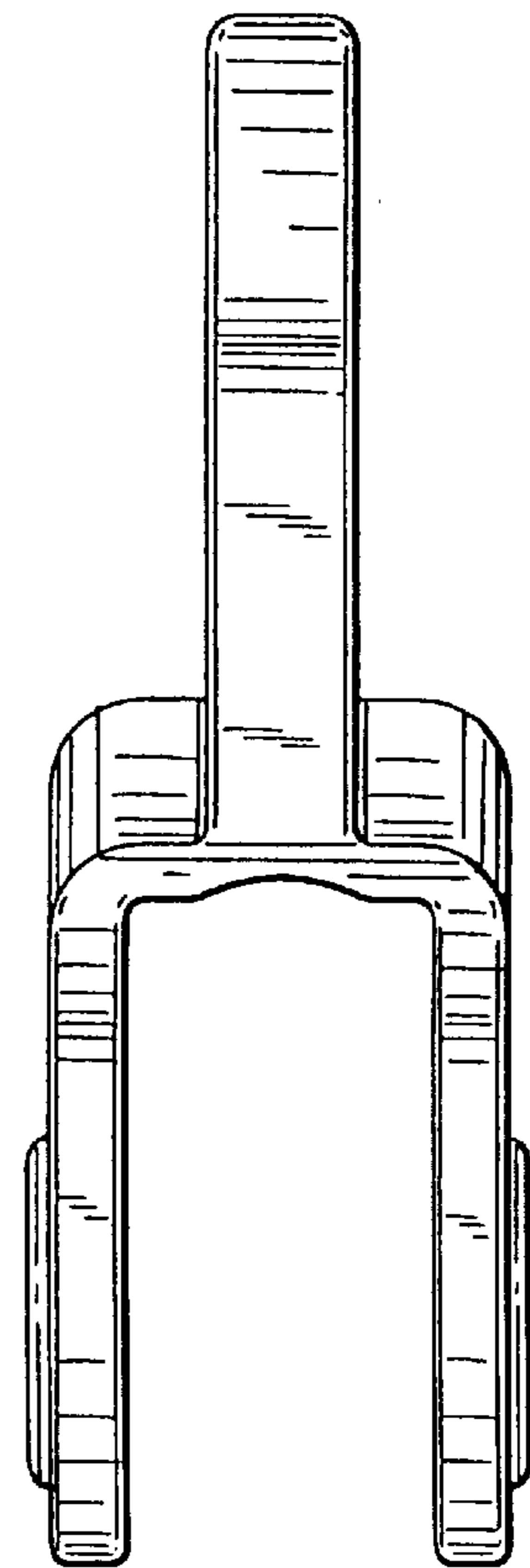


FIG. 4

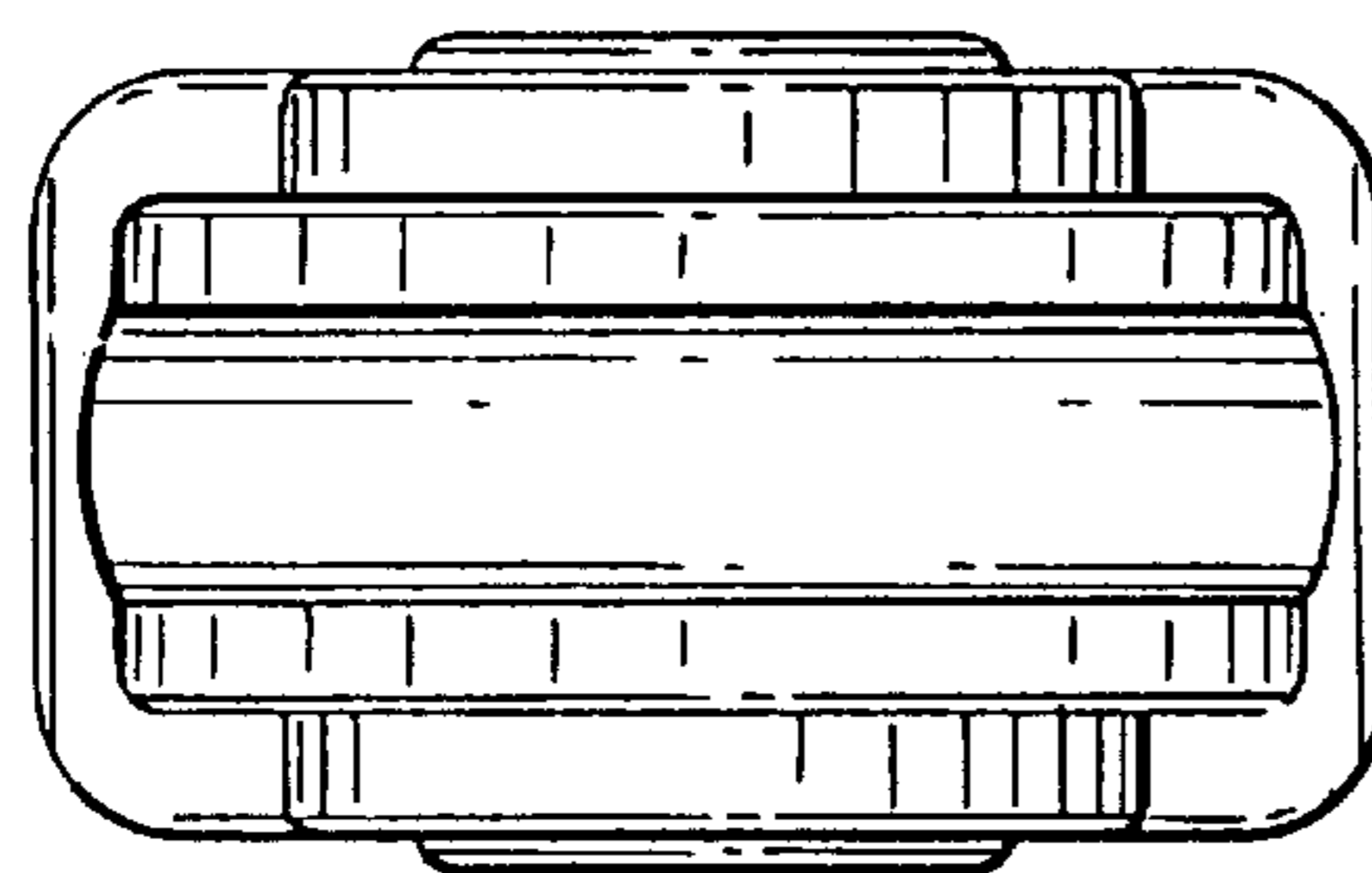


FIG. 5