



US00D431770S

United States Patent [19] Willet

[11] **Patent Number: Des. 431,770**

[45] **Date of Patent: ** Oct. 10, 2000**

[54] **END BEARING PLATE**

5,992,497 11/1999 Jaehnen et al. 160/201

[75] Inventor: **Scott Willet**, Andover, Minn.

Primary Examiner—Alan P. Douglas
Assistant Examiner—Reid Hecker
Attorney, Agent, or Firm—Burd, Bartz & Gutenkauf

[73] Assignee: **Industrial Door Co., Inc**, Coon Rapids, Minn.

[**] Term: **14 Years**

[57] **CLAIM**

The ornamental design for an end bearing plate, as shown and described.

[21] Appl. No.: **29/116,520**

[22] Filed: **Jan. 3, 2000**

DESCRIPTION

[51] **LOC (7) Cl.** **08-05**

[52] **U.S. Cl.** **D8/354**

[58] **Field of Search** D8/349, 354, 366,
D8/382; D12/223; 16/94 R, 97; 160/181,
201; 248/300, 544, 558, 214, 911; 403/394;
49/346

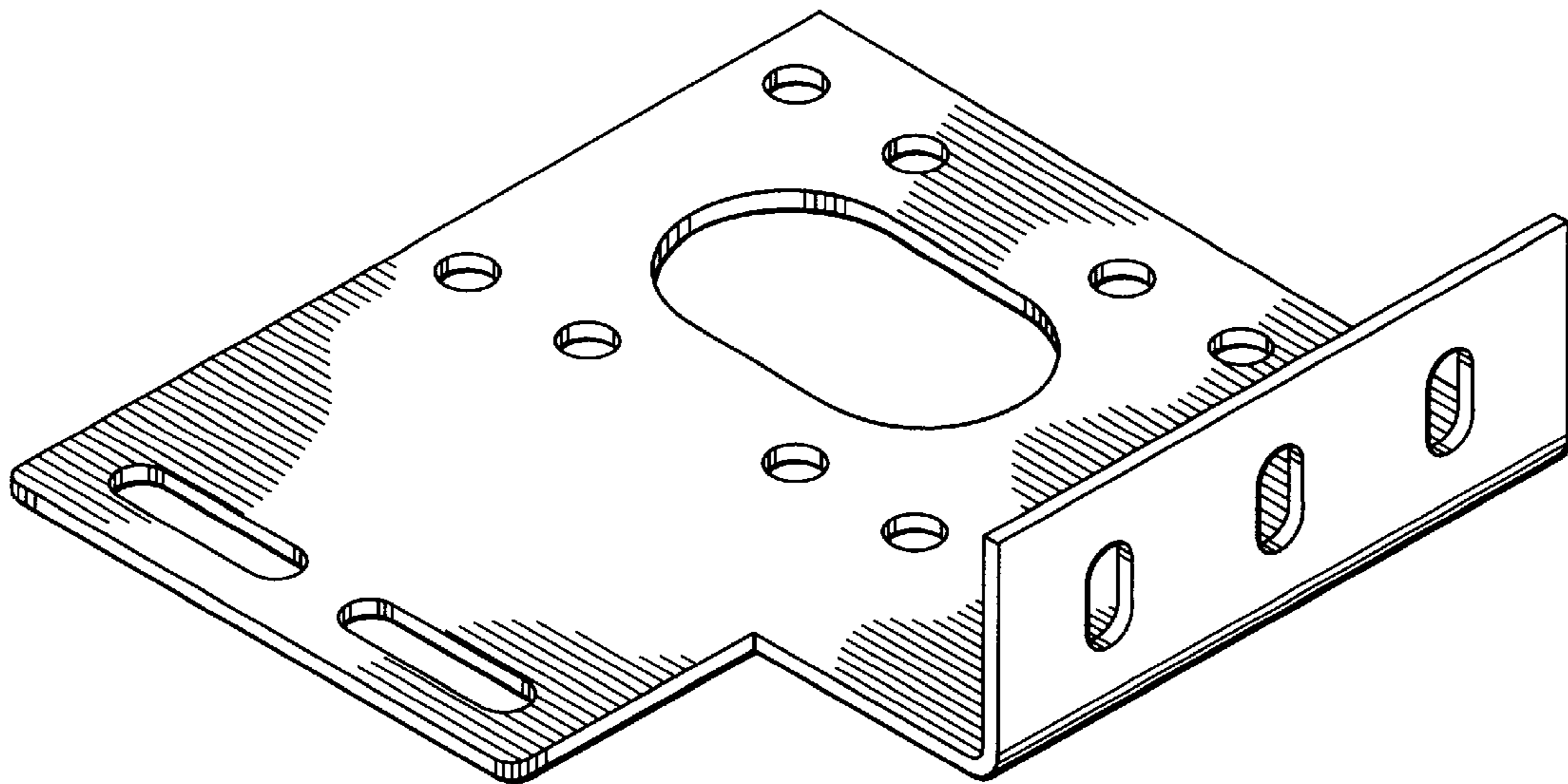
FIG. 1 is a perspective view of an end bearing plate of my new design;
FIG. 2 is a side elevational view of the right side thereof;
FIG. 3 is a side elevational view of the left side thereof;
FIG. 4 is a front elevational view thereof;
FIG. 5 is a rear elevational view thereof;
FIG. 6 is a top plan view thereof;
FIG. 7 is a bottom plan view thereof;
FIG. 8 is a perspective view of a second embodiment of the end bearing plate of FIG. 1;
FIG. 9 is a side elevational view of the right side of FIG. 8;
FIG. 10 is a side elevational view of the left side of FIG. 8;
FIG. 11 is a front elevational view of FIG. 8;
FIG. 12 is a rear elevational view of FIG. 8;
FIG. 13 is a top plan view of FIG. 8; and,
FIG. 14 is a bottom plan view of FIG. 8.

[56] **References Cited**

U.S. PATENT DOCUMENTS

D. 371,506	7/1996	Nofziger	D8/354
D. 419,430	1/2000	Williams	D8/382
3,185,424	5/1965	Sloop	248/300
5,174,539	12/1992	Leonard	248/300
5,240,216	8/1993	Lin et al.	248/300
5,392,562	2/1995	Carambula	49/346
5,636,678	6/1997	Carper et al.	
5,810,303	9/1998	Bourassa et al.	248/300

1 Claim, 4 Drawing Sheets



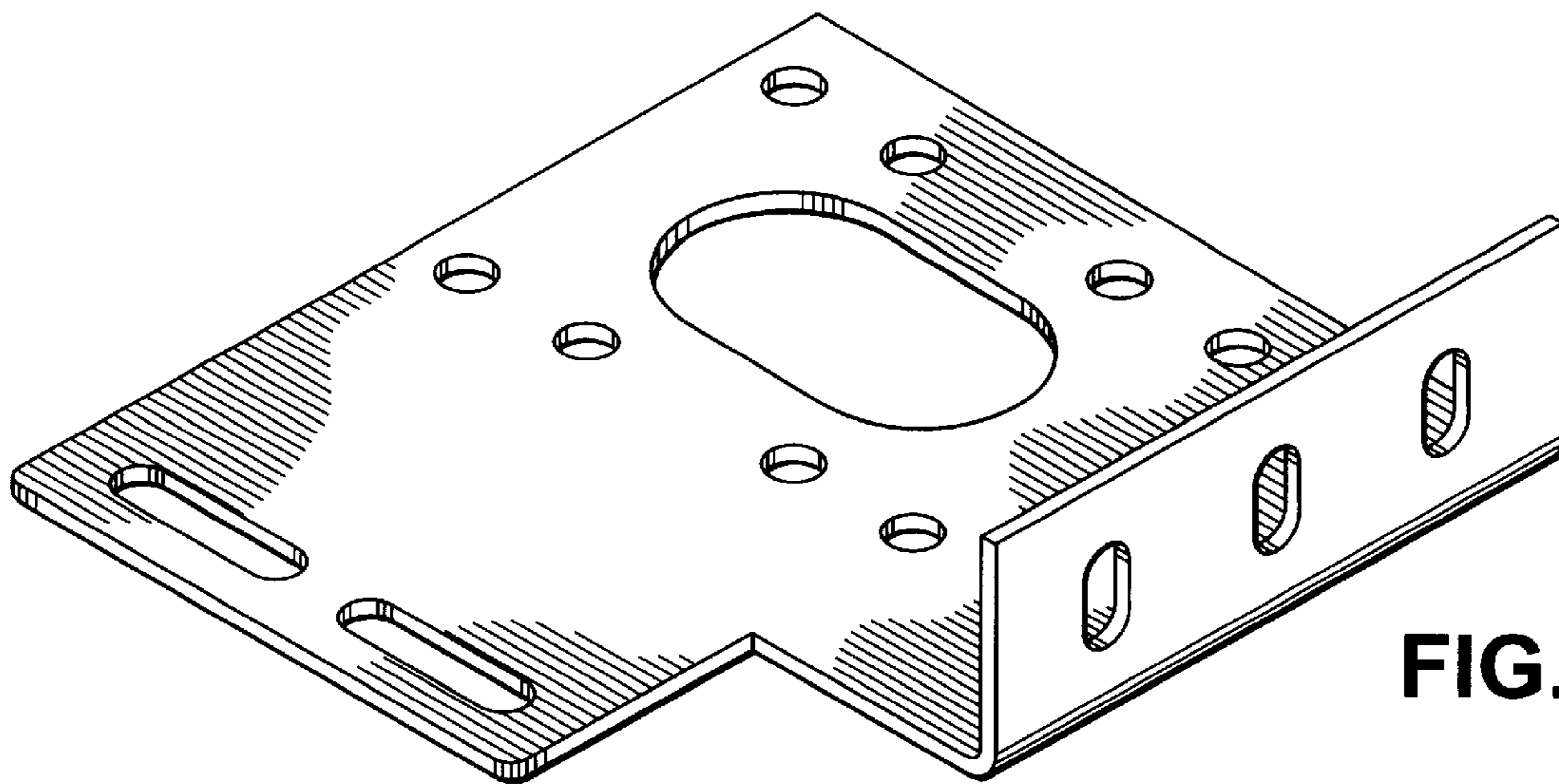


FIG. 1

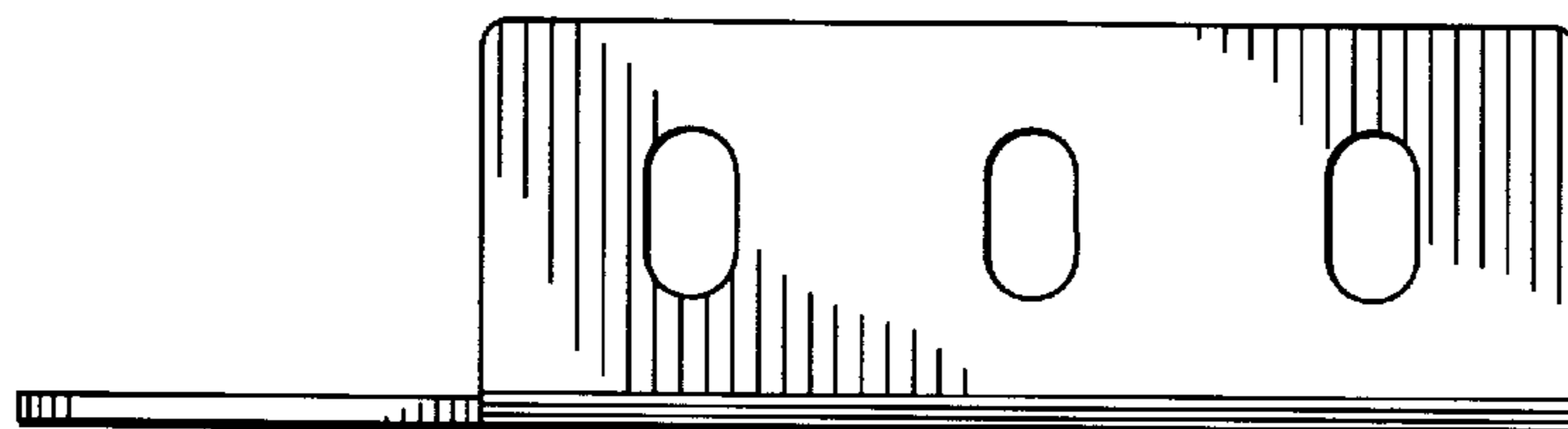


FIG. 2

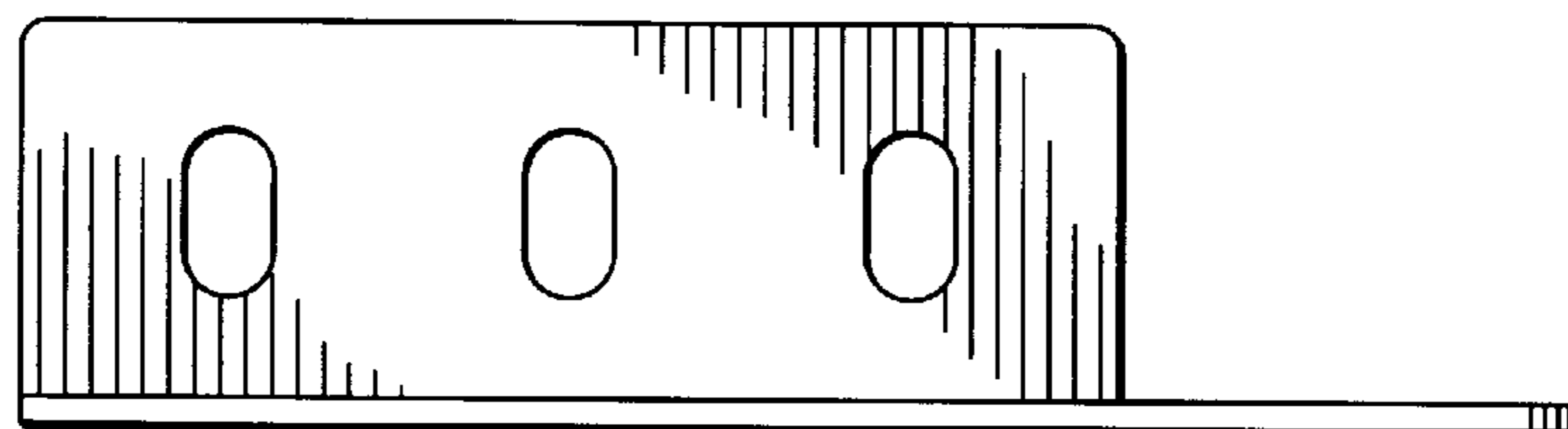


FIG. 3



FIG. 4

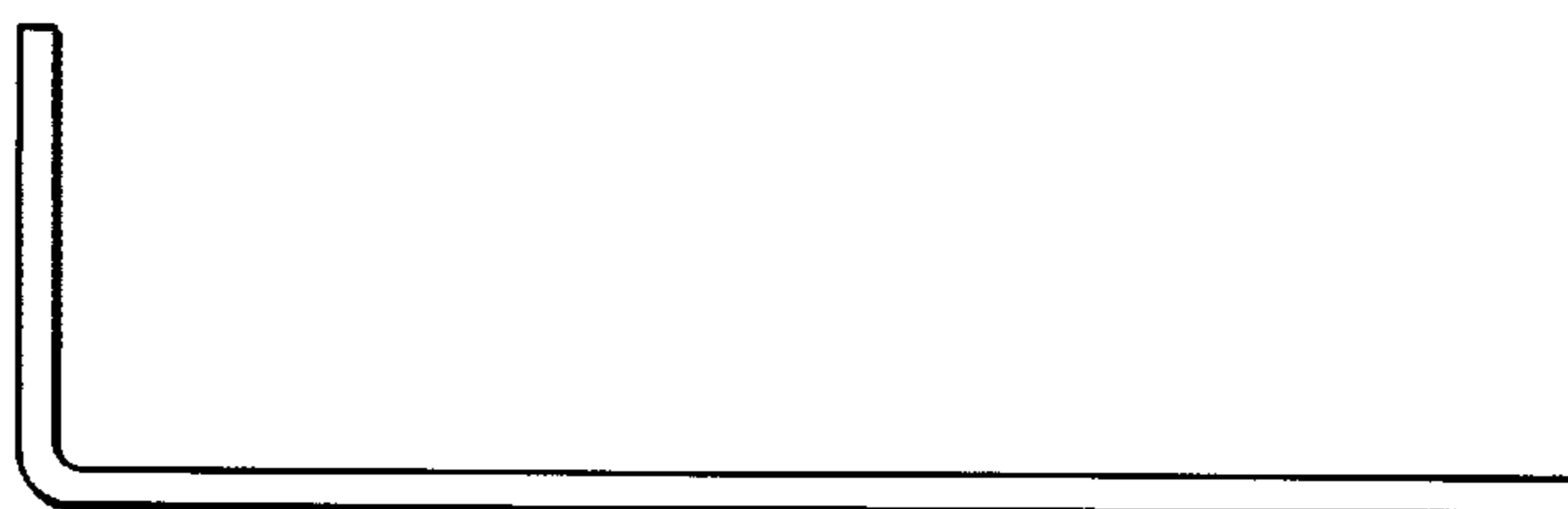


FIG. 5

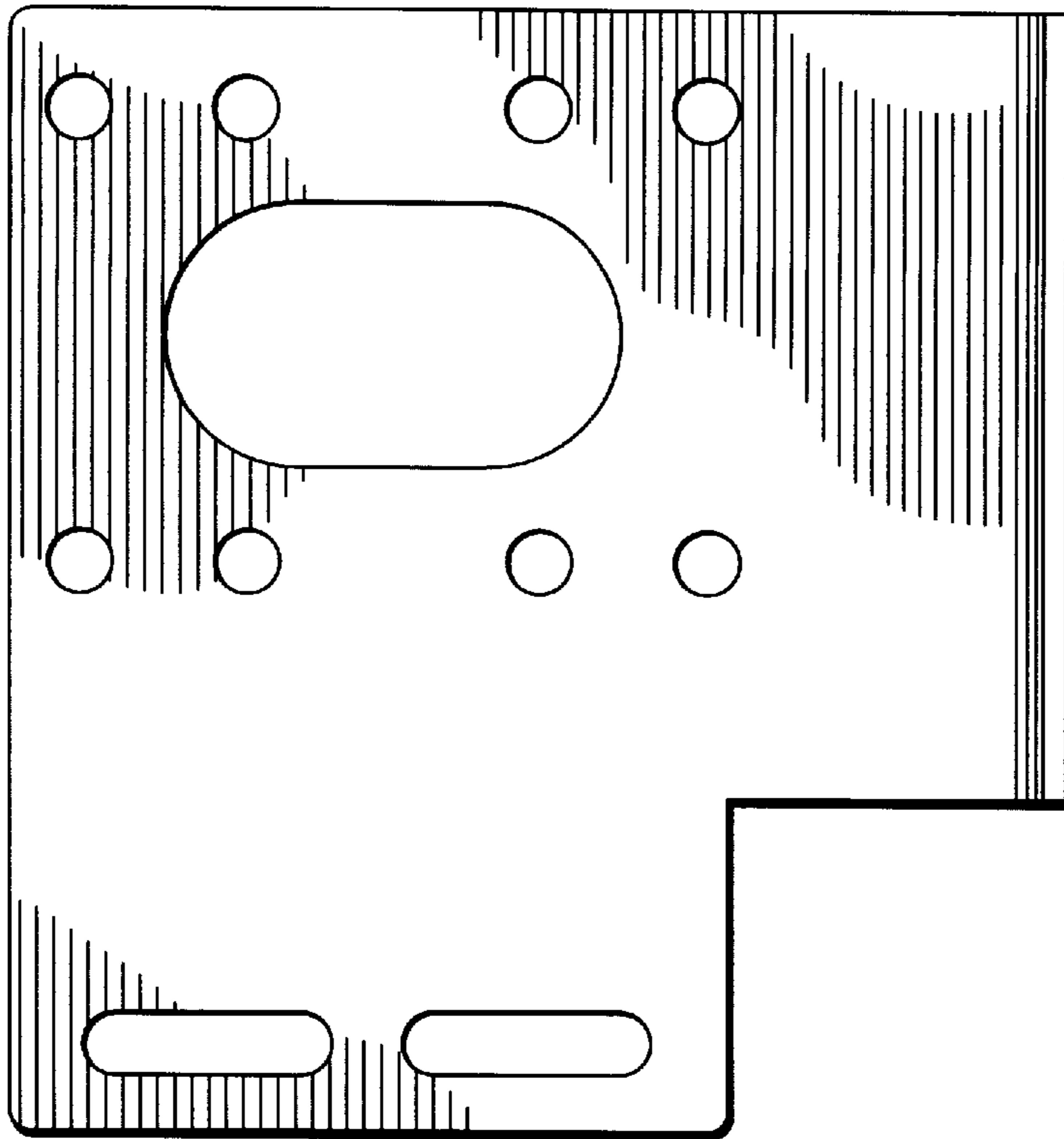


FIG. 6

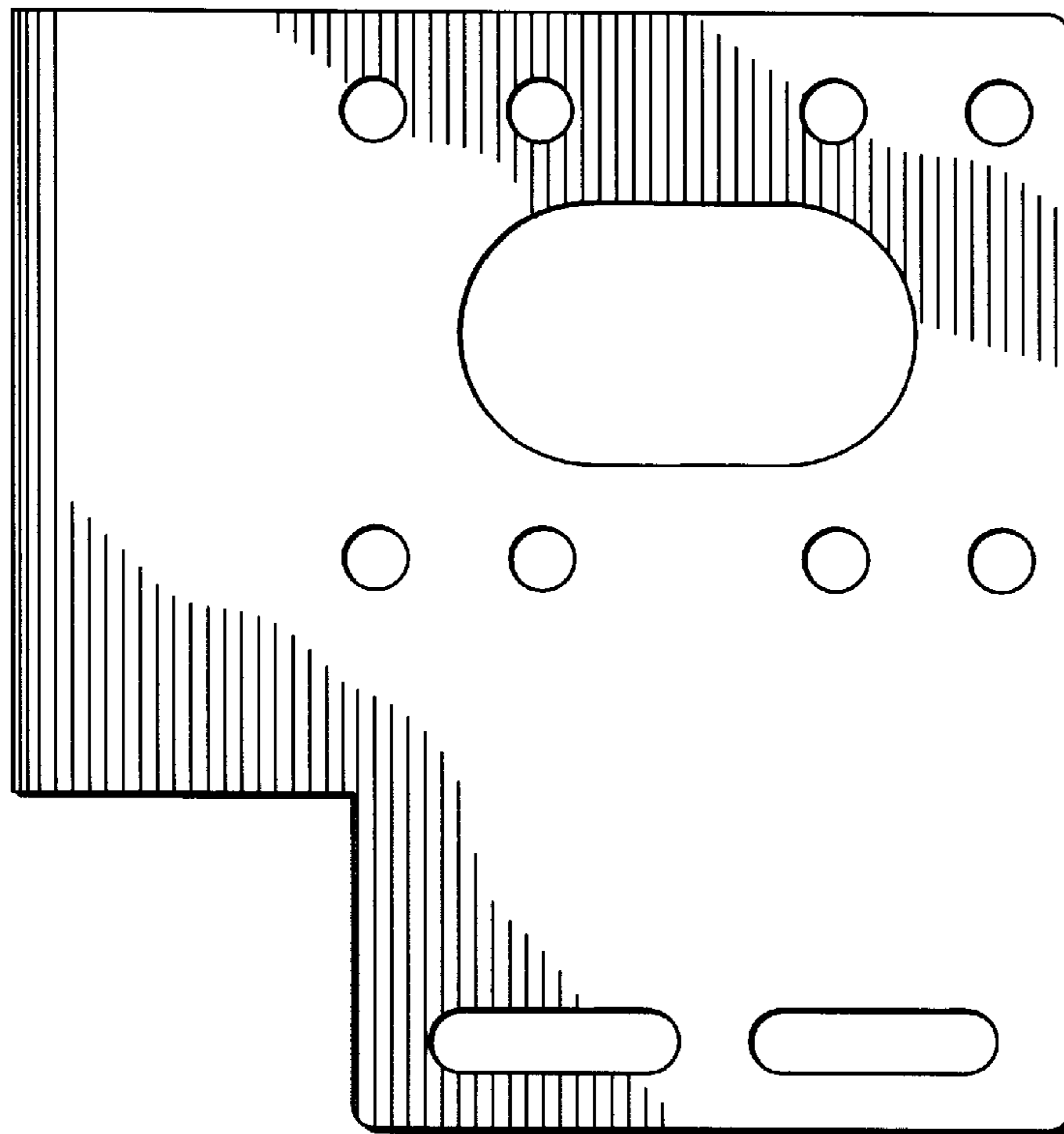


FIG. 7

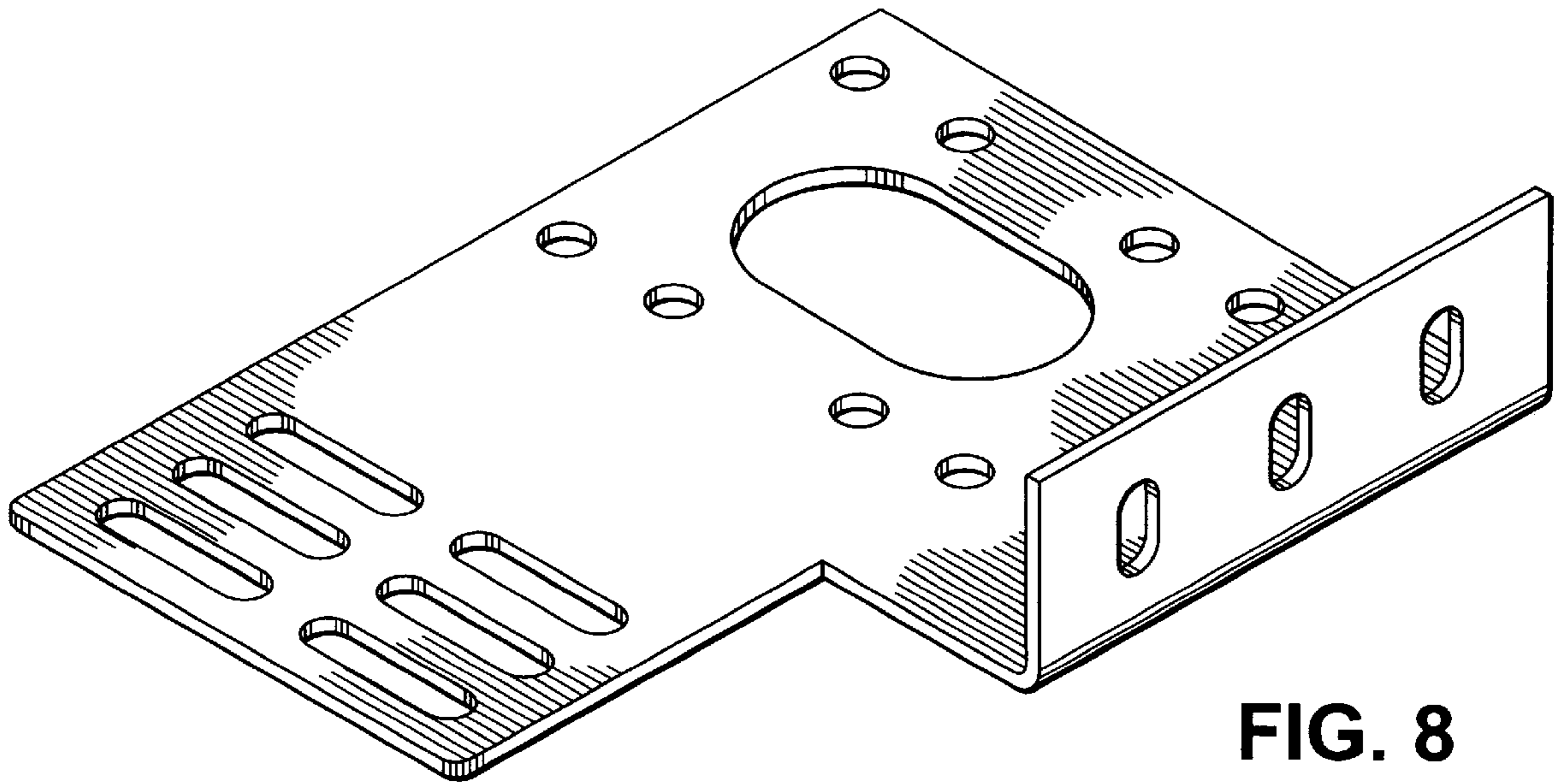


FIG. 8

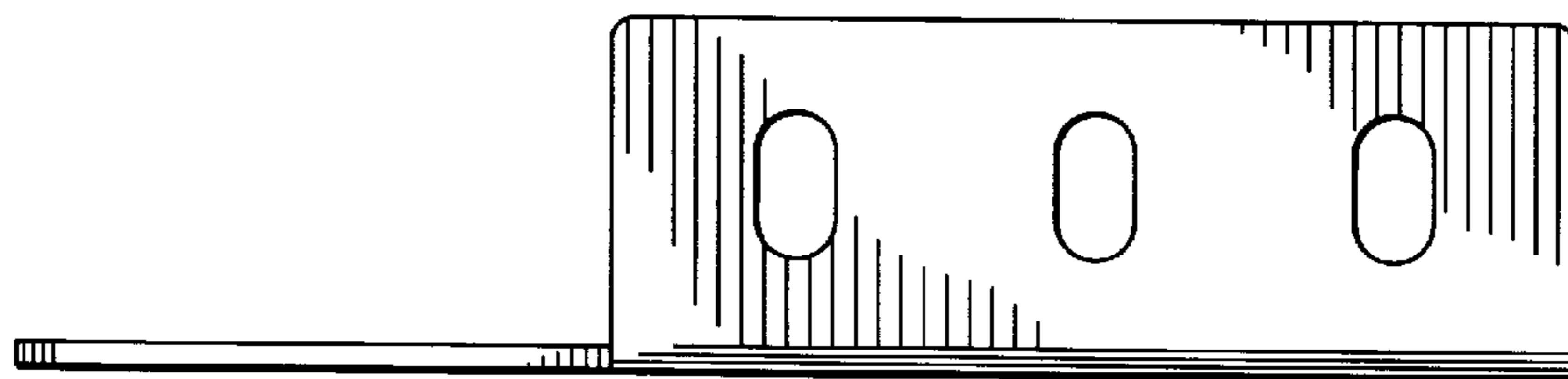


FIG. 9

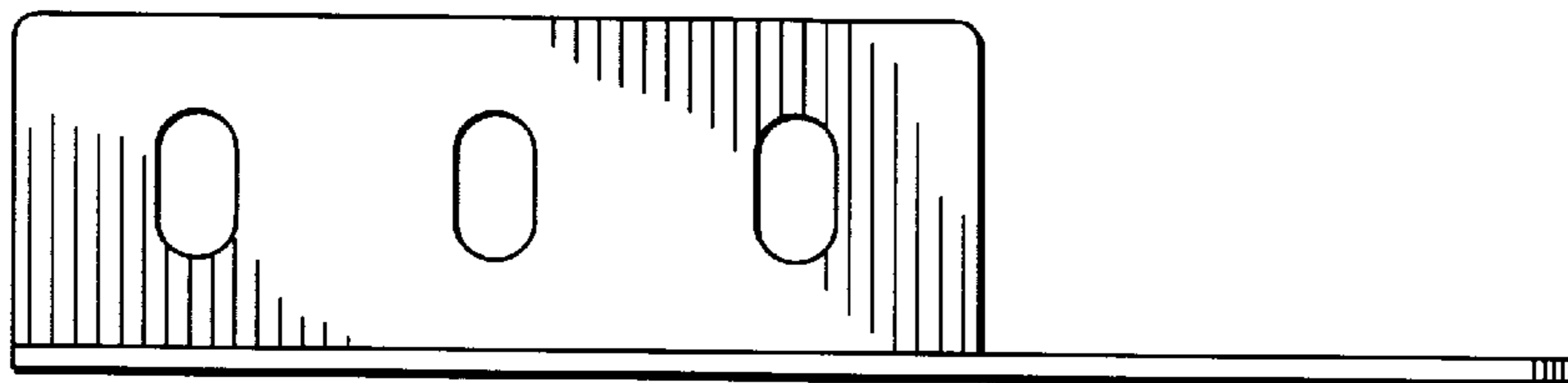


FIG. 10

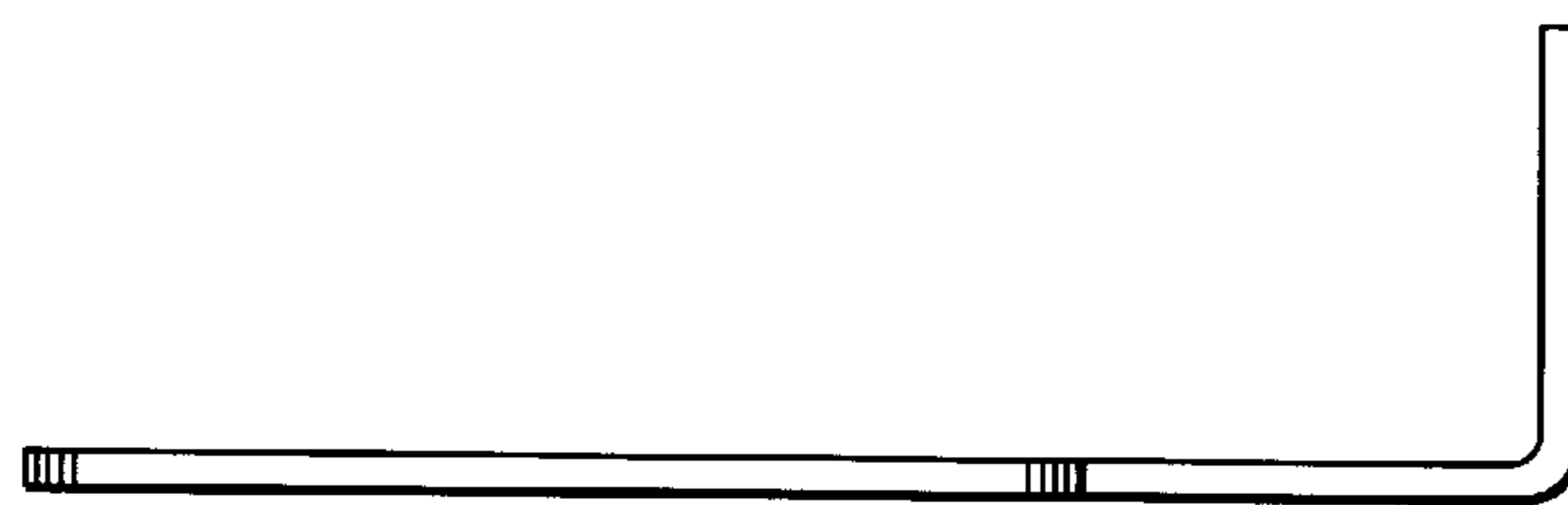


FIG. 11



FIG. 12

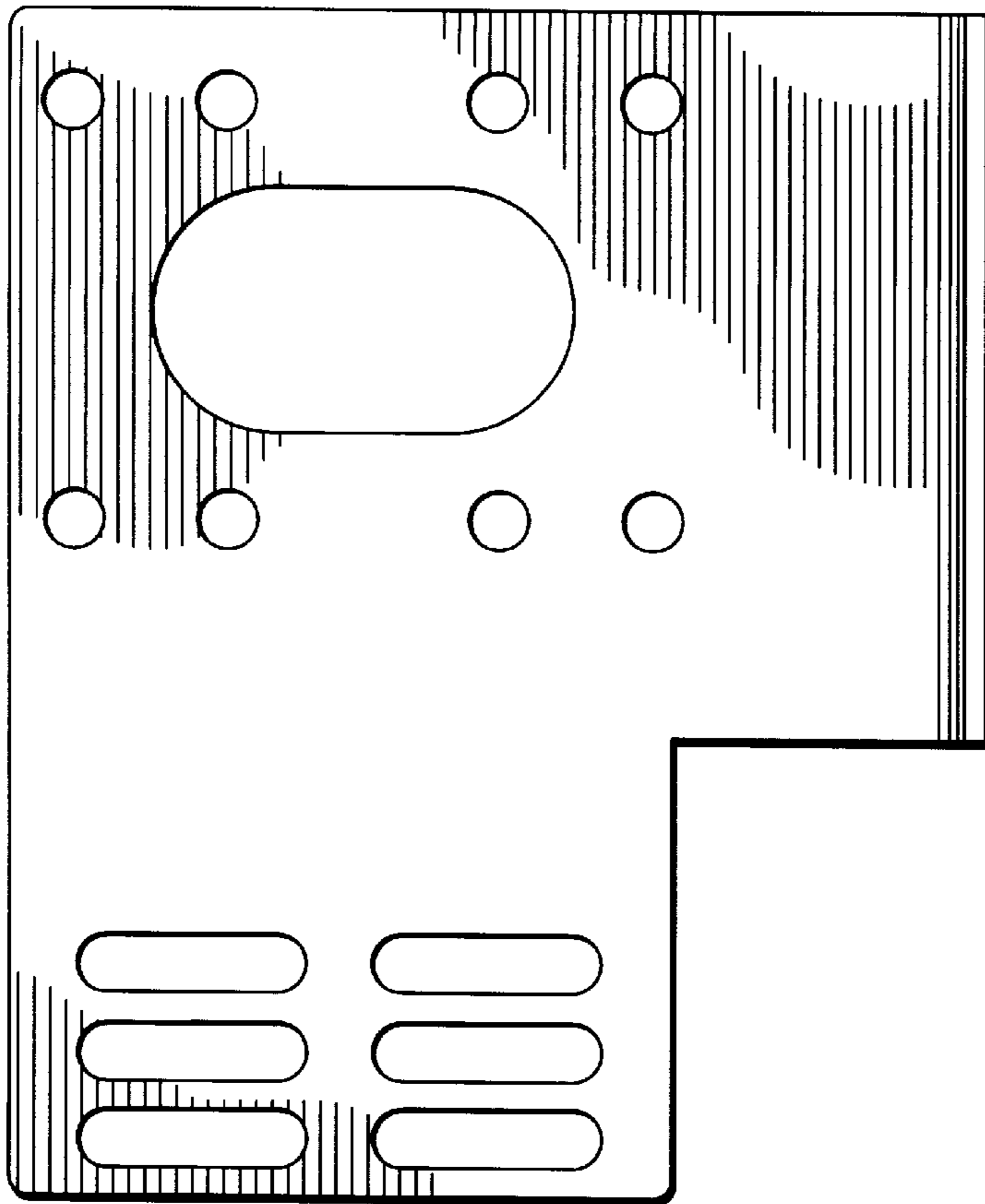


FIG. 13

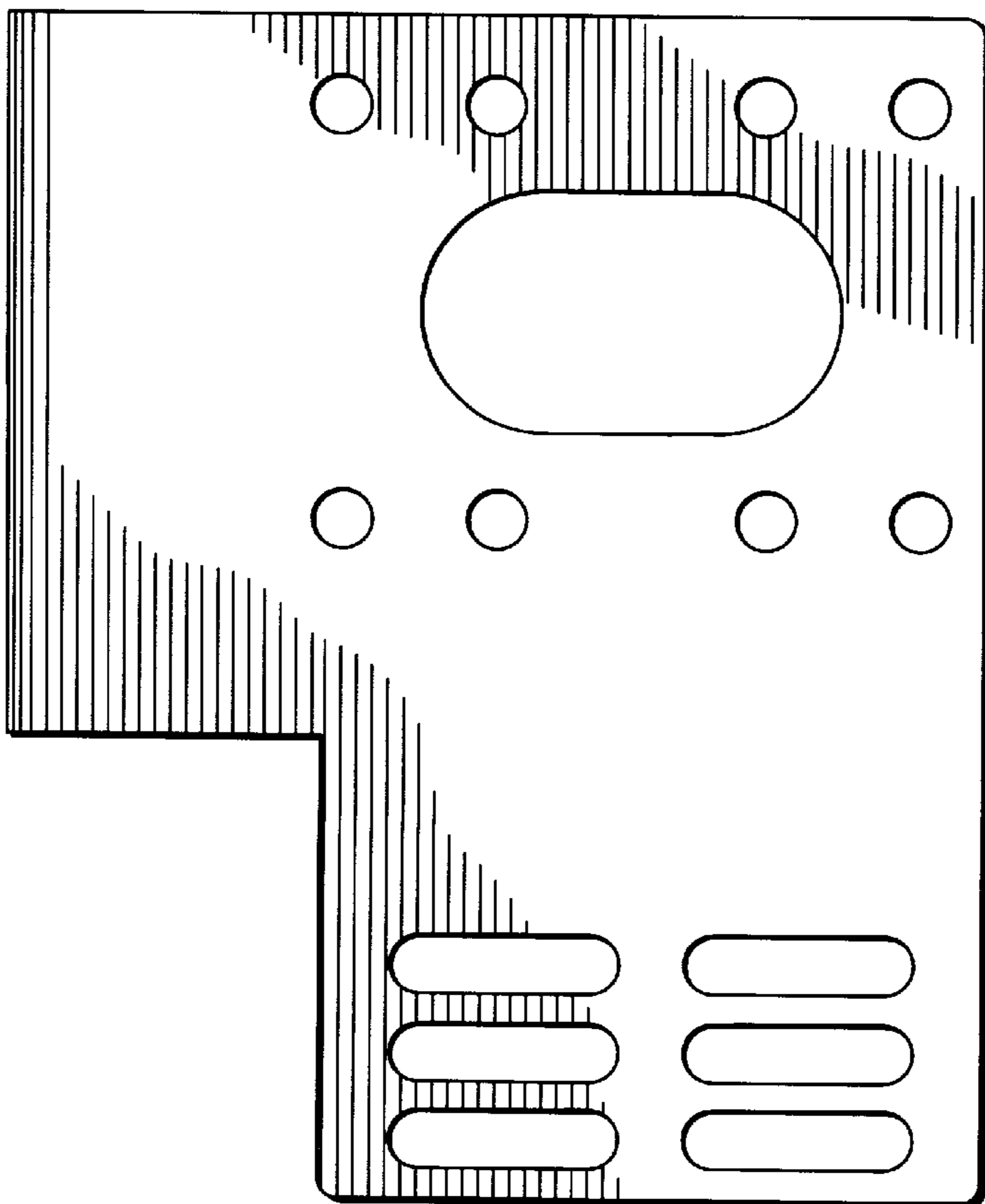


FIG. 14