



US00D431769S

**United States Patent** [19]  
**Gast**

[11] **Patent Number: Des. 431,769**

[45] **Date of Patent: \*\* Oct. 10, 2000**

[54] **RIBBED HOUSING FOR LOCK**

*Attorney, Agent, or Firm*—William G. Lane

[75] Inventor: **Robert L. Gast**, Irvine, Calif.

[57] **CLAIM**

[73] Assignee: **Hampton Products International**,  
Foothill Ranch, Calif.

The ornamental design for the ribbed housing for lock, as shown and described.

[\*\*] Term: **14 Years**

**DESCRIPTION**

[21] Appl. No.: **29/105,496**

FIG. 1 is a top perspective view of the ribbed housing for lock of the present invention;

[22] Filed: **May 26, 1999**

FIG. 2 is a bottom perspective view of the ribbed housing for lock of FIG. 1;

[51] **LOC (7) Cl.** ..... **08-07**

FIG. 3 is a front elevation view of the ribbed housing for lock of FIG. 1; the back elevation view is a mirror image;

[52] **U.S. Cl.** ..... **D8/346; D8/334**

FIG. 4 is an elevation view of the right side of the ribbed housing for lock of FIG. 1;

[58] **Field of Search** ..... D8/333, 334, 343,  
D8/346; 70/14, 20–25, 31, 35, 38 A, 38 B,  
38 C, 41, 51, 52, 54, 55, 56

FIG. 5 is an elevation view of the left side of the ribbed housing for lock of FIG. 1;

[56] **References Cited**

FIG. 6 is a top plan view of the ribbed housing for lock of FIG. 1; and,

**U.S. PATENT DOCUMENTS**

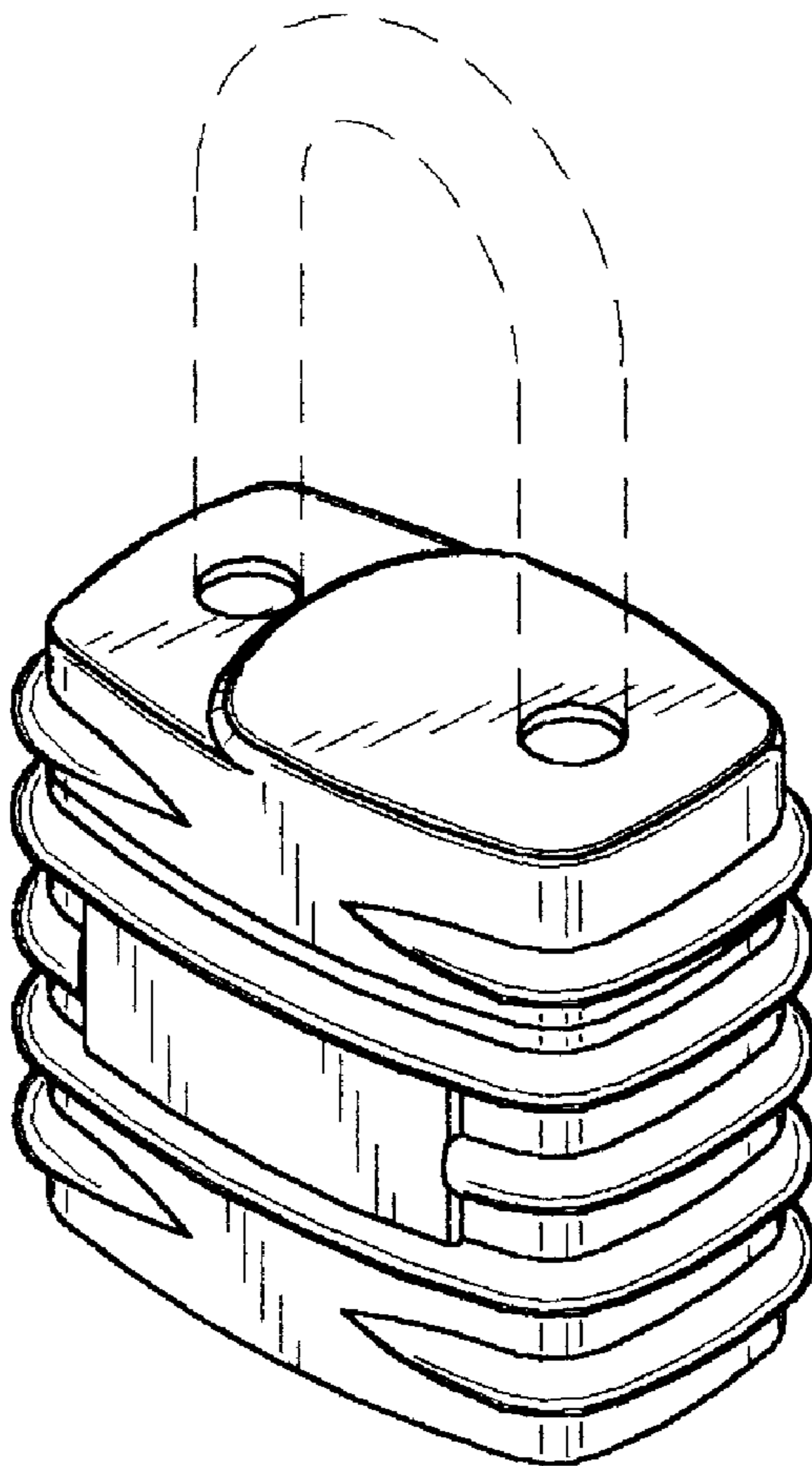
FIG. 7 is a bottom plan view of the ribbed housing for lock of FIG. 1.

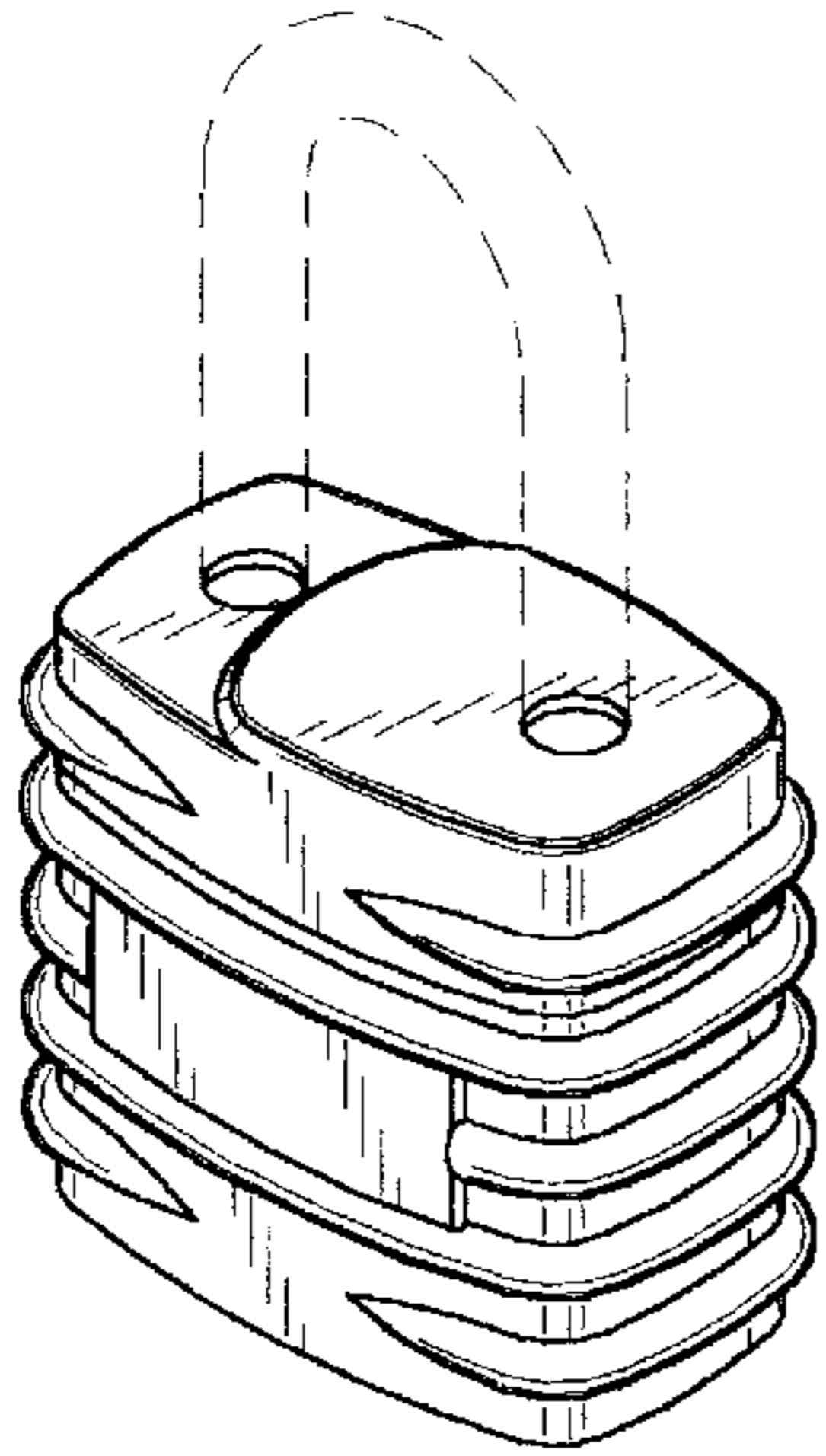
D. 115,761	7/1939	Frain	.....	D8/334
D. 402,532	12/1998	Turner	.....	D8/346
D. 408,262	4/1999	Liu	.....	D8/334
1,881,809	10/1932	Maxwell	.....	70/38 A

The phantom line disclosures of the shackles are shown for illustrative purposes only and form no part of the claimed design.

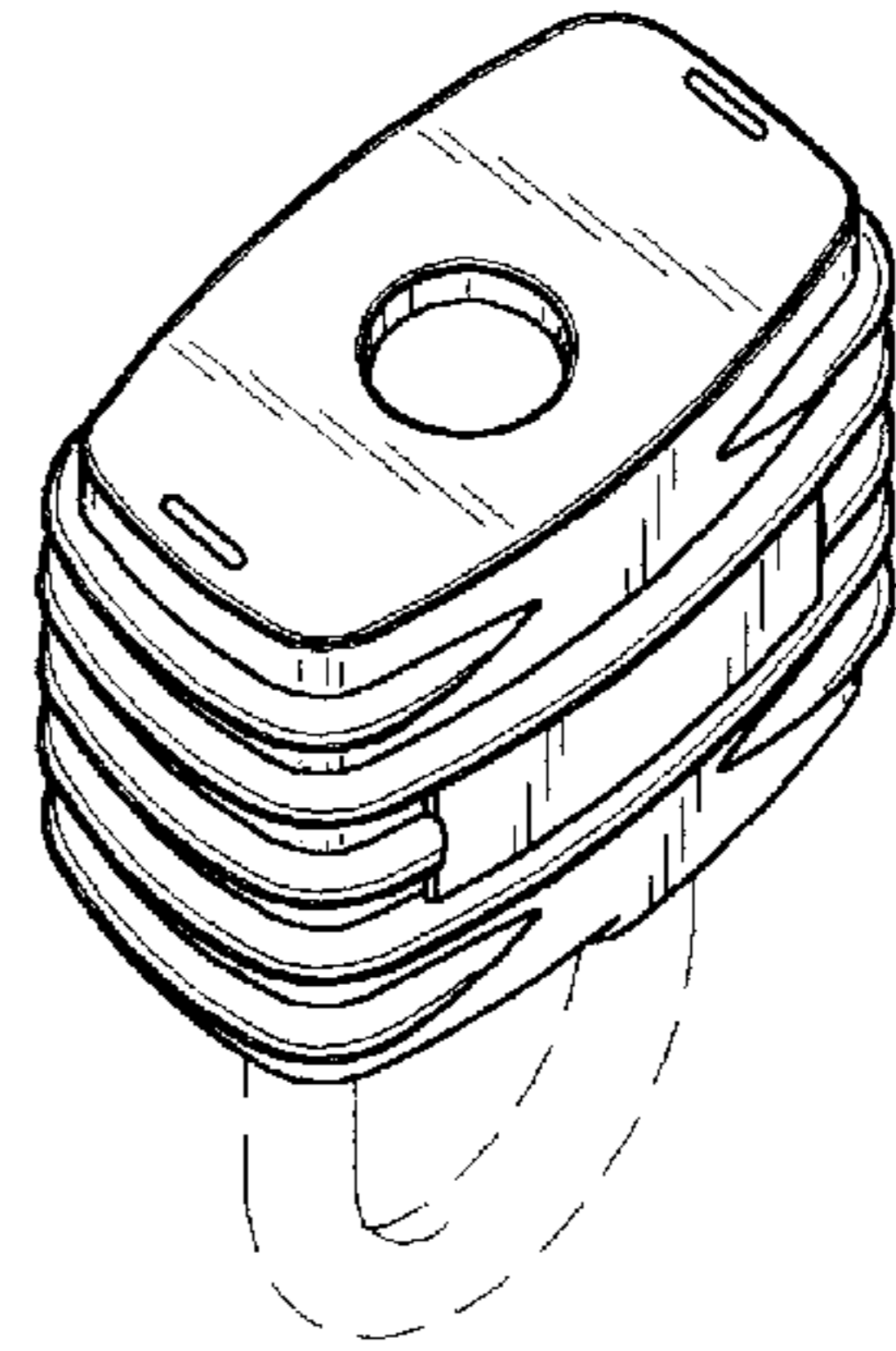
*Primary Examiner*—Susan J. Lucas  
*Assistant Examiner*—Jennifer Rivard

**1 Claim, 1 Drawing Sheet**

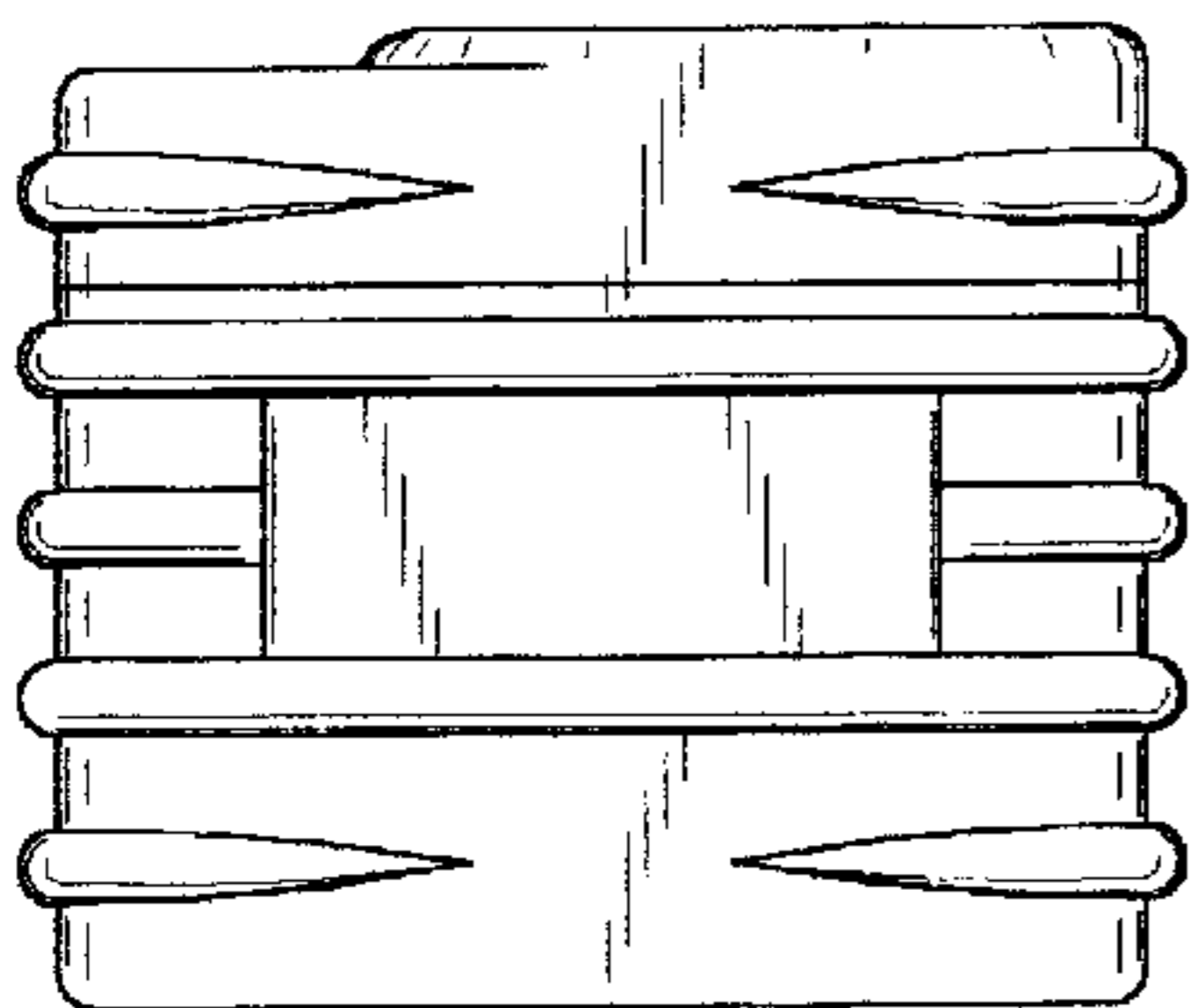




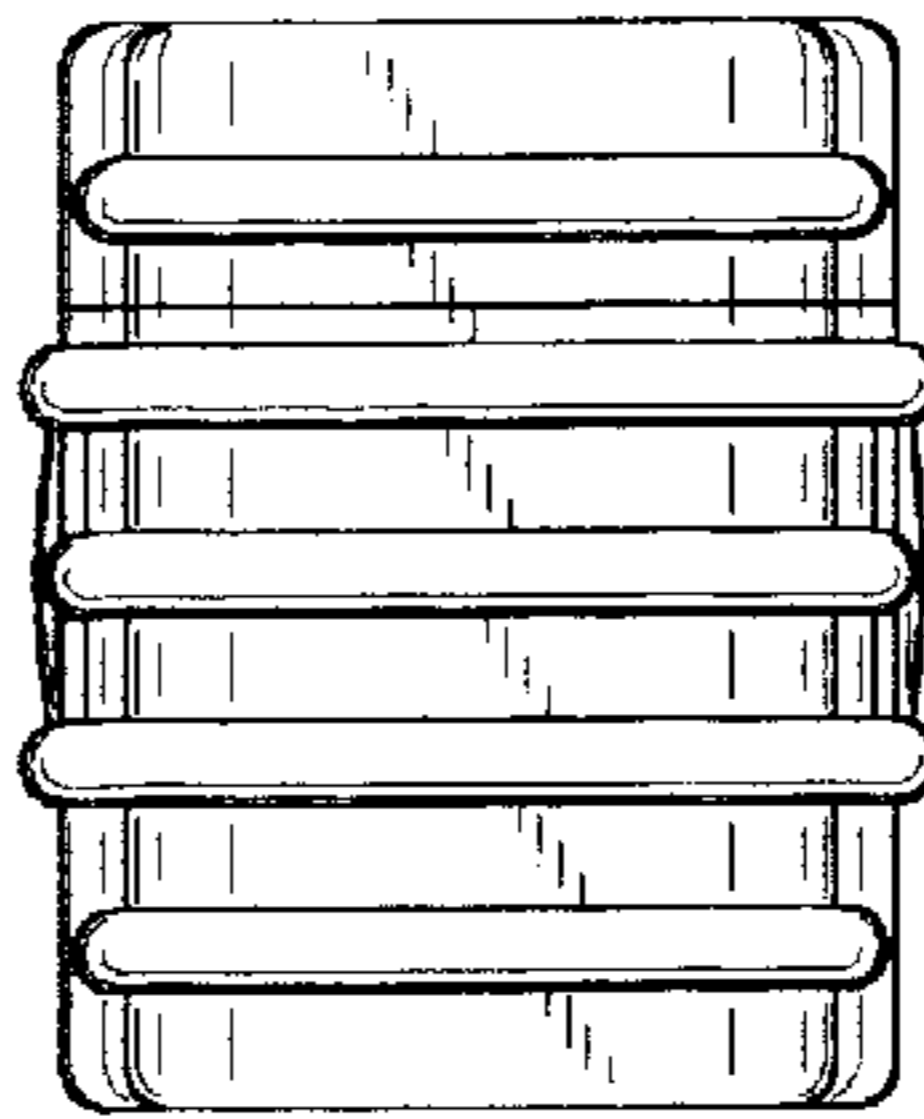
*Fig. 1*



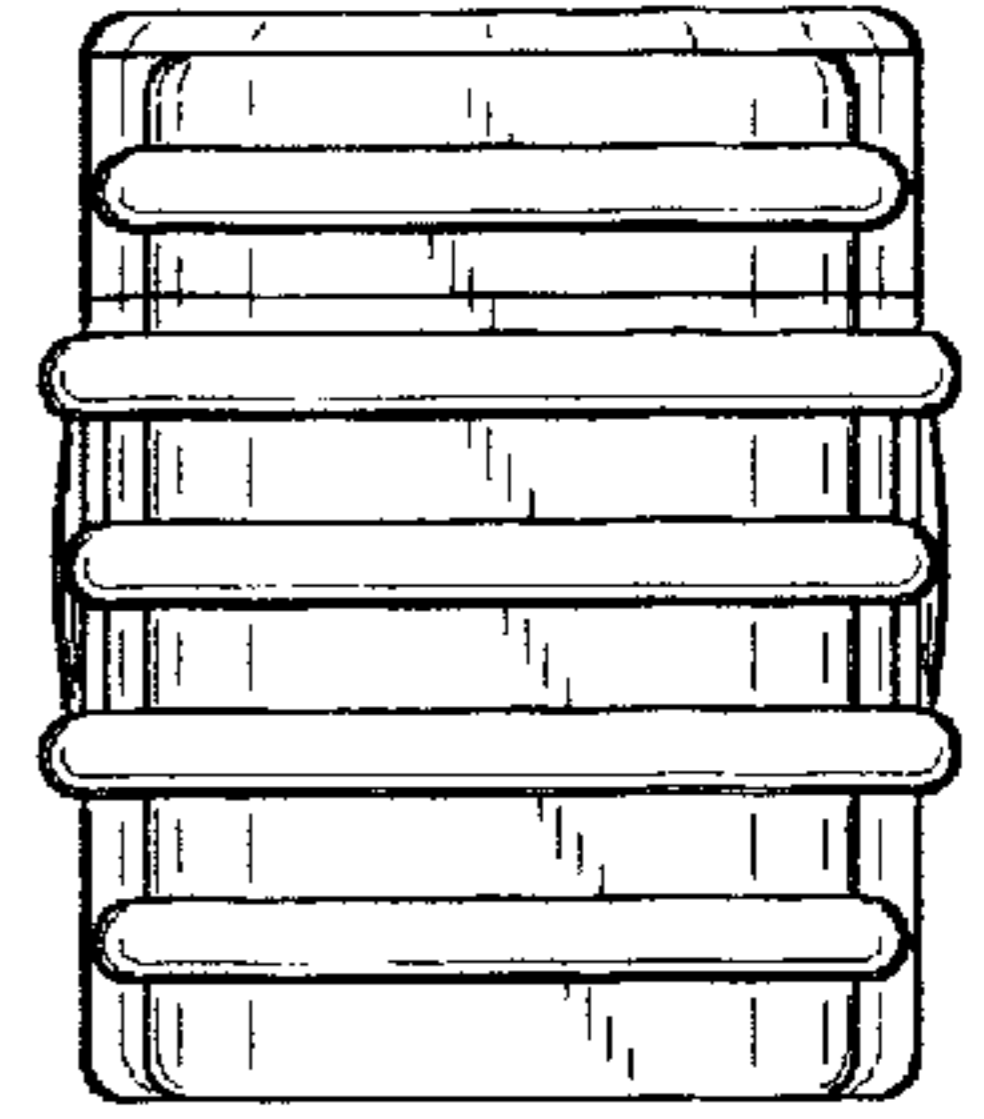
*Fig. 2*



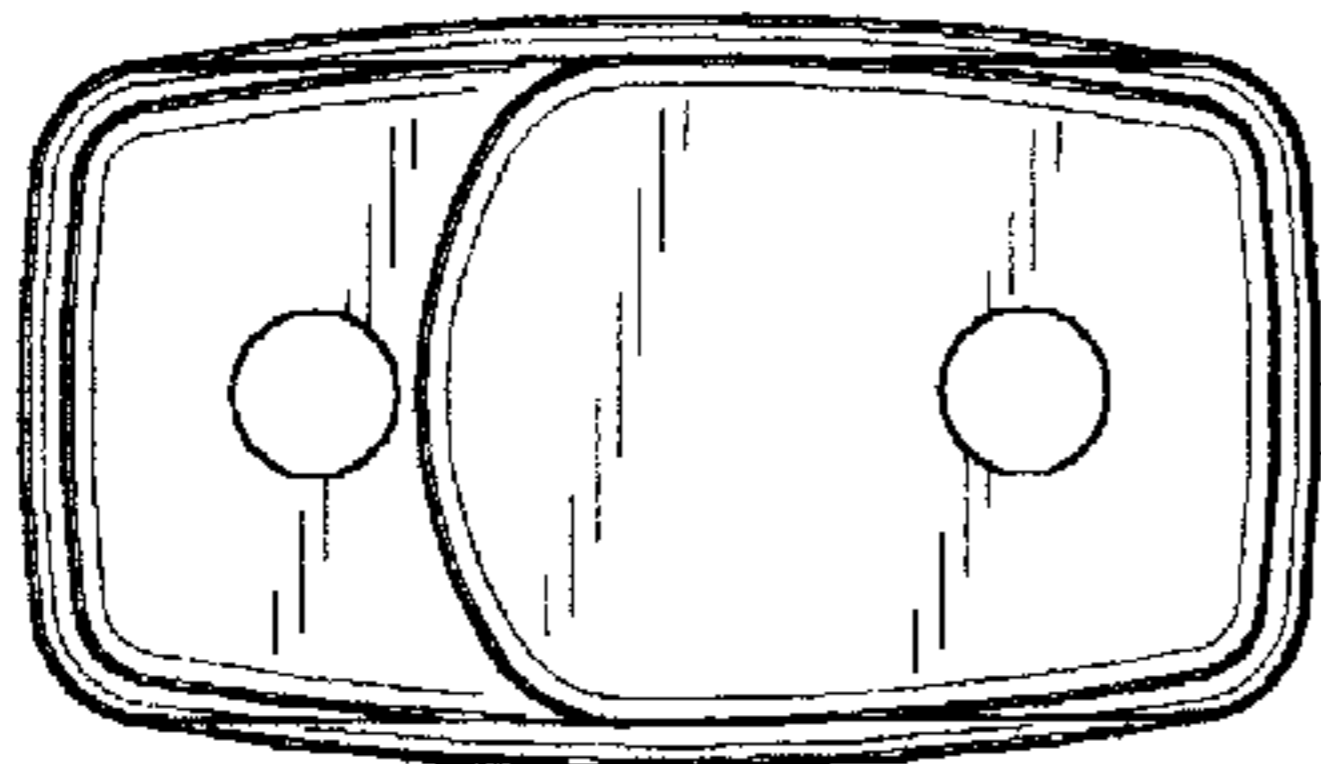
*Fig. 3*



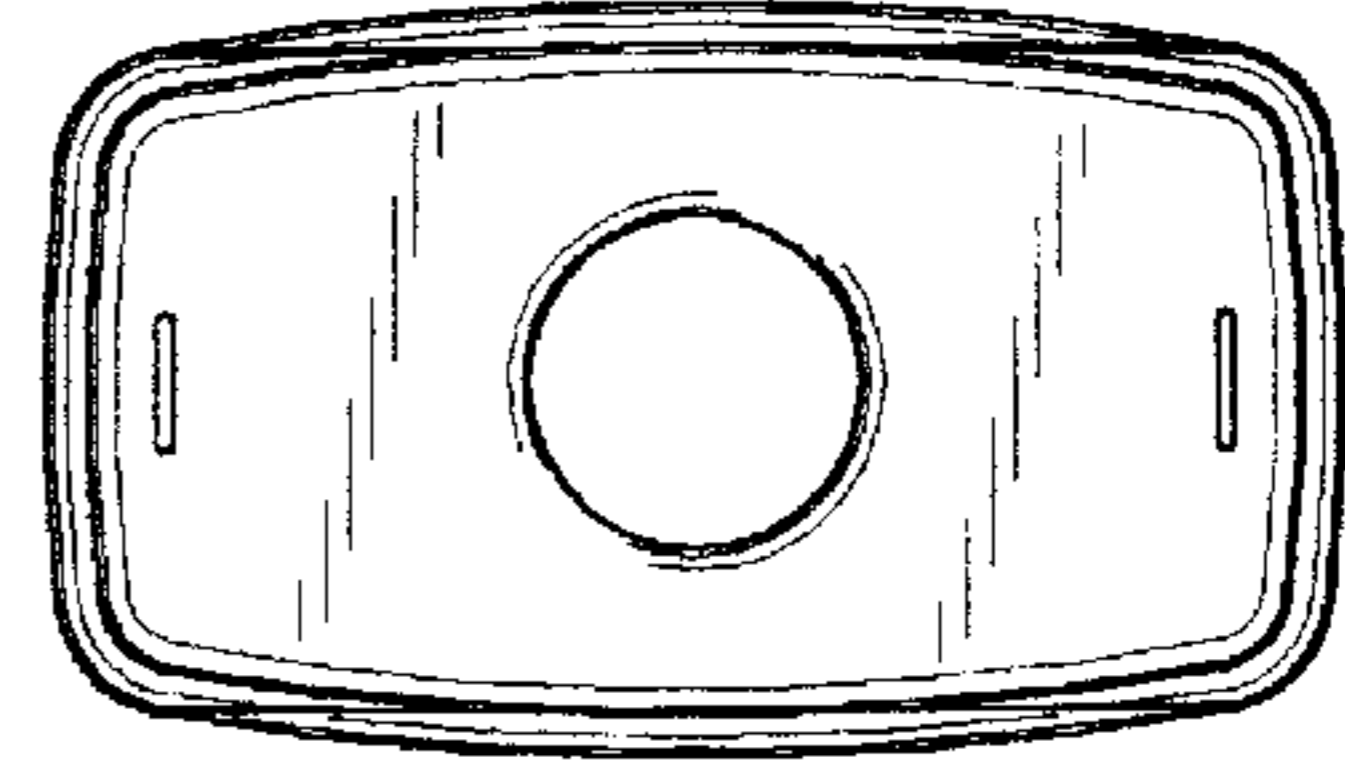
*Fig. 4*



*Fig. 5*



*Fig. 6*



*Fig. 7*