



US00D431766S

# United States Patent [19]

Zurwelle

[11] Patent Number: Des. 431,766

[45] Date of Patent: \*\* Oct. 10, 2000

[54] DRILL

[75] Inventor: Donald W. Zurwelle, Lutherville, Md.

[73] Assignee: Black & Decker Inc., Newark, Del.

[\*\*] Term: 14 Years

9006457	9/1991	Germany .
9202280	10/1992	Germany .
9303874	11/1993	Germany .
9505998	1/1996	Germany .
9600476	7/1996	Germany .
9605582	3/1997	Germany .
6822U	3/1998	Germany .

[21] Appl. No.: 29/109,359

[22] Filed: Aug. 13, 1999

[51] LOC (7) Cl. .... 08-05

[52] U.S. Cl. .... D8/67; D8/68; D8/69

[58] Field of Search ..... D8/61, 62, 67, D8/68, 69, 70, 83, 86, 87, 107, 303, DIG. 7; 81/54, 52, 55, 57, 57.11, 57.14, 177.1, 177.85, 409, 436, 439, 489, 900, 901, DIG. 12; 408/120-122, 234, 241 R; 173/13, 19, 170, 171, 213, 217, 48, 109; 279/9.1, 142, 147, 149, 158

### [56] References Cited

#### U.S. PATENT DOCUMENTS

D. 198,230	5/1964	Babel	.....	D8/68
D. 239,814	5/1976	Putty	.....	D8/303
D. 320,918	10/1991	Mochida	.	
D. 337,712	7/1993	Cavedo	.....	D8/70
D. 341,533	11/1993	Karafuji et al.	.	
D. 349,029	7/1994	Matsunaga et al.	.	
D. 359,215	6/1995	Zurwelle	.....	D8/68
D. 403,939	1/1999	Zurwelle	.....	D8/87
3,837,409	9/1974	Consoli et al.	.....	173/48
4,930,583	6/1990	Fushiya et al.	.....	173/109

#### FOREIGN PATENT DOCUMENTS

008006	12/1986	Germany .
8900822	5/1990	Germany .

### OTHER PUBLICATIONS

Black & Decker Macho III Rotary Hammer, Form 1609, Received in PTO Jan. 18, 1980.

Red Head Model 747 Roto Stop Hammer, ITT Phillips Drill Division, Form 903, Printed in USA Mar. 1975, Received in PTO Oct. 13, 1975.

Wen Electric Drills, Model Nos. 710 and 810, Form 111, Printed Nov. 14, 1966, Received in PTO Feb. 13, 1967.

Panasonic Cordless Professional Power Tools Brochure, Published as early as Aug. 1993, showing cordless hammer drills and drill drivers.

Primary Examiner—Martie K. Holtje  
Attorney, Agent, or Firm—Charles E. Yocum; Michael P. Leary; Bruce S. Shapiro

### [57] CLAIM

The ornamental design for a drill, as shown and described.

### DESCRIPTION

FIG. 1 is a front elevational view of a drill showing my new design.

FIG. 2 is a rear elevational view thereof.

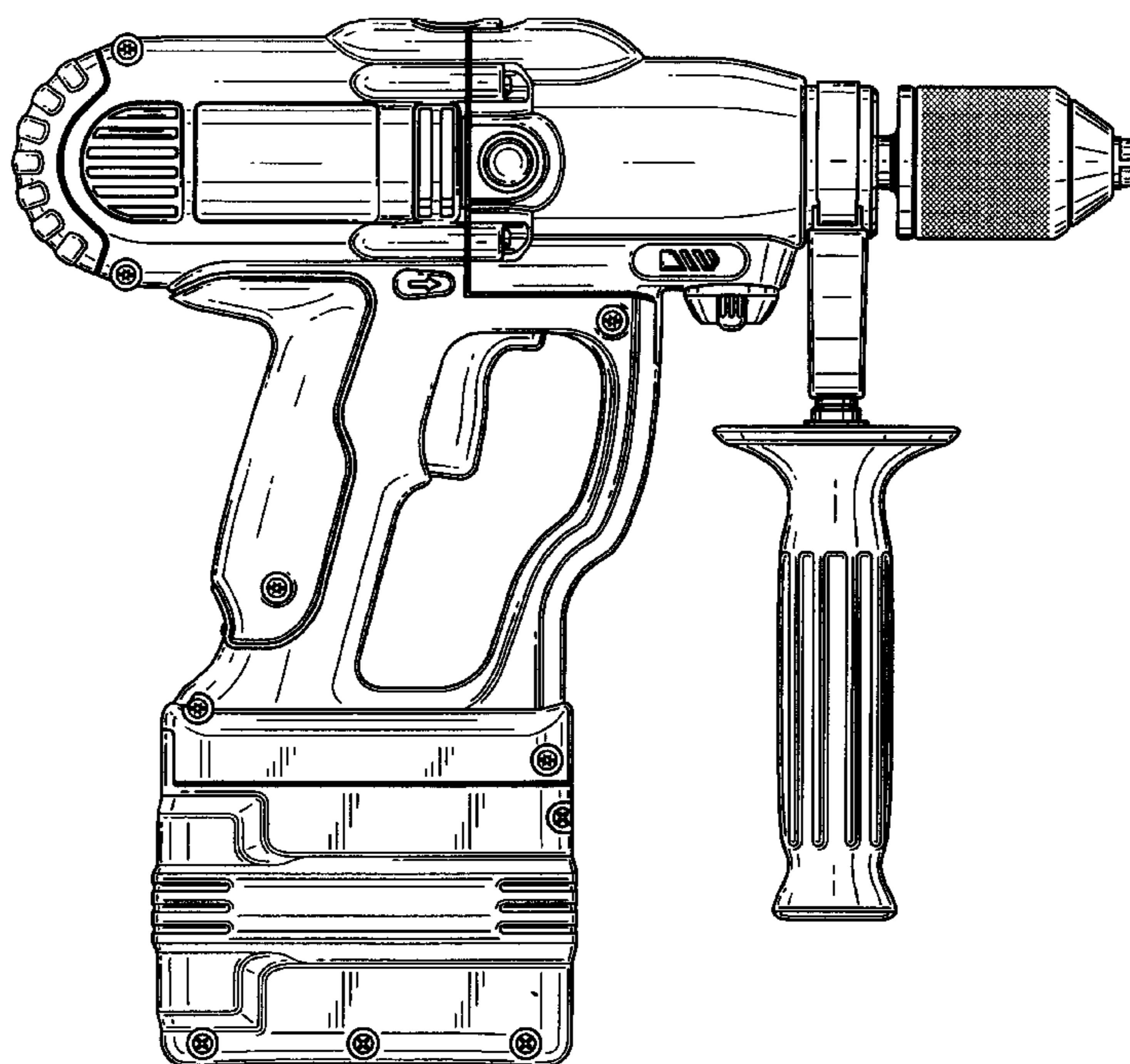
FIG. 3 is a right elevational view thereof.

FIG. 4 is a left side elevational view thereof.

FIG. 5 is a top plan view thereof; and,

FIG. 6 is a bottom plan view thereof.

1 Claim, 6 Drawing Sheets



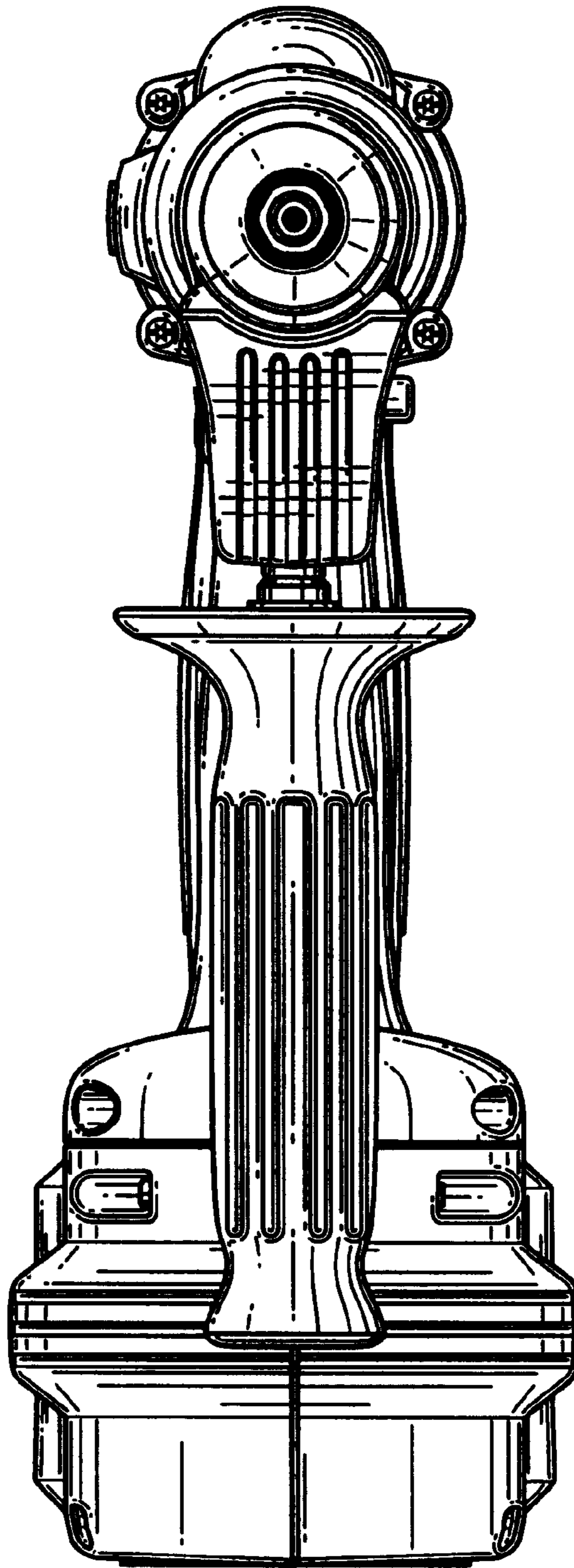


FIG. 1

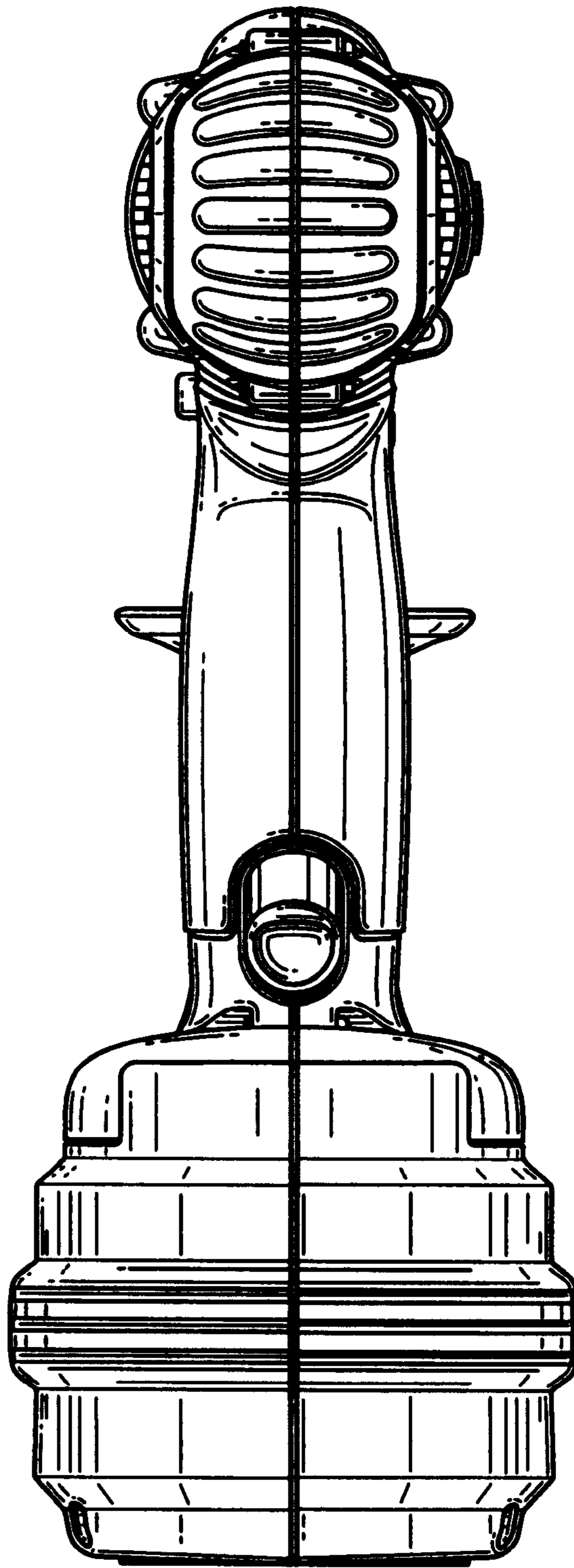


FIG. 2

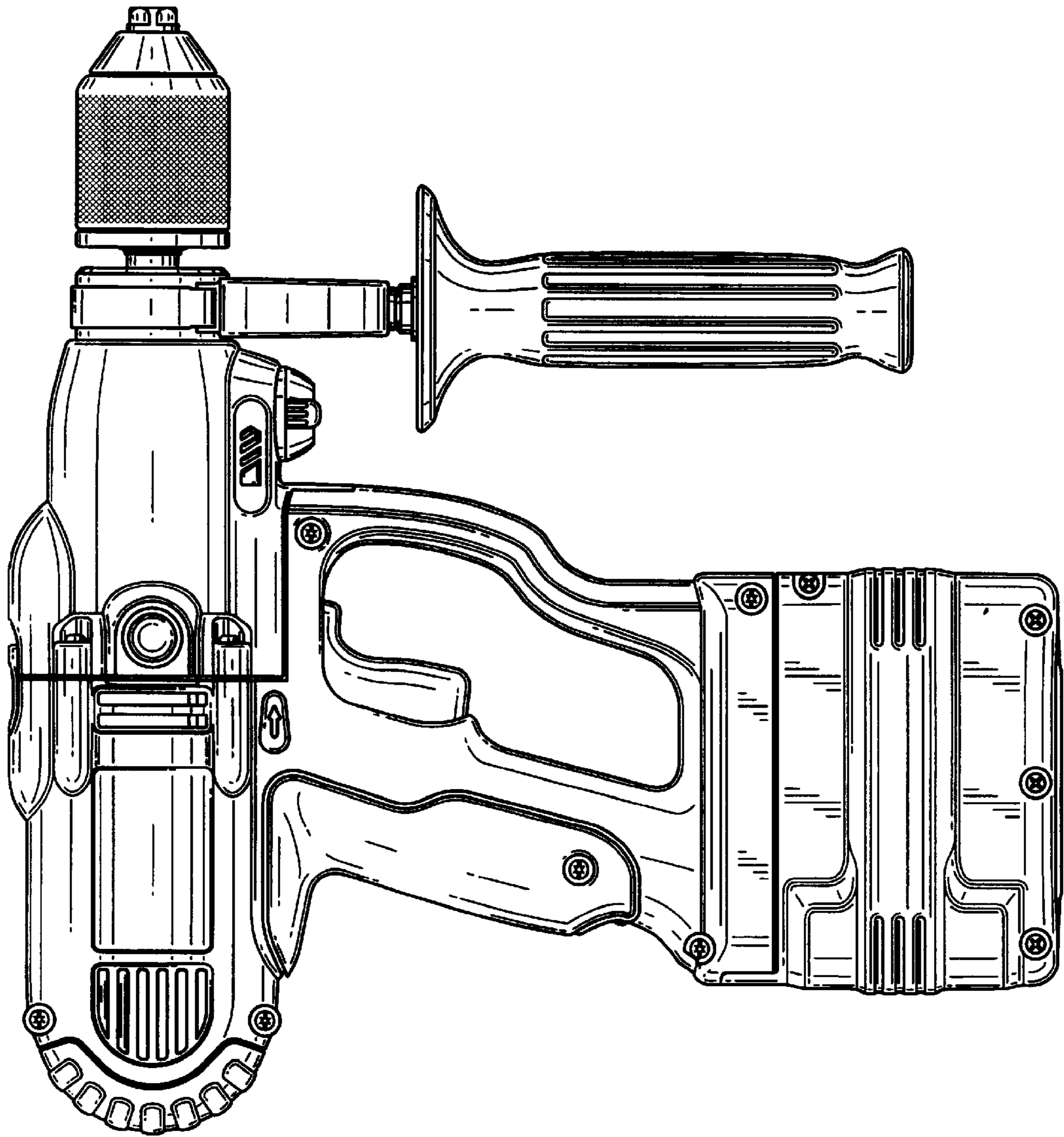


FIG. 3



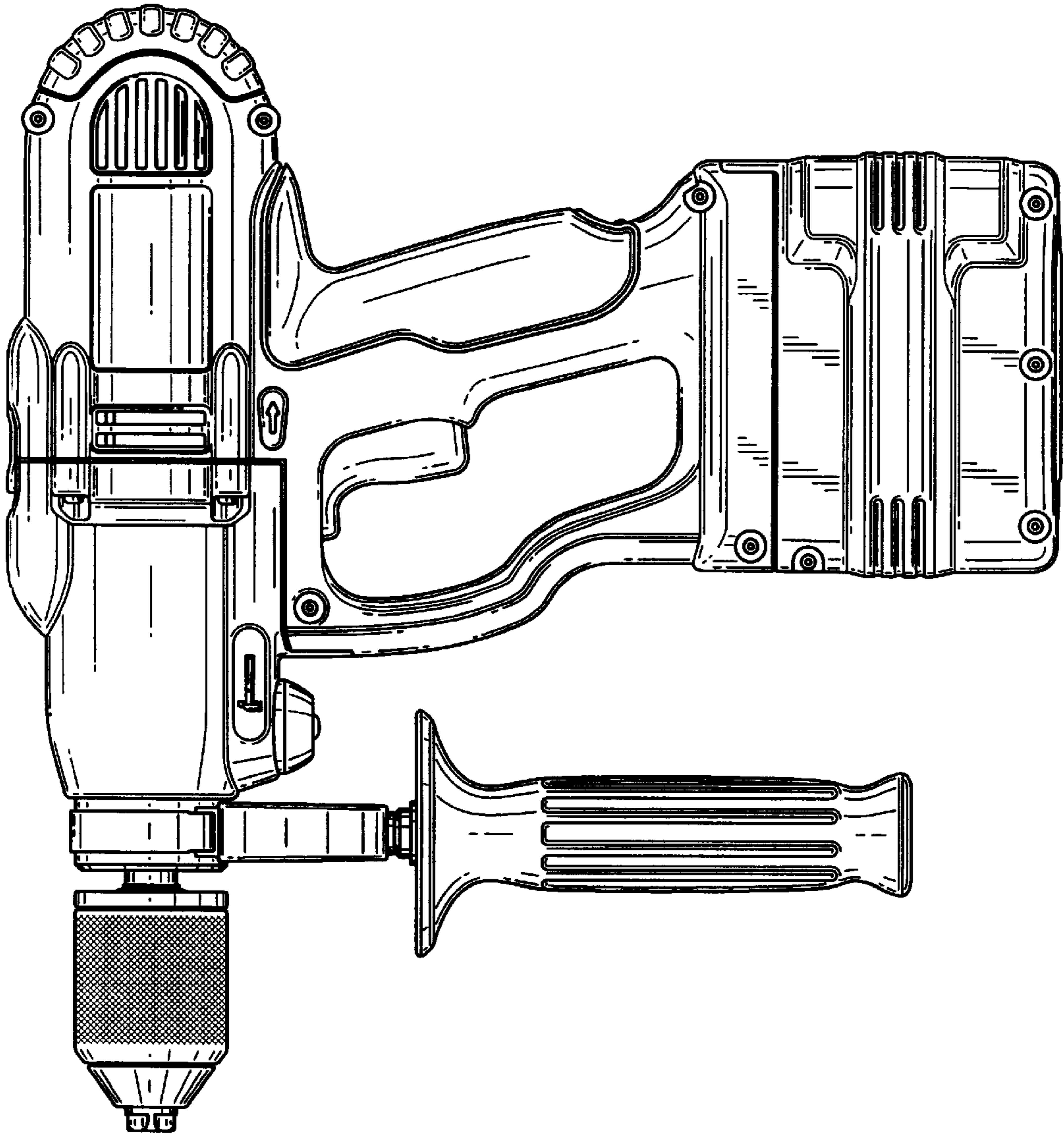


FIG. 4

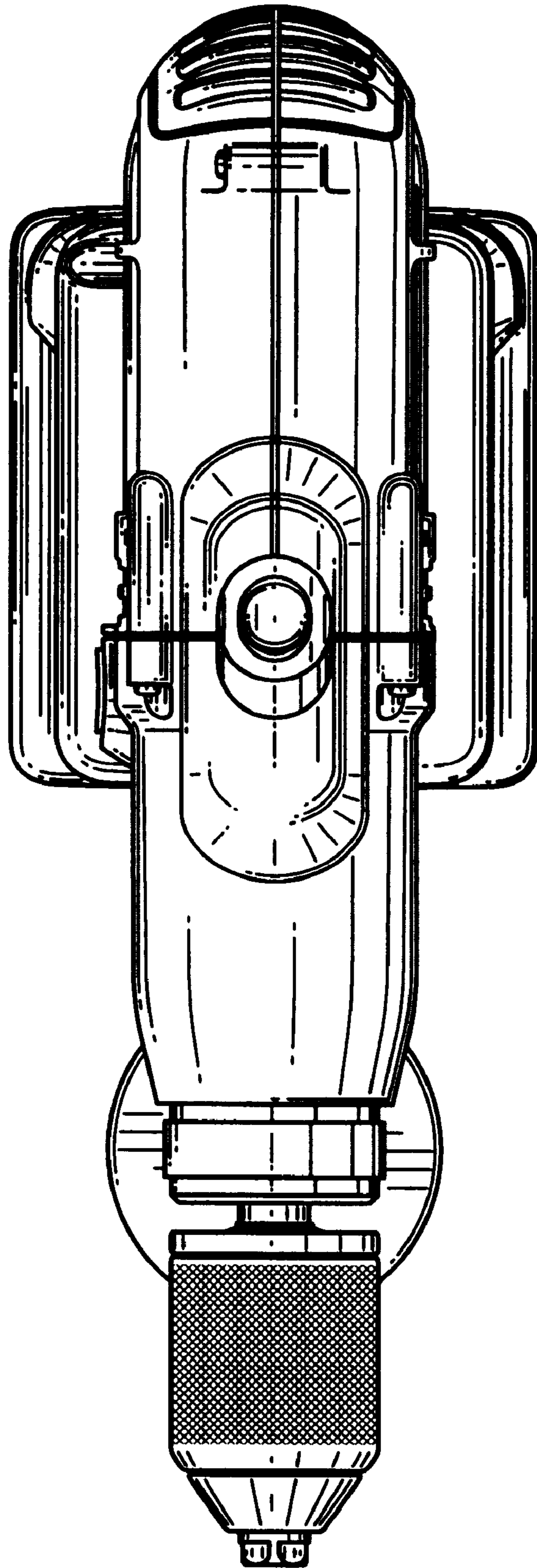


FIG. 5

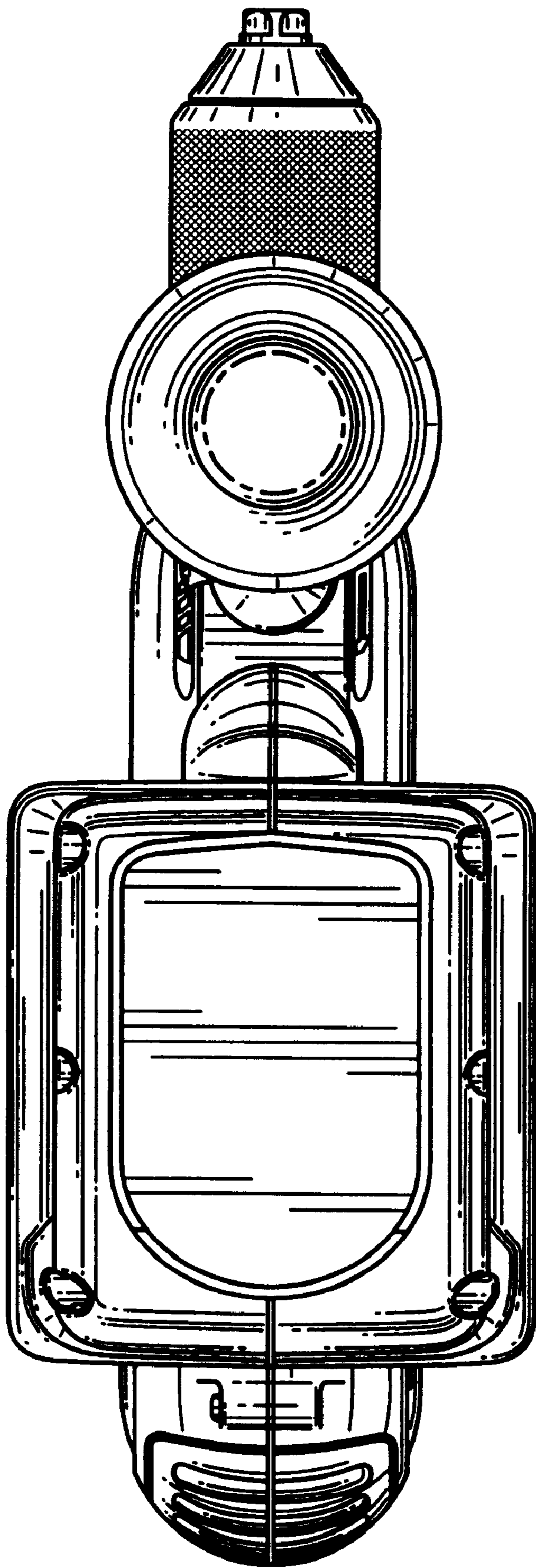


FIG. 6