



US00D431765S

United States Patent [19] Huang

[11] Patent Number: **Des. 431,765**

[45] Date of Patent: **** Oct. 10, 2000**

[54] **PIPE CUTTER**

[76] Inventor: **Wu Sheng Huang**, No. 108-24, Chong Ching Road, Bei Tun Chu, Taichung, Taiwan, 406

[**] Term: **14 Years**

[21] Appl. No.: **29/117,035**

[22] Filed: **Jan. 12, 2000**

[51] **LOC (7) Cl.** **08-03**

[52] **U.S. Cl.** **D8/60**

[58] **Field of Search** D8/51, 60; 30/94, 30/95, 96, 101, 102

[56] **References Cited**

U.S. PATENT DOCUMENTS

D. 219,572	12/1970	Shames	D8/60
D. 367,213	2/1996	Azkona	D8/60
D. 399,399	10/1998	Huang	D8/60
3,022,575	2/1962	Wright	D8/60

OTHER PUBLICATIONS

MSC Catalog, "Tubing Cutter Ridge Tools", p. 3991, Dec. 1999.

MSC Catalog, "1/8 to 1 1/8 Tubing Cutter", p. 3992, Dec. 1999.

Primary Examiner—Alan P. Douglas

Assistant Examiner—Reid Hecker

[57] **CLAIM**

The ornamental design for a pipe cutter, as shown and described.

DESCRIPTION

FIG. 1 is a perspective view of a pipe cutter showing my new design;

FIG. 2 is a front elevational view thereof;

FIG. 3 is a rear elevational view thereof;

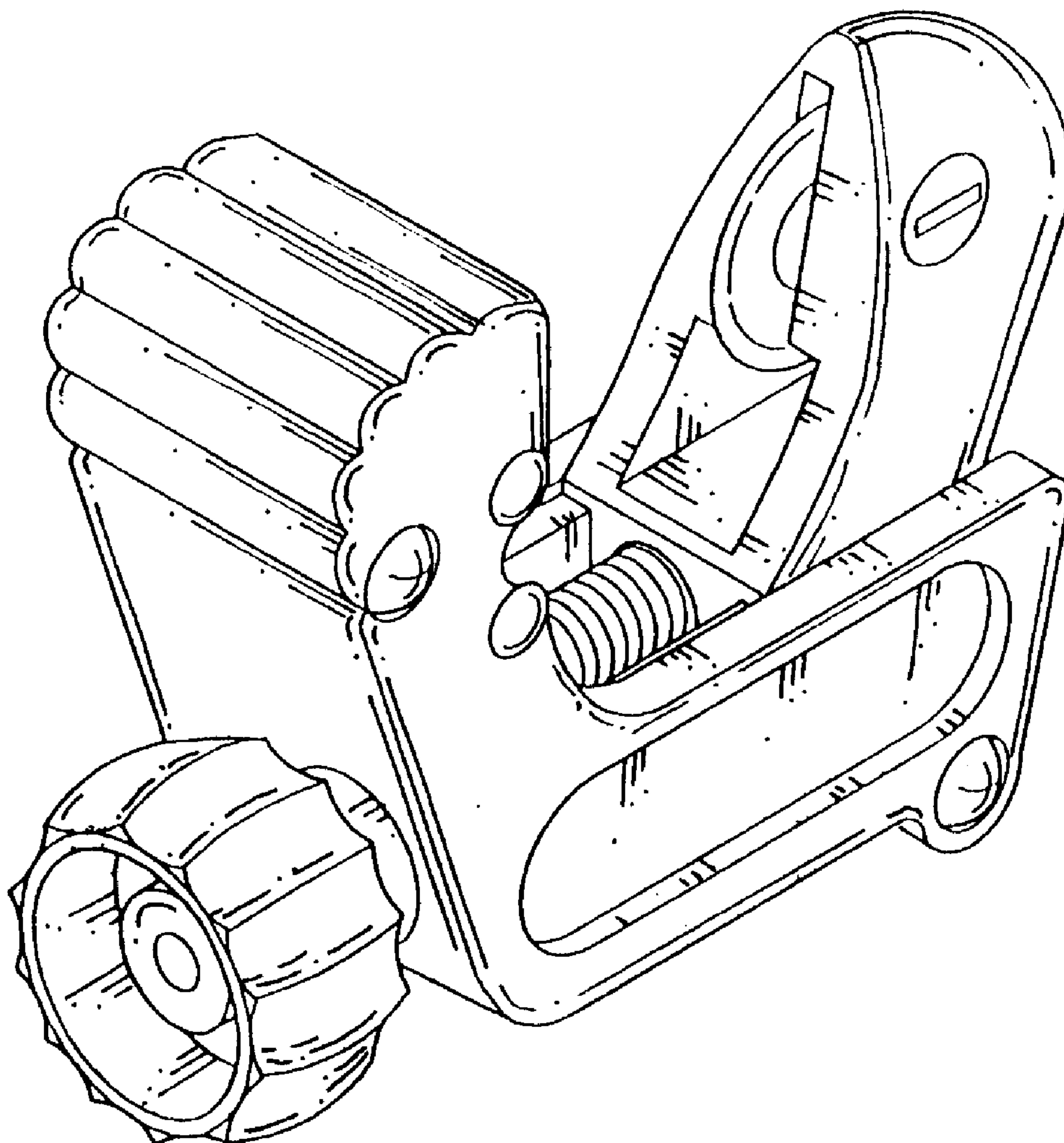
FIG. 4 is a top plan view thereof;

FIG. 5 is a bottom plan view thereof;

FIG. 6 is a left side elevational view thereof; and,

FIG. 7 is a right side elevational view thereof.

1 Claim, 2 Drawing Sheets



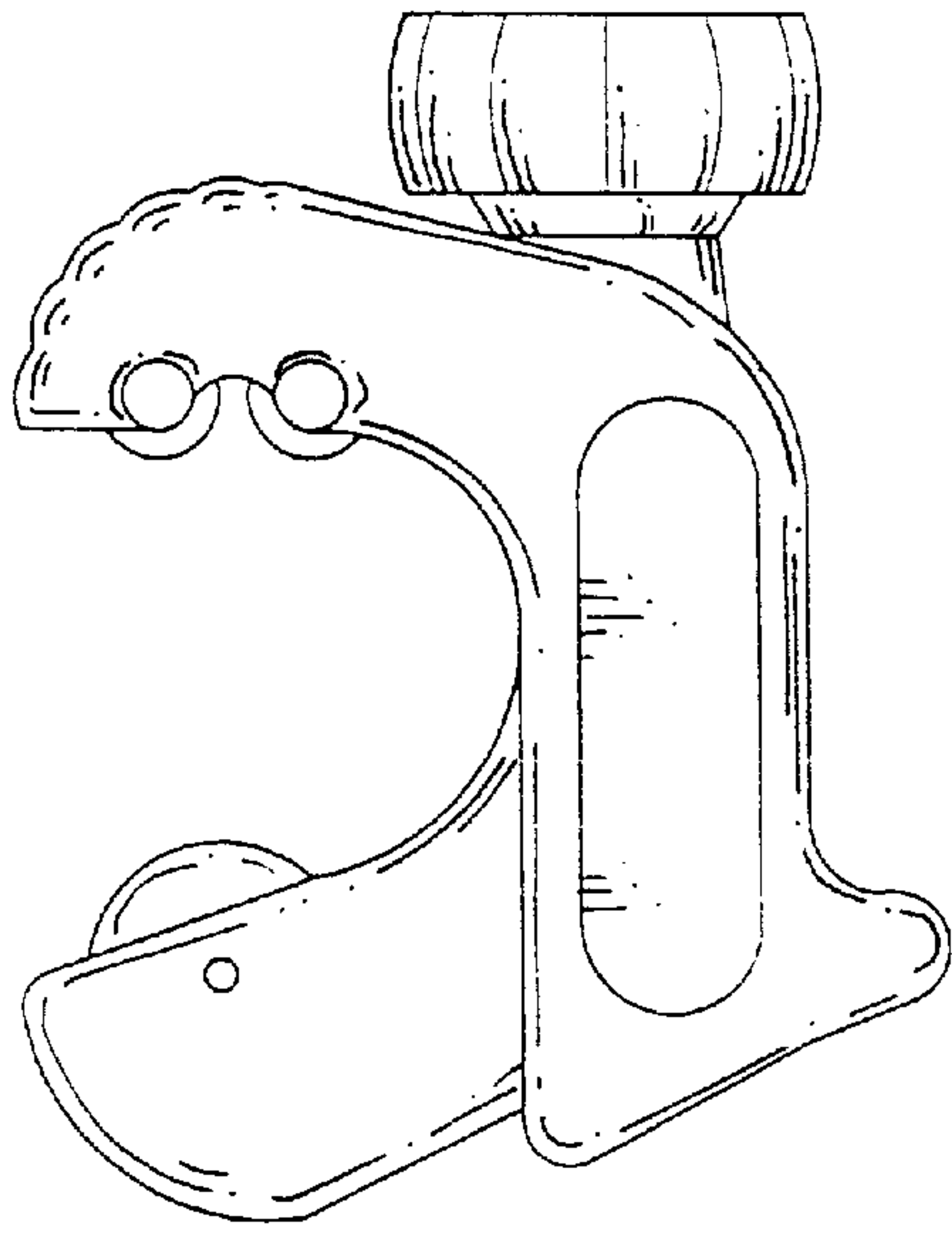


FIG. 3

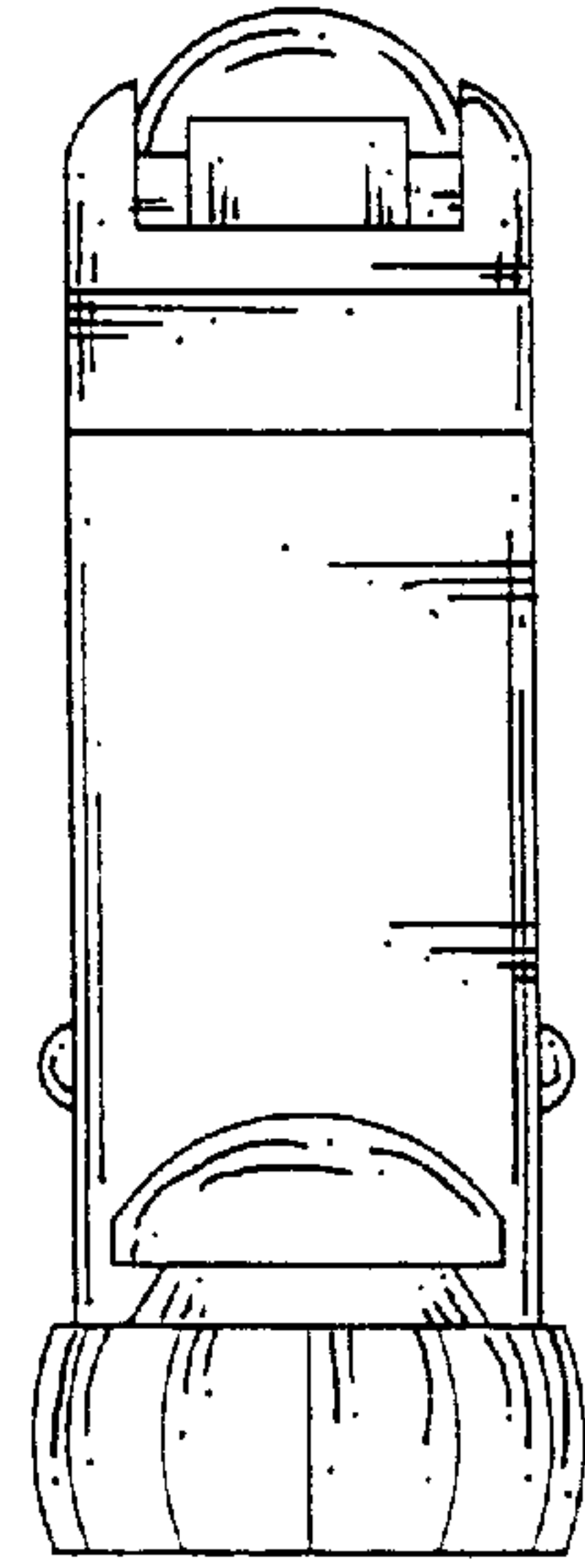


FIG. 4

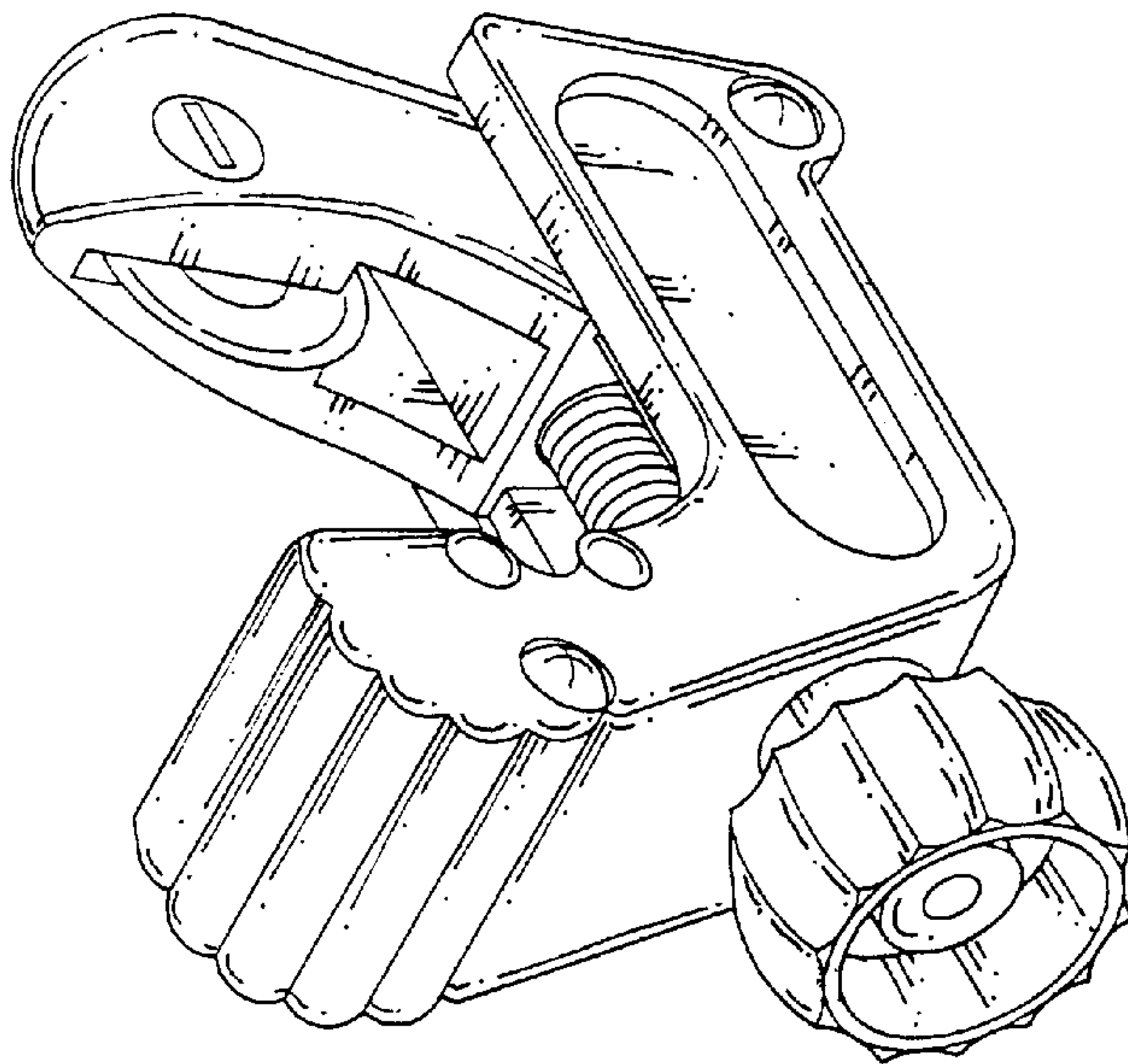


FIG. 1

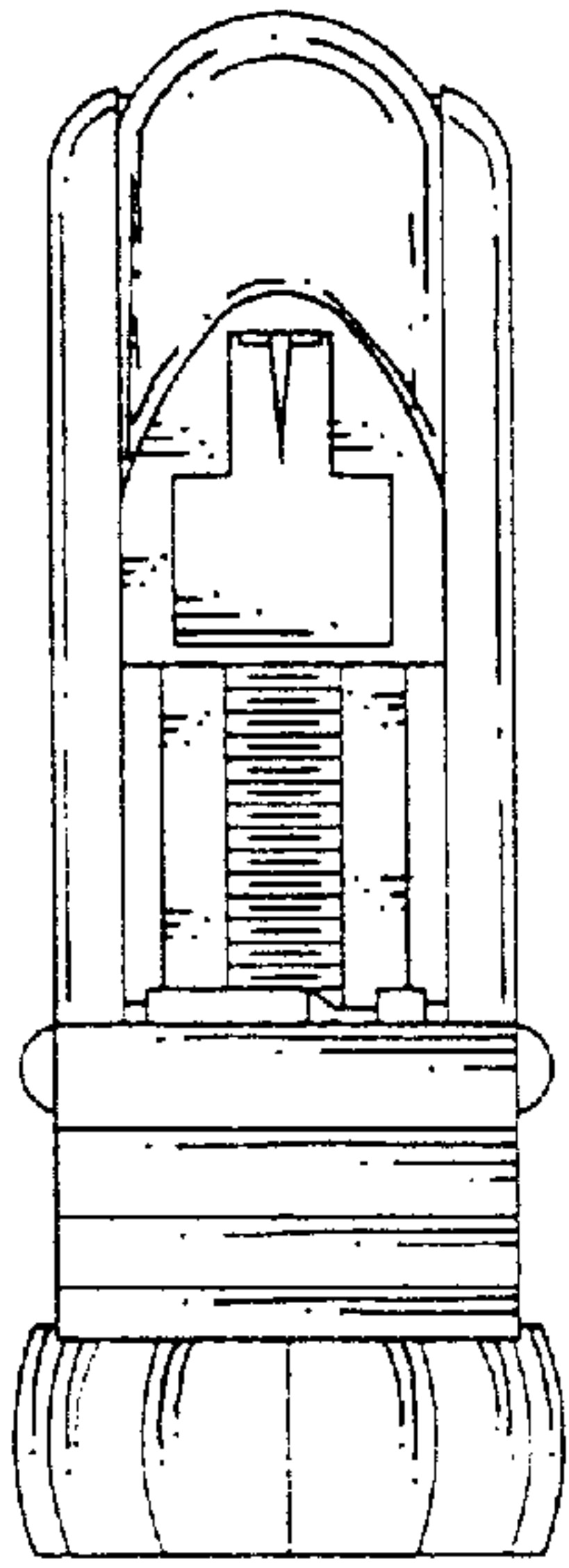


FIG. 5

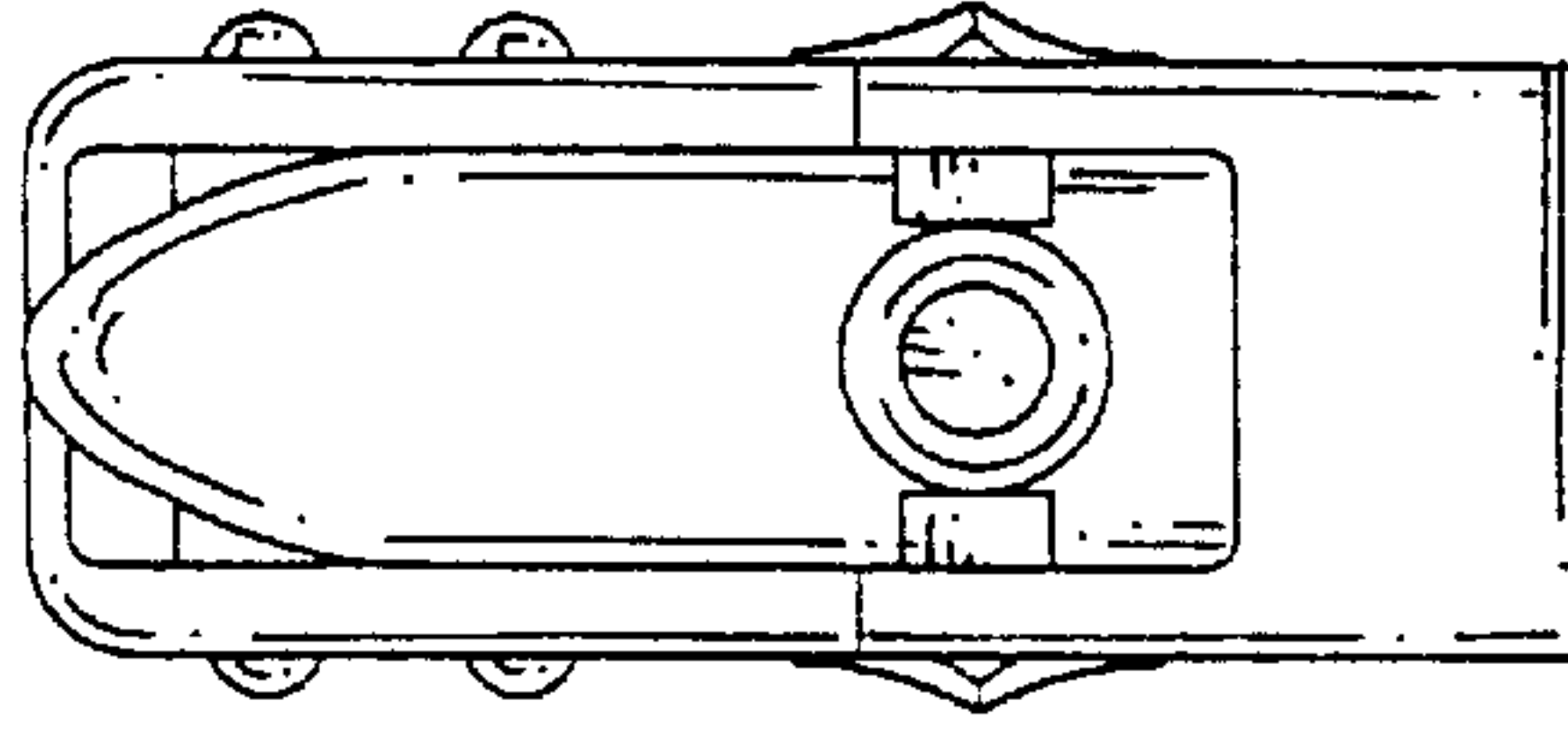


FIG. 7

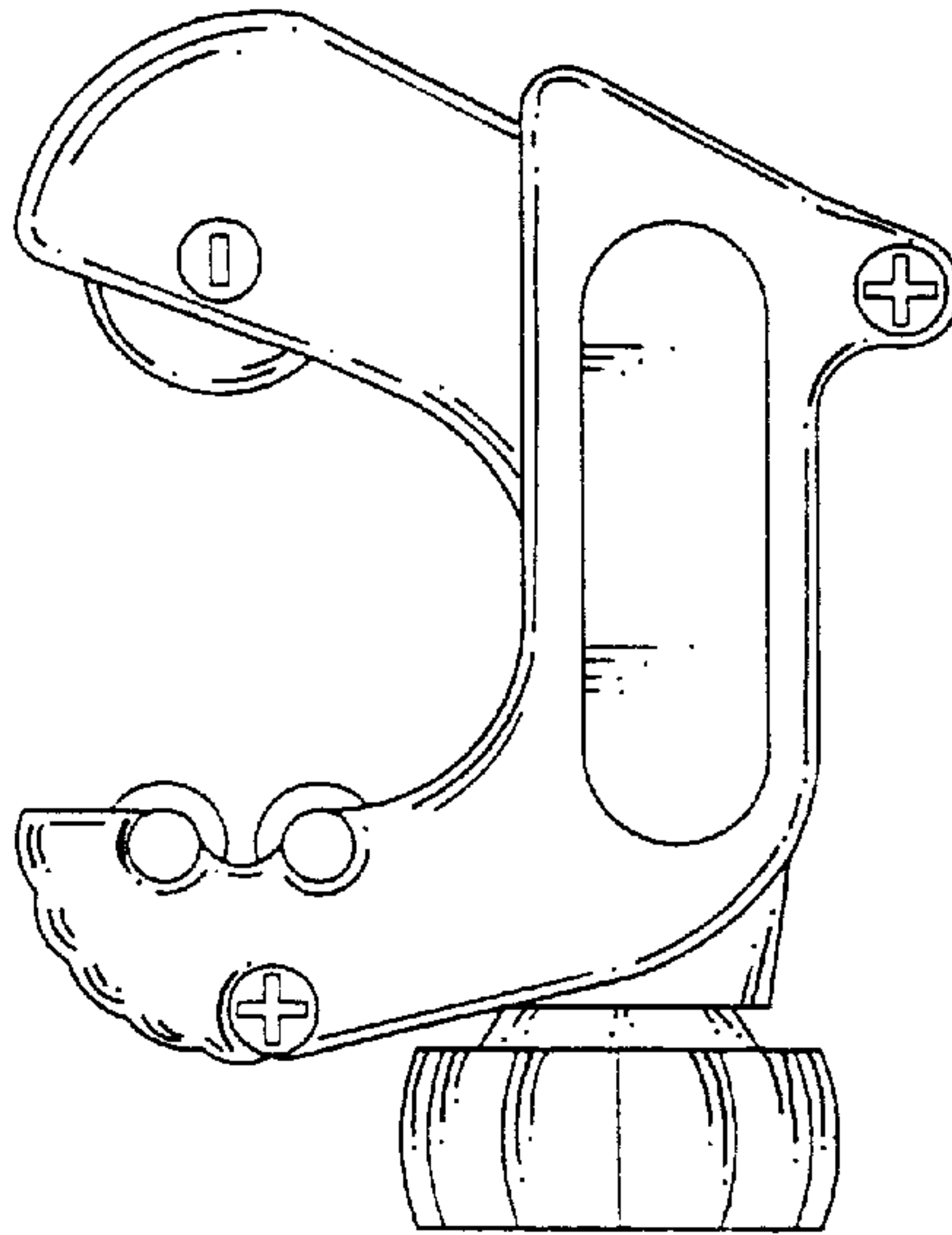


FIG. 2

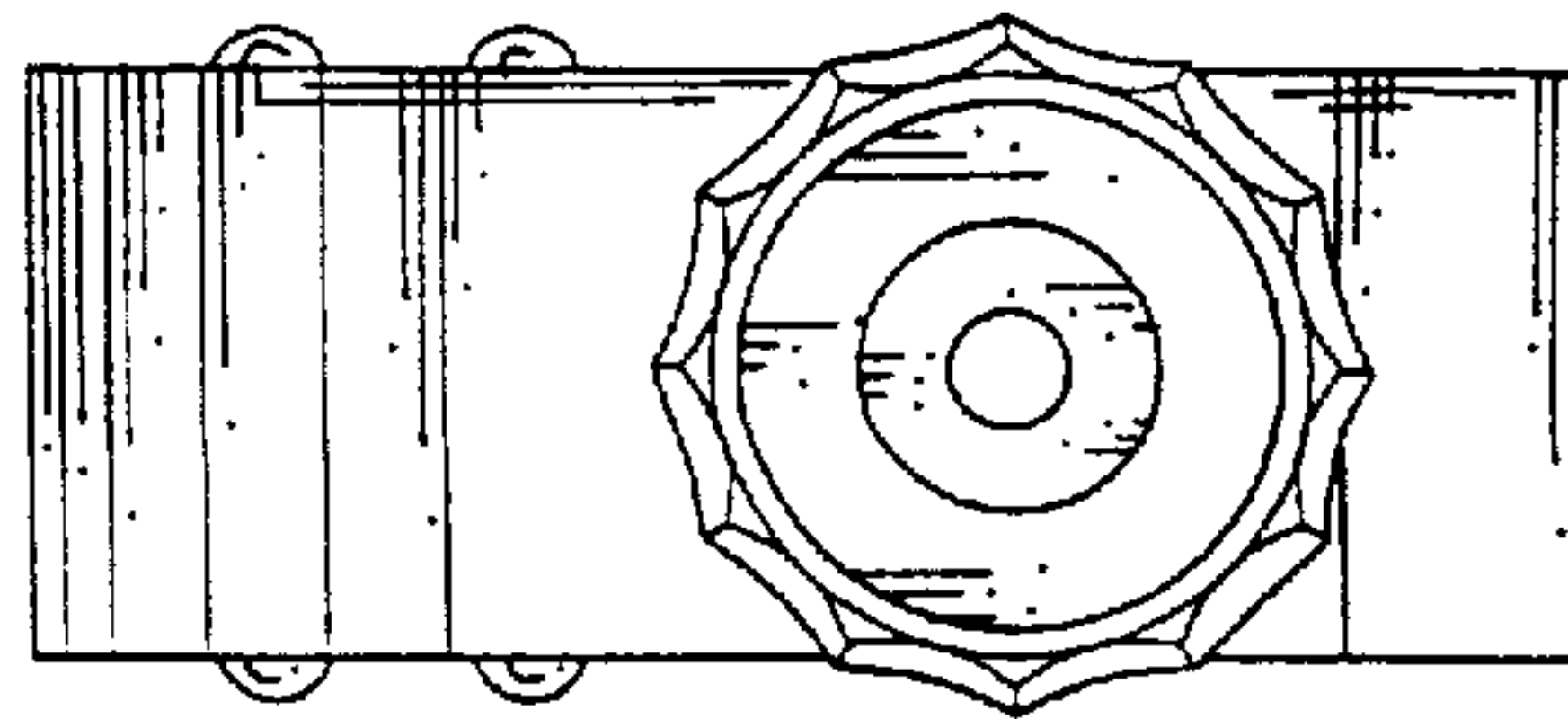


FIG. 6