



US00D431764S

United States Patent [19]
Pai

[11] **Patent Number: Des. 431,764**

[45] **Date of Patent: ** Oct. 10, 2000**

[54] **WRENCH**

[76] Inventor: **Ying Wen Pai**, P.O. Box 63-99,
Taichung, Taiwan

[**] Term: **14 Years**

[21] Appl. No.: **29/099,198**

[22] Filed: **Jan. 15, 1999**

[51] **LOC (7) Cl.** **08-05**

[52] **U.S. Cl.** **D8/28**

[58] **Field of Search** D8/17, 28; 81/119,
81/125.1, 186

[56] **References Cited**

U.S. PATENT DOCUMENTS

3,029,673	4/1962	Godsey	D8/28 X
3,620,107	11/1971	Evans	81/125.1
3,757,614	9/1973	Evans et al.	81/119
3,762,244	10/1973	Evans	81/119
3,785,226	1/1974	Ward	81/119

3,850,057	11/1974	Evans	81/119
3,881,377	5/1975	Evans et al.	81/186
3,905,255	9/1975	Evans	81/119

Primary Examiner—Richelle Shelton
Attorney, Agent, or Firm—Charles E. Baxley, Esq.

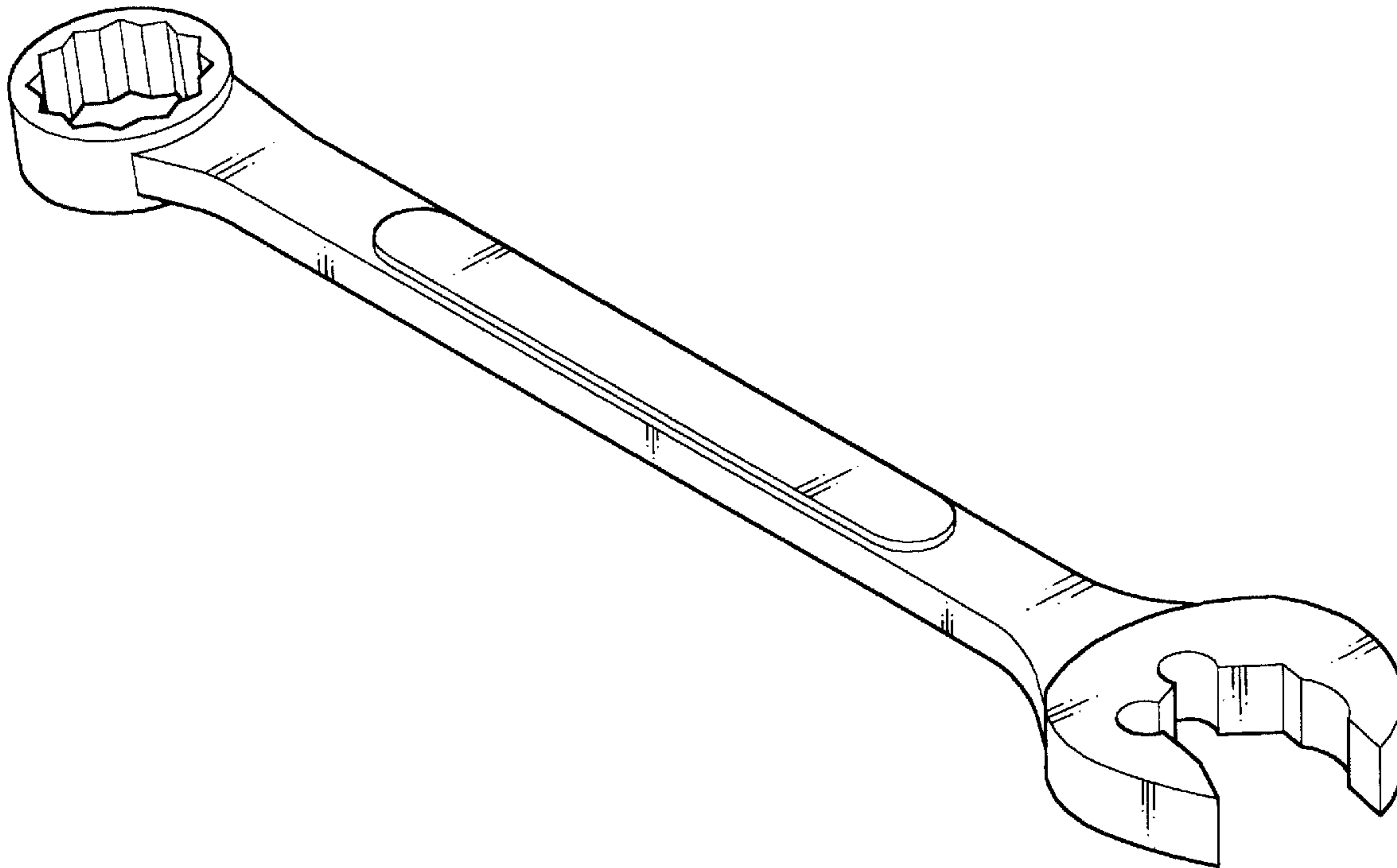
[57] **CLAIM**

The ornamental design for a wrench, as shown and described.

DESCRIPTION

FIG. 1 is a perspective view of a wrench showing my new design;
FIG. 2 is a front elevational view thereof;
FIG. 3 is a rear elevational view thereof;
FIG. 4 is a top plan view thereof;
FIG. 5 is a bottom plan view thereof;
FIG. 6 is a left side elevational view thereof; and,
FIG. 7 is a right side elevational view thereof.

1 Claim, 3 Drawing Sheets



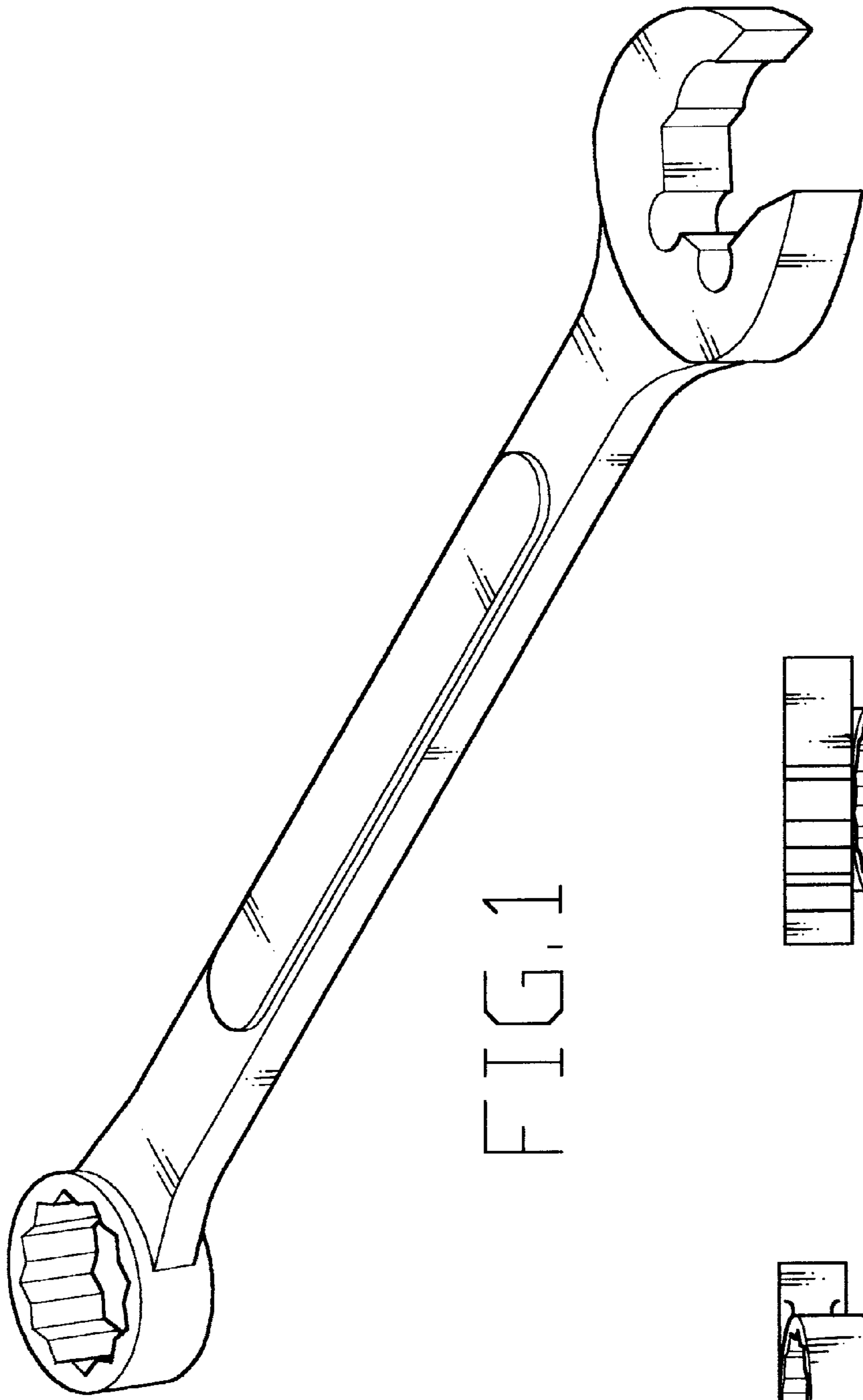


FIG. 1

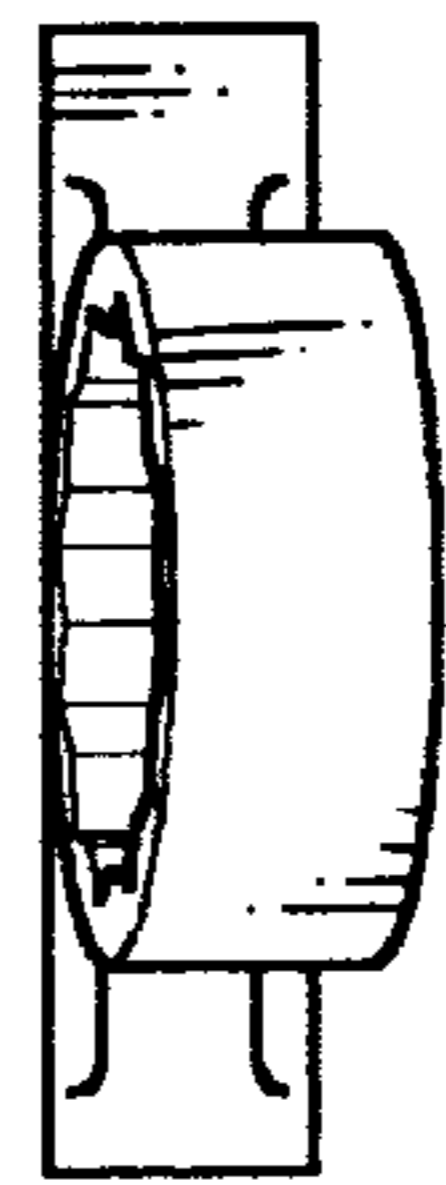
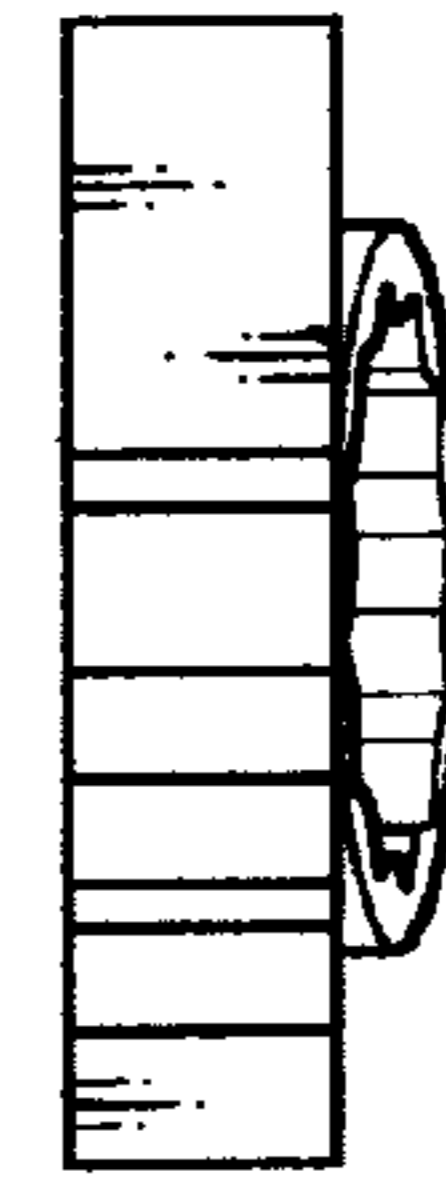


FIG. 6

FIG. 7

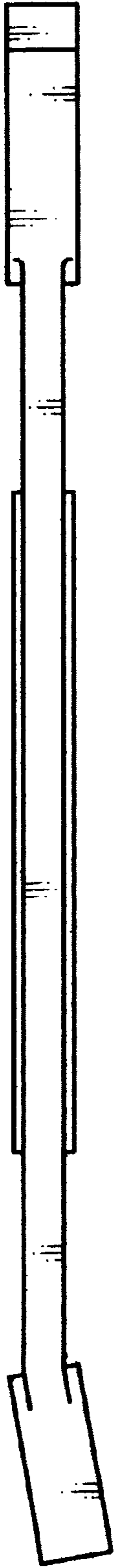


FIG. 2

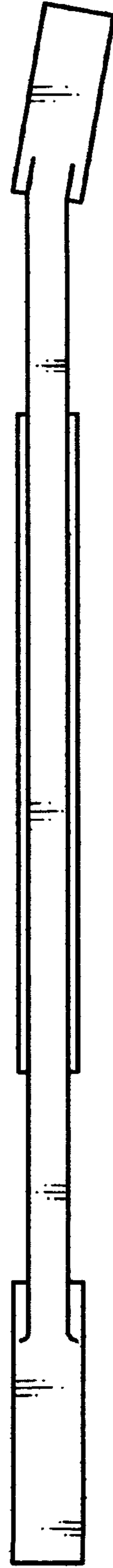


FIG. 3

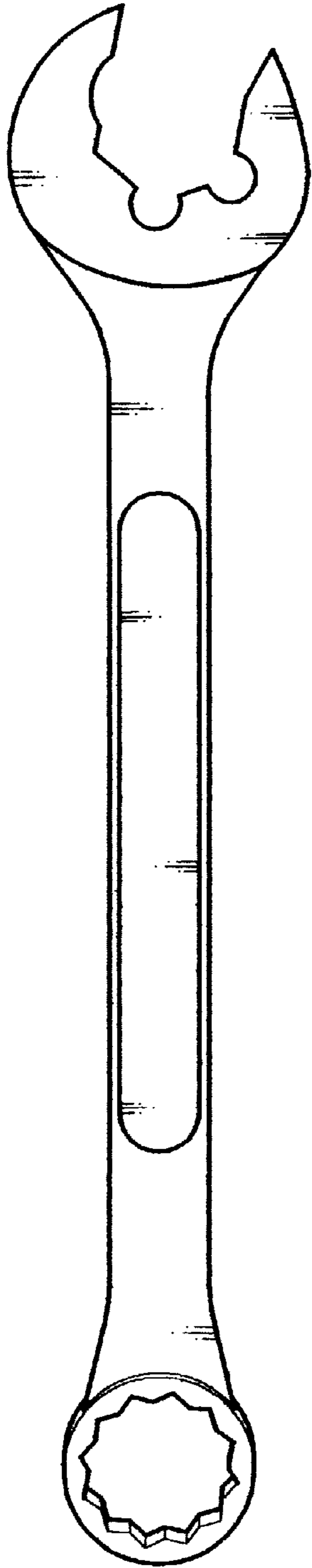


FIG. 4

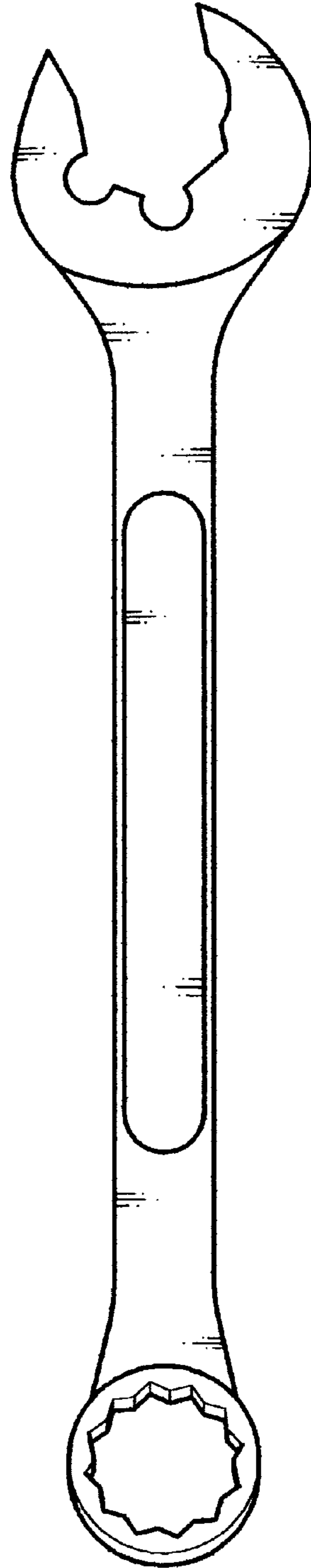


FIG. 5