



US00D431756S

**United States Patent** [19]  
**Kimbrough et al.**

[11] **Patent Number: Des. 431,756**  
[45] **Date of Patent: \*\* Oct. 10, 2000**

[54] **CONTAINER CADDY**

[75] Inventors: **Laurel M. Kimbrough; Thomas J. Reddin; Abigail J. Weatherby**, all of Atlanta, Ga.; **Jay K. Fording**, Matthews, N.C.; **Keith G. Savas; Benjamin J. Nash**, both of Charlotte, N.C.; **Edgar B. Montague, III**, Fort Mill, S.C.

[73] Assignee: **The Coca-Cola Company**, Atlanta, Ga.

[\*\*] Term: **14 Years**

[21] Appl. No.: **29/108,285**

[22] Filed: **Jul. 23, 1999**

[51] **LOC (7) Cl.** ..... **07-06**

[52] **U.S. Cl.** ..... **D7/620; D34/27**

[58] **Field of Search** ..... **D7/619-625; D34/27;**  
**62/457.1-457.4; 220/737, 739; 248/311.2,**  
**215; 280/33.992; 211/74, 88; 224/411,**  
**555, 566, 926**

4,889,267	12/1989	Bolton	.....	224/274
5,024,411	6/1991	Elwell	.....	248/311.2
5,028,023	7/1991	Allen	.....	248/152
5,060,798	10/1991	Braastad	.....	206/423
5,104,186	4/1992	Kwasnik	.....	297/194
5,131,716	7/1992	Kwasnik et al.	.....	297/194
5,190,257	3/1993	Gradei et al.	.....	248/231.7
5,195,706	3/1993	Allen	.....	248/152
5,362,077	11/1994	Adamson	.....	280/33.992
5,400,990	3/1995	Frankel	.....	248/215
5,421,638	6/1995	Ayotte et al.	.....	297/188.04
5,433,361	7/1995	O'Malley	.....	224/274
5,464,183	11/1995	McConnell et al.	.....	248/311.2
5,484,129	1/1996	Megal	.....	248/311.2
5,494,306	2/1996	Adamson et al.	.....	280/33.992
5,503,297	4/1996	Frankel	.....	220/751
5,531,238	7/1996	Azzarelli et al.	.....	135/66
5,579,968	12/1996	Staschiak	.....	224/274
5,664,718	9/1997	Vine	.....	224/545
5,671,877	9/1997	Yabuya	.....	224/282
5,673,835	10/1997	Kalat	.....	224/556
5,678,741	10/1997	Schieber	.....	224/275
5,695,162	12/1997	DiCastro	.....	248/231.81
5,709,429	1/1998	Bergin	.....	297/188.04
5,746,363	5/1998	Teller et al.	.....	224/547
5,803,327	9/1998	Nipper et al.	.....	224/407

[56] **References Cited**

**U.S. PATENT DOCUMENTS**

D. 307,669	5/1990	Inouye	.....	D7/620
D. 368,628	4/1996	Bergin	.....	D7/620
D. 383,284	9/1997	Lines	.....	D34/27
D. 383,362	9/1997	Ayotte et al.	.....	D7/620
D. 398,127	9/1998	Bergin et al.	.....	D34/27
D. 400,678	11/1998	Clark et al.	.....	D34/27
1,127,793	2/1915	Mettler	.....	248/154
2,633,278	3/1953	Muniz	.....	224/42.46
2,763,413	9/1956	Felton	.....	224/42.46
3,297,289	1/1967	La Raus	.....	248/152
3,734,439	5/1973	Wintz	.....	248/224
3,938,869	2/1976	Josey	.....	312/100
4,088,250	5/1978	Schaefer	.....	224/5 W
4,446,508	5/1984	Kinzie	.....	362/31
4,693,440	9/1987	Lalonde	.....	248/154
4,726,468	2/1988	Hesser et al.	.....	206/423
4,767,089	8/1988	Self	.....	248/152
4,819,803	4/1989	Neiser	.....	206/423
4,844,399	7/1989	Harm	.....	248/311.2

*Primary Examiner*—Terry A. Wallace  
*Attorney, Agent, or Firm*—Jones & Askew, LLP

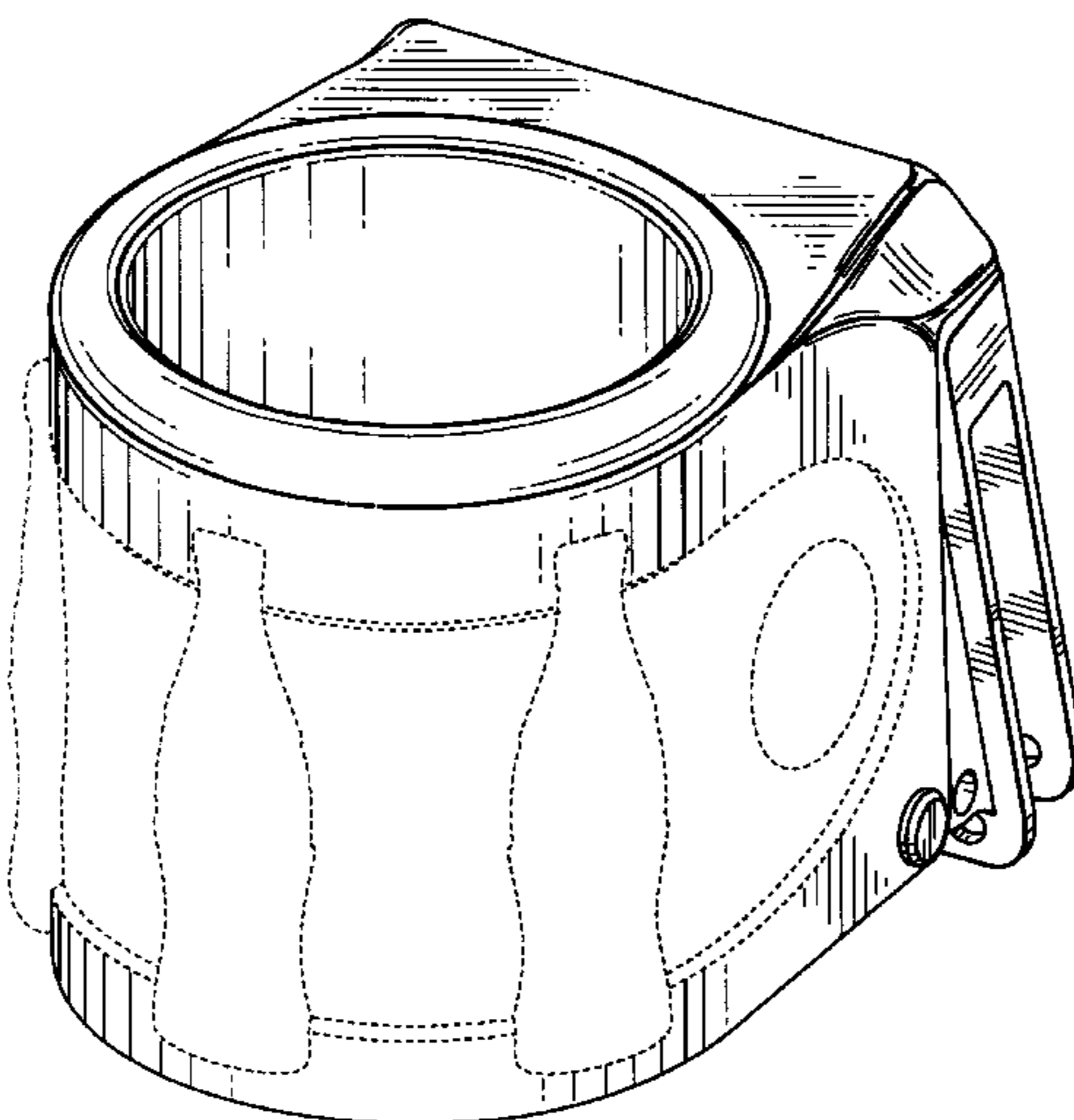
[57] **CLAIM**

The ornamental design for a container caddy, as shown and described.

**DESCRIPTION**

FIG. 1 is a perspective view of our new container caddy; FIG. 2 is a front elevation view thereof; FIG. 3 is a right side elevation view thereof; FIG. 4 is a top plan view thereof; FIG. 5 is a left side elevation view thereof; FIG. 6 is a bottom plan view thereof; and, FIG. 7 is a back elevation view thereof. The broken lines showing the recessed area, the contoured bottles, and the emblem circle are for illustrative purposes only and do not form part of the claimed design.

**1 Claim, 7 Drawing Sheets**



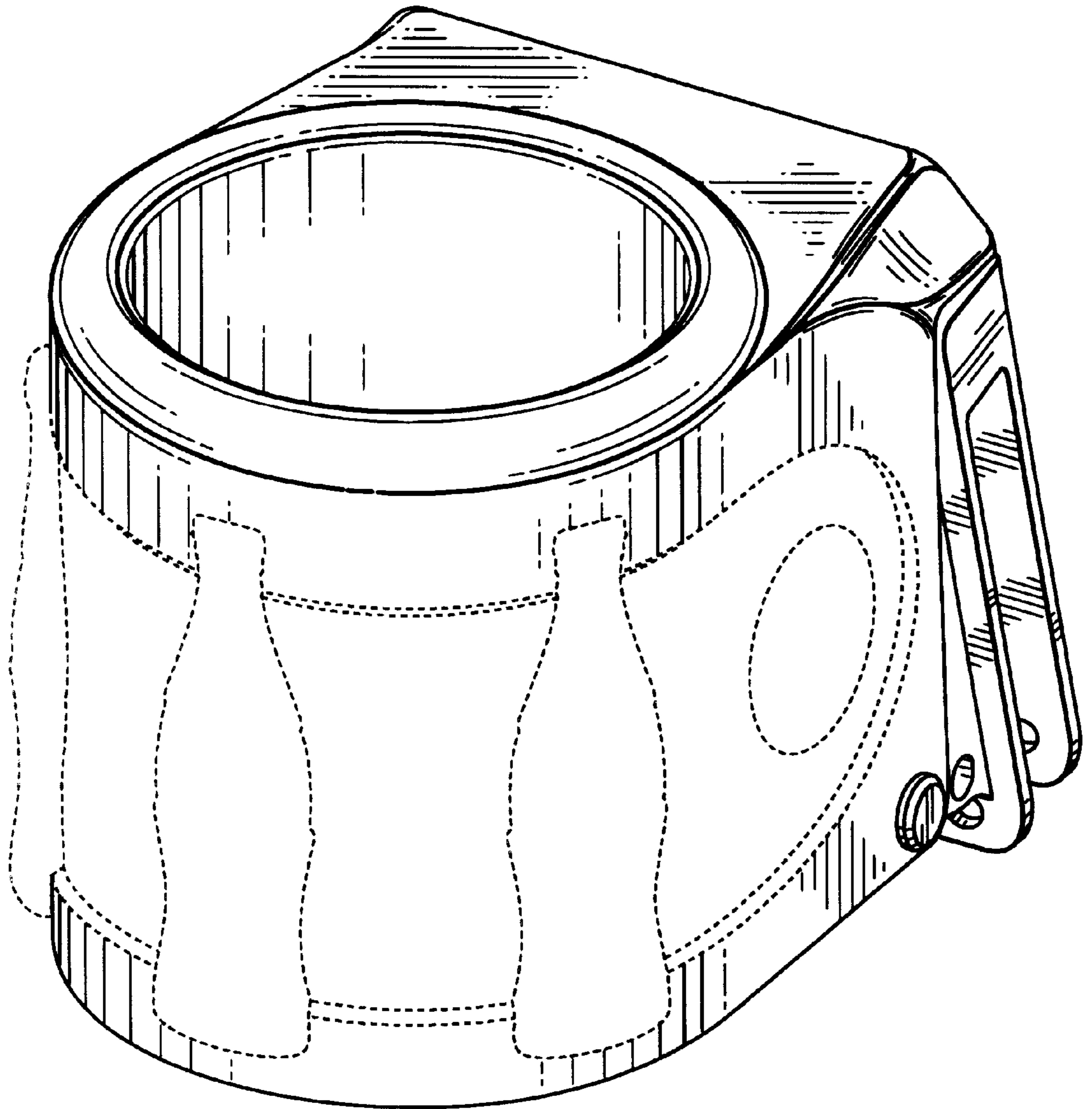


FIG. 1.

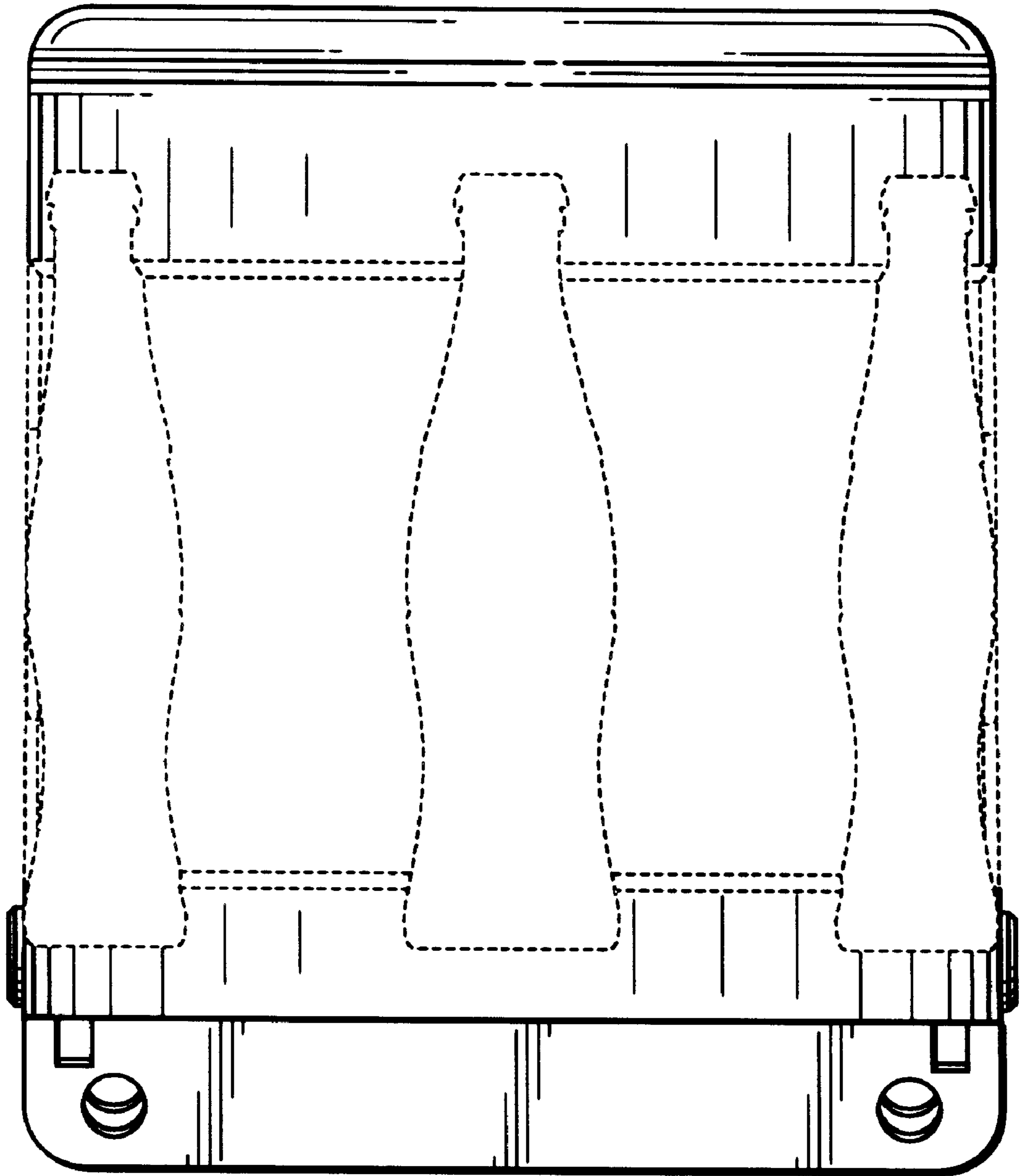


FIG. 2.

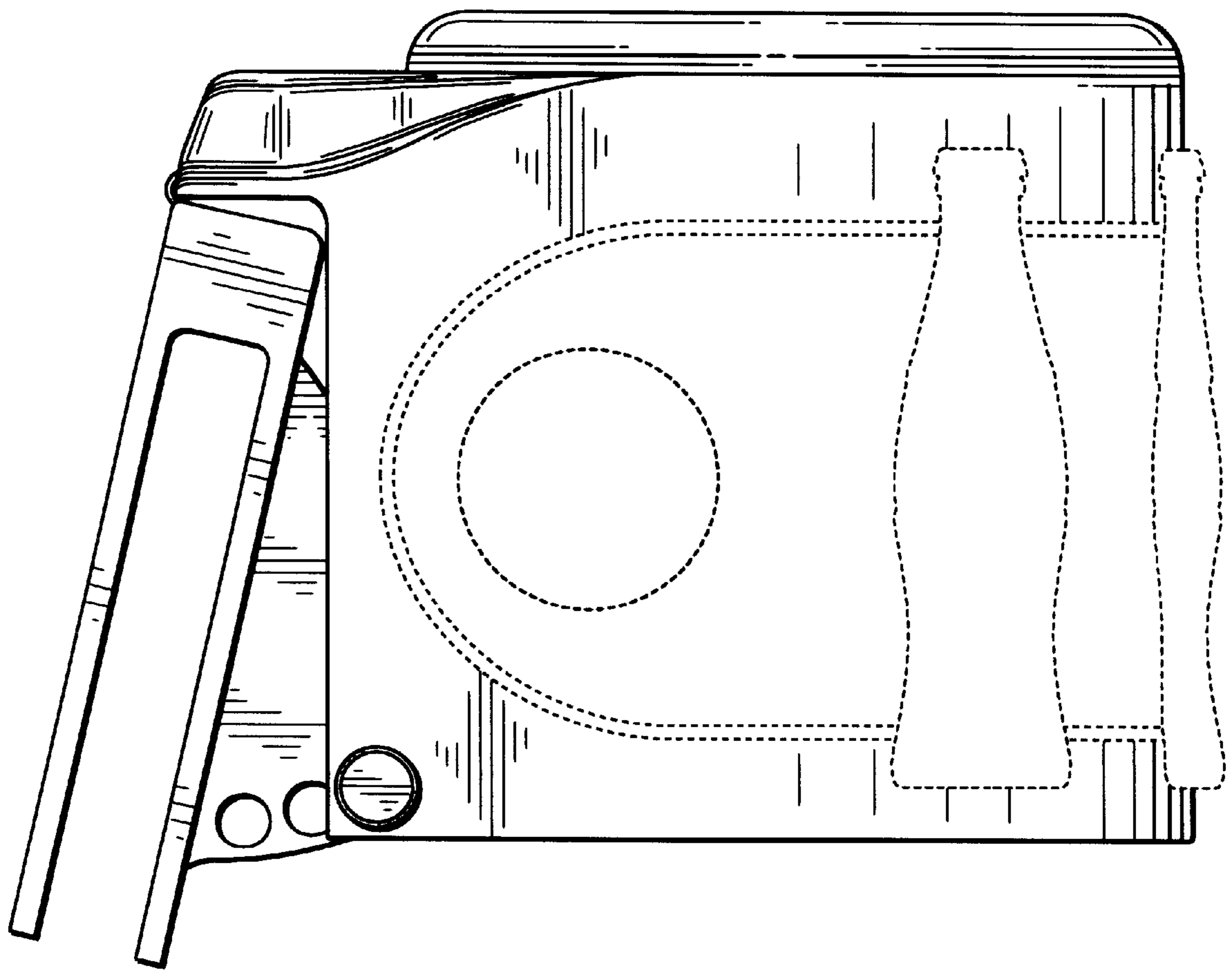


FIG. 3.



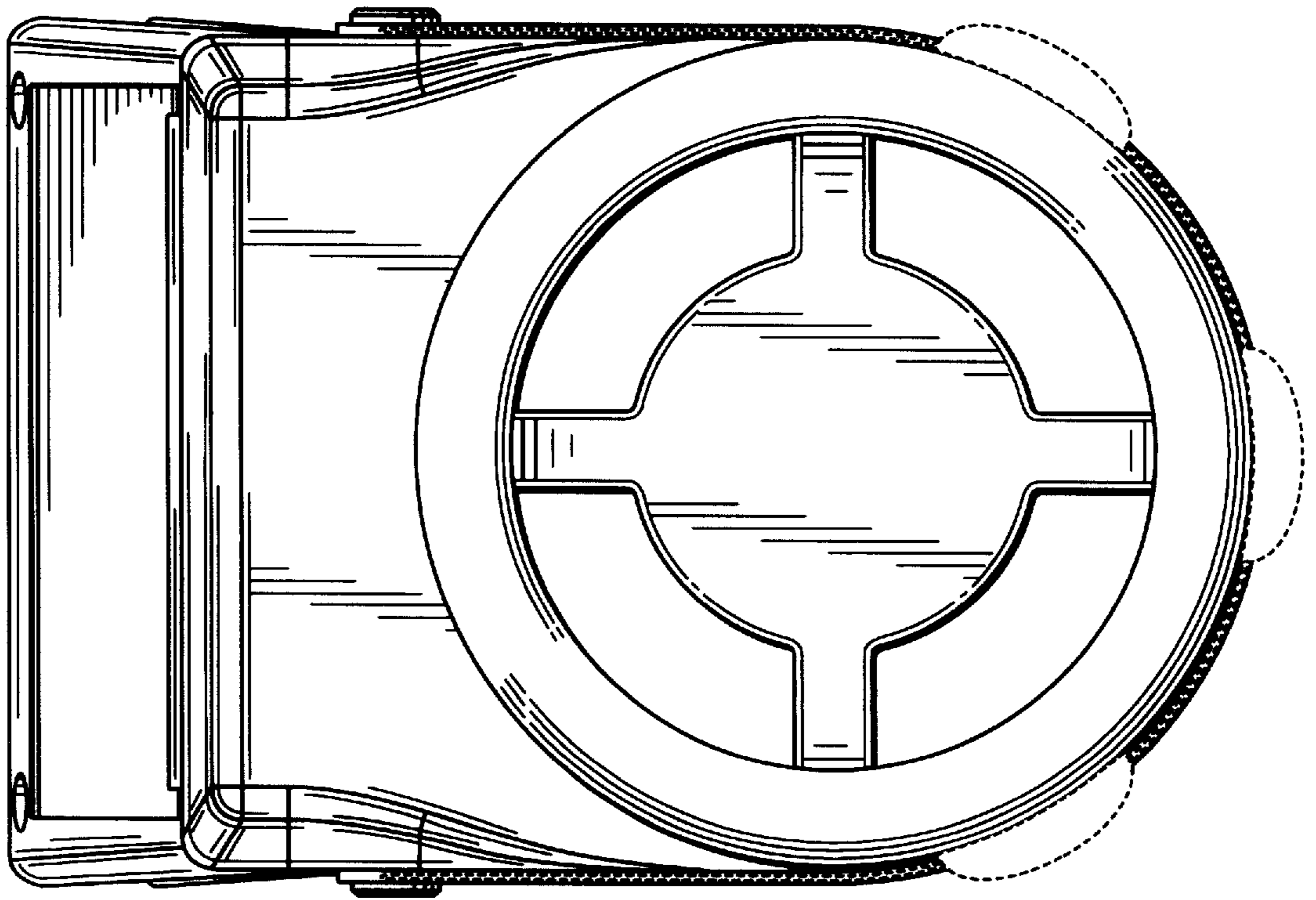


FIG. 4.

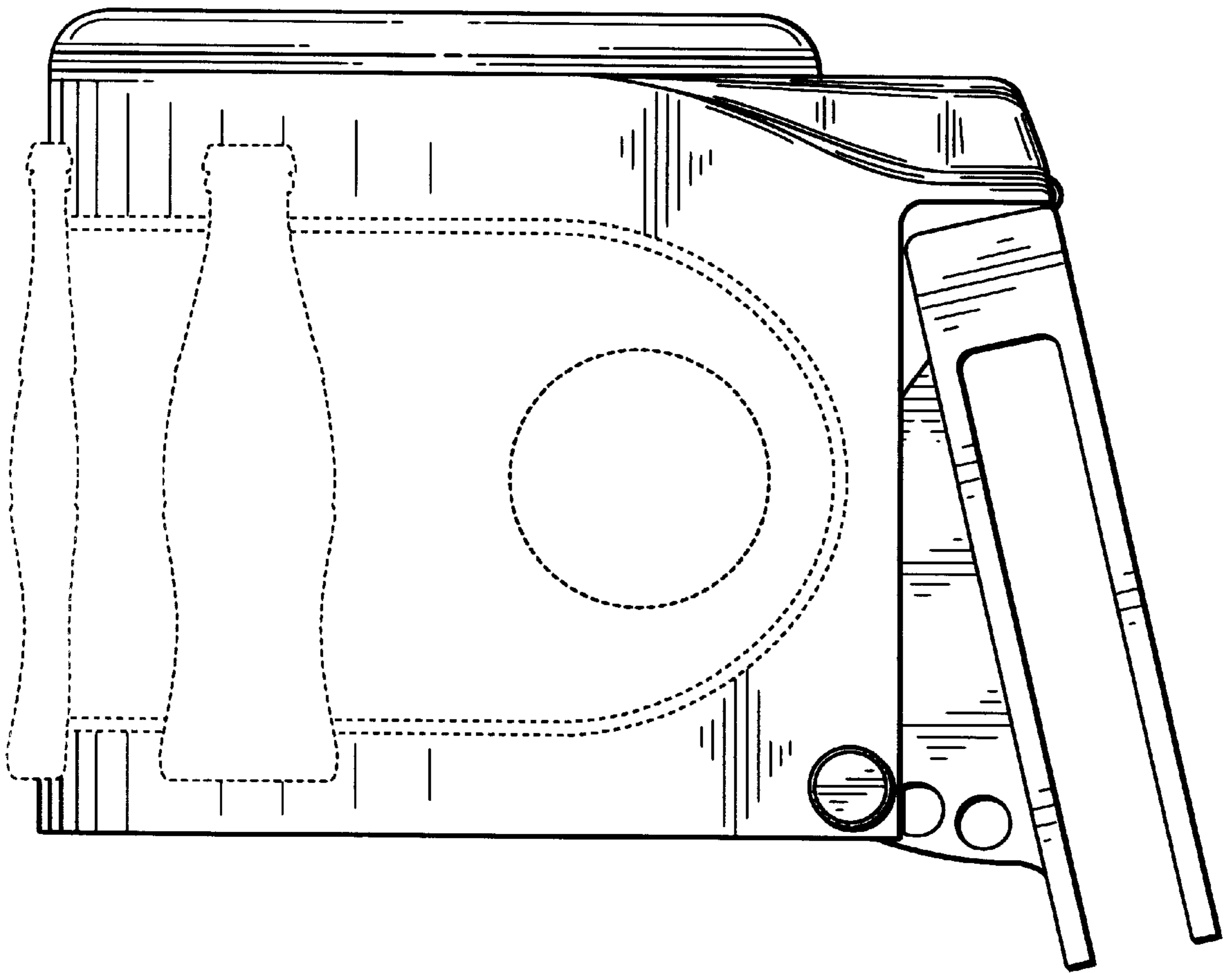


FIG. 5.

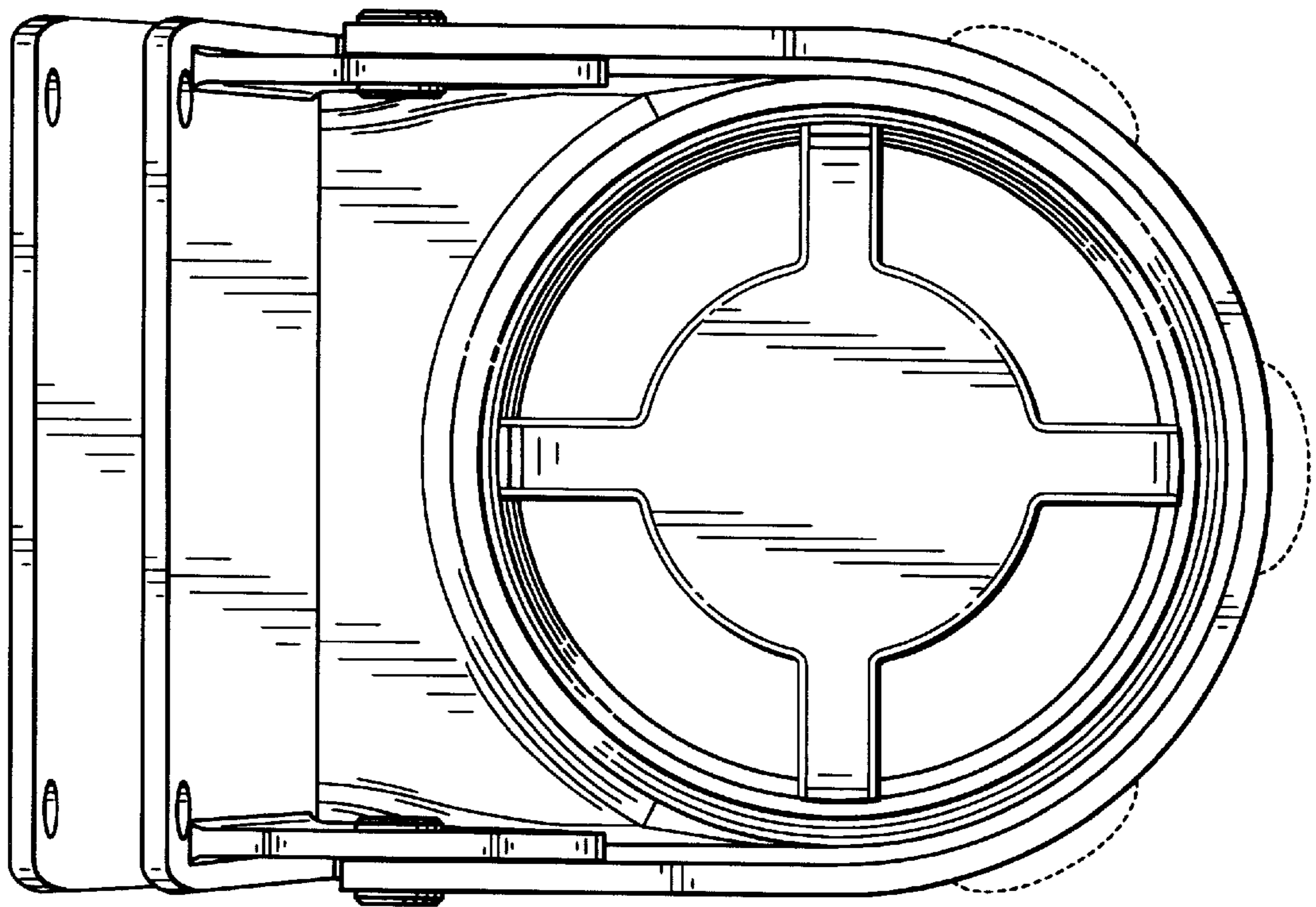
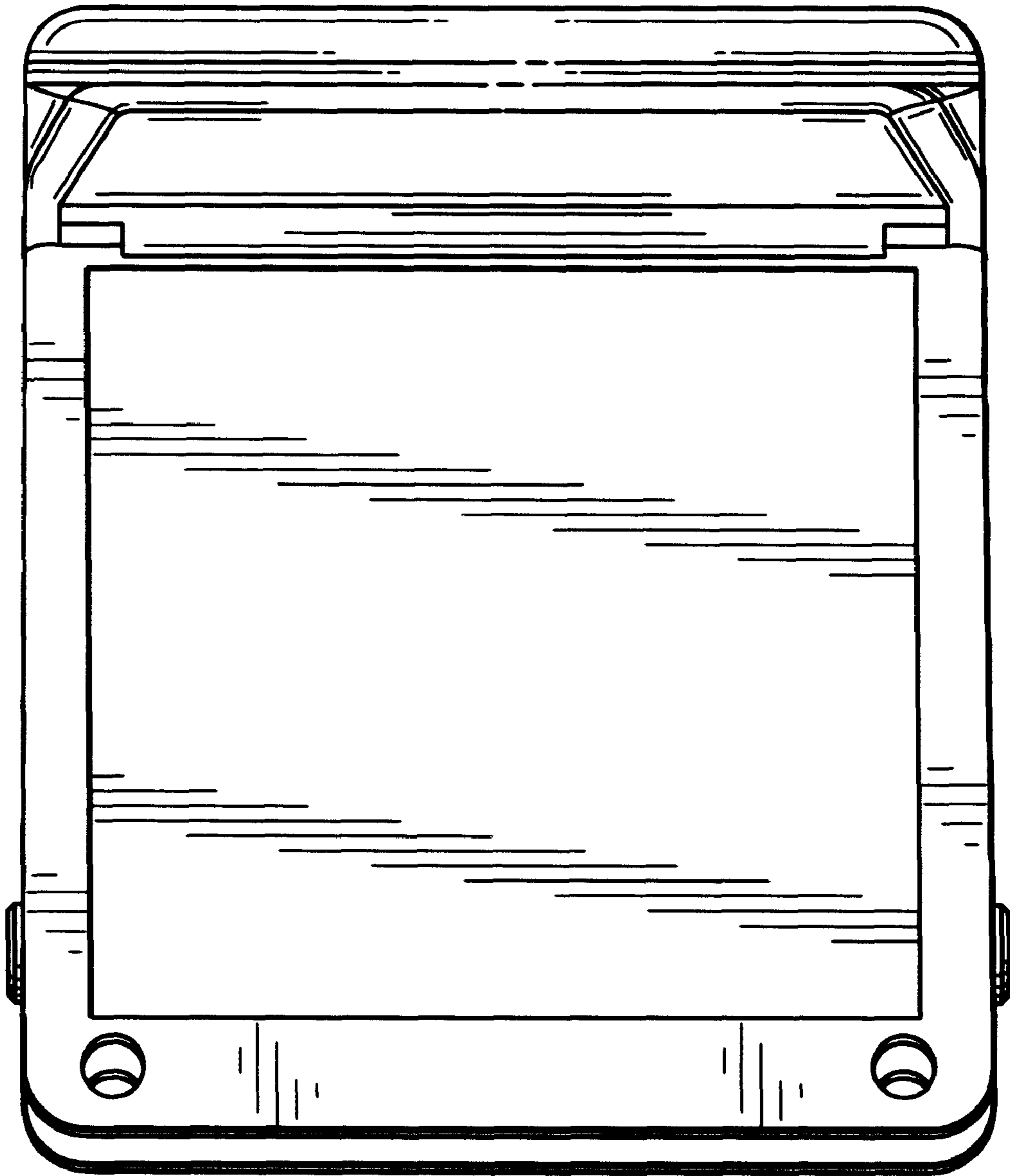


FIG. 6.



**FIG. 7.**