



US00D431752S

United States Patent [19]

[11] Patent Number: **Des. 431,752**

Brandel et al.

[45] Date of Patent: **** Oct. 10, 2000**

[54] **FOOD WASTE DISPOSER**

[75] Inventors: **Robert L Brandel**, Brookfield; **John Komar, Jr.**, Franksville; **Scott W Anderson**, Racine, all of Wis.; **Kenneth R. Parker; Jonathan P Van Dore**, both of Minneapolis, Minn.

[73] Assignee: **Emerson Electric Co.**, St. Louis, Mo.

[**] Term: **14 Years**

[21] Appl. No.: **29/082,734**

[22] Filed: **Jan. 29, 1998**

[51] **LOC (7) Cl.** **06-04**

[52] **U.S. Cl.** **D7/375; D7/372; D7/375;**
241/46.013; 241/46.014; 241/46.015

[58] **Field of Search** D7/372, 375; 241/46.013,
241/46.014, 46.015, 46.016; 4/DIG. 4,
629; 222/421, 465.1; 215/380, 48

[56] **References Cited**

U.S. PATENT DOCUMENTS

- D. 194,128 11/1962 Hawkins D7/375
- D. 207,918 6/1967 Clark D7/375
- D. 212,127 8/1968 Smith D7/375

- D. 226,028 1/1973 Kennedy D7/375
- D. 237,299 10/1975 Pitts D7/375
- 3,165,271 1/1965 Enright 241/300
- 4,717,031 1/1988 Hewson 215/384
- 5,127,587 7/1992 Johnson 241/46.013
- 5,249,749 10/1993 Krebsbach 241/46.016

Primary Examiner—Ruth McInroy
Attorney, Agent, or Firm—Ryan Kromholz & Manion, S.C.

[57] **CLAIM**

The ornamental design for a food waste disposer, as shown and described.

DESCRIPTION

FIG. 1 is a top front perspective view of a food waste disposer showing our new design; FIG. 2 is a top rear perspective view thereof; FIG. 3 is a front elevational view thereof; FIG. 4 is a side elevational view thereof; FIG. 5 is a rear elevational view thereof; FIG. 6 is a top plan view thereof; and, FIG. 7 is a bottom plan view thereof. the portion shown in broken lines in all views is for illustrative purposes only and forms no part of the claimed design.

1 Claim, 6 Drawing Sheets

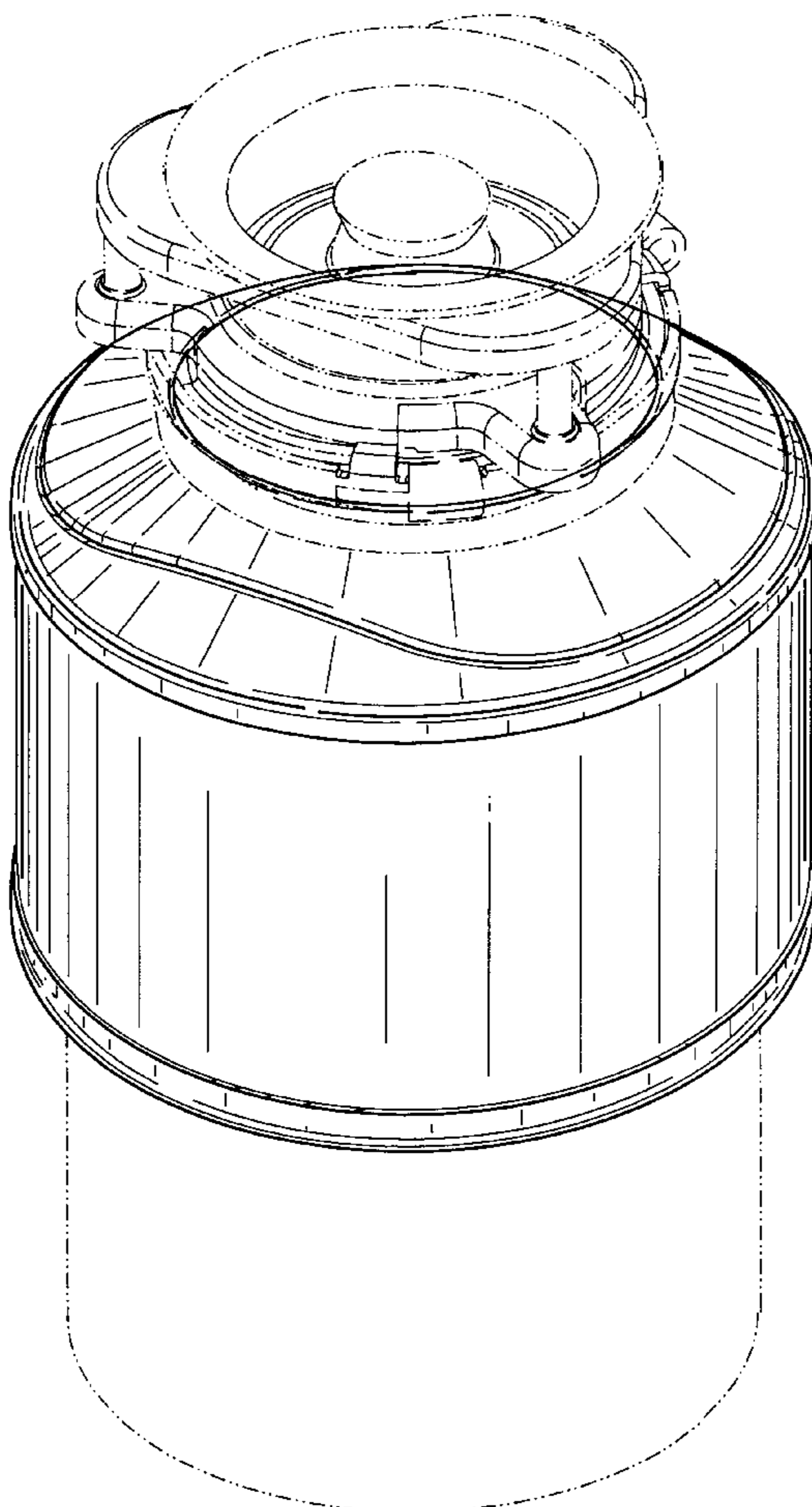


FIG. 1

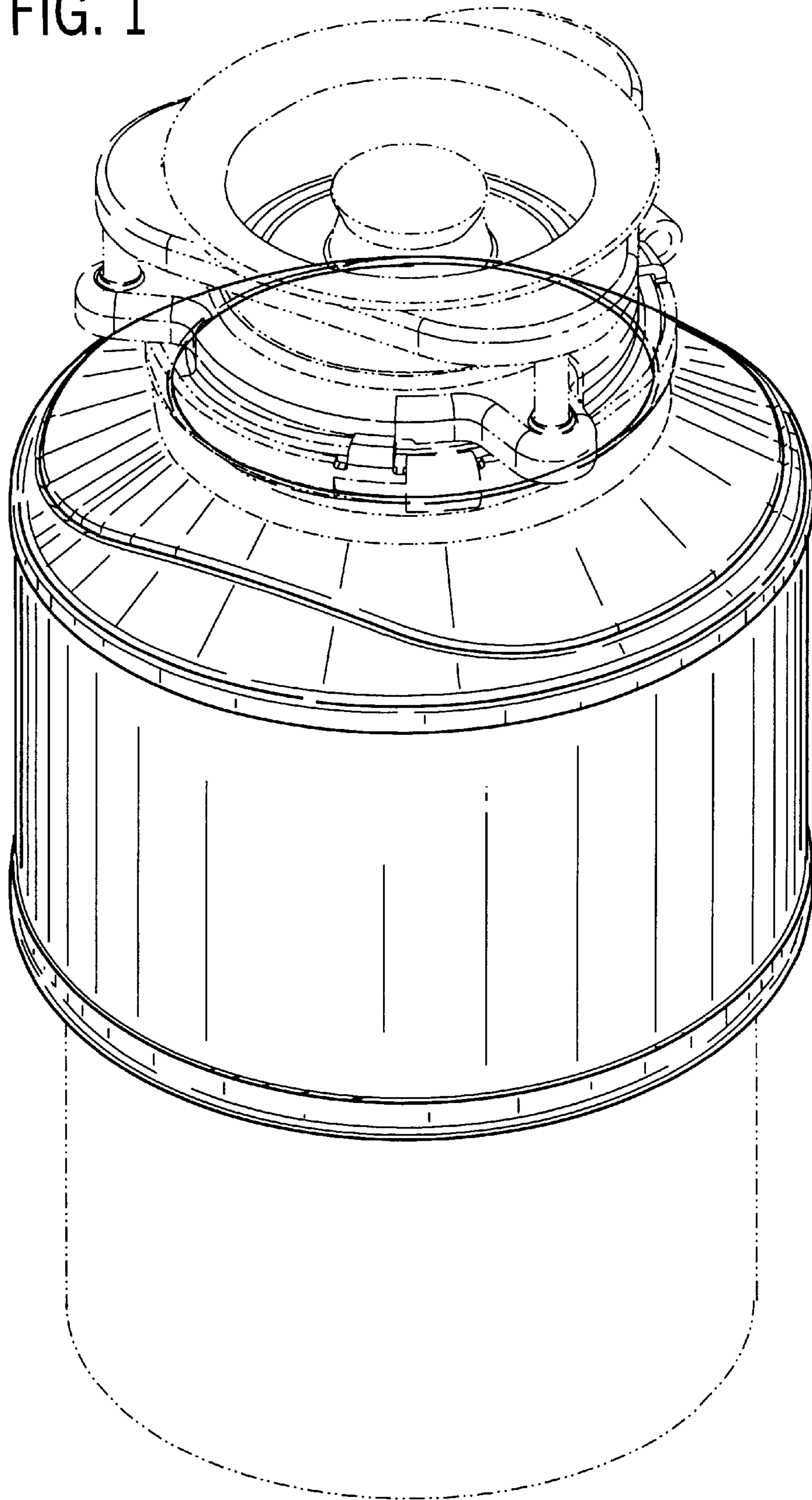


FIG. 2

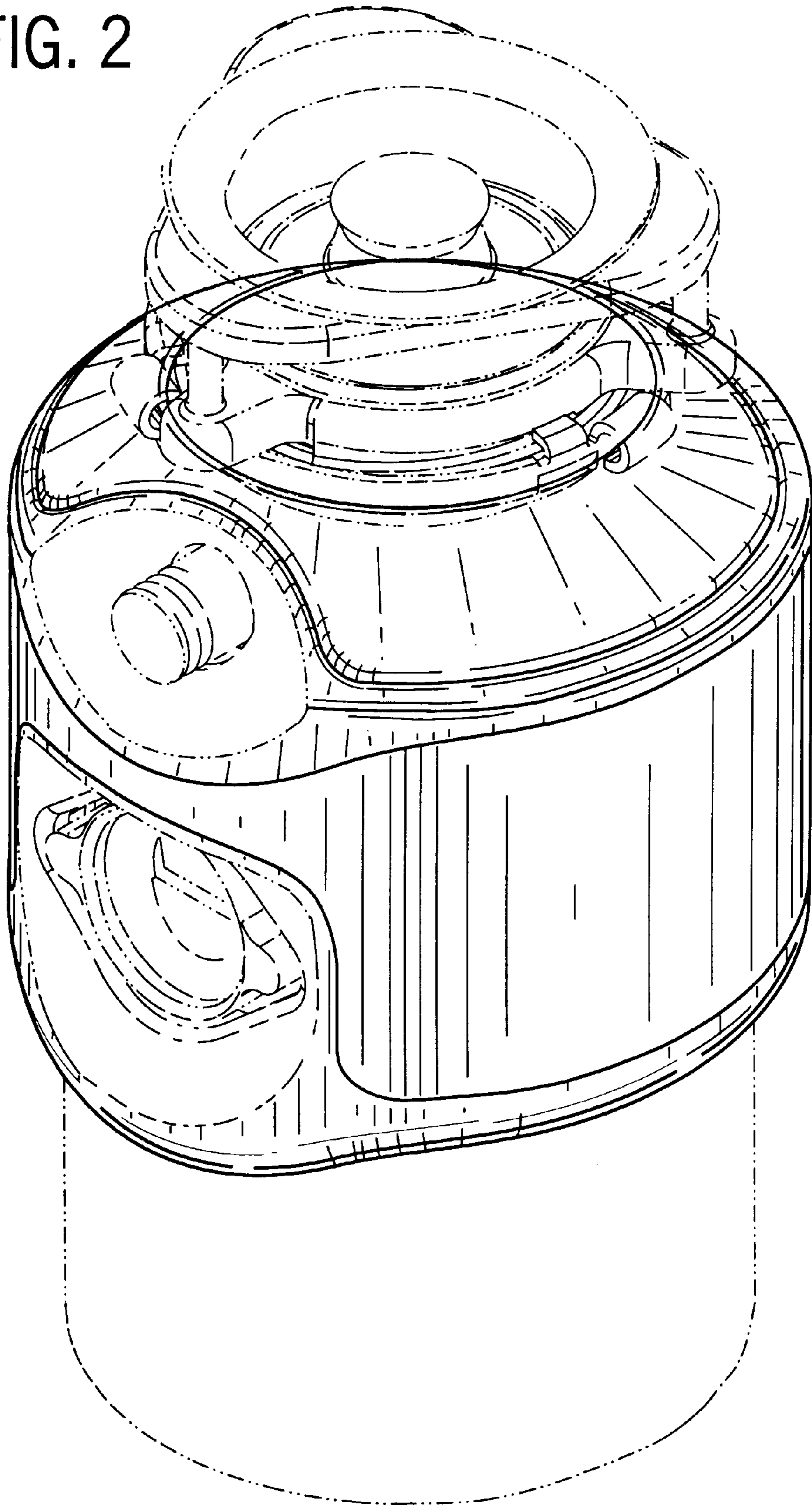


FIG. 3

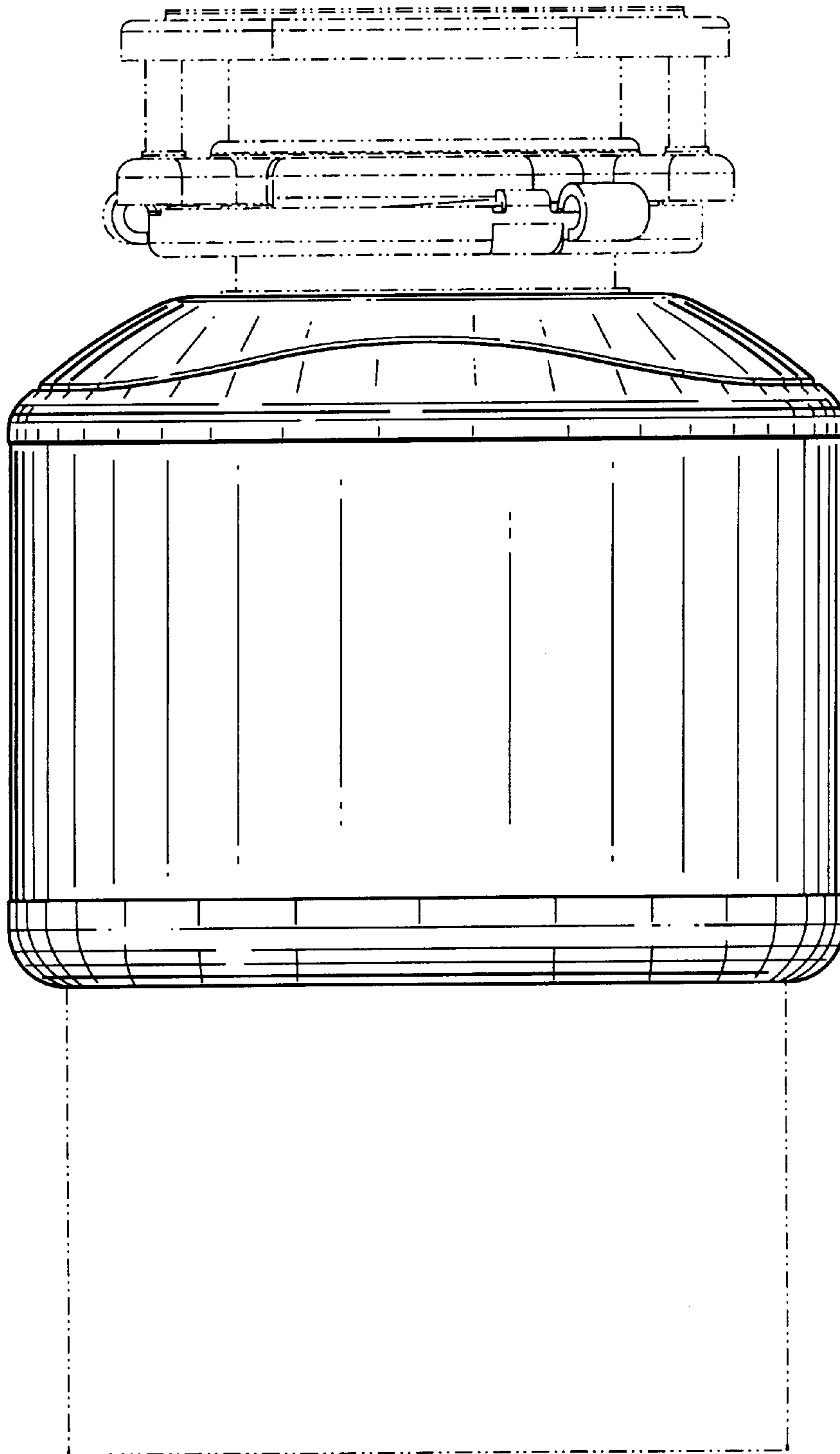


FIG. 4

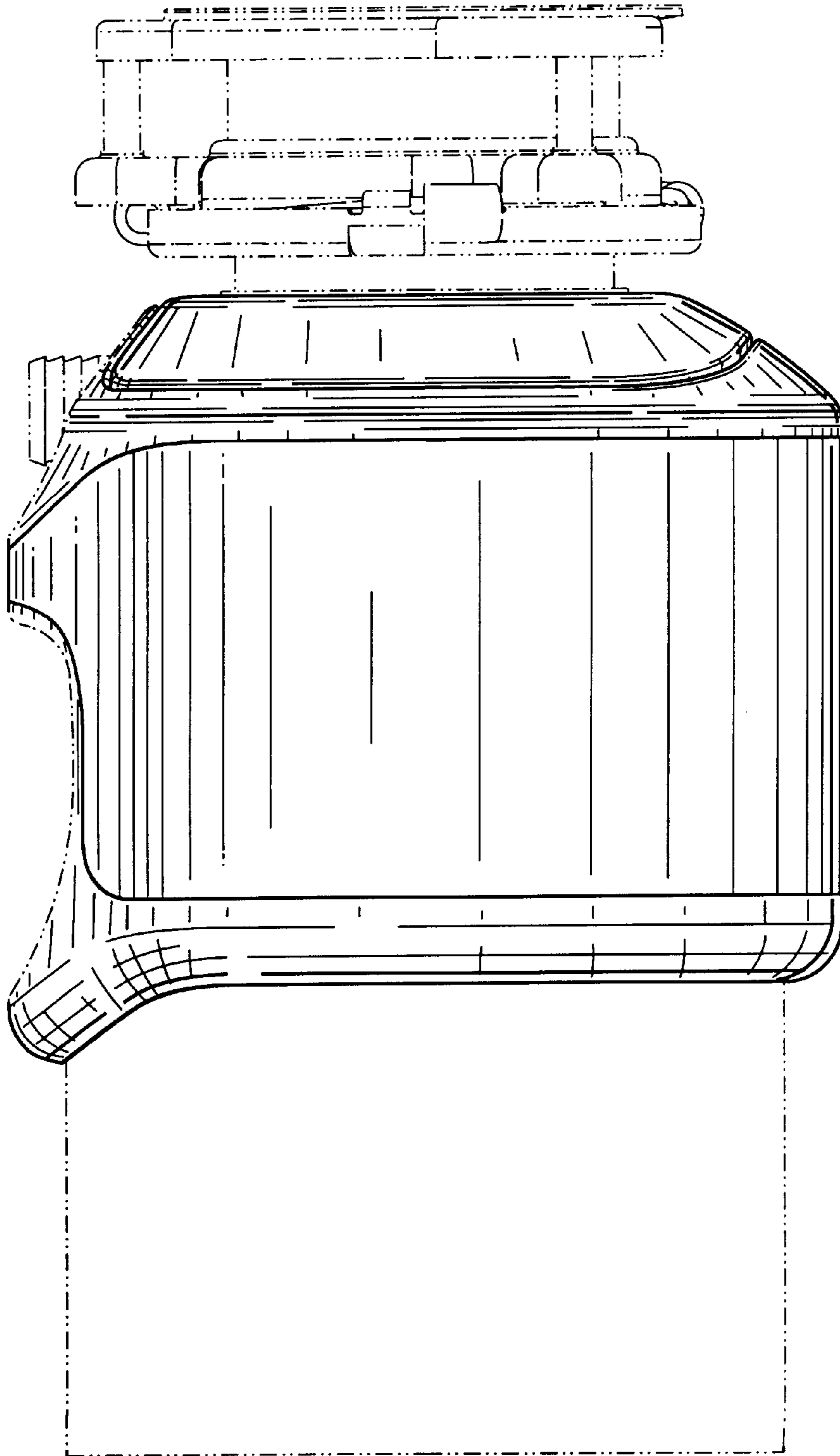


FIG. 5

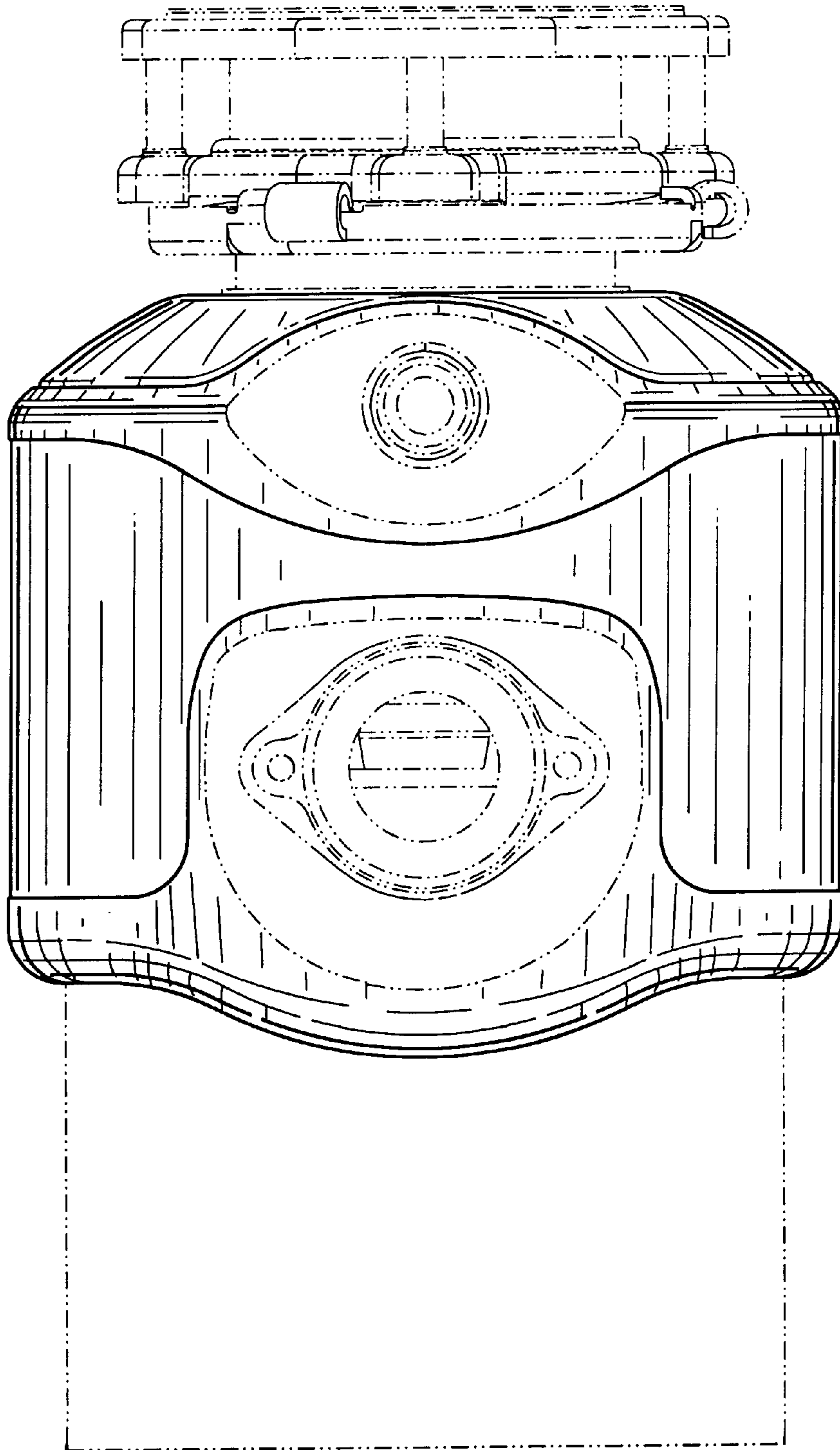


FIG. 6

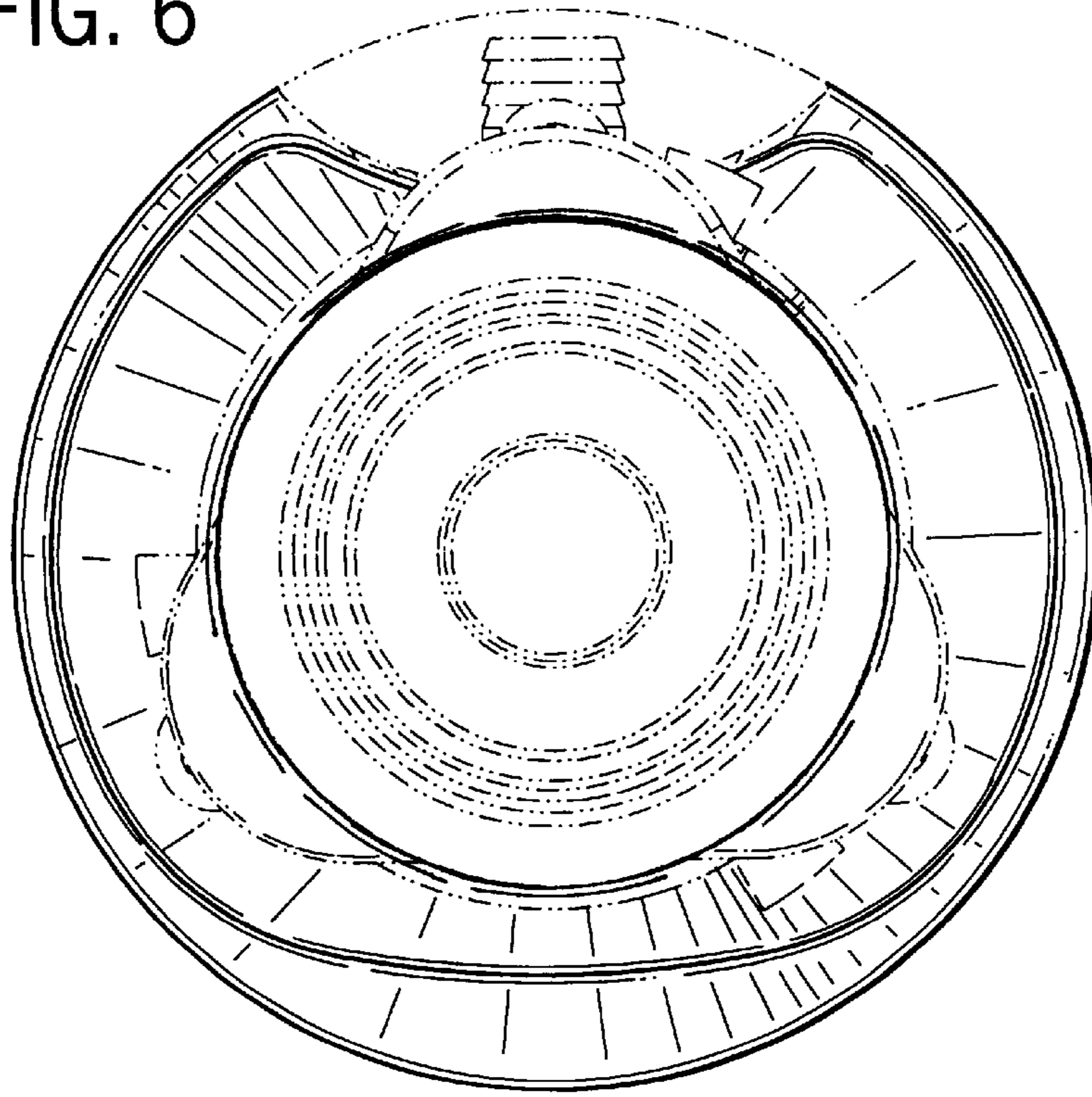


FIG. 7

