



US00D431748S

United States Patent [19] Cahen

[11] Patent Number: Des. 431,748

[45] Date of Patent: ** Oct. 10, 2000

[54] COFFEE MACHINE

[75] Inventor: Antoine Cahen, Lausanne, Switzerland

[73] Assignee: Societe des Produits Nestle, Vevey, Switzerland

[**] Term: 14 Years

[21] Appl. No.: 29/117,771

[22] Filed: Feb. 2, 2000

[51] LOC (7) Cl. 07-01

[52] U.S. Cl. D7/309; D7/310; D7/311

[58] Field of Search D7/300, 309, 310, D7/311, 306, 305; 222/129; 99/295, 304, 283, 279; 210/455; 219/438

[56] **References Cited**

U.S. PATENT DOCUMENTS

D. 277,538	2/1985	Jack	D7/309
D. 323,949	2/1992	Kahlcke	D7/309
D. 324,621	3/1992	Haslacher	D7/309
D. 336,206	6/1993	Littmann	D7/309
D. 340,381	10/1993	Mermillod	D7/309

D. 344,206	2/1994	Azpiri	D7/309
D. 346,298	4/1994	Brady et al.	D7/309
D. 354,193	1/1995	Storsberg	D7/309
D. 360,802	8/1995	Seiffert	D7/309
D. 364,306	11/1995	Storsberg	D7/309
D. 380,334	7/1997	Lin	D7/309
D. 385,455	10/1997	Cortese	D7/309
D. 395,976	7/1998	Seiffert et al.	D7/309
D. 400,046	10/1998	Seiffert	D7/309
D. 414,371	9/1999	Seiffert	D7/309
4,644,856	2/1987	Borgmann	99/295

Primary Examiner—M. N. Pandozzi

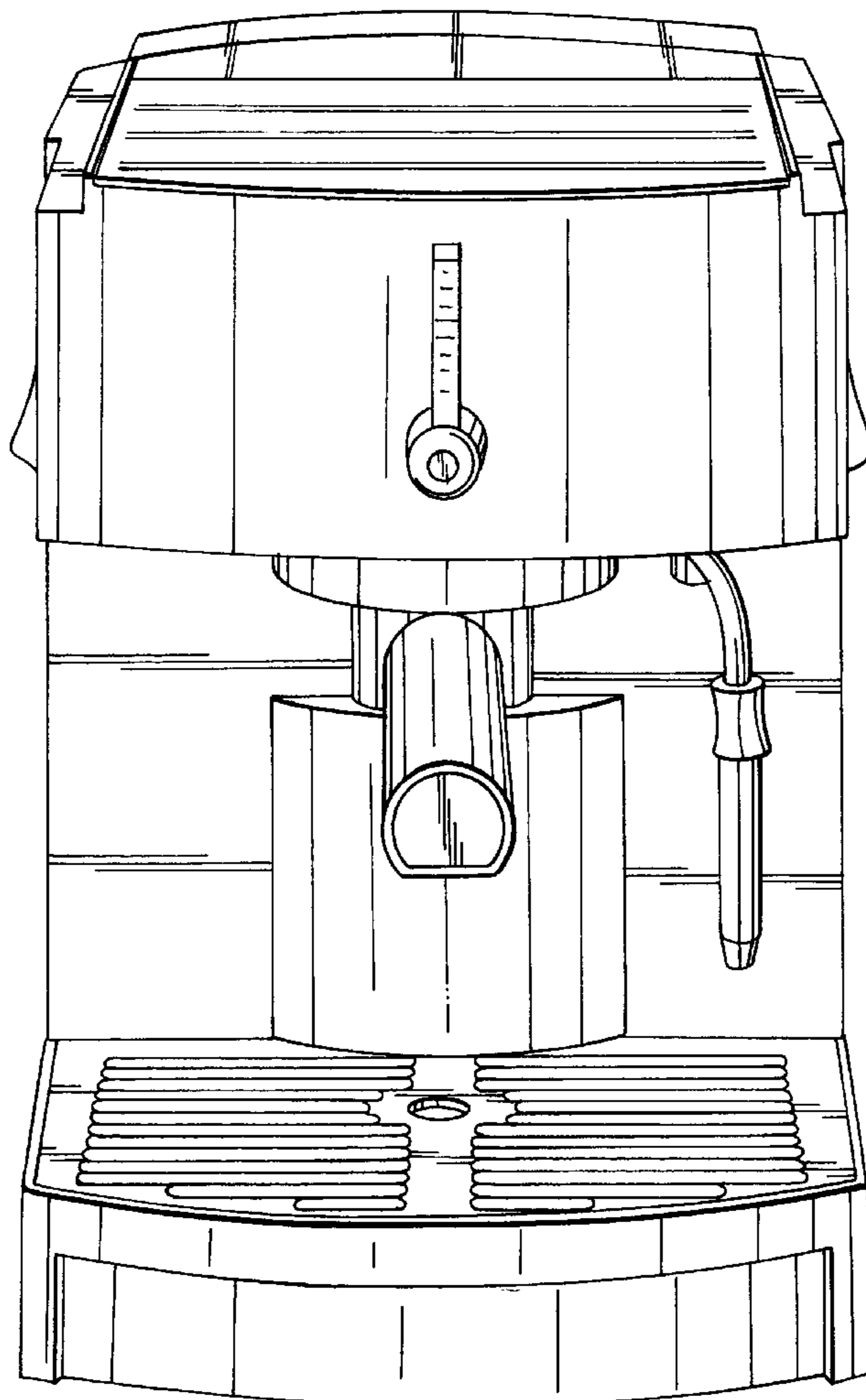
[57] **CLAIM**

The ornamental design for a coffee machine, as shown and described.

DESCRIPTION

FIG. 1 is a front perspective view of a coffee machine showing my new design; FIG. 2 is a side perspective view thereof; and, FIG. 3 is an opposite side perspective view thereof. The portions of the coffee machine that are not shown in the drawings do not form part of the claimed design.

1 Claim, 3 Drawing Sheets



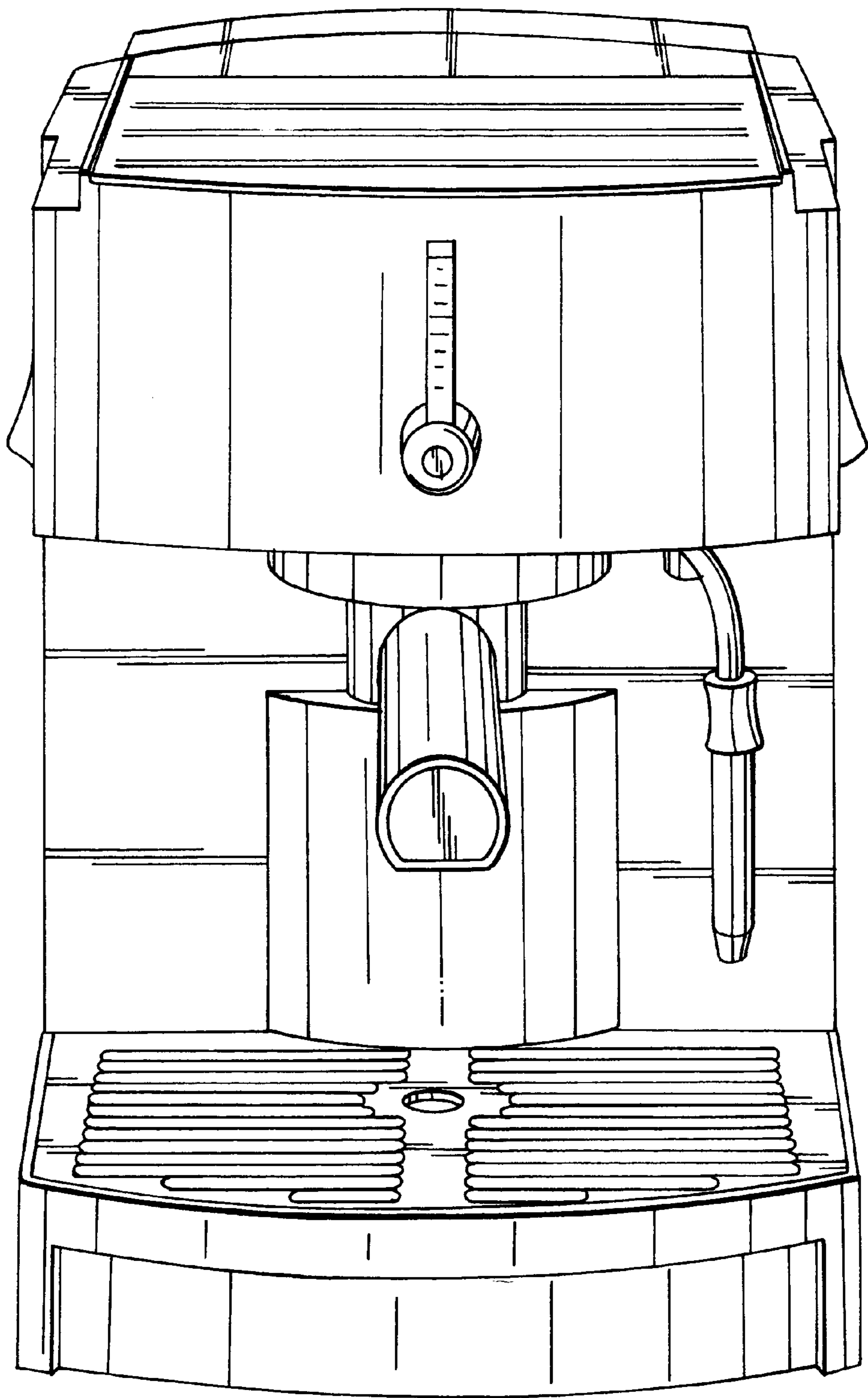


Fig. 1

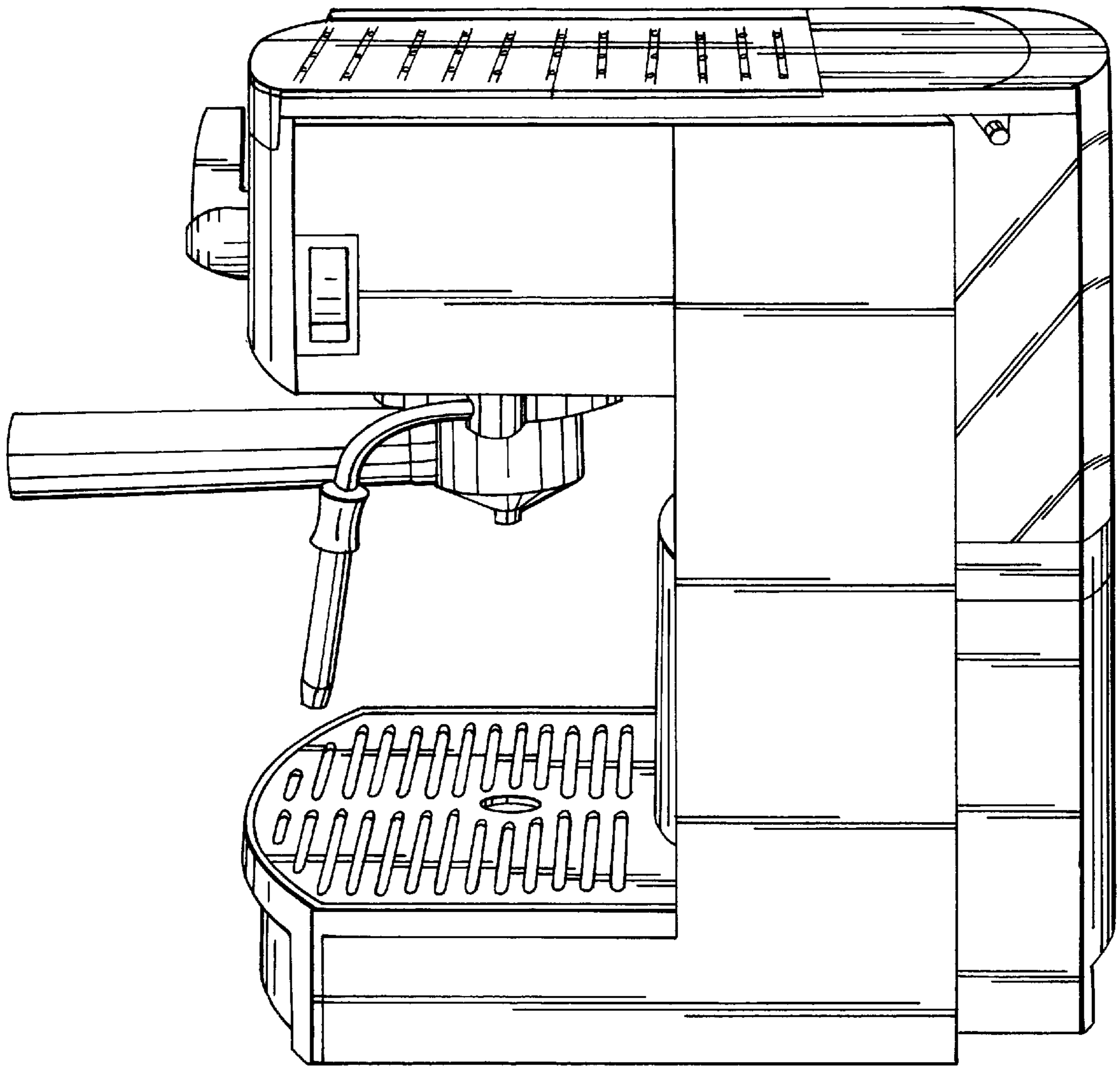


Fig. 2

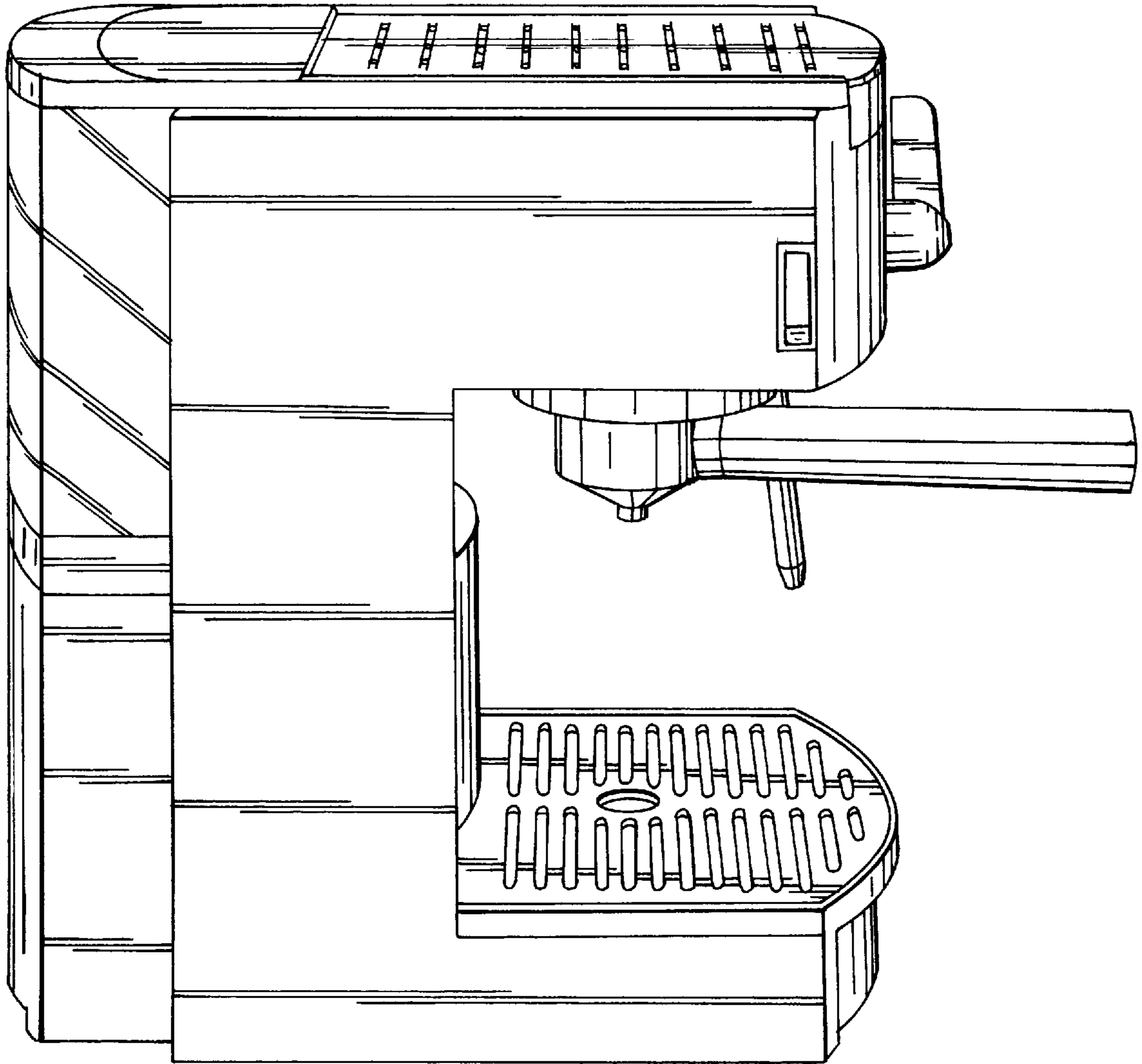


Fig. 3