



US00D431744S

United States Patent [19]

Ali et al.

[11] Patent Number: Des. 431,744

[45] Date of Patent: ** Oct. 10, 2000

[54] DISPLAY RACK FOR ABRASIVE SHEETS

[75] Inventors: Terry Ali; Christopher Ali; Phillip Glenn Ali, all of Fairborn, Ohio

[73] Assignee: Ali Industries, Inc., Fairborn, Ohio

[**] Term: 14 Years

[21] Appl. No.: 29/109,613

[22] Filed: Aug. 18, 1999

[51] LOC (7) Cl. 06-04

[52] U.S. Cl. D6/567

[58] Field of Search D6/553, 567, 569, D6/570, 574; 206/207, 215, 449, 557; 211/13.1, 44, 45, 49.1, 50, 56, 126.1

[56] References Cited

U.S. PATENT DOCUMENTS

D. 356,461	3/1995	May et al.	D6/567
D. 364,796	12/1995	Yates	D6/574 X
D. 398,180	9/1998	Winter et al.	D6/574
D. 415,378	10/1999	Fried et al.	D6/553 X
4,687,094	8/1987	Allsop et al.	206/207 X

Primary Examiner—Brian N. Vinson
Attorney, Agent, or Firm—R. William Graham

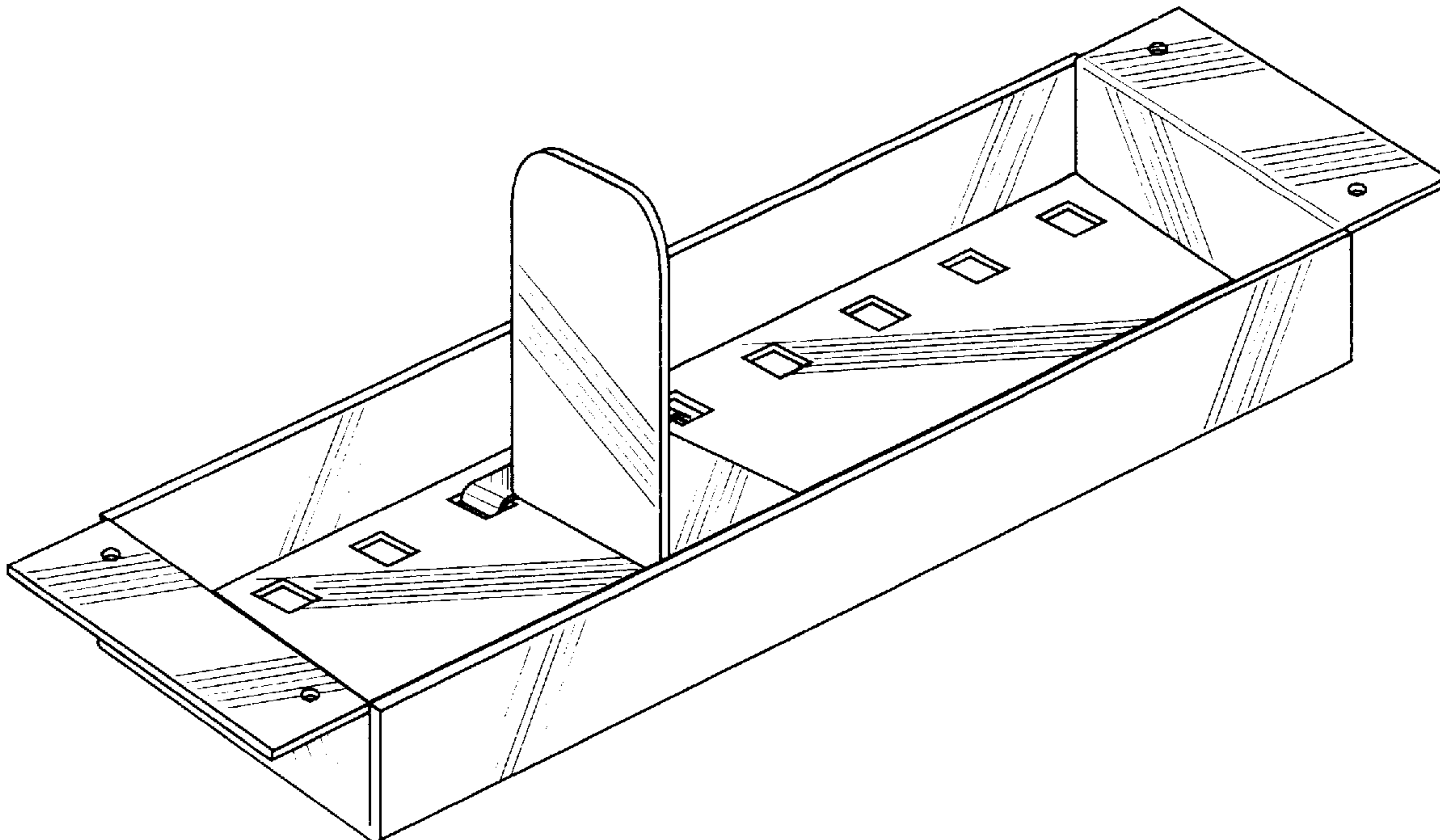
[57] CLAIM

The ornamental design for a display rack for abrasive sheets, as shown and described.

DESCRIPTION

FIG. 1 is a top, front, and right side perspective view of a display rack for abrasive sheets showing our new design; FIG. 2 is a front elevational view of the rack portion thereof, the rear being identical in appearance; FIG. 3 is a side elevational view of the rack portion thereof, the opposite side being identical in appearance; FIG. 4 is a top plan view of the rack portion thereof; FIG. 5 is a bottom plan view of the rack portion thereof; FIG. 6 is a top, front, and right side perspective view of the rack portion thereof; FIG. 7 is top, front, and right side perspective view of the divider tab portion thereof; FIG. 8 is an enlarged front elevational view of the divider tab portion thereof; FIG. 9 is an enlarged rear elevational view of the divider tab portion thereof; FIG. 10 is an enlarged top plan view of the divider tab portion thereof; FIG. 11 is an enlarged bottom plan view of the divider tab portion thereof; and, FIG. 12 is an enlarged right side elevational view of the divider tab portion thereof, the left side being a mirror image of that shown.

1 Claim, 3 Drawing Sheets



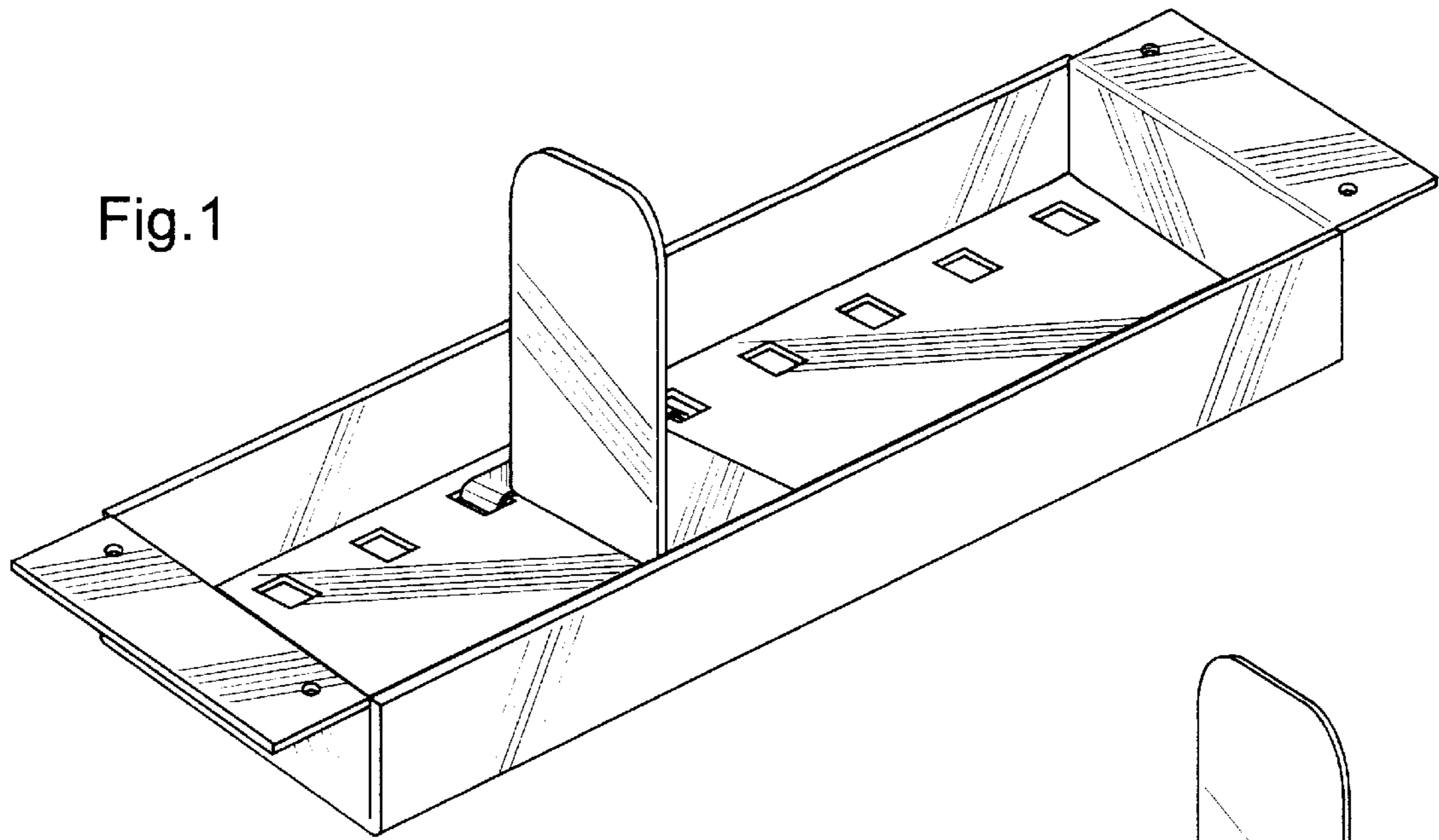


Fig. 1

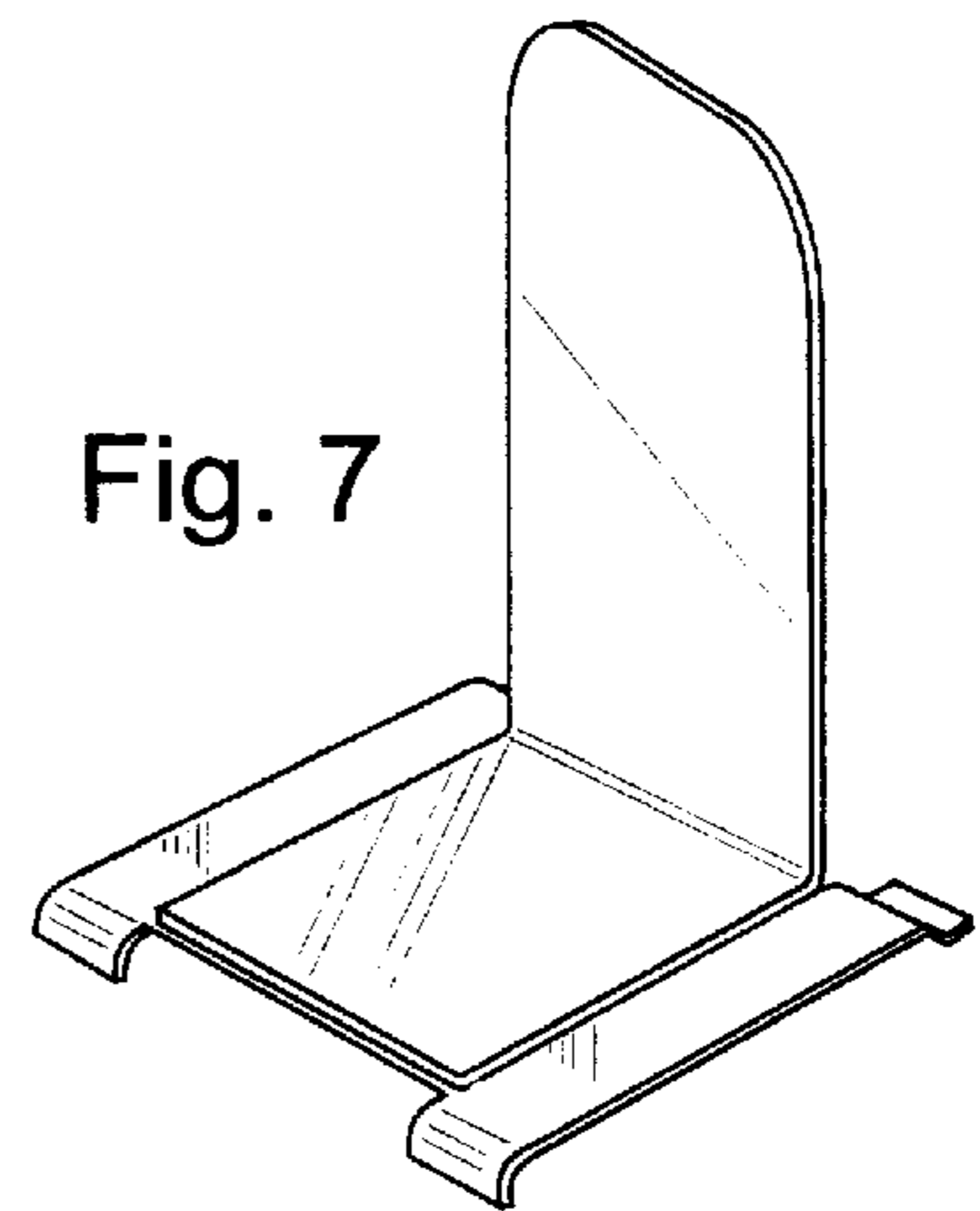


Fig. 7

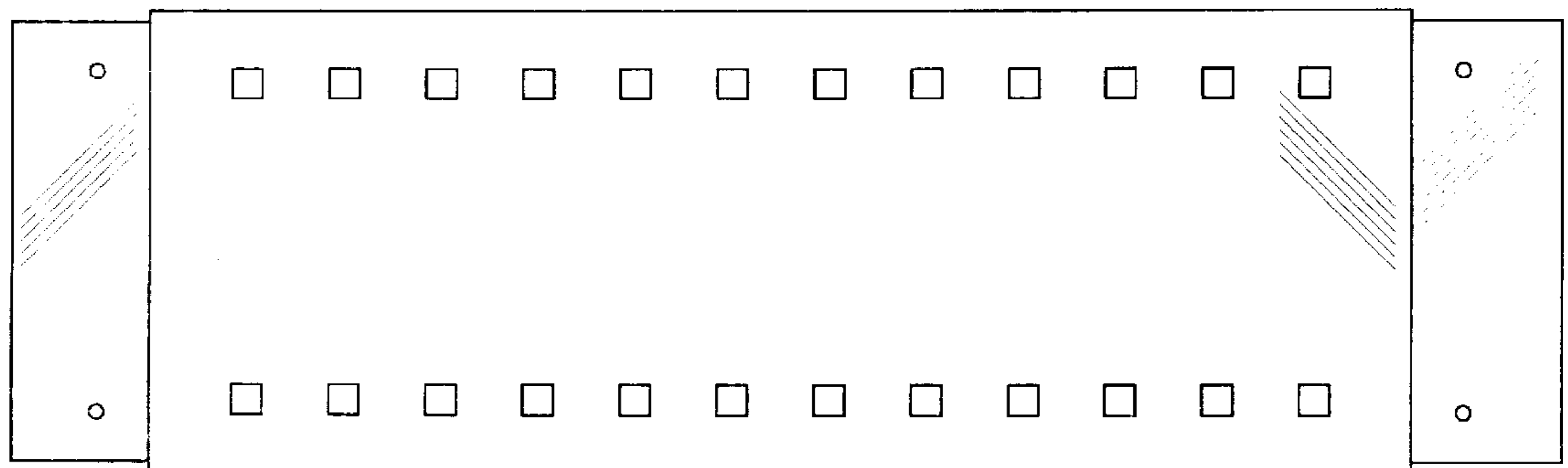


Fig. 5

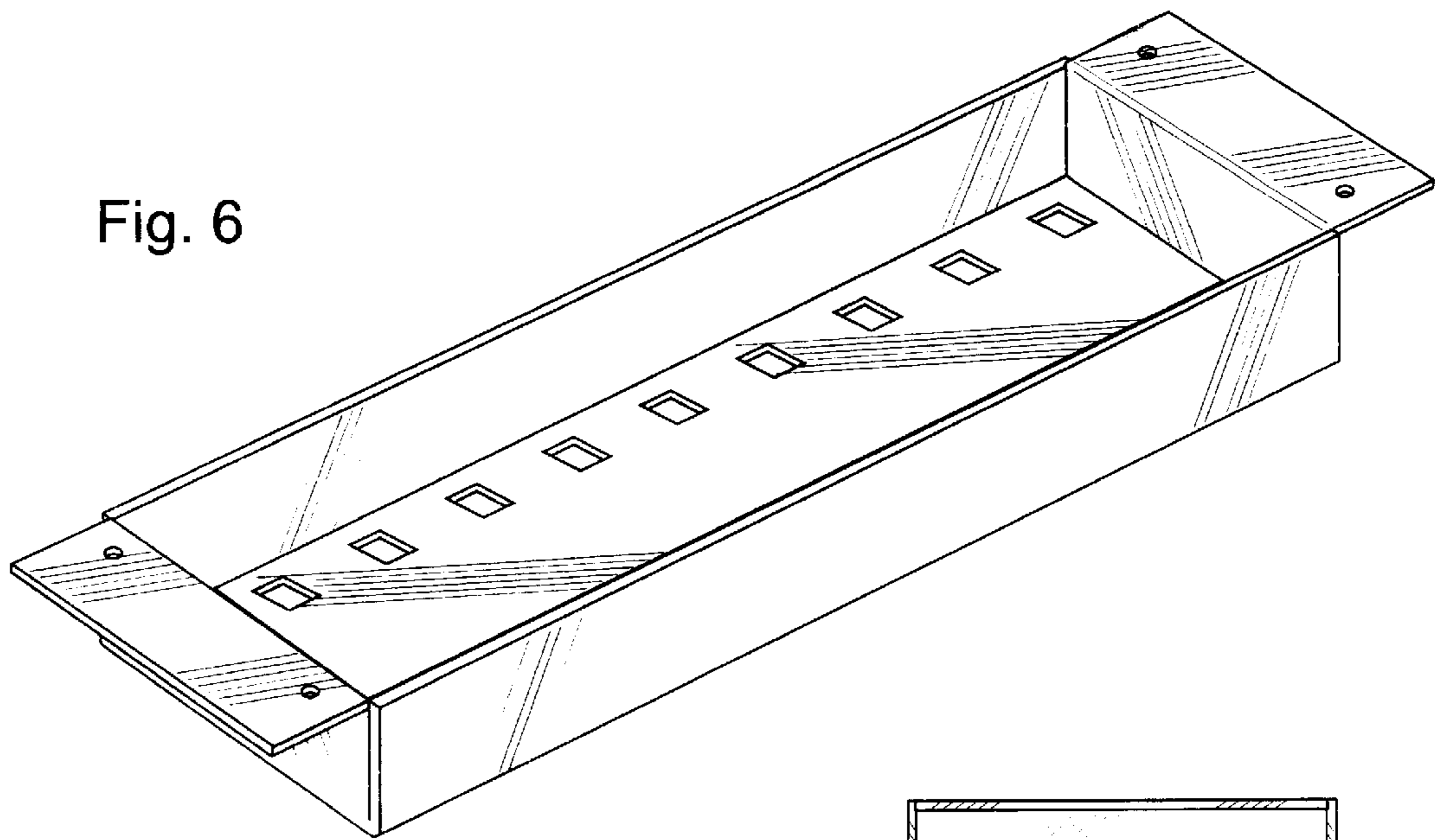


Fig. 6

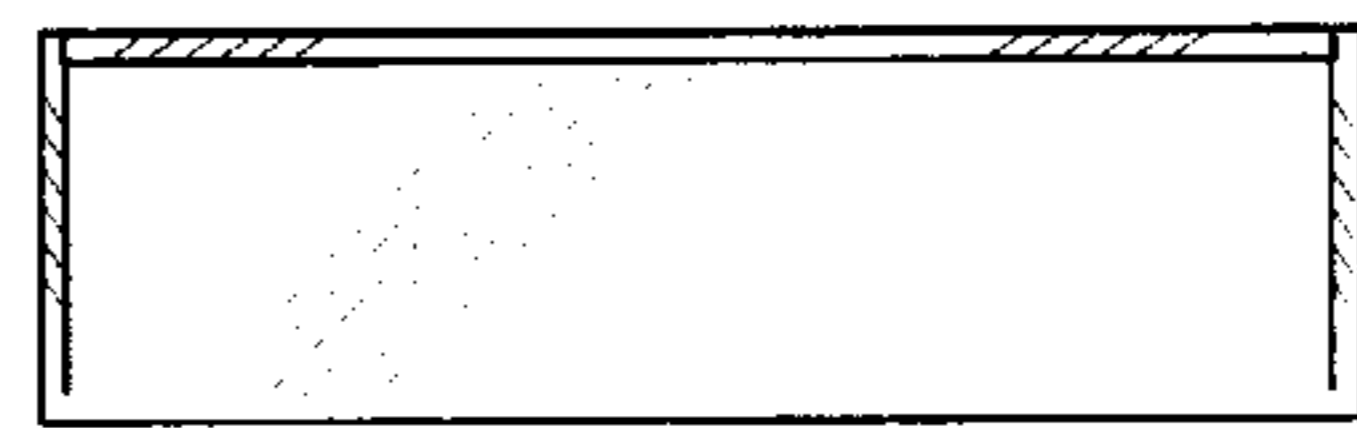


Fig. 2

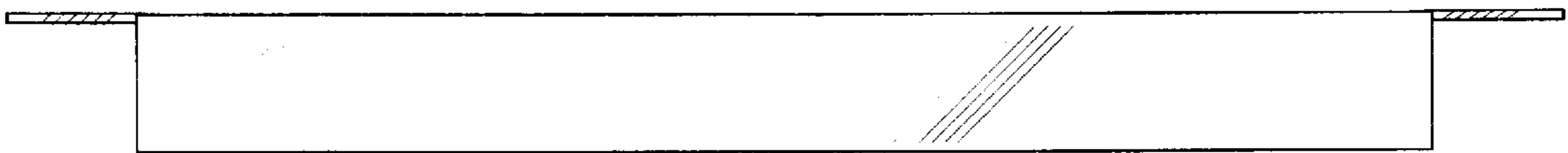


Fig. 3

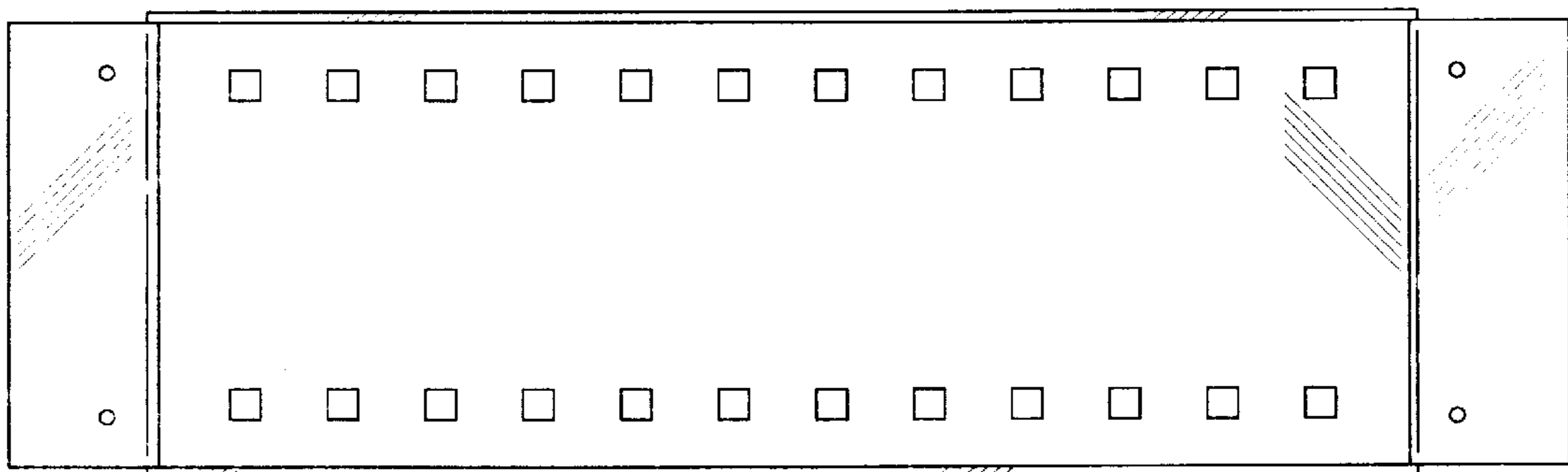


Fig. 4

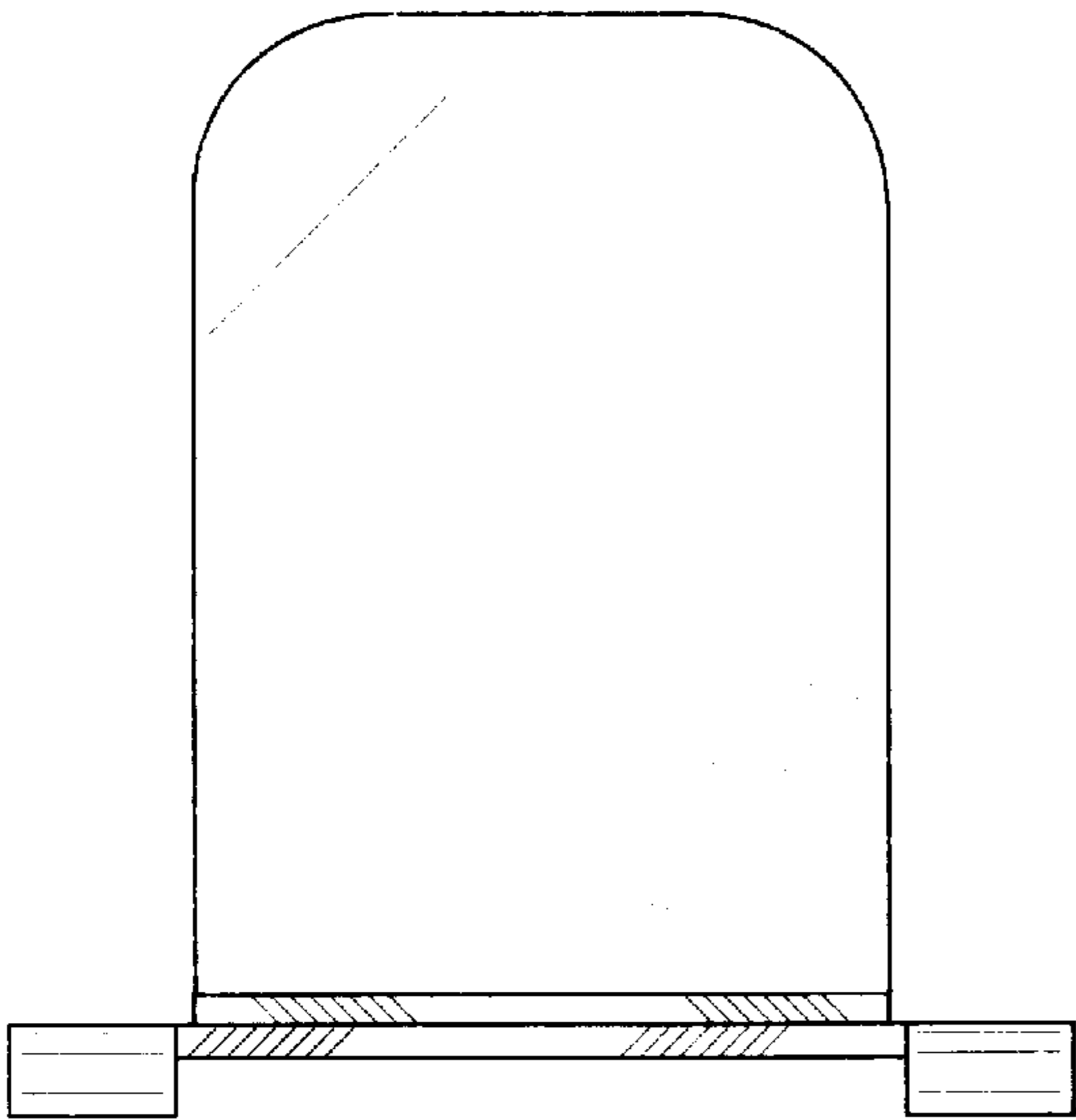


Fig. 8

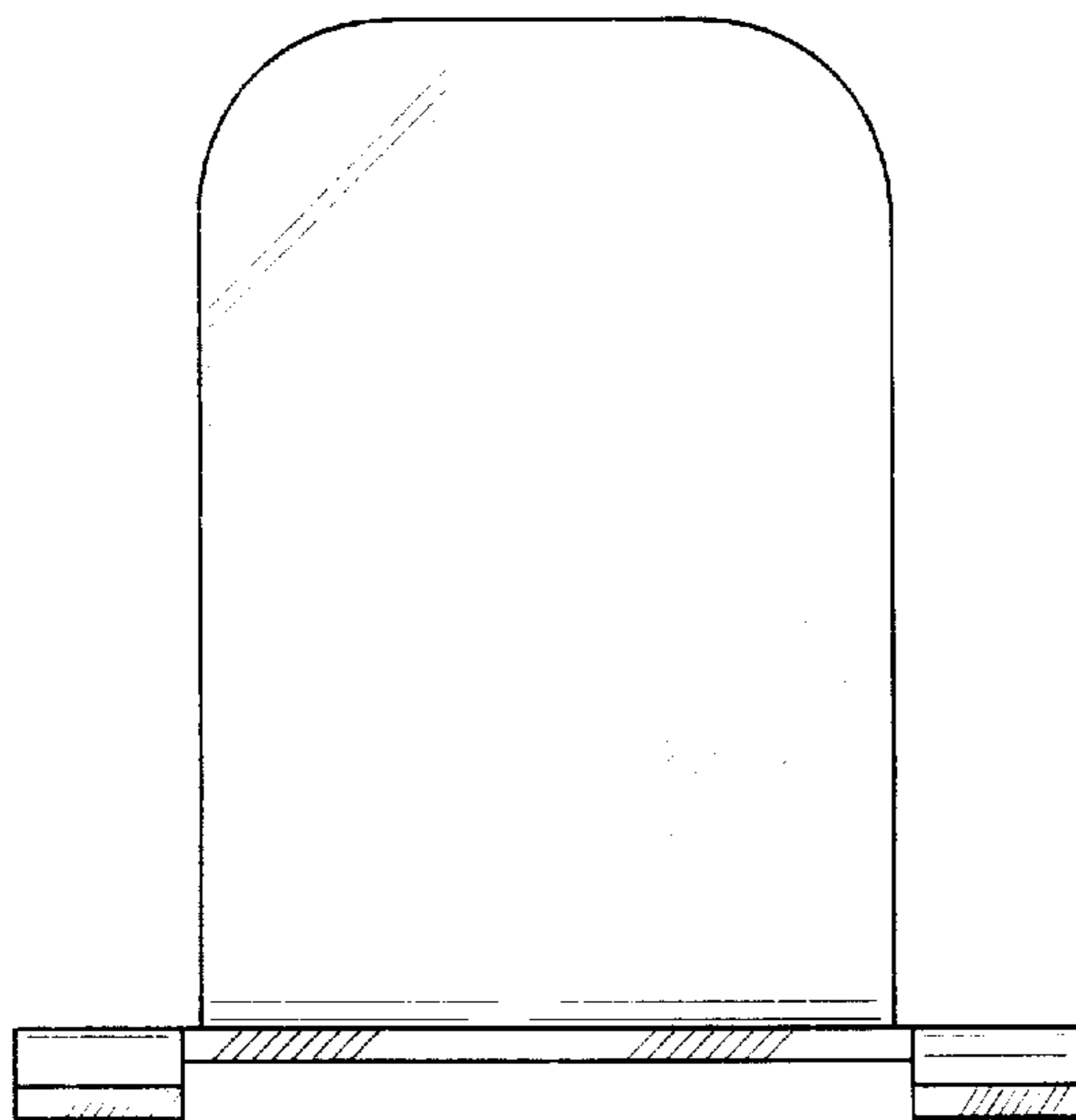


Fig. 9

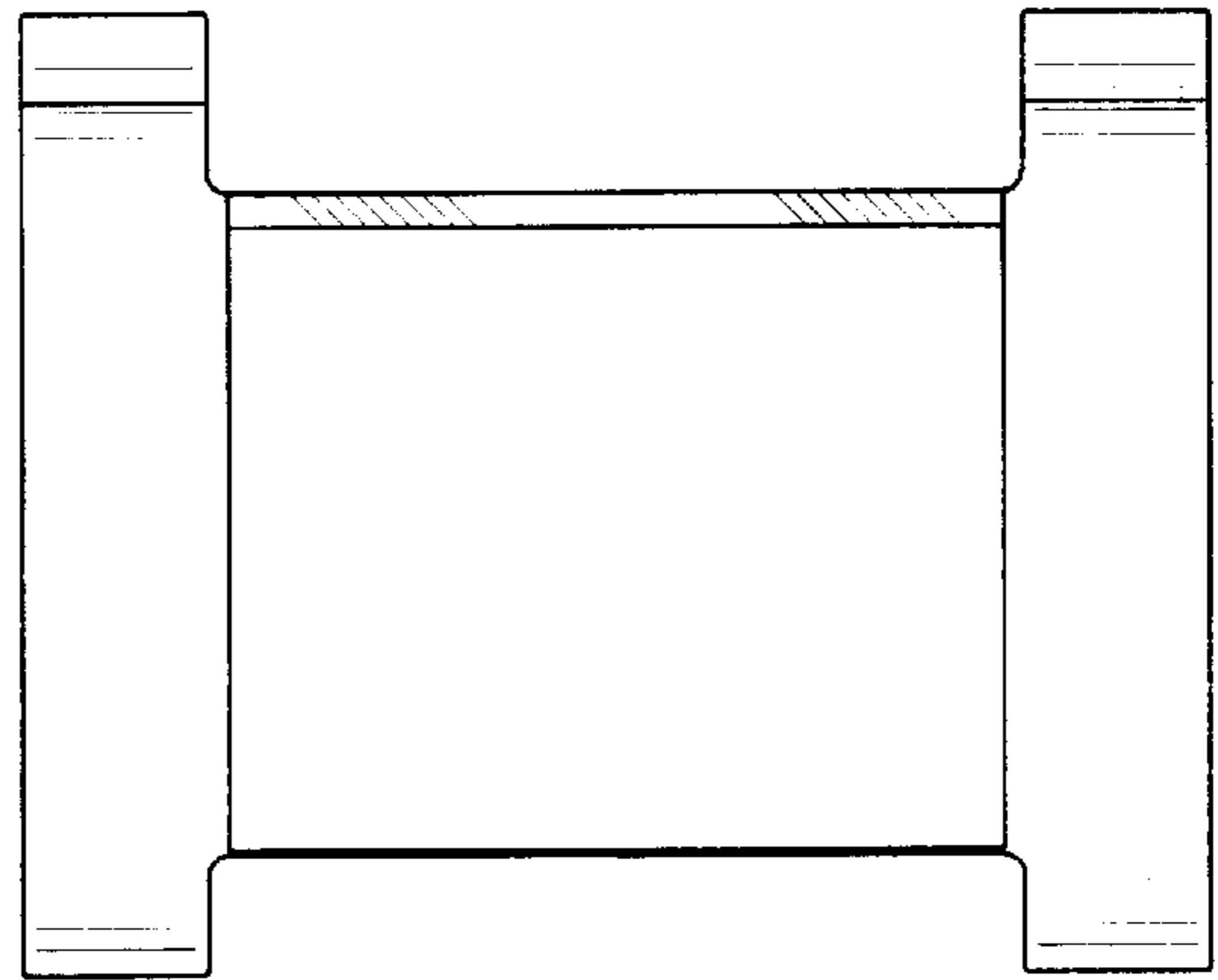


Fig. 10

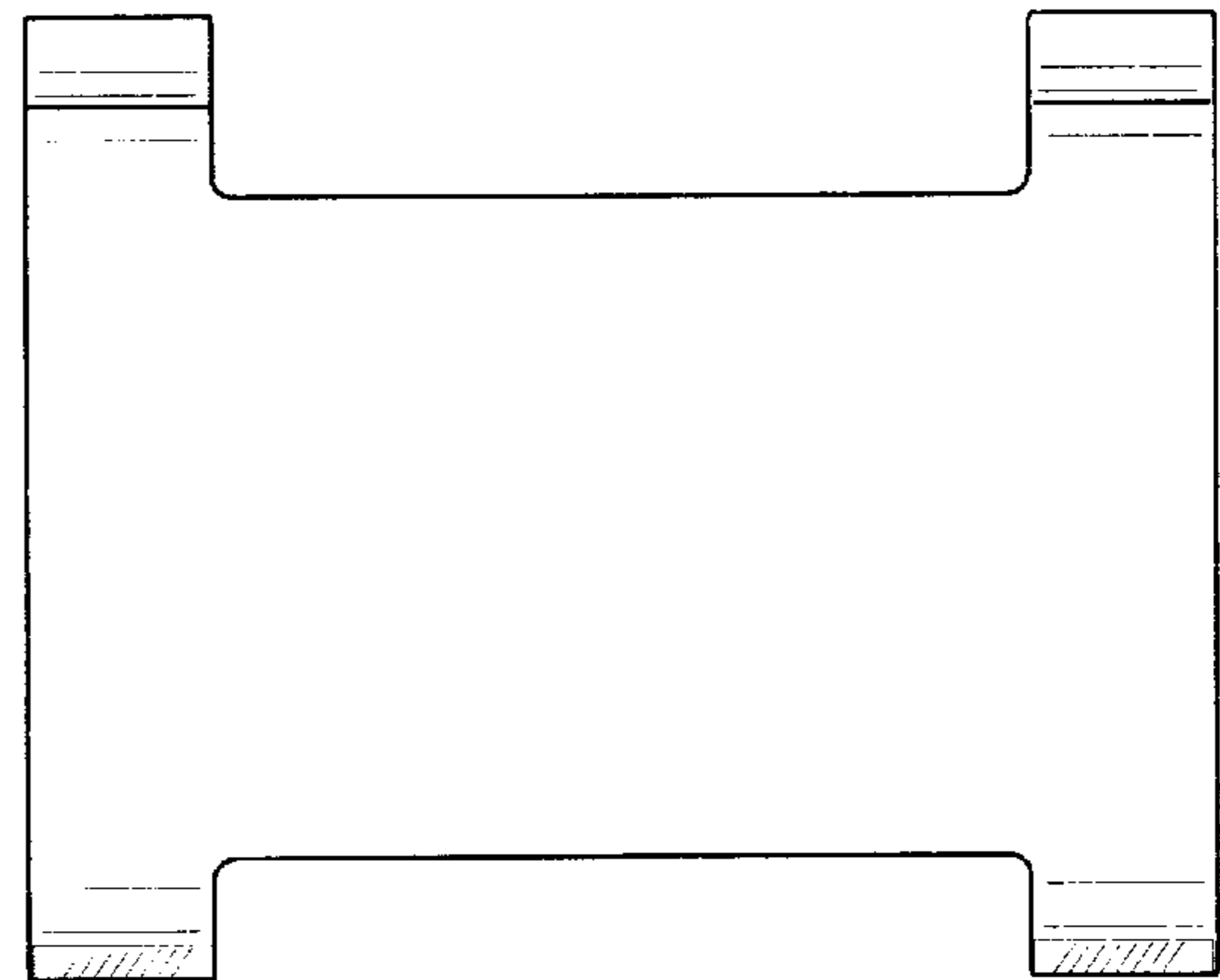


Fig. 11

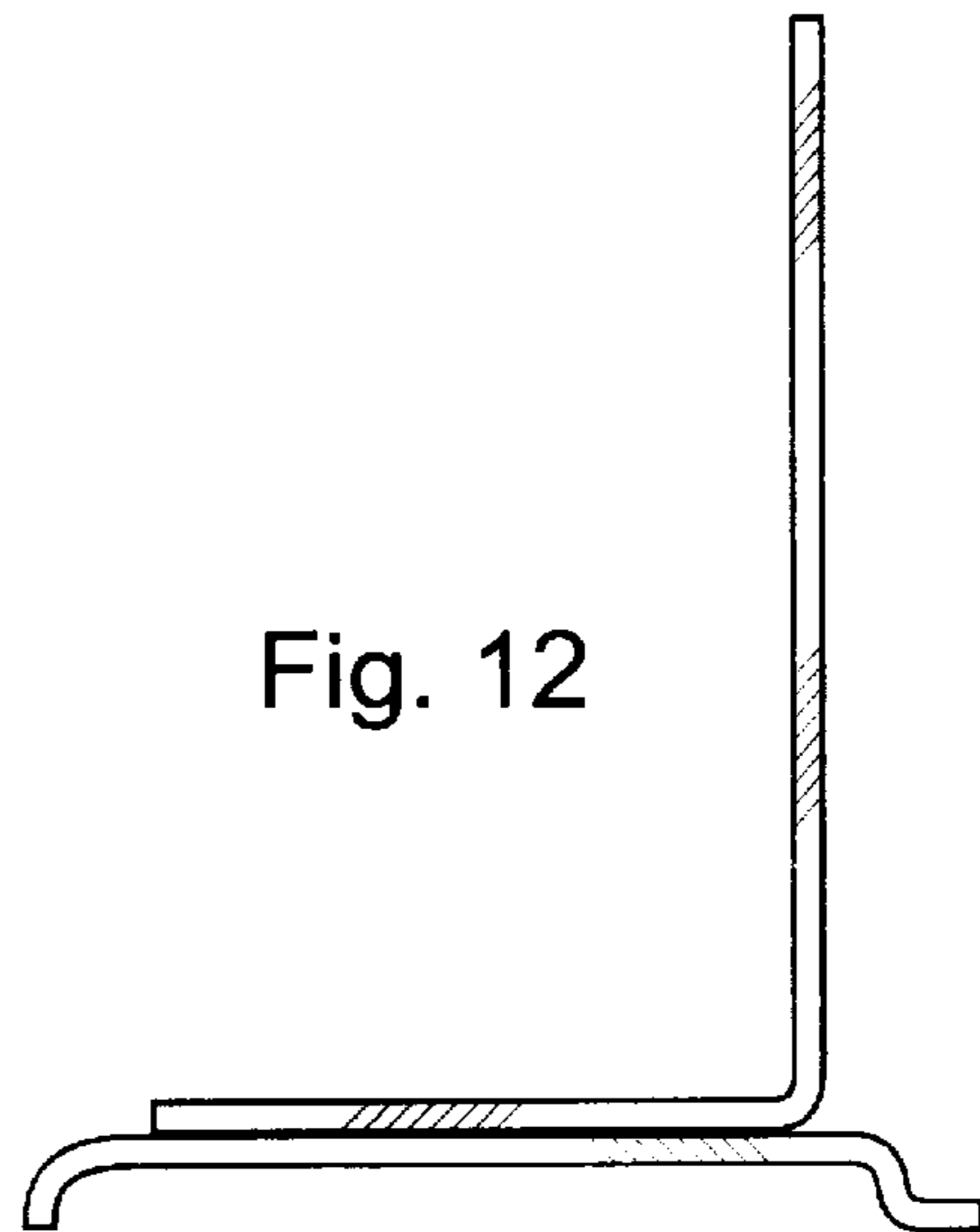


Fig. 12