



US00D431739S

**United States Patent** [19]  
**Rives**

[11] **Patent Number: Des. 431,739**  
[45] **Date of Patent: \*\* Oct. 10, 2000**

[54] **FURNITURE LEG**

[75] Inventor: **Eric C. Rives**, Wyoming, Mich.

[73] Assignee: **Steelcase Development Inc.**, Grand Rapids, Mich.

[\*\*] Term: **14 Years**

[21] Appl. No.: **29/103,160**

[22] Filed: **Apr. 9, 1999**

[51] **LOC (7) Cl.** ..... **06-06**

[52] **U.S. Cl.** ..... **D6/495**

[58] **Field of Search** ..... D6/480-489, 495,  
D6/496, 498, 499, 429, 477, 422; 108/153.1,  
155, 156, 157.1, 161; 248/188, 188.1, 188.7,  
188.8

- 4,714,025 12/1987 Wallin et al. .
- 5,224,429 7/1993 Borgman et al. .
- 5,259,326 11/1993 Borgman et al. .
- 5,322,025 6/1994 Sherman et al. .
- 5,323,695 6/1994 Borgman et al. .
- 5,553,550 9/1996 Doyle .
- 5,598,789 2/1997 Jonker .
- 5,601,037 2/1997 Meyer et al. .
- 5,752,448 5/1998 Eyre .
- 5,819,669 10/1998 Eyre .
- 5,845,590 12/1998 Seidl .
- 5,857,415 1/1999 Richard .

*Primary Examiner*—Janice E. Seeger  
*Attorney, Agent, or Firm*—Price Heneveld Cooper Dewitt & Litton

[57] **CLAIM**

The ornamental design for a furniture leg, as shown and described.

[56] **References Cited**

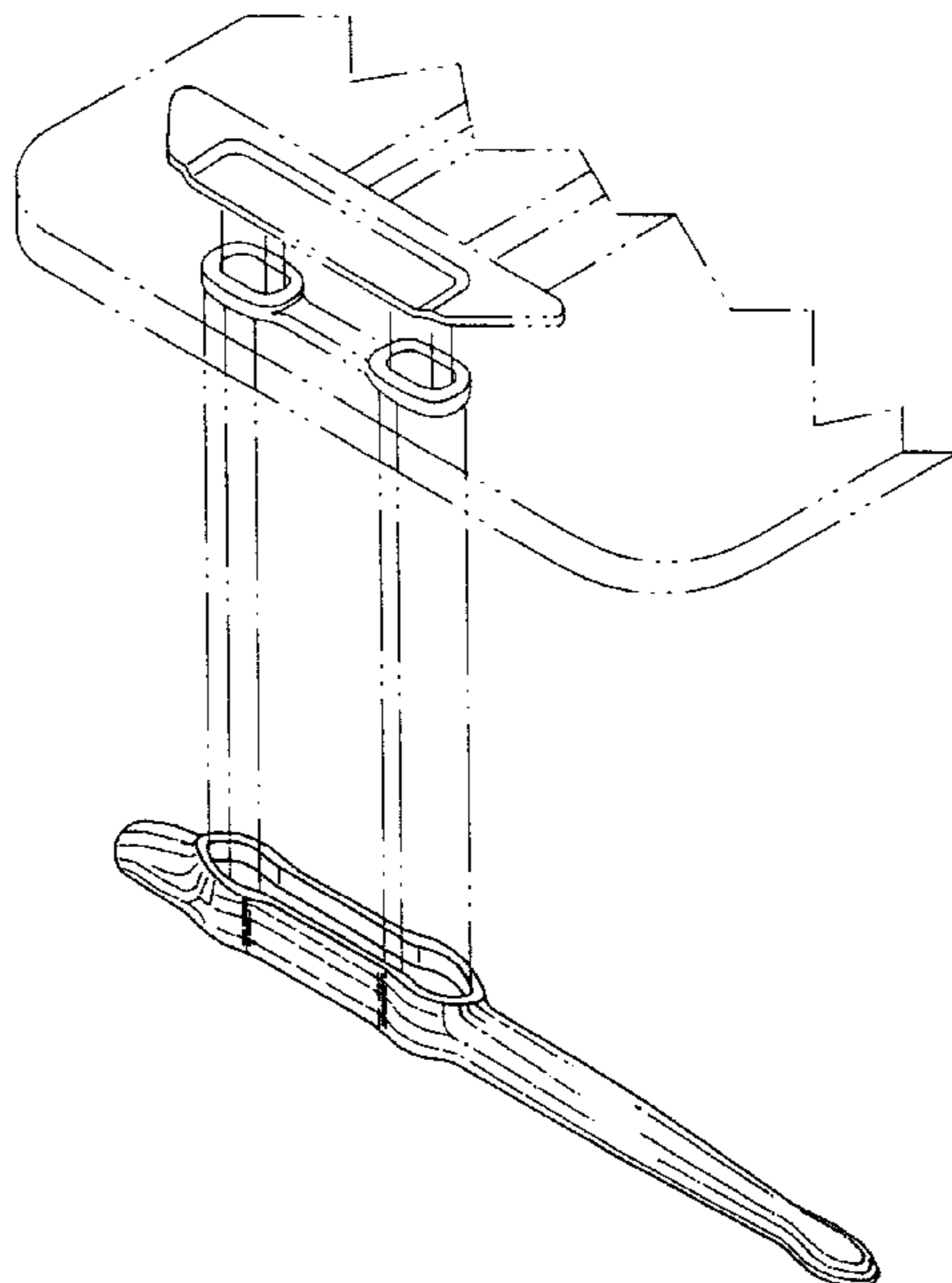
**U.S. PATENT DOCUMENTS**

- D. 183,556 9/1958 Close .
- D. 183,557 9/1958 Close .
- D. 183,558 9/1958 Close .
- D. 197,653 3/1964 Sundberg et al. .
- D. 277,717 2/1985 Petrick .
- D. 288,750 3/1987 Friedman .
- D. 314,299 2/1991 Diffrient .
- D. 320,320 10/1991 Ditshuizen ..... D6/422
- D. 330,302 10/1992 Heidmann .
- D. 332,887 2/1993 Fjello-Jensen .
- D. 352,845 11/1994 Hellwig et al. .
- D. 370,579 6/1996 Simon ..... D6/484
- D. 379,127 5/1997 Schacht .
- D. 379,273 5/1997 Sims .
- D. 379,411 5/1997 Funk .
- D. 391,789 3/1998 Schacht .
- D. 399,079 10/1998 Hylén .
- D. 406,201 3/1999 Olson et al. .
- 4,440,096 4/1984 Rice et al. .

**DESCRIPTION**

FIG. 1 is a front perspective view of our furniture leg design; FIG. 2 is a right side view thereof, the left side being a mirror image; FIG. 3 is a front view thereof; FIG. 4 is a rear view thereof; and FIG. 5 is a top view thereof. FIG. 6 is a front perspective view of a second embodiment of our furniture leg design; FIG. 7 is a right side view thereof, the left side being a mirror image; FIG. 8 is a front view thereof; FIG. 9 is a rear view thereof; and, FIG. 10 is a top view thereof. The phantom lines in FIGS. 1 and 6 show environment structure and do not form a part of the design sought to be patented.

**1 Claim, 2 Drawing Sheets**



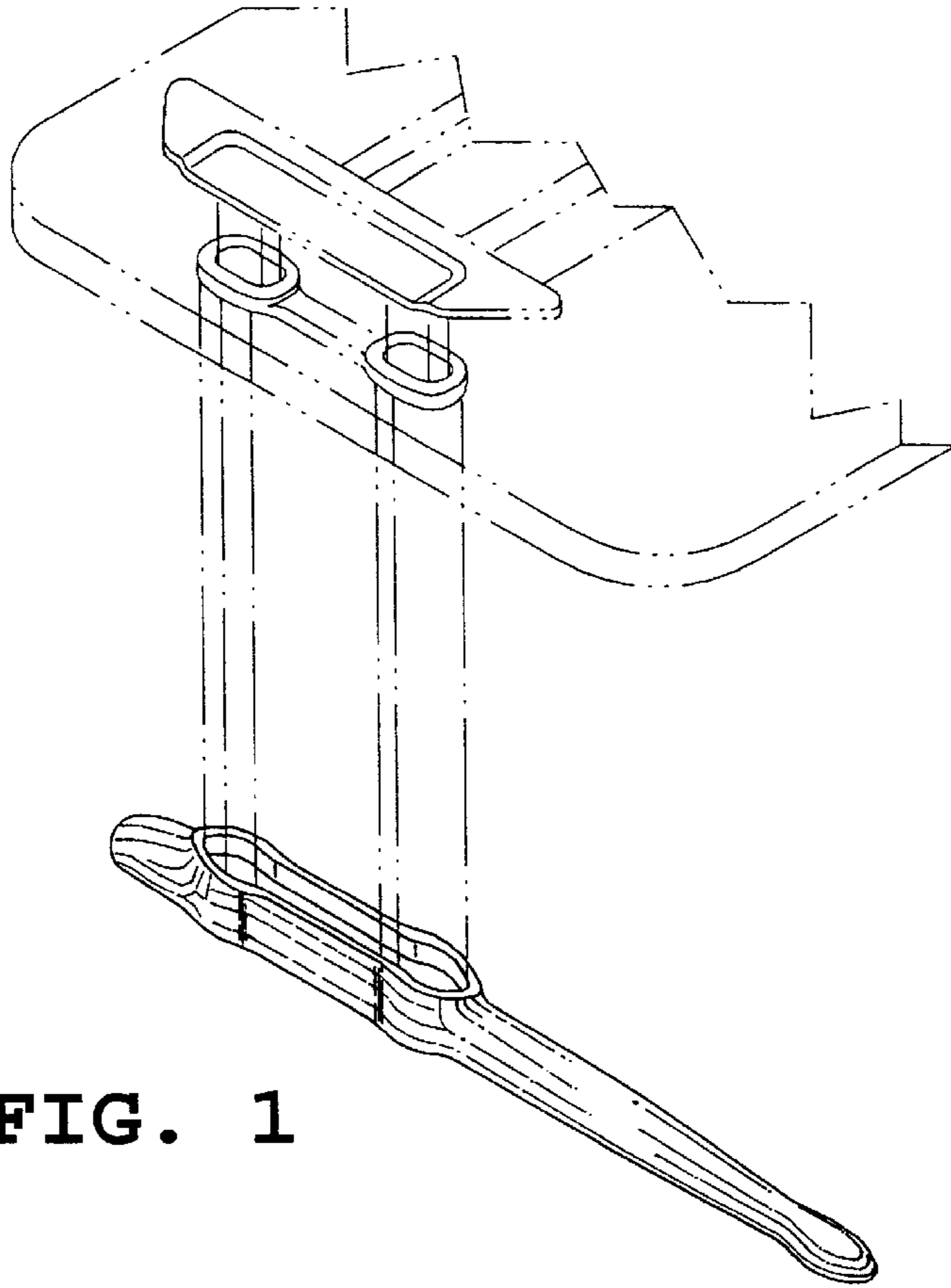


FIG. 1



FIG. 2



FIG. 3



FIG. 4



FIG. 5

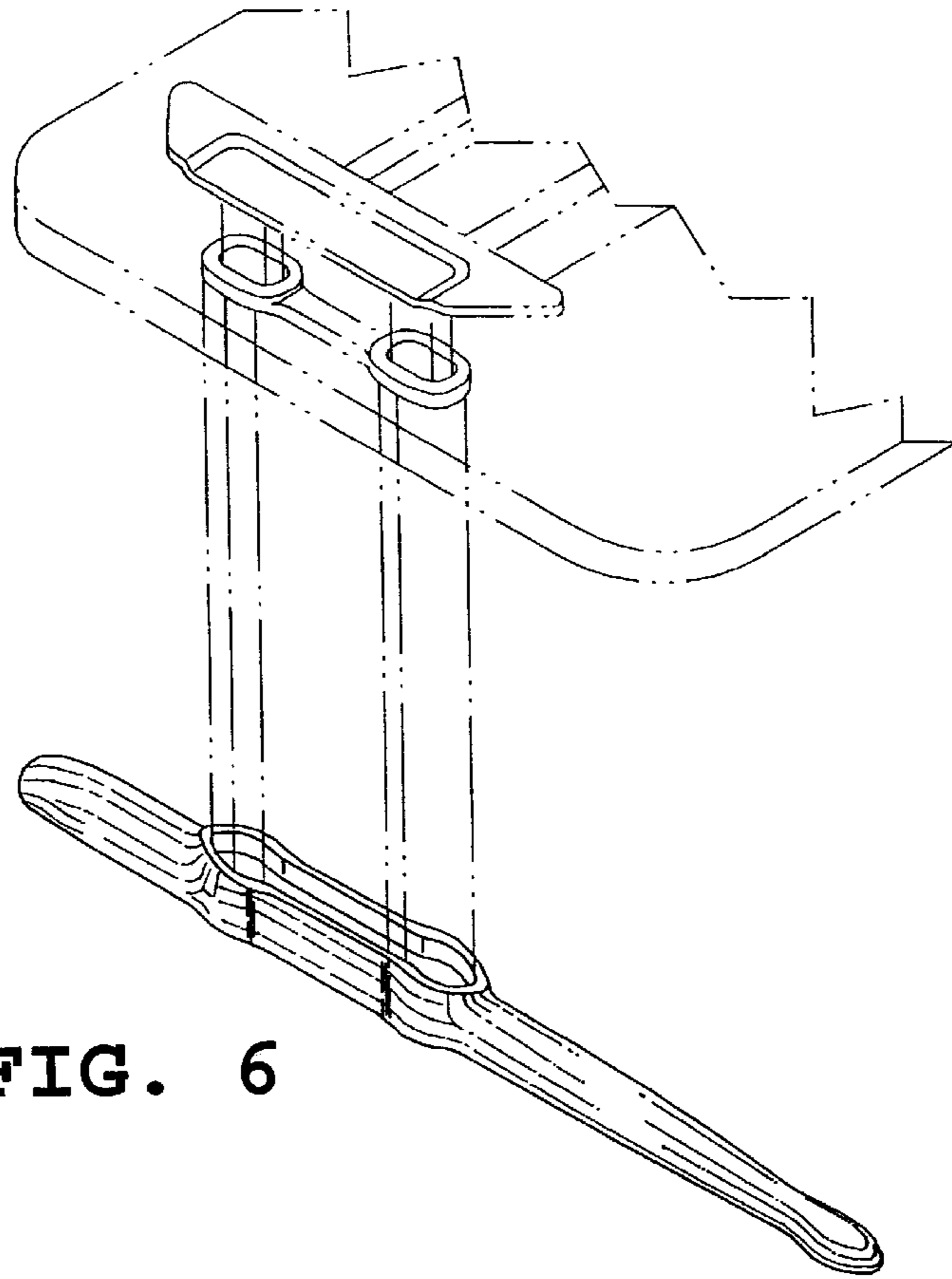


FIG. 6



FIG. 7



FIG. 8



FIG. 9



FIG. 10