



US00D431736S

United States Patent [19]
O'Brien et al.

[11] **Patent Number: Des. 431,736**

[45] **Date of Patent: ** Oct. 10, 2000**

[54] **RACK**

[75] Inventors: **Tracy E. O'Brien**, Blaine; **Harry C. Sweere**, Minneapolis; **Robert W. Fluhner**, Prior Lake, all of Minn.

[73] Assignee: **Ergotron, Inc.**, St. Paul, Minn.

[**] Term: **14 Years**

[21] Appl. No.: **29/096,420**

[22] Filed: **Nov. 12, 1998**

[51] **LOC (7) Cl.** **06-04**

[52] **U.S. Cl.** **D6/468**

[58] **Field of Search** D6/449, 462, 475, D6/466, 467, 410, 411, 413, 414, 329, 343; D14/114, 224; 211/40, 41.12; 248/127, 146, 917; 312/223.2, 223.3; D34/17; 280/47, 3.4, 79.3

[56] **References Cited**

U.S. PATENT DOCUMENTS

- D. 205,666 9/1966 Magnuson D6/413 X
- D. 246,623 12/1977 Robins D6/475

- D. 280,050 8/1985 Kempf D6/411 X
- D. 289,350 4/1987 Cordero D6/414 X
- D. 349,383 8/1994 McCaffrey D34/17 X
- D. 362,526 9/1995 Andreen et al. D34/17 X
- D. 364,611 11/1995 Leding et al. D14/114
- D. 372,379 8/1996 Newman D6/449 X

Primary Examiner—Cathron B. Matta
Attorney, Agent, or Firm—Hugh D. Jaeger

[57] **CLAIM**

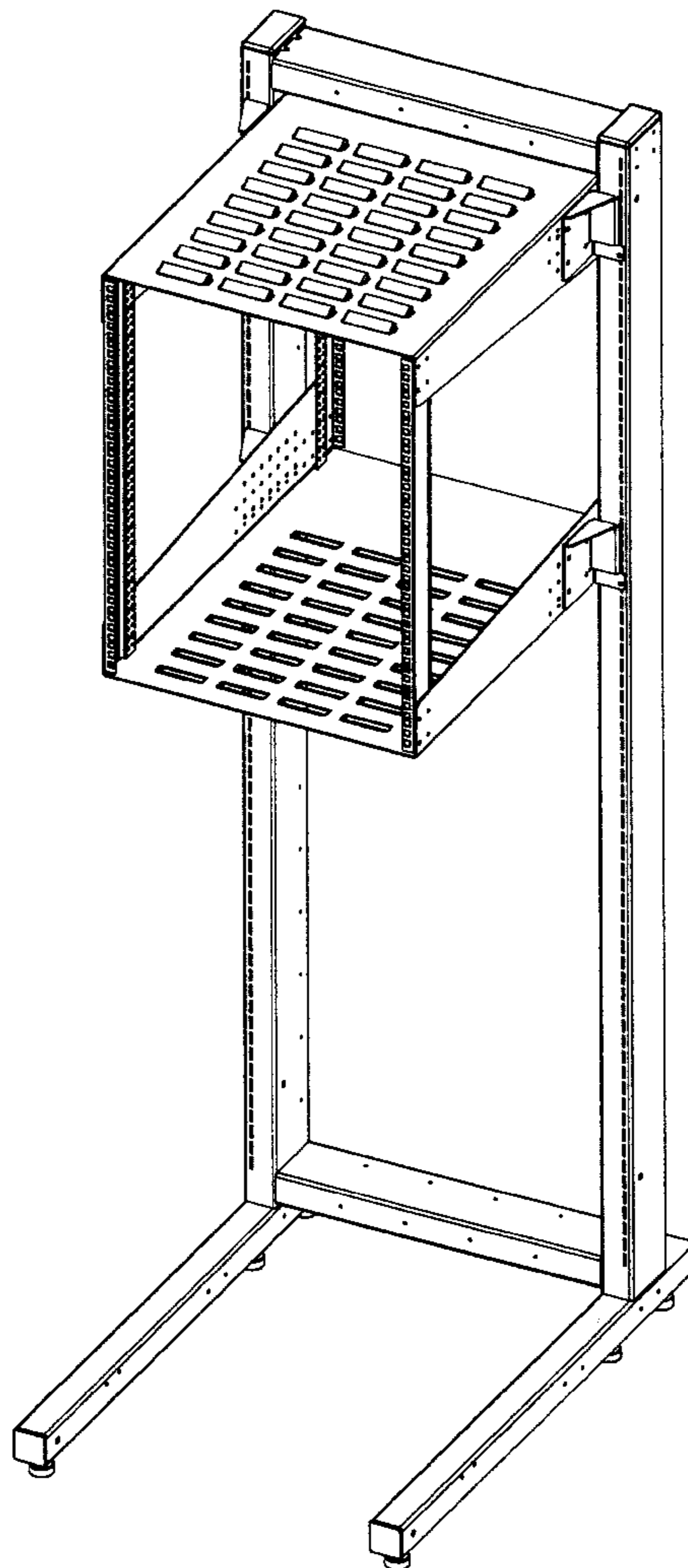
The ornamental design for a rack, as shown and described.

DESCRIPTION

FIG. 1 illustrates a front view thereof; FIG. 2 illustrates a back view thereof; FIG. 3 illustrates a left side view thereof. FIG. 4 illustrates a right side view thereof; and FIG. 5 illustrates a top view thereof; FIG. 6 illustrates a bottom view thereof; and, FIG. 7 illustrates a perspective view thereof.

The surface(s) or portion(s) of the article not shown in the drawing or described in the specification form(s) no part of the claimed design.

1 Claim, 7 Drawing Sheets



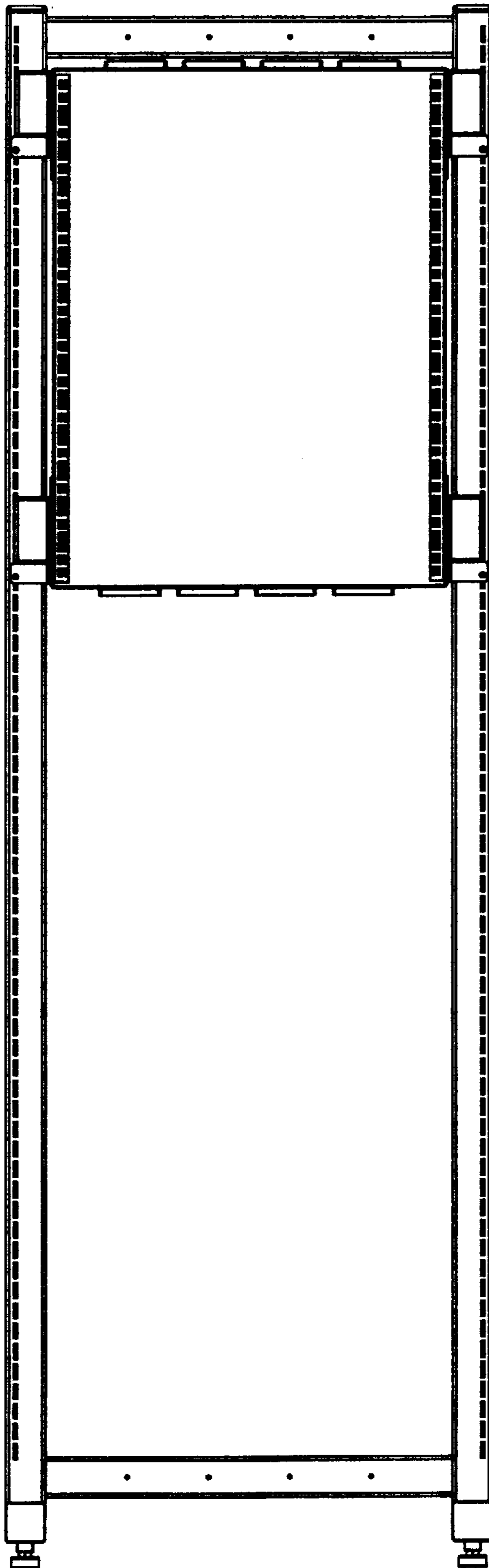


FIG. 1

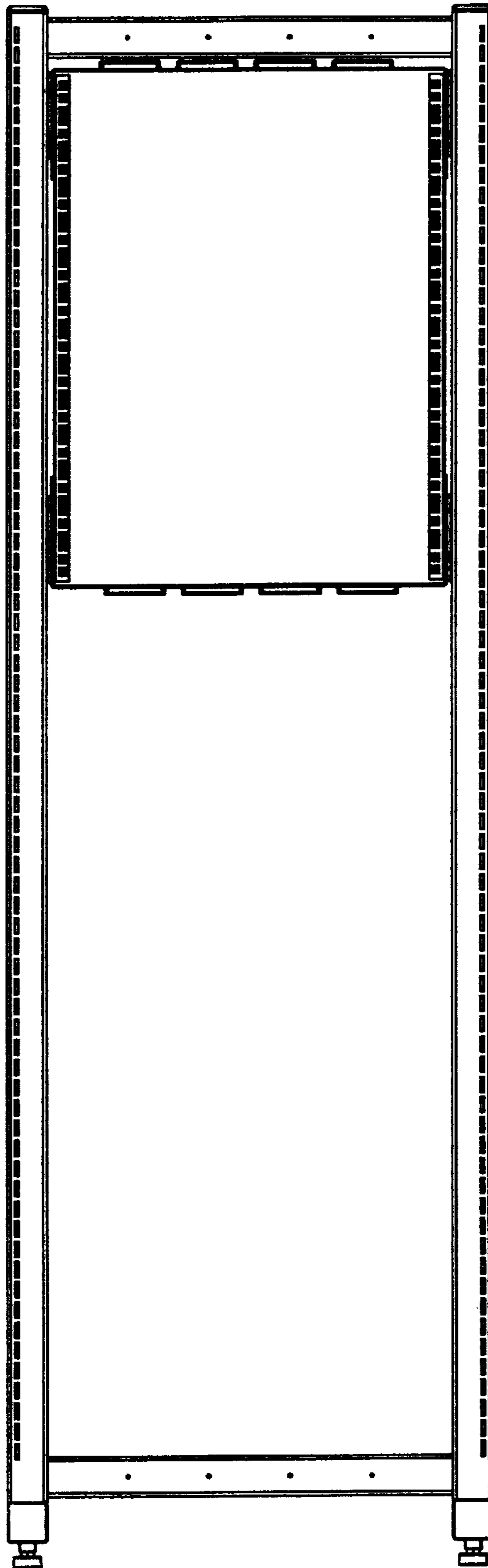


FIG. 2

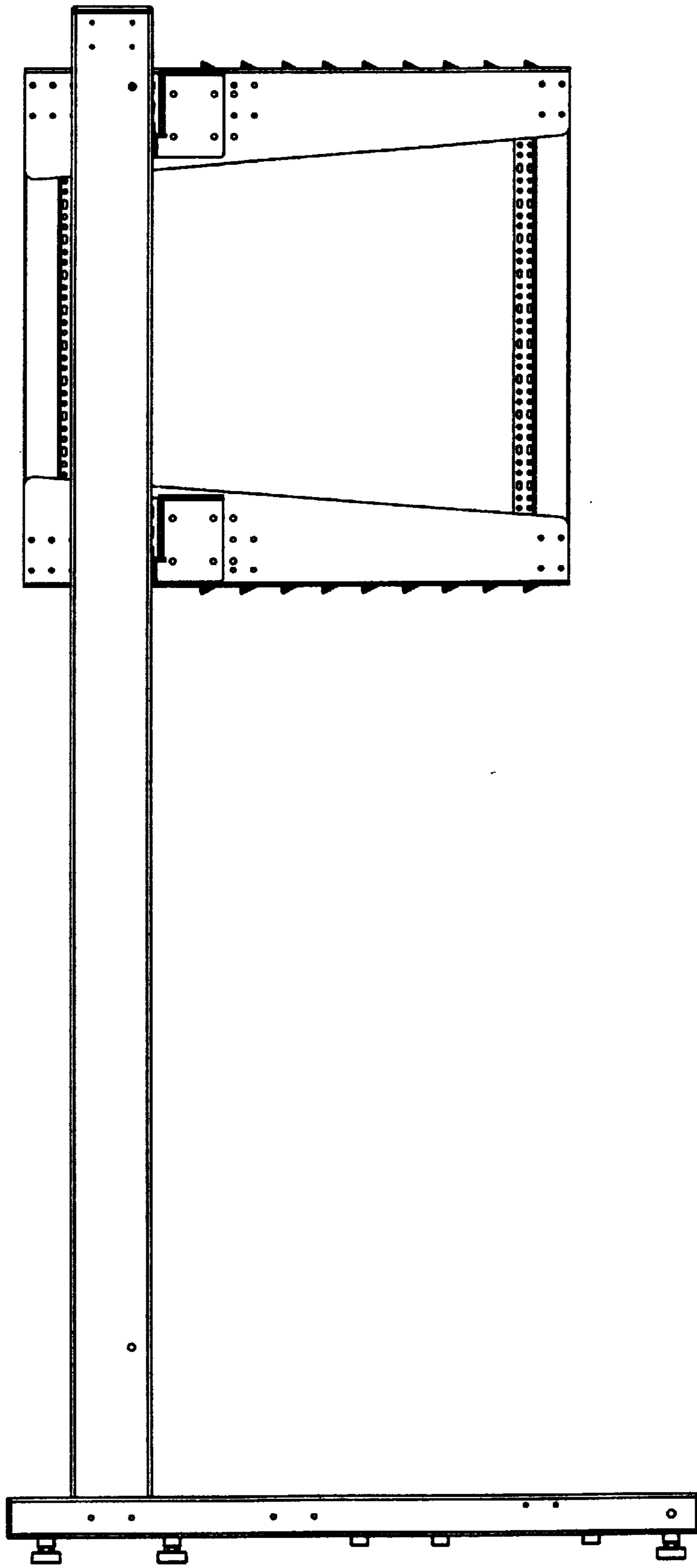


FIG. 3

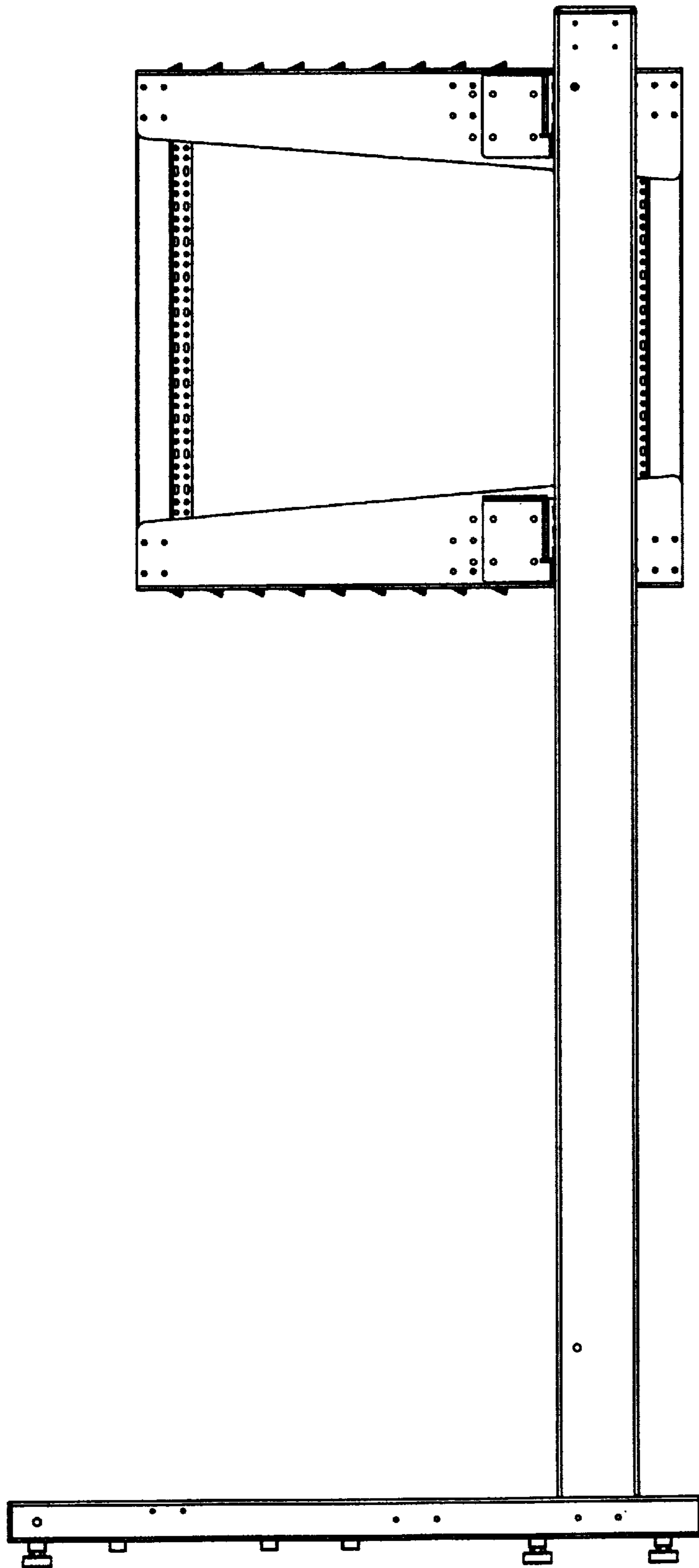


FIG. 4

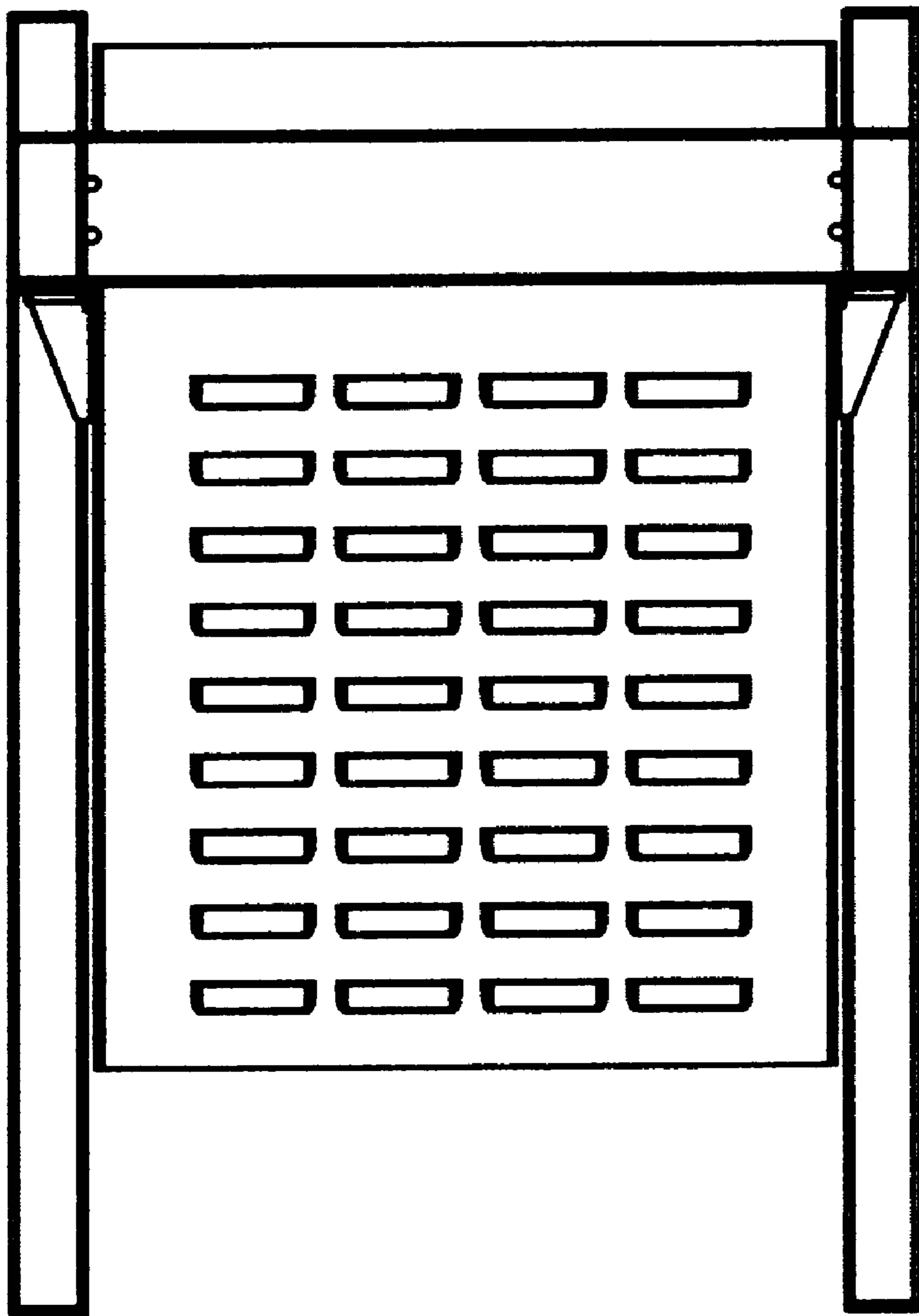


FIG. 5

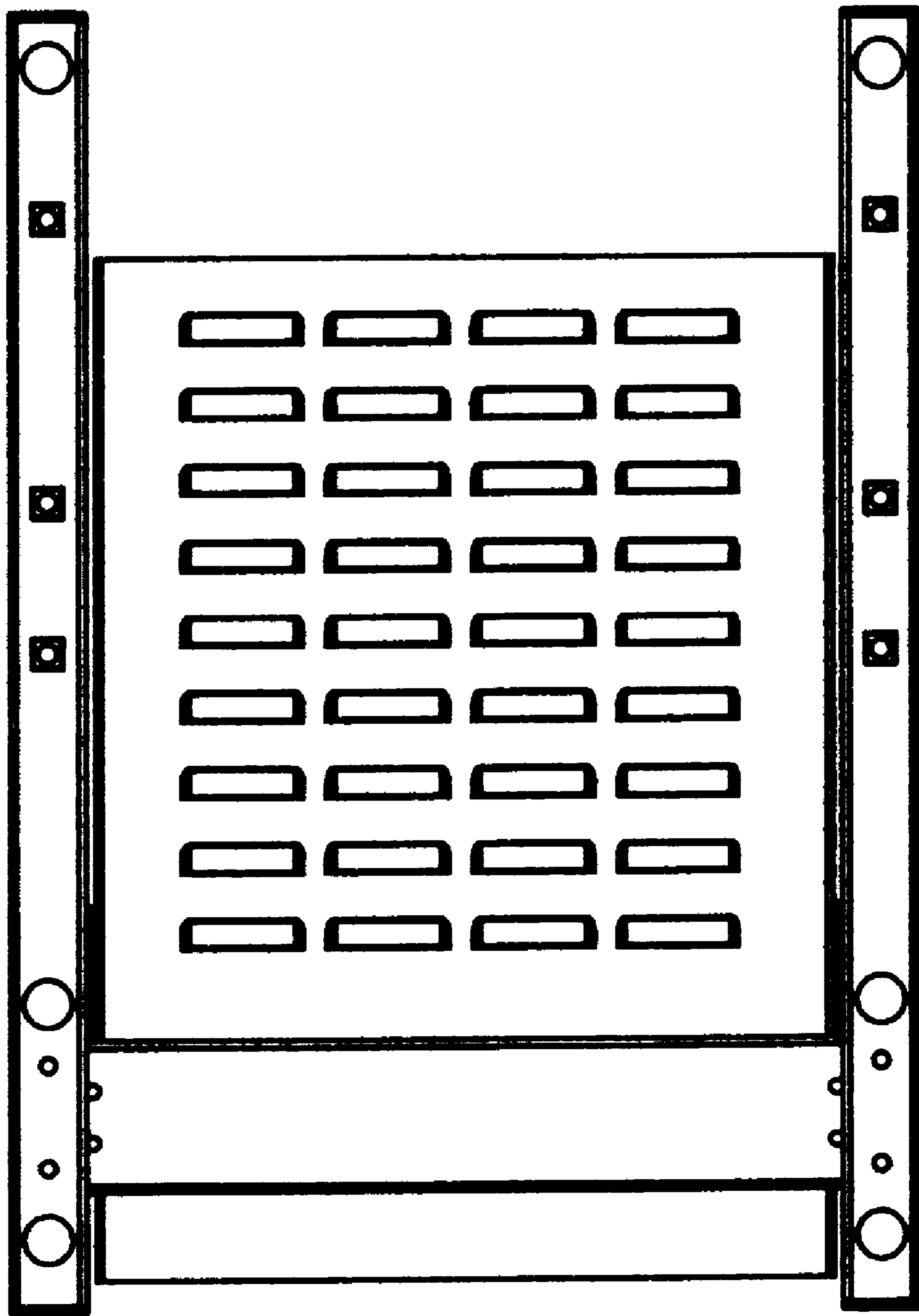


FIG. 6

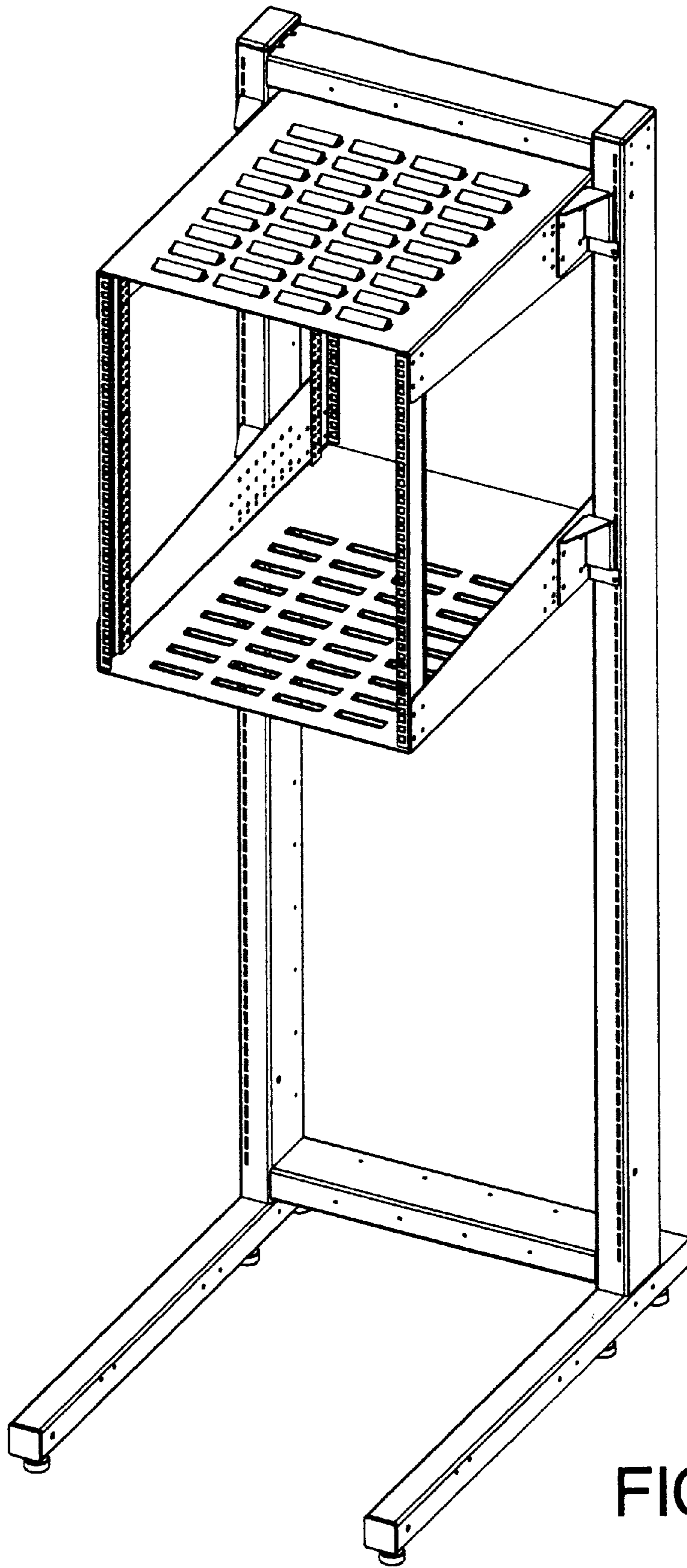


FIG. 7