



US00D431731S

United States Patent [19]
Schwab

[11] **Patent Number: Des. 431,731**
[45] **Date of Patent: ** Oct. 10, 2000**

[54] **HOUSING FOR HAND-HELD ELECTRONIC DATA READER**

[75] Inventor: **Bruce W. Schwab**, Berkeley, Calif.

[73] Assignee: **Cylark Development LLC**, Berkeley, Calif.

[**] Term: **14 Years**

[21] Appl. No.: **29/095,613**

[22] Filed: **Oct. 7, 1998**

[51] **LOC (7) Cl.** **06-04**

[52] **U.S. Cl.** **D6/407; D3/201; D6/634; D6/636**

[58] **Field of Search** **D3/201; D6/407, D6/408, 626-635; D14/124; D19/26, 27, 32, 33, 74; 16/114 R; 40/340, 360, 626, 771, 775, 307, 305, 308.2; 206/307, 308.1, 308.3, 309, 311, 312, 313, 387.13, 396, 408, 38; 229/67.1, 68.1, 70-72; 340/825.31; 283/116, 117; 53/491; 455/90; 364/708.1; 235/462.27, 1**

[56] **References Cited**

U.S. PATENT DOCUMENTS

D. 288,983	3/1987	Juhas et al.	D6/634
D. 347,728	6/1994	Taniyama	D6/634
D. 395,190	6/1998	Roth et al.	D6/634
D. 397,246	8/1998	Hoofnagle et al.	D3/201
D. 399,677	10/1998	Cheris et al.	D6/631
D. 406,719	3/1999	Clausen	D6/634
3,665,991	5/1972	Gillemot et al.	206/305
4,165,554	8/1979	Faget	16/114 R
4,259,568	3/1981	Dynesen	235/1 D
4,420,078	12/1983	Belt et al.	206/305
5,002,184	3/1991	Lloyd	206/305
5,297,672	3/1994	MacTavish	206/308.2
5,373,458	12/1994	Bishay et al.	364/708.1

5,388,691	2/1995	White	206/305
5,388,692	2/1995	Withrow et al.	206/305
5,560,476	10/1996	Lee	206/38
5,632,373	5/1997	Kumar et al.	206/305
5,647,484	7/1997	Fleming	206/576
5,678,204	10/1997	Naylor	455/90
5,709,300	1/1998	Bologna et al.	206/308.1
5,718,104	2/1998	Kennedy	53/491
5,749,464	5/1998	Cheris et al.	206/308.1
5,772,028	6/1998	Marsilio et al.	206/387.1
5,815,084	9/1998	Lavelle et al.	340/825.31
5,878,878	3/1999	Wu	206/307
5,895,906	4/1999	Danielson et al.	235/462.27

Primary Examiner—Celia Murphy
Attorney, Agent, or Firm—Townsend and Townsend and Crew LLP

[57] **CLAIM**

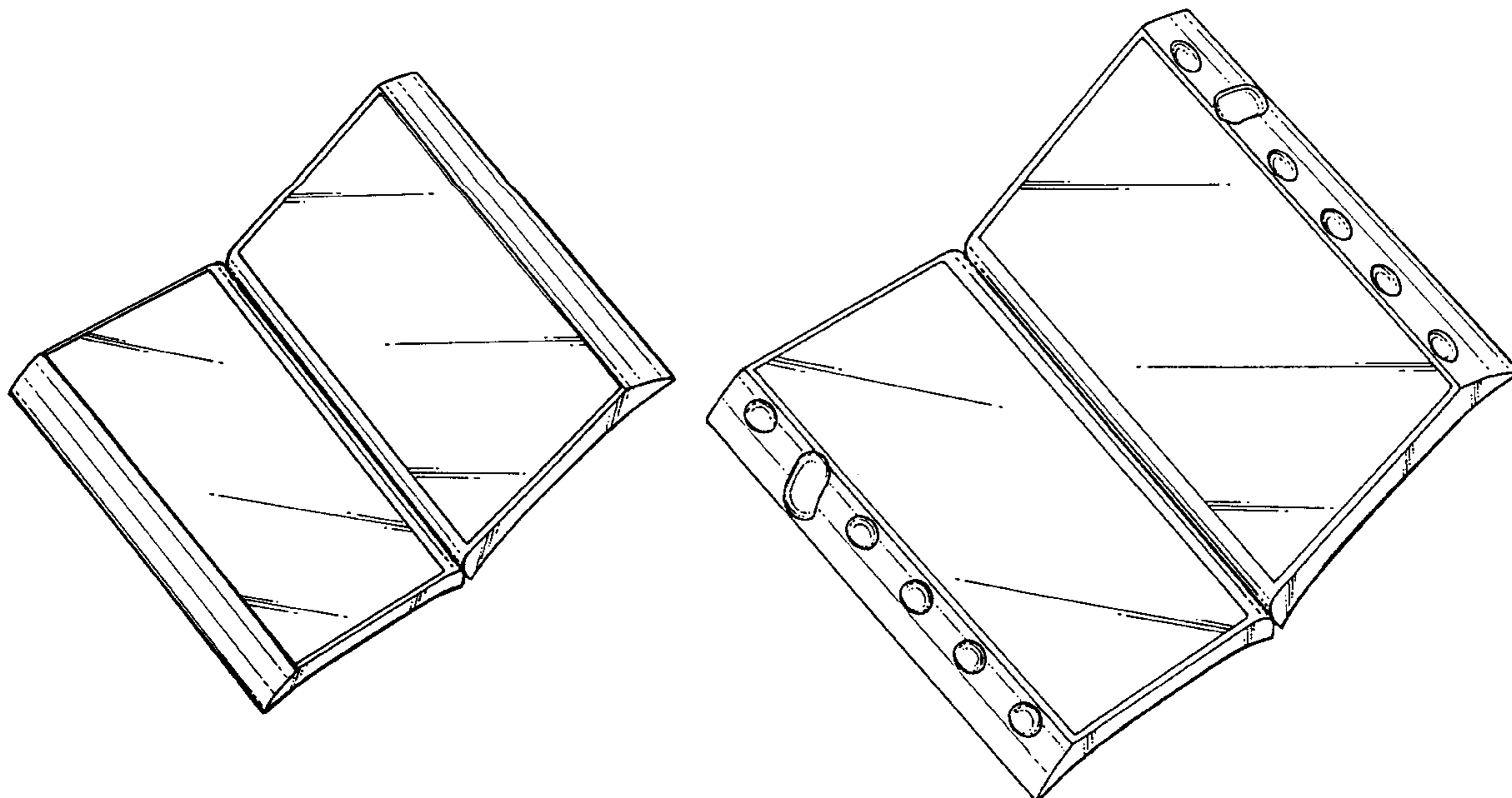
The ornamental design for housing for hand-held electronic data reader, as shown and described.

DESCRIPTION

FIG. 1 is a perspective view of a housing for hand-held electronic data reader, showing my new design; FIG. 2 is a top plan view thereof; FIG. 3 is a front elevational view thereof; FIG. 4 is a right side elevational view thereof; FIG. 5 is a left side elevational view thereof; FIG. 6 is a rear elevational view thereof; FIG. 7 is a bottom plan view thereof; and, FIG. 8 is a perspective view of a second embodiment of the design shown in FIG. 1, the other sides being identical to the first embodiment except for the oval indentations along the sides.

The broken lines showing hinges throughout the views are for illustrative purposes only and form no part of the claimed design.

1 Claim, 2 Drawing Sheets



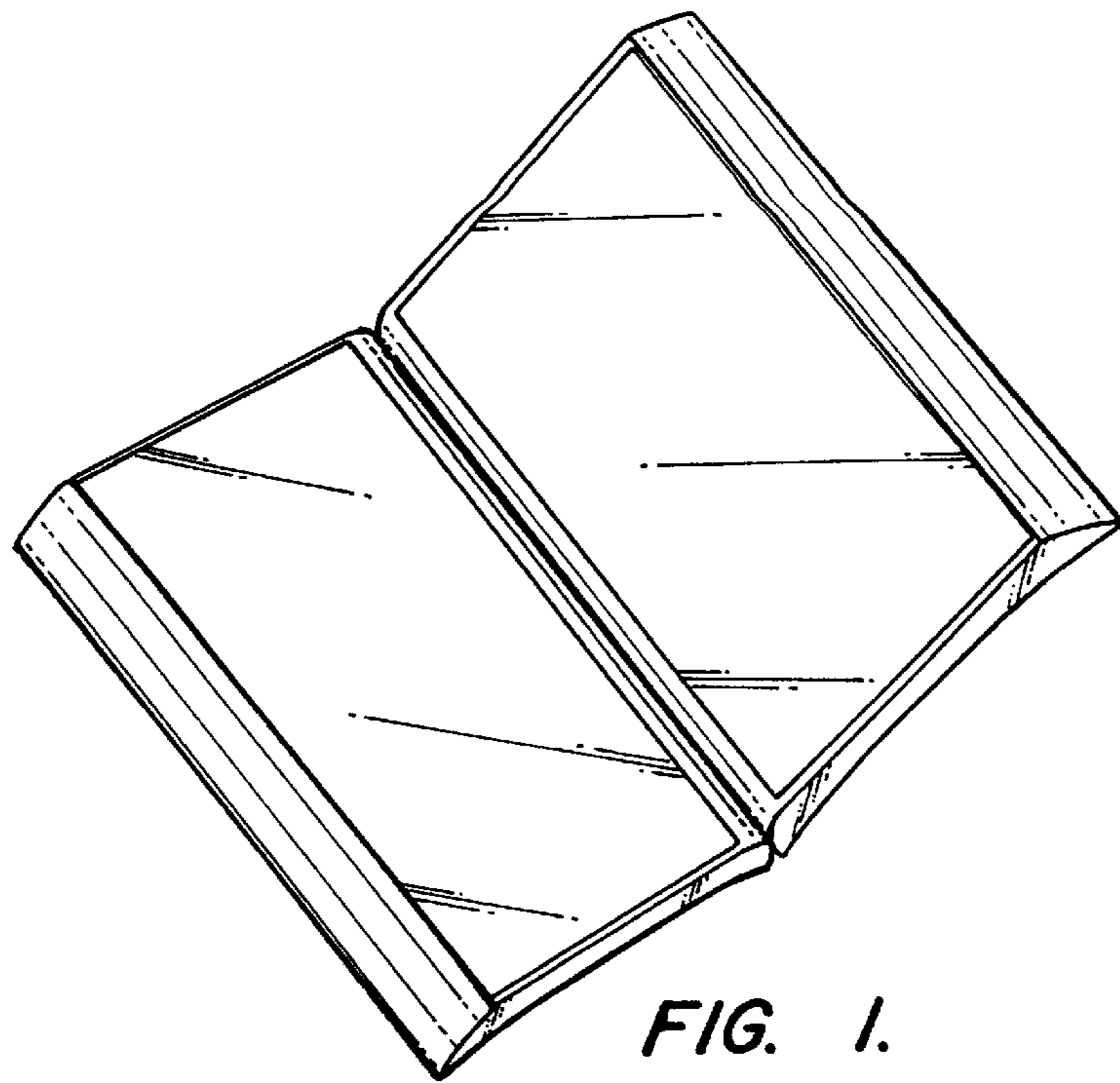


FIG. 1.

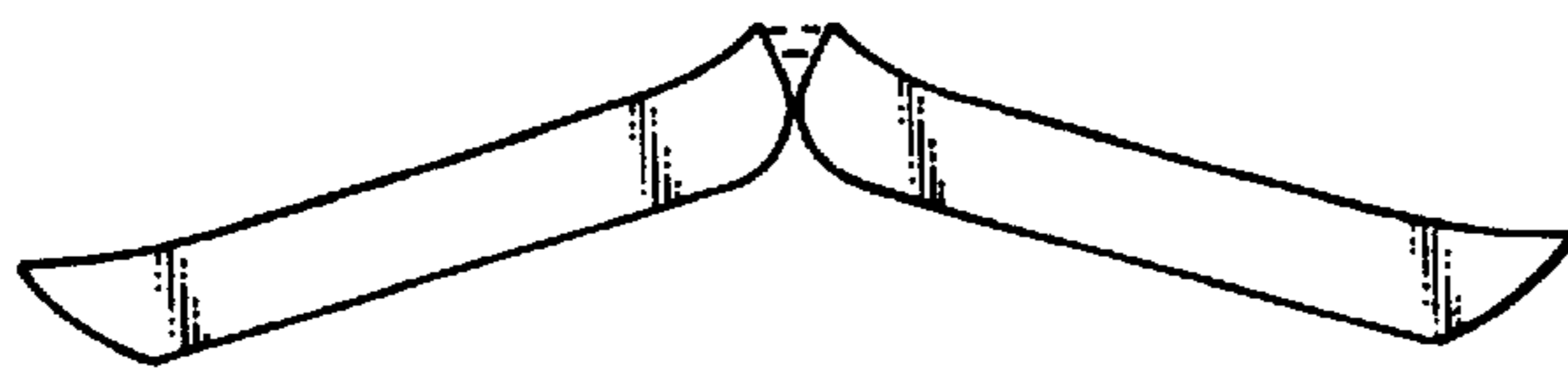


FIG. 2.

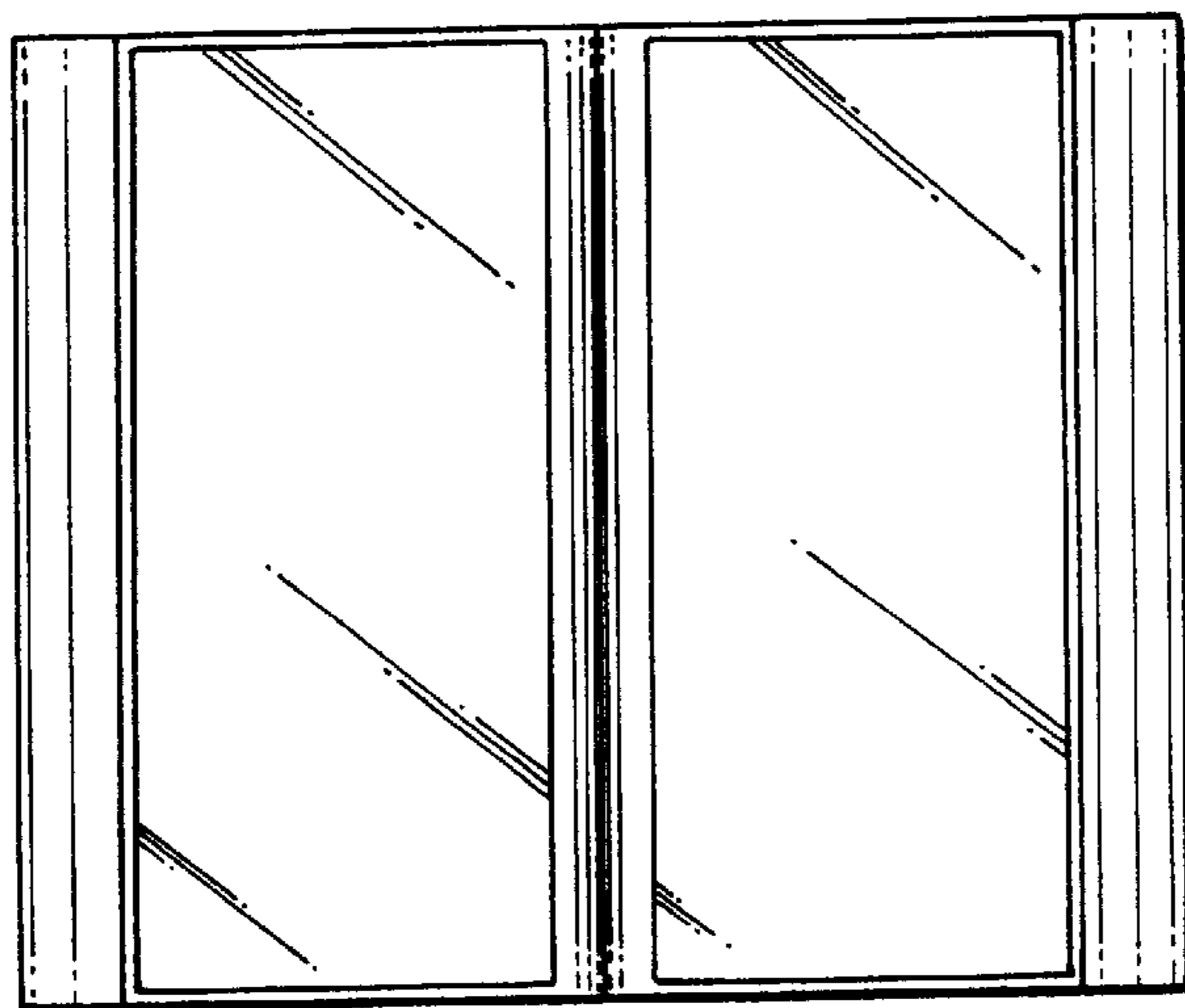


FIG. 3.



FIG. 4.

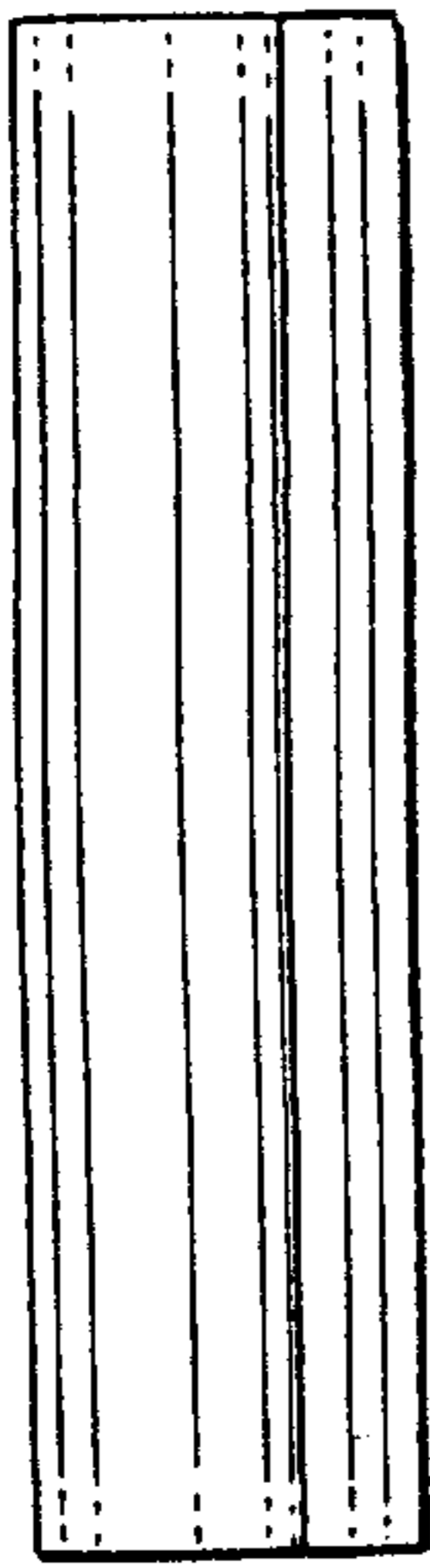


FIG. 5.

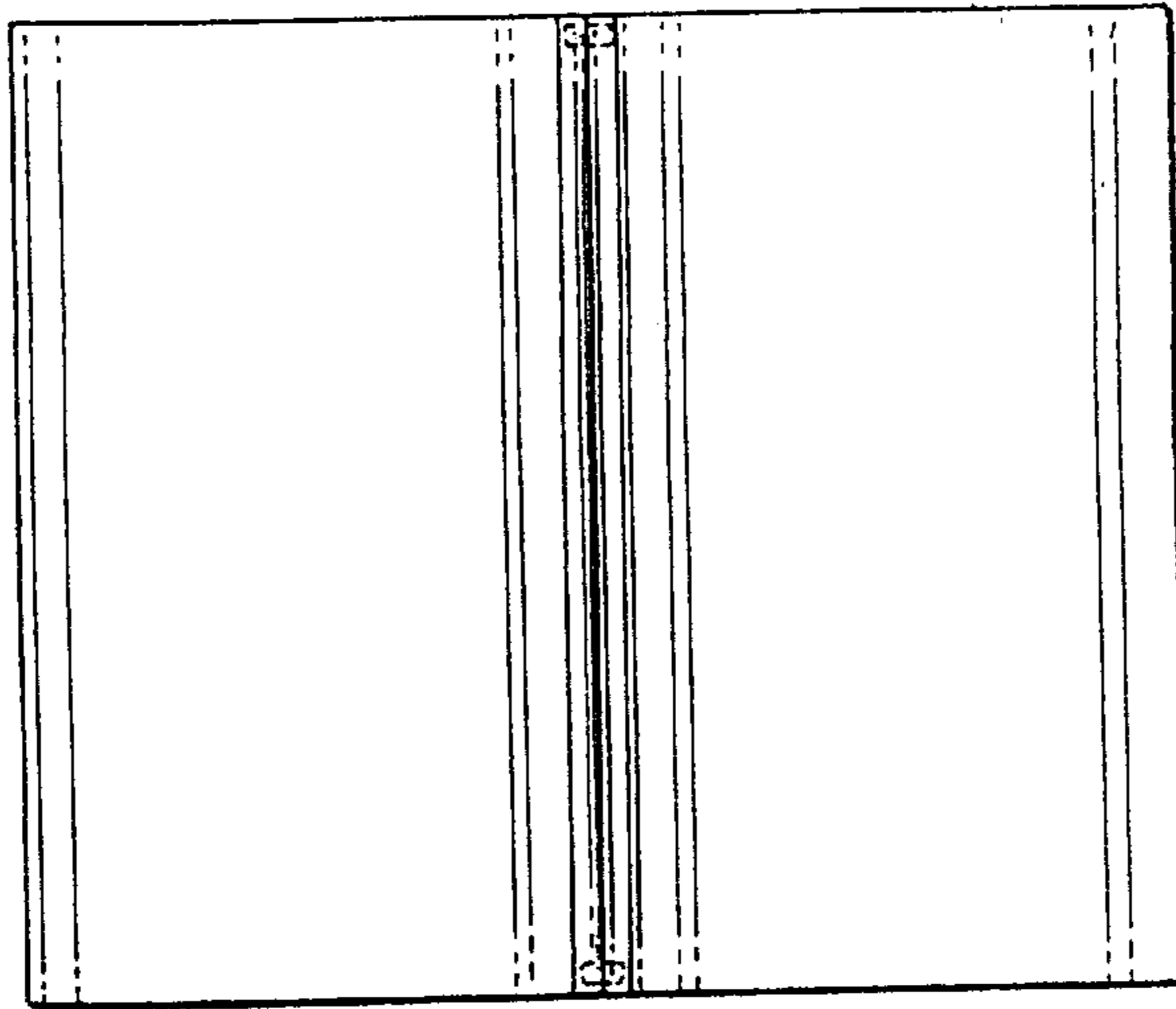


FIG. 6.

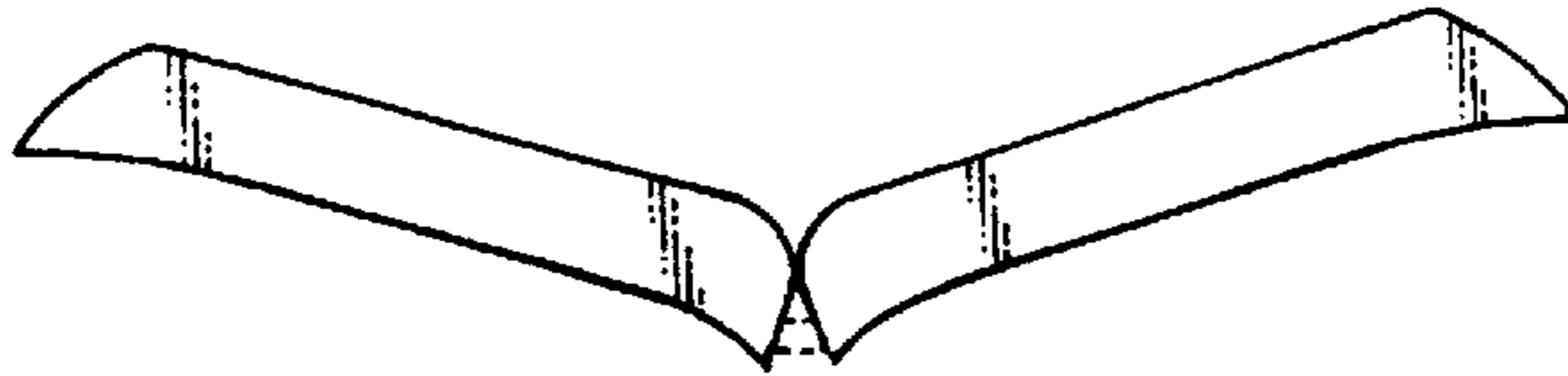


FIG. 7.

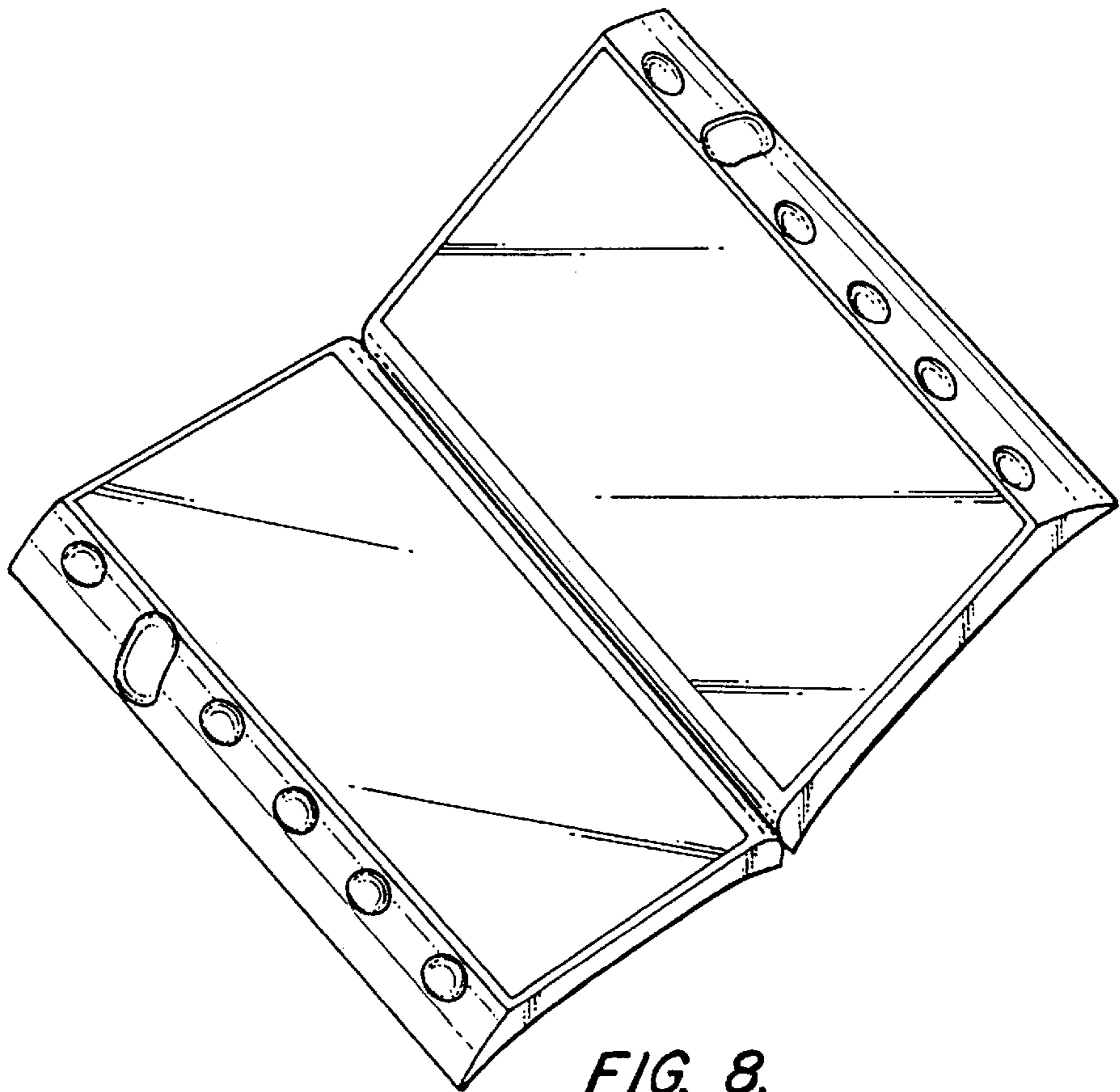


FIG. 8.