



US00D431730S

United States Patent [19]
Zorzetto

[11] **Patent Number: Des. 431,730**

[45] **Date of Patent: ** Oct. 10, 2000**

[54] **BED FRAME DESIGN**

[75] Inventor: **Giuseppe Zorzetto**, Maron di Brugnera, Italy

[73] Assignee: **Julia Arredamenti S.P.A.**, Maron Di Brugnera, Italy

[**] Term: **14 Years**

[21] Appl. No.: **29/112,402**

[22] Filed: **Oct. 18, 1999**

[51] **LOC (7) Cl.** **06-01**

[52] **U.S. Cl.** **D6/393**

[58] **Field of Search** D6/382-385, 389-395, D6/505-508; 5/200.1, 310, 286, 53.1, 280, 281, 907

[56] **References Cited**

U.S. PATENT DOCUMENTS

D. 91,104 11/1933 Douglass D6/393

D. 152,894 3/1949 Lubberts et al. D6/394
D. 393,378 4/1998 Hutton D6/393
D. 396,977 8/1998 Wanek et al. D6/505

Primary Examiner—Janice E. Seeger
Attorney, Agent, or Firm—Harrison & Egbert

[57] **CLAIM**

The ornamental design for a bed frame design, as shown and described.

DESCRIPTION

FIG. 1 is an upper perspective view of a bed frame design showing my design.

FIG. 2 is a front view thereof;

FIG. 3 is a back view thereof;

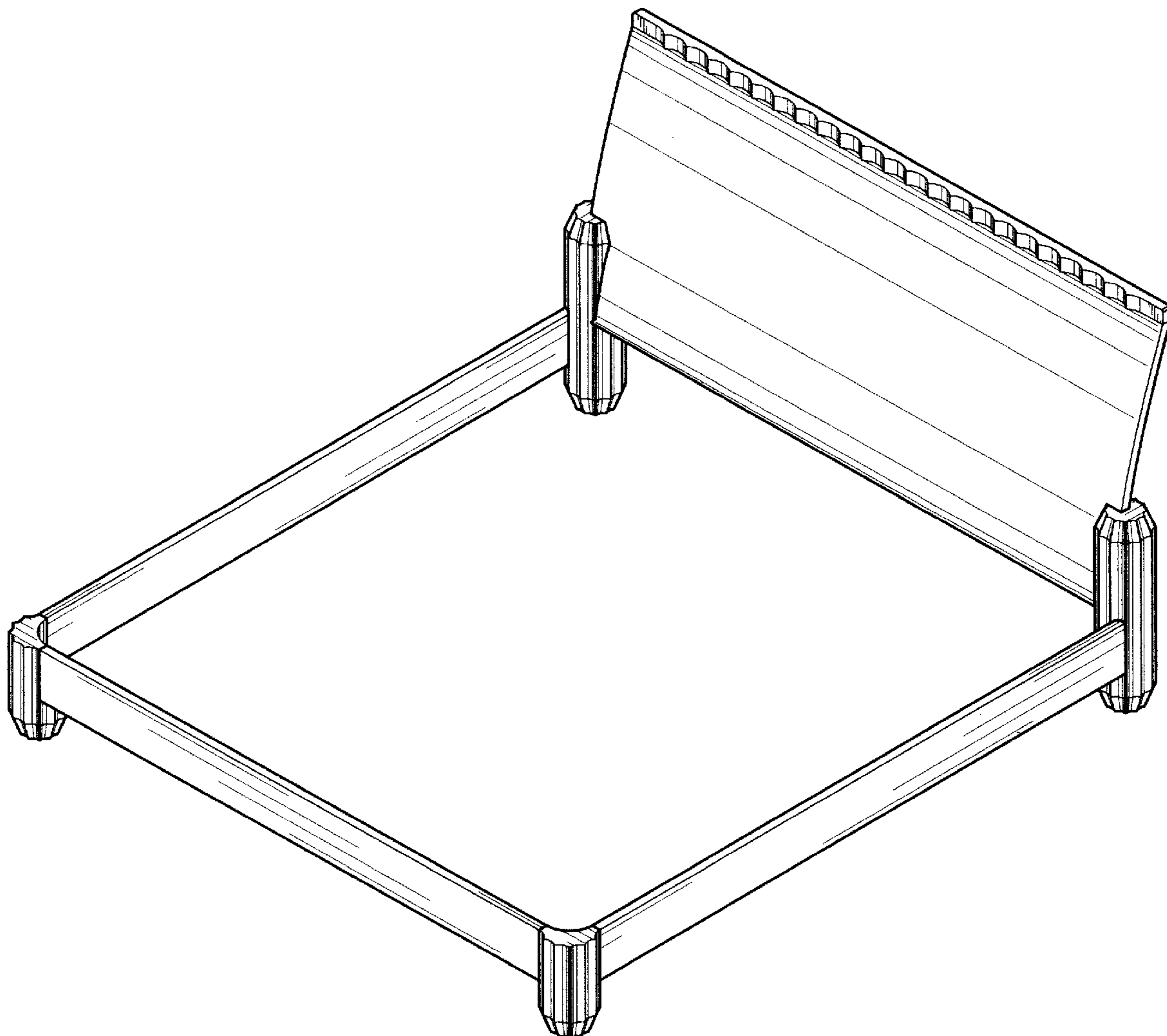
FIG. 4 is a side view thereof;

FIG. 5 is an opposite side view thereof;

FIG. 6 is a top view thereof; and,

FIG. 7 is a bottom view thereof.

1 Claim, 5 Drawing Sheets



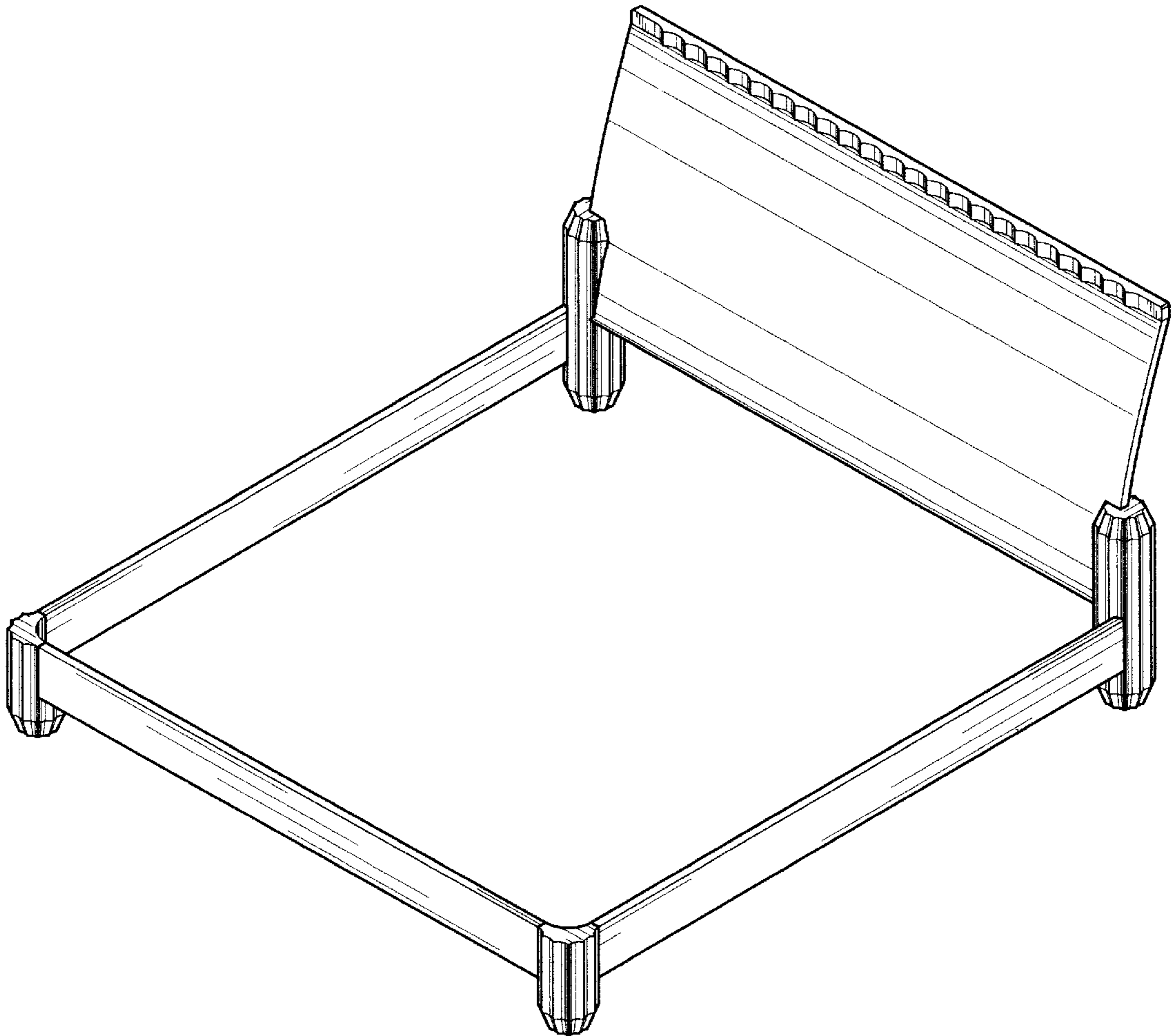


FIG. 1

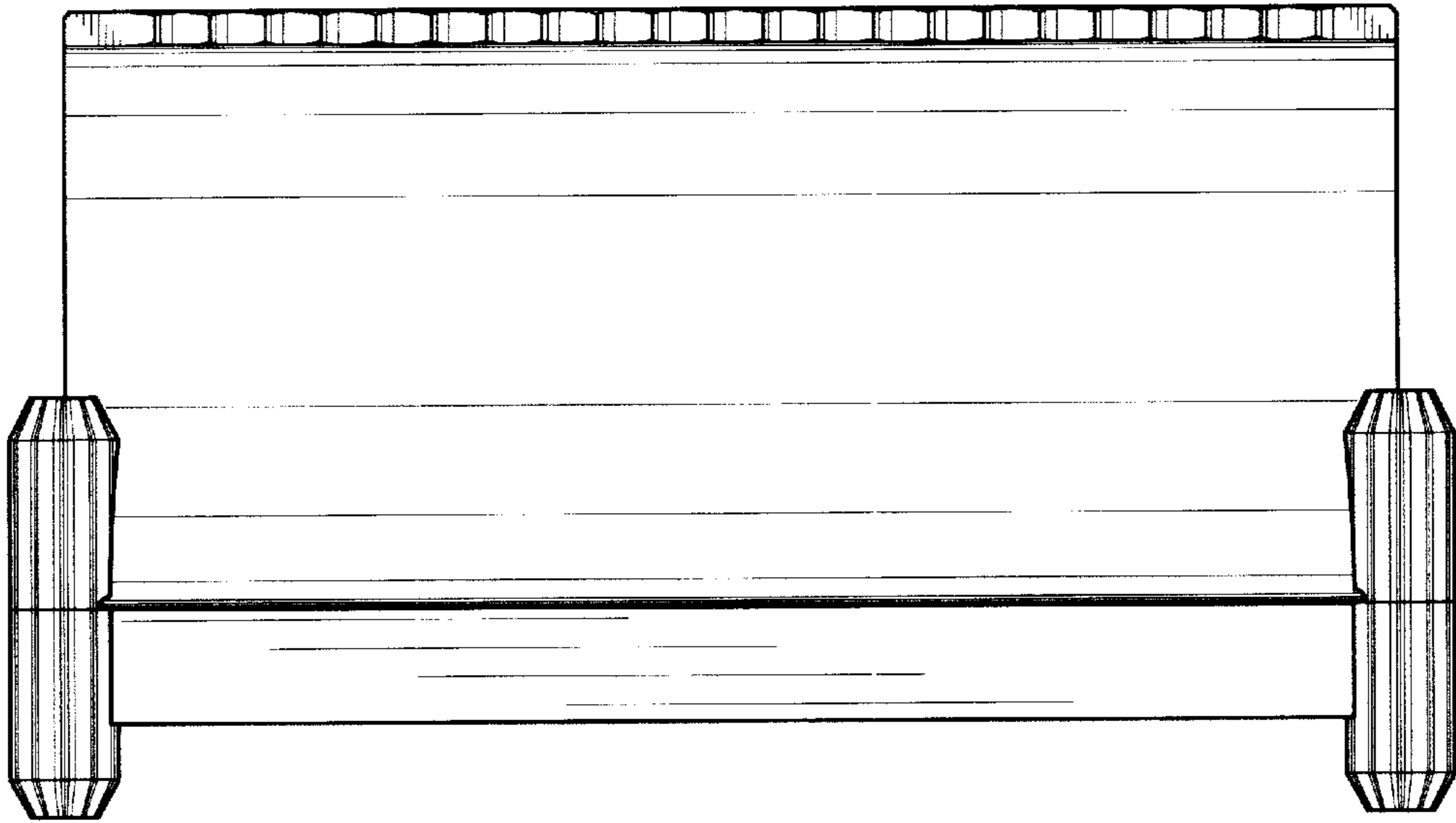


FIG. 2

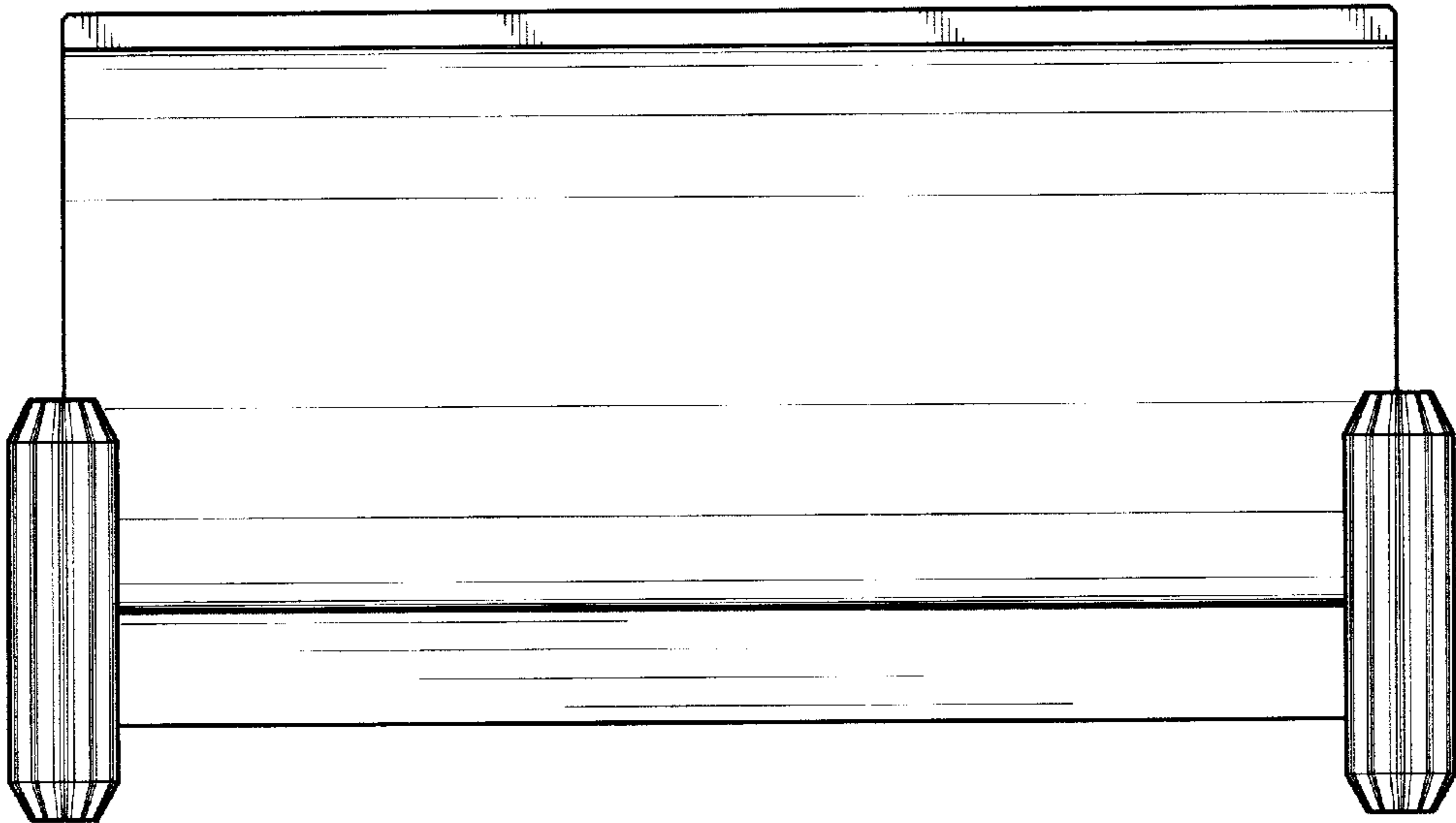


FIG. 3

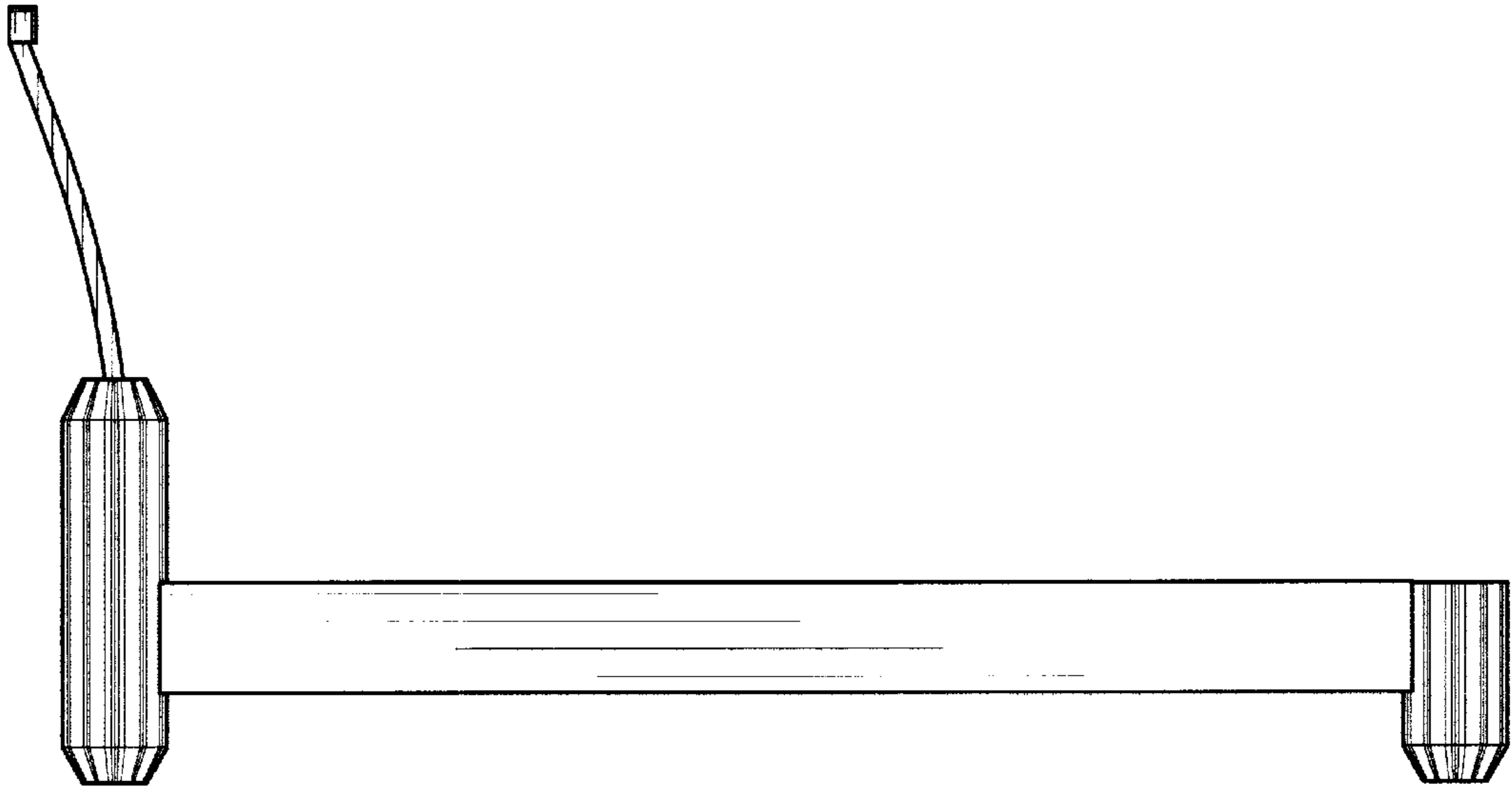


FIG. 4

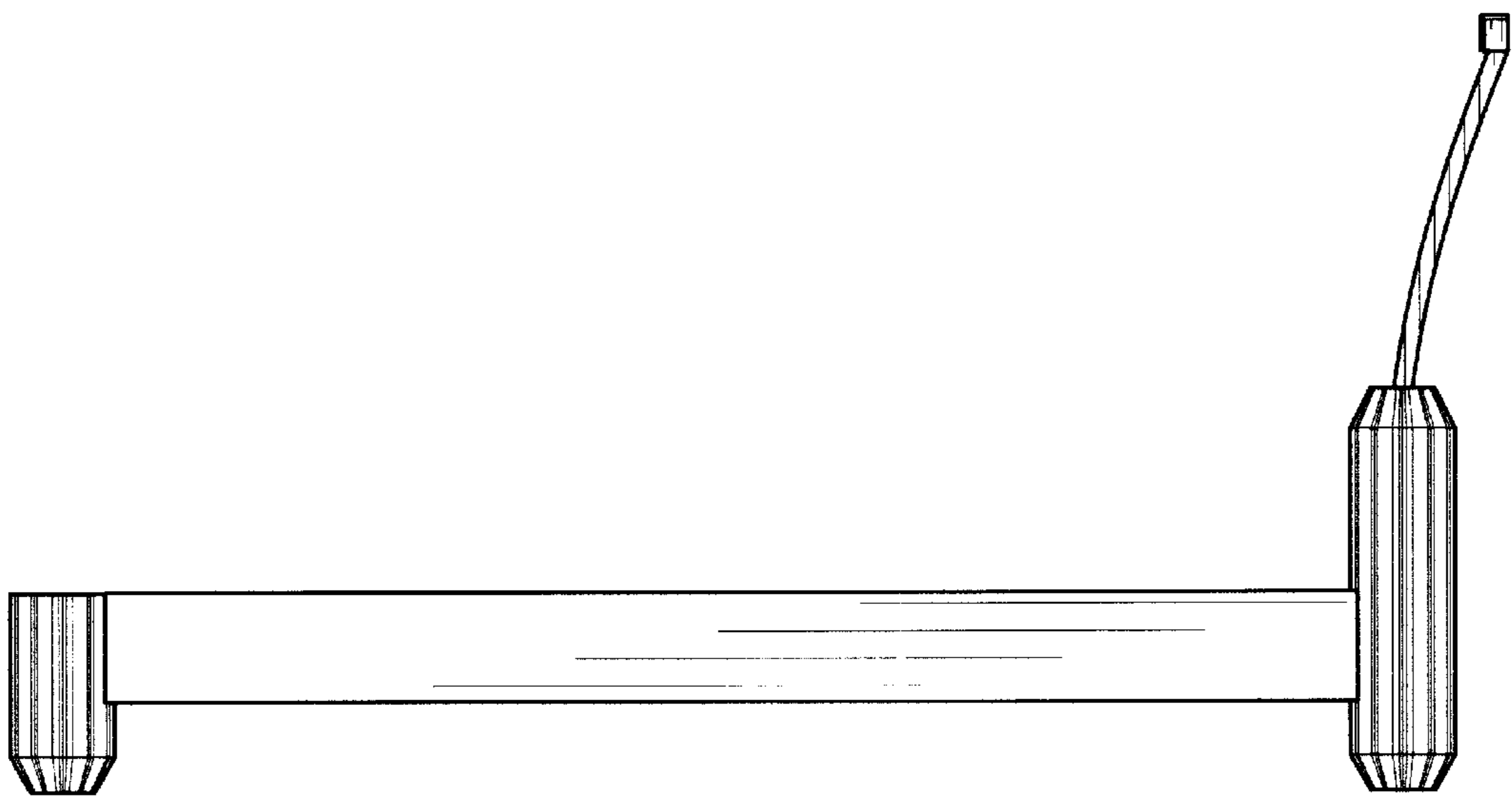


FIG. 5

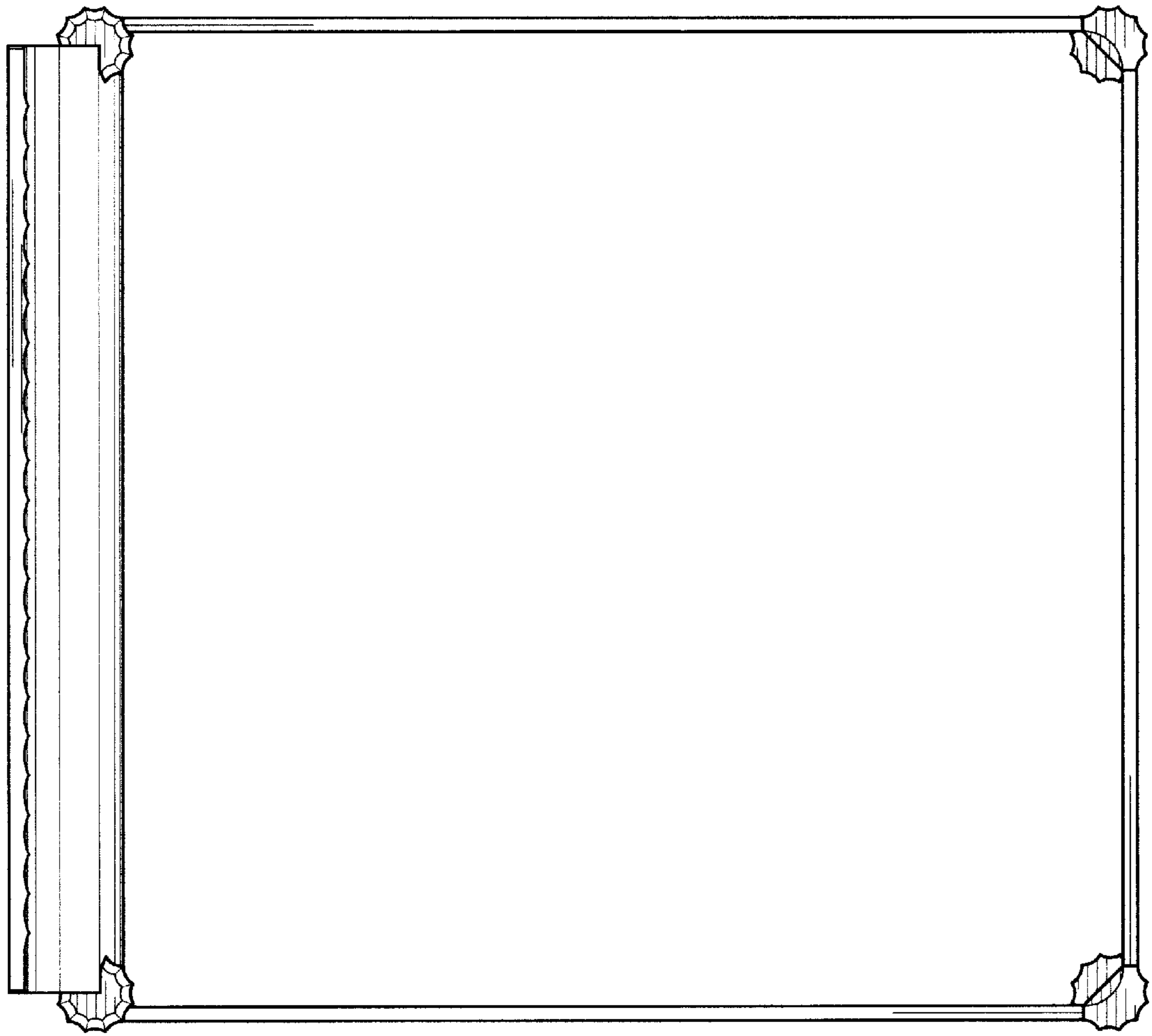


FIG. 6

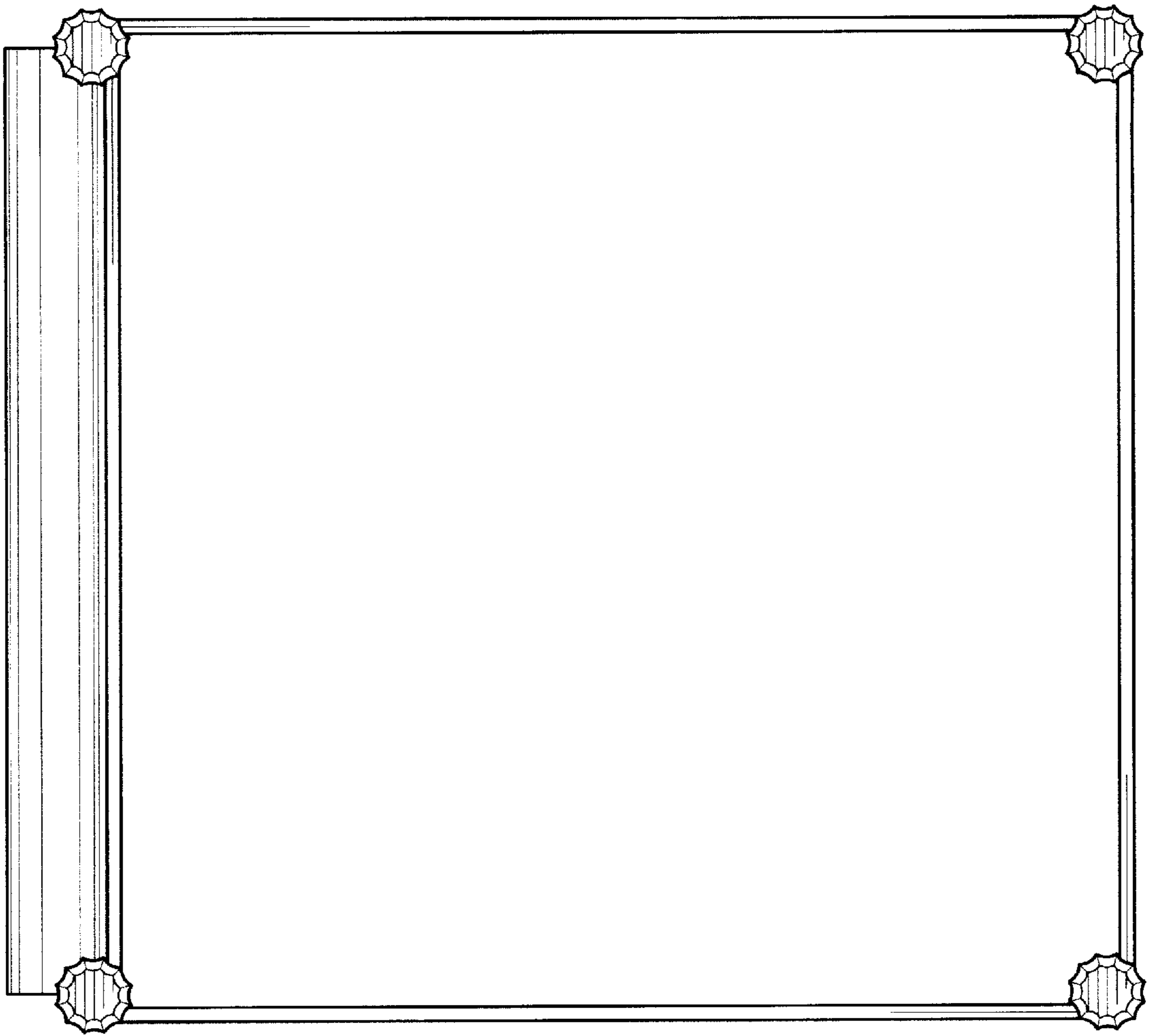


FIG. 7