



US00D431721S

# United States Patent [19]

Brady et al.

[11] Patent Number: **Des. 431,721**

[45] Date of Patent: **\*\* Oct. 10, 2000**

[54] **INTRAOCULAR LENS PACKAGE**

[75] Inventors: **Daniel G. Brady**, San Juan Capistrano; **Arlene Gwon**, Newport Beach; **Jonas H. Bourghardt**, Ventura; **Hector R. Santos**, Camarillo; **Michael Collinson**, Goleta; **Claude A. Vidal**, Santa Barbara, all of Calif.

[73] Assignee: **Allergan Sales, Inc.**, Irvine, Calif.

[\*\*] Term: **14 Years**

[21] Appl. No.: **29/103,457**

[22] Filed: **Apr. 15, 1999**

[51] **LOC (7) Cl.** ..... **03-01**

[52] **U.S. Cl.** ..... **D3/264; D3/263**

[58] **Field of Search** ..... D3/201, 243, 247, D3/263, 264, 265, 266, 268; D9/414, 341; 24/3.8; 134/143; 150/36; 205/701; 206/5, 5.1, 6, 37, 440; 422/292; 606/107; D16/130

[56] **References Cited**

**U.S. PATENT DOCUMENTS**

D. 358,480 5/1995 Abrams et al. .... D3/264

3,186,540	6/1965	Breger .....	206/5
4,817,789	4/1989	Paul .....	206/5.1
5,100,410	3/1992	Dulebohn .....	606/107
5,129,999	7/1992	Holland et al. ....	205/701
5,281,227	1/1994	Sussman .....	206/5.1
5,292,488	3/1994	Cerola et al. ....	422/292
5,823,327	10/1998	Wu et al. ....	206/5.1

*Primary Examiner*—Celia Murphy  
*Attorney, Agent, or Firm*—Stout, Uxa, Buyan & Mullins; Frank J. Uxa

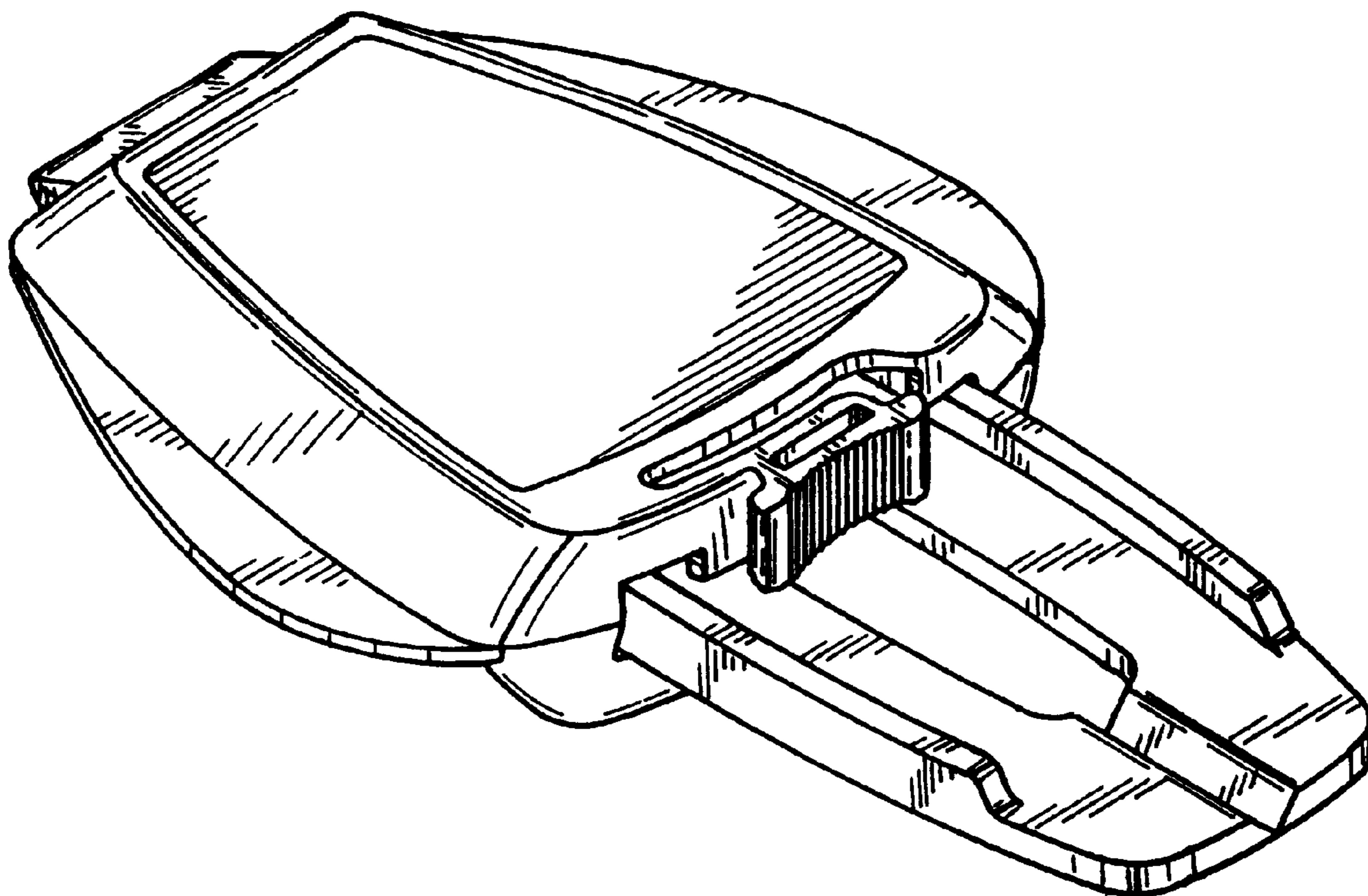
[57] **CLAIM**

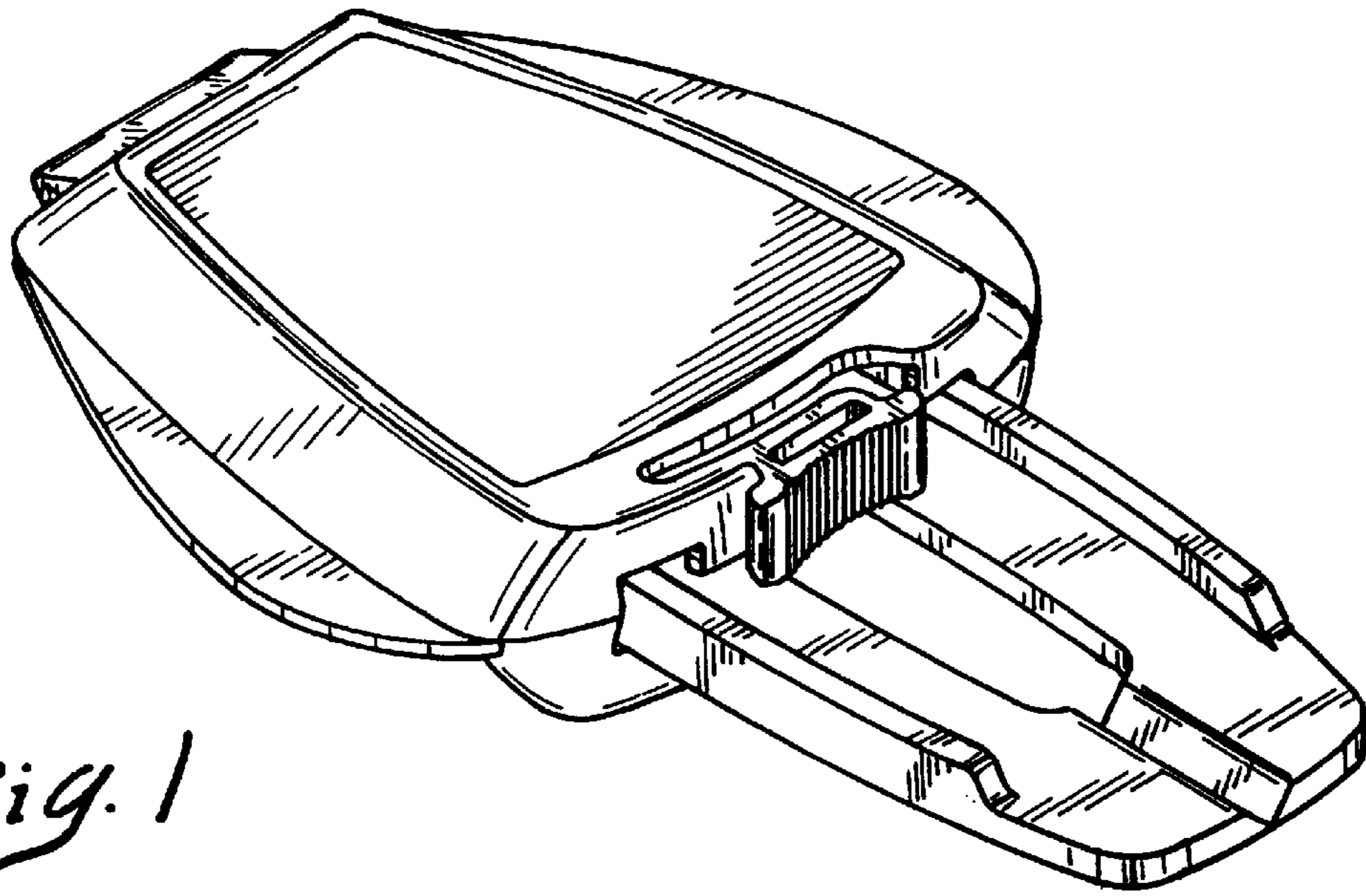
The ornamental design for an intraocular lens package, as shown and described.

**DESCRIPTION**

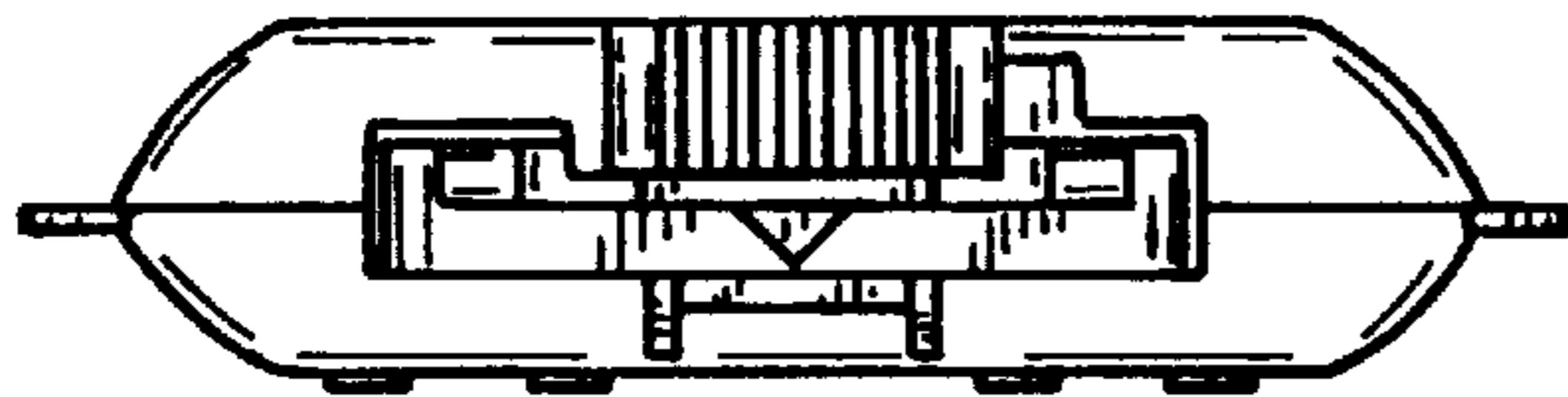
FIG. 1 is a perspective view of the top, front and left sides of an intraocular lens package showing our new design; FIG. 2 is a front elevational view thereof; FIG. 3 is a top plan view thereof; FIG. 4 is a left side elevational view thereof; FIG. 5 is a right side elevational view thereof; FIG. 6 is a rear elevational view thereof; and, FIG. 7 is a bottom plan view thereof.

**1 Claim, 2 Drawing Sheets**

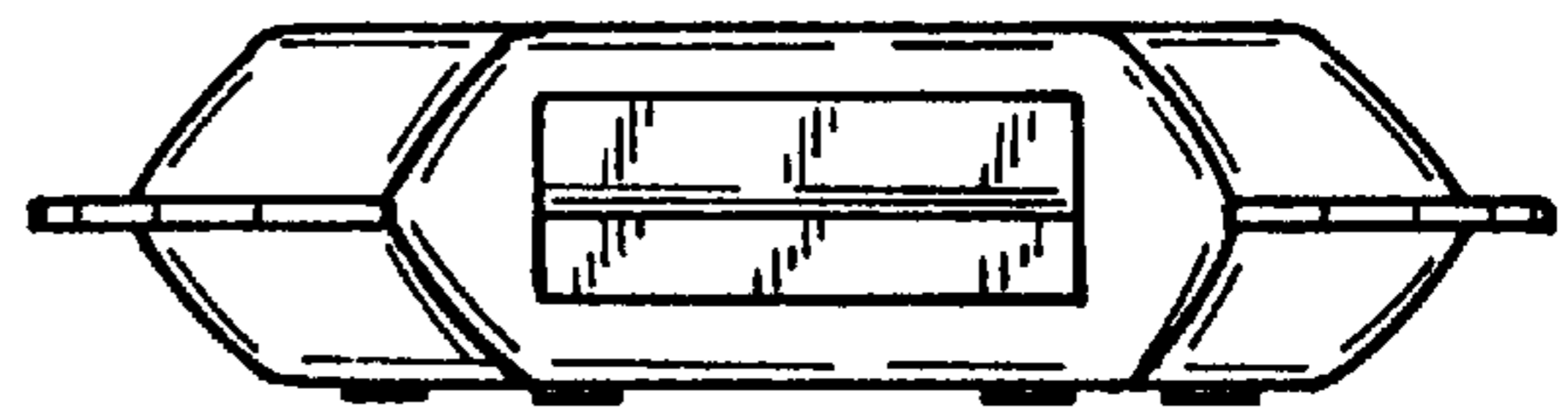




*Fig. 1*

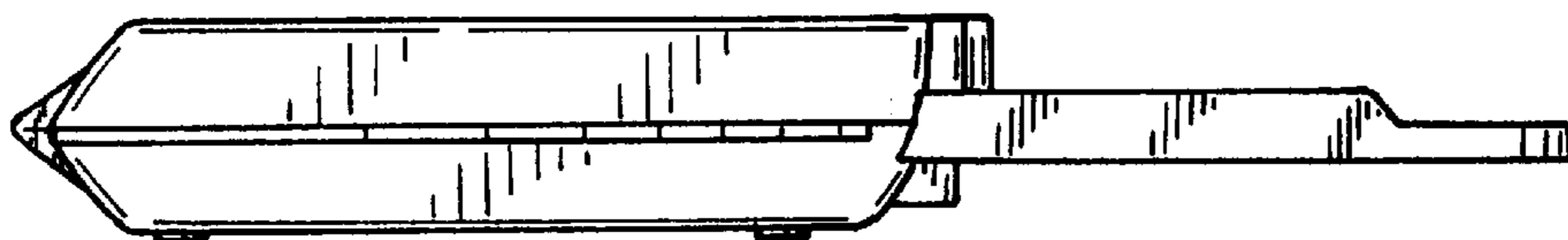


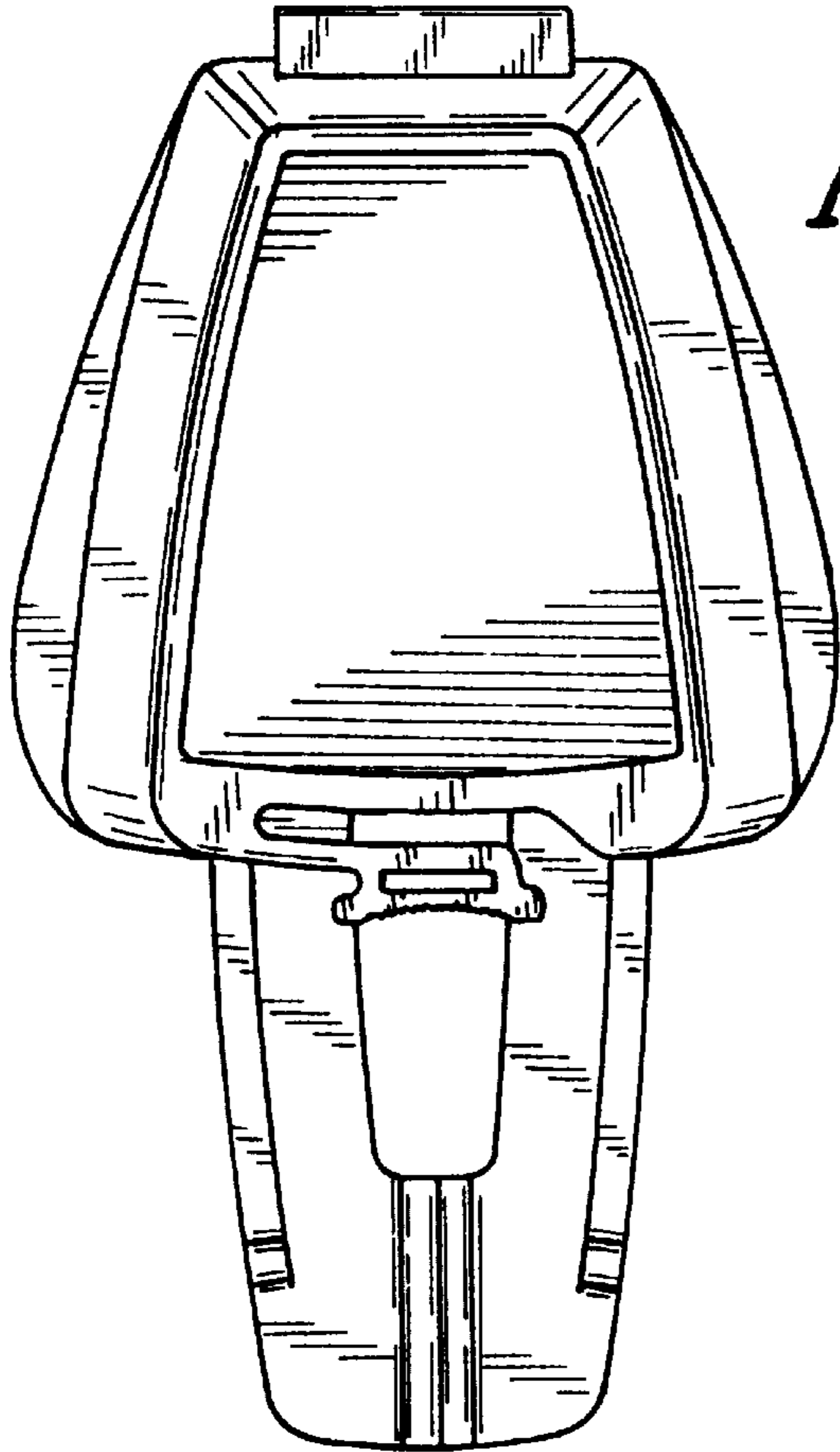
*Fig. 2*



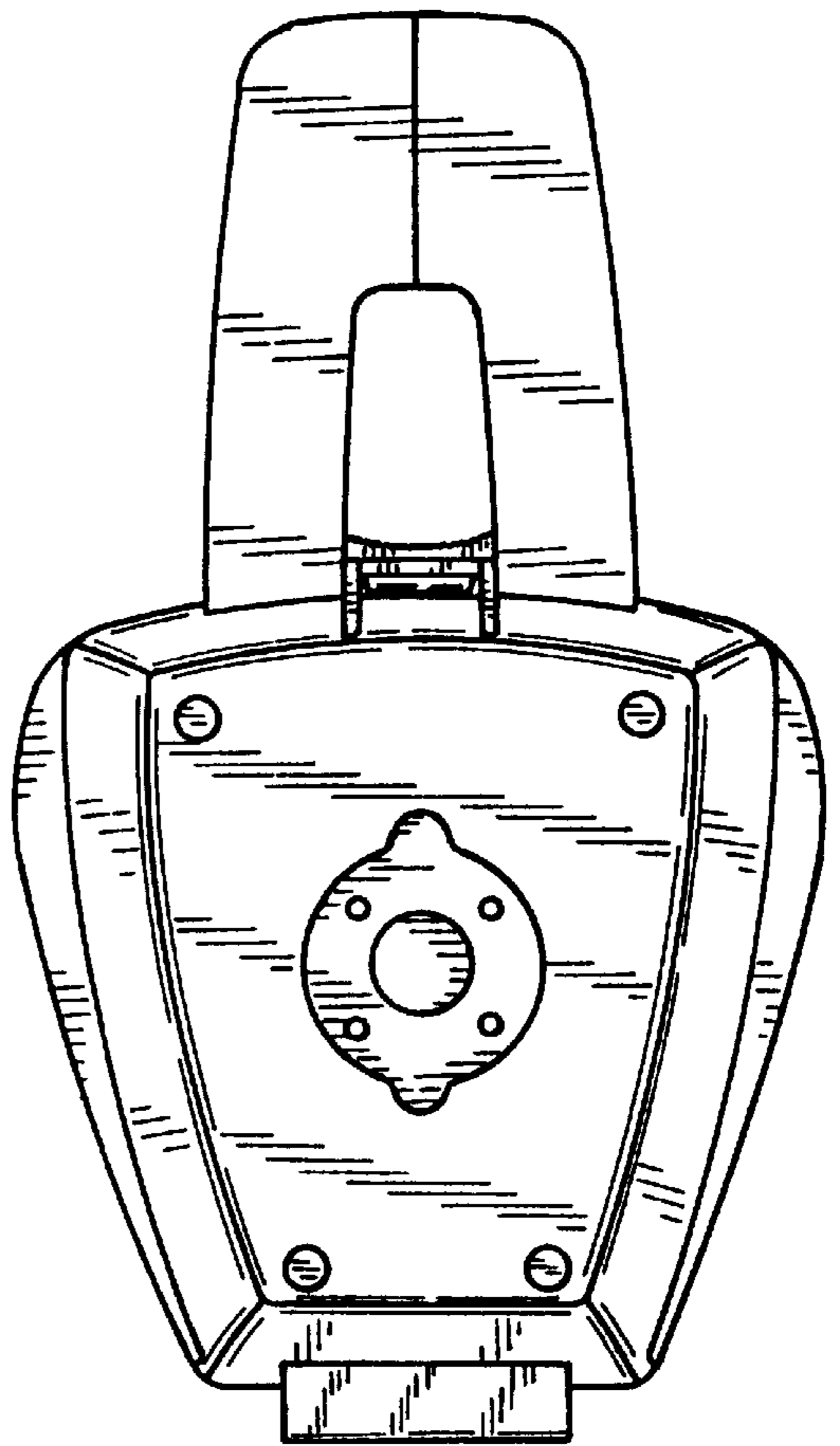
*Fig. 4*

*Fig. 6*





*Fig. 3*



*Fig. 7*

*Fig. 5*

