



US00D431720S

United States Patent [19] Fortune

[11] **Patent Number: Des. 431,720**

[45] **Date of Patent: ** Oct. 10, 2000**

[54] **CONTAINERS**

[75] Inventor: **Sean Patrick Fortune**, London, United Kingdom

[73] Assignee: **Hydron Limited**, Farnborough, United Kingdom

[**] Term: **14 Years**

[21] Appl. No.: **29/084,364**

[22] Filed: **Mar. 2, 1998**

[30] **Foreign Application Priority Data**

Sep. 4, 1997	[GB]	United Kingdom	2068774
Sep. 4, 1997	[GB]	United Kingdom	2068775
Sep. 4, 1997	[GB]	United Kingdom	9718819

[51] **LOC (7) Cl.** **03-01**

[52] **U.S. Cl.** **D3/264**

[58] **Field of Search** D3/263, 264, 265, D3/266, 267; 206/5, 5.1, 6; D9/415

[56] **References Cited**

U.S. PATENT DOCUMENTS

2,944,661	7/1960	Goldstein	206/5.1
2,996,171	8/1961	Hollinger	206/5.1
3,052,246	9/1962	Beard	206/5.1

3,719,273	3/1973	Abe	.	
4,429,786	2/1984	Hucal	206/5.1
4,512,471	4/1985	Kaster et al.	206/5.1
5,960,956	10/1999	Langanki	206/5.1 X

FOREIGN PATENT DOCUMENTS

881225	11/1961	United Kingdom	.
2214491	9/1989	United Kingdom	.
2297535	8/1996	United Kingdom	.
WO 97/28716	8/1997	WIPO	.

Primary Examiner—Louis S. Zarfaz
Assistant Examiner—Catherine R. Oliver
Attorney, Agent, or Firm—Frommer Lawrence & Haug, LLP; Thomas J. Kowalski

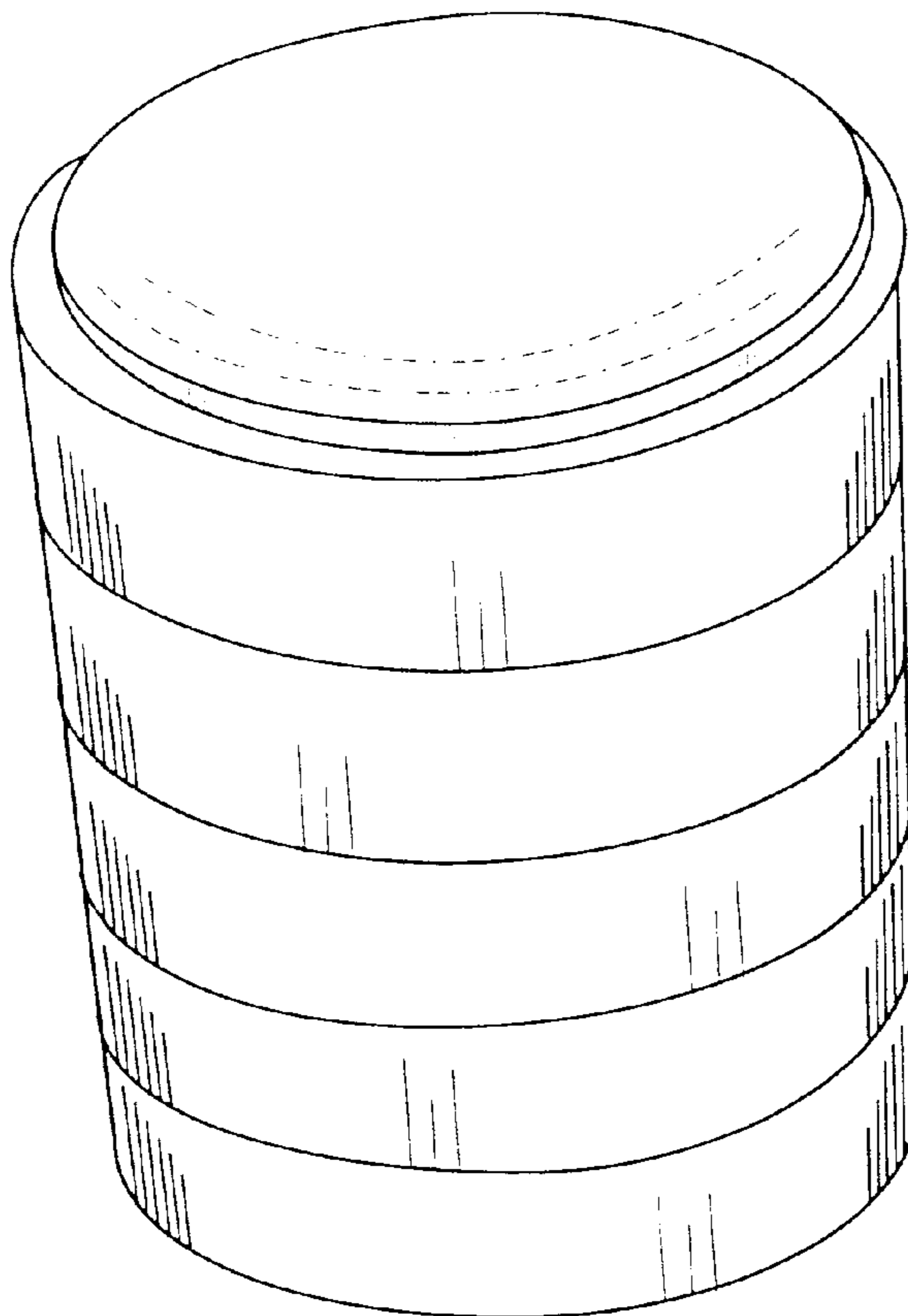
[57] **CLAIM**

An ornamental design for a containers, as shown and described.

DESCRIPTION

FIG. 1 shows a top, front perspective view of the containers showing my new design;
FIG. 2 shows a top view thereof;
FIG. 3 shows a bottom view thereof; and,
FIG. 4 shows a side view thereof, with the opposite side being a mirror image thereof.

1 Claim, 4 Drawing Sheets



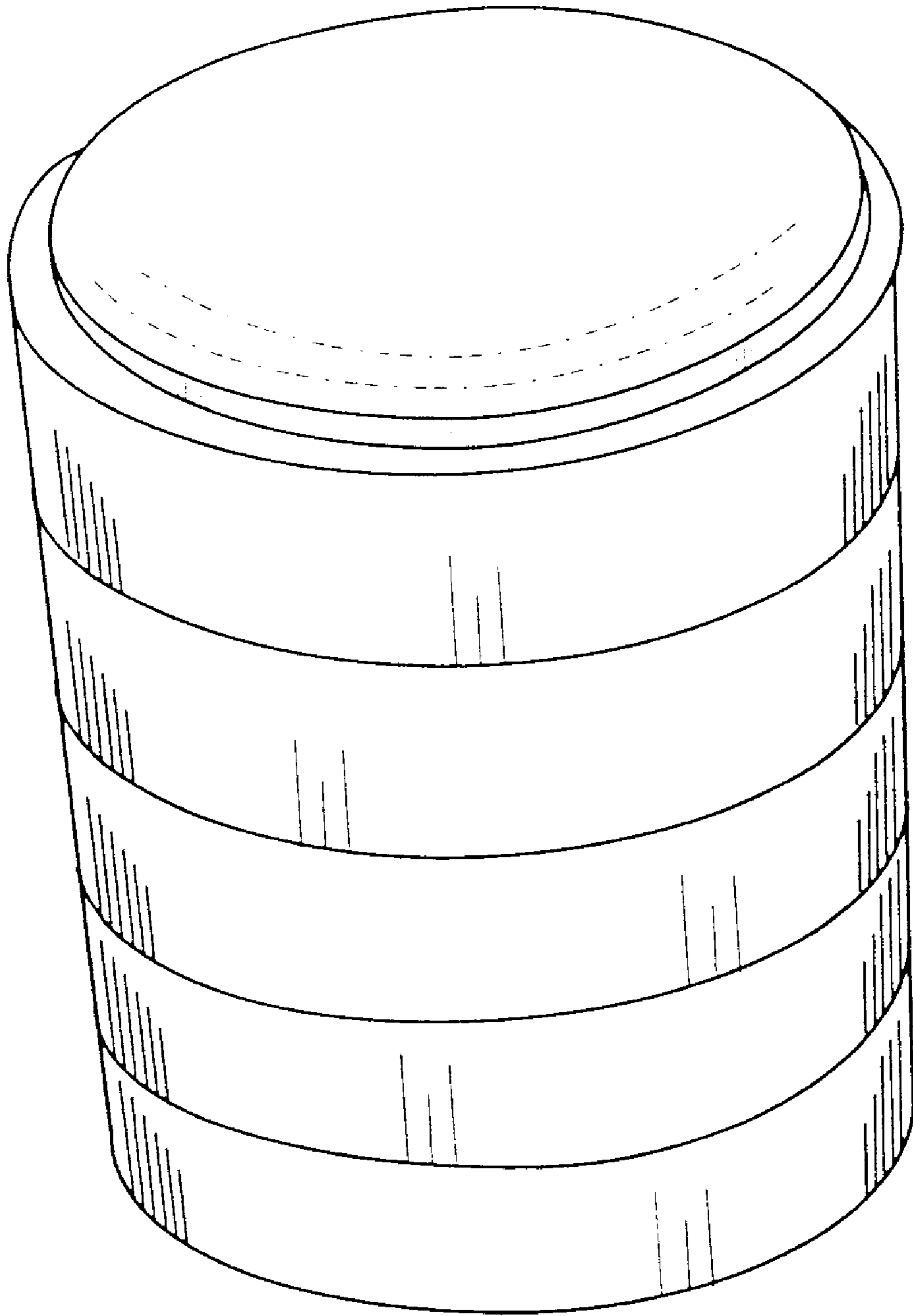


FIG 1

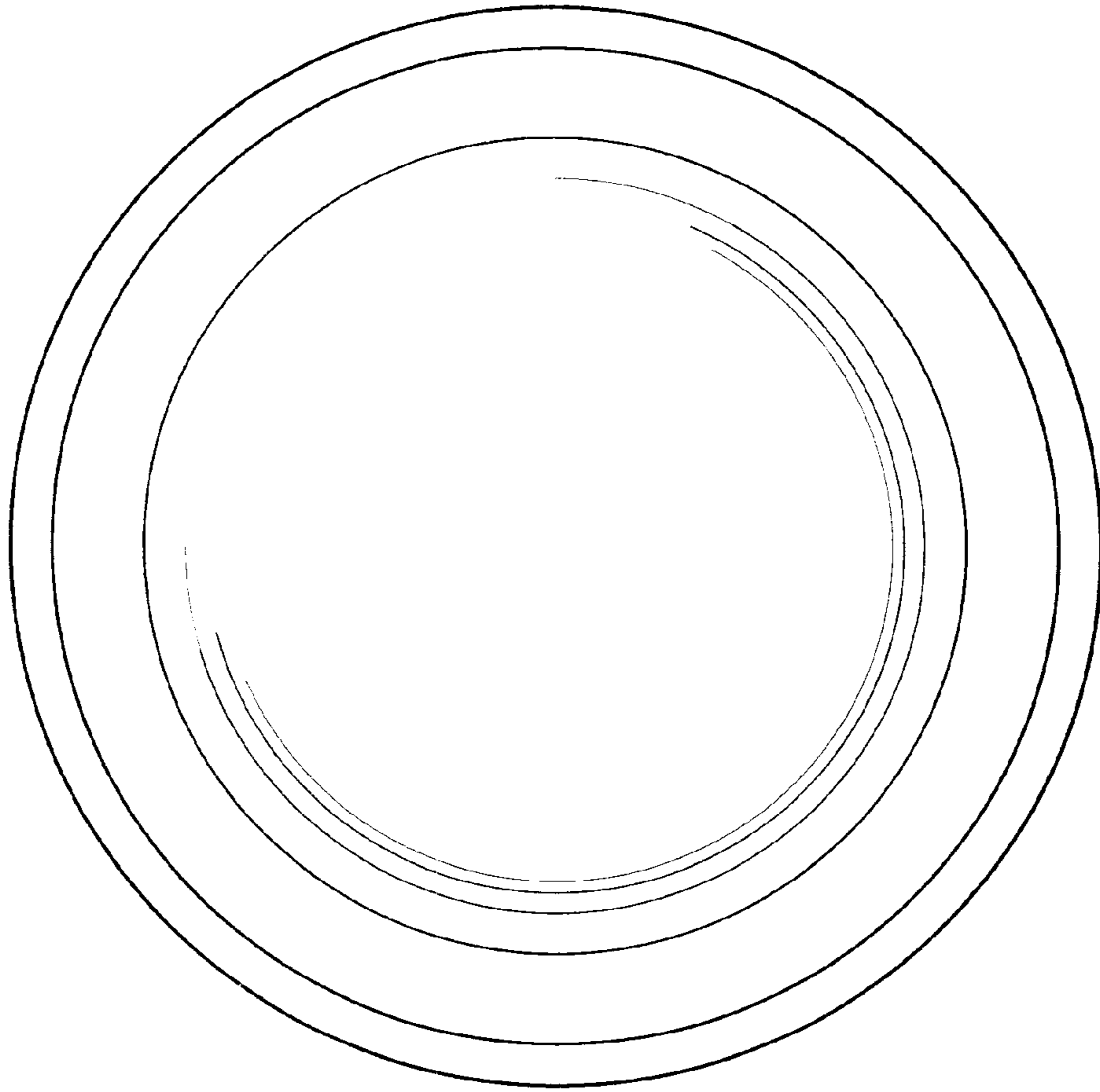


FIG 2

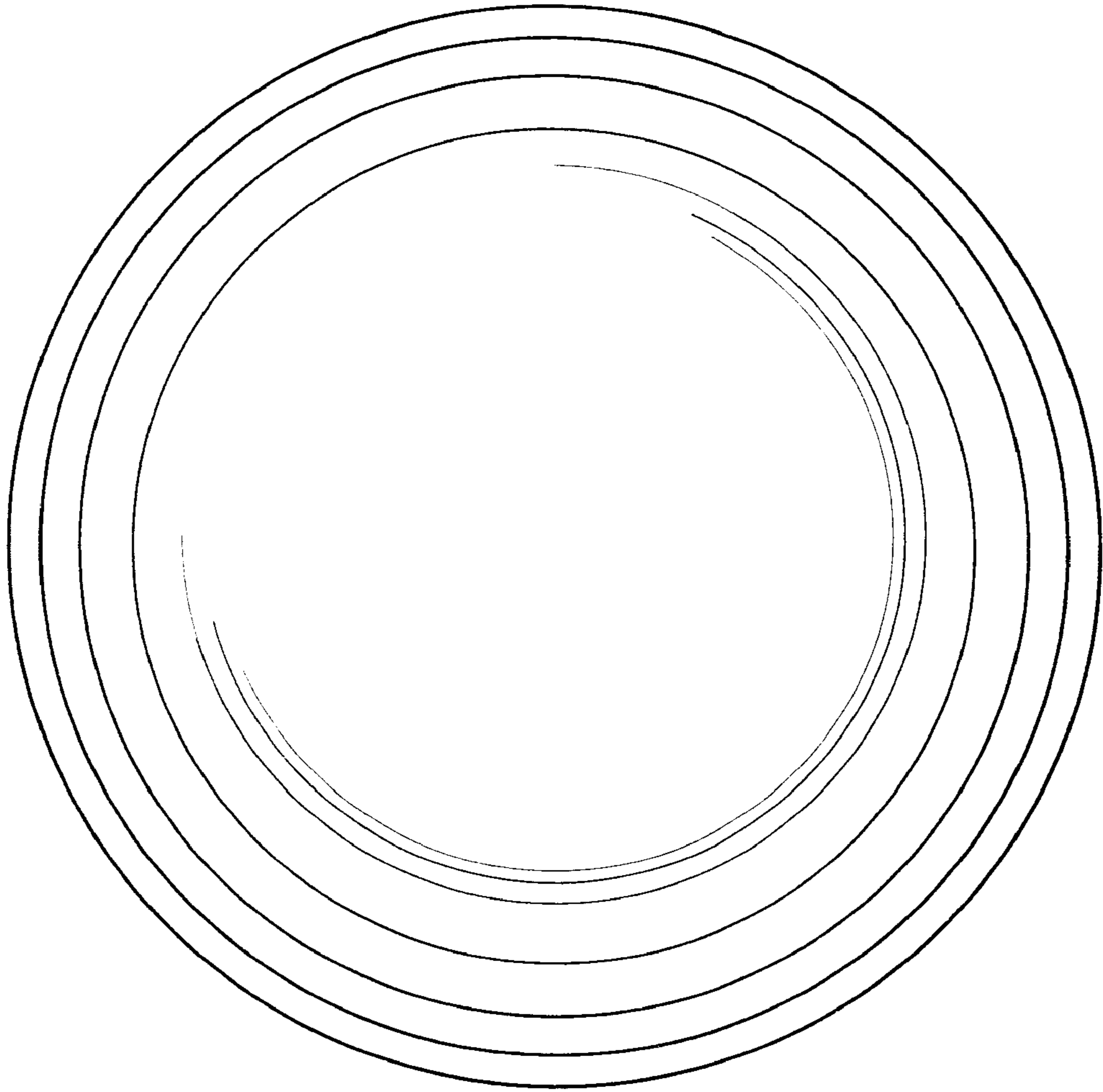


FIG 3

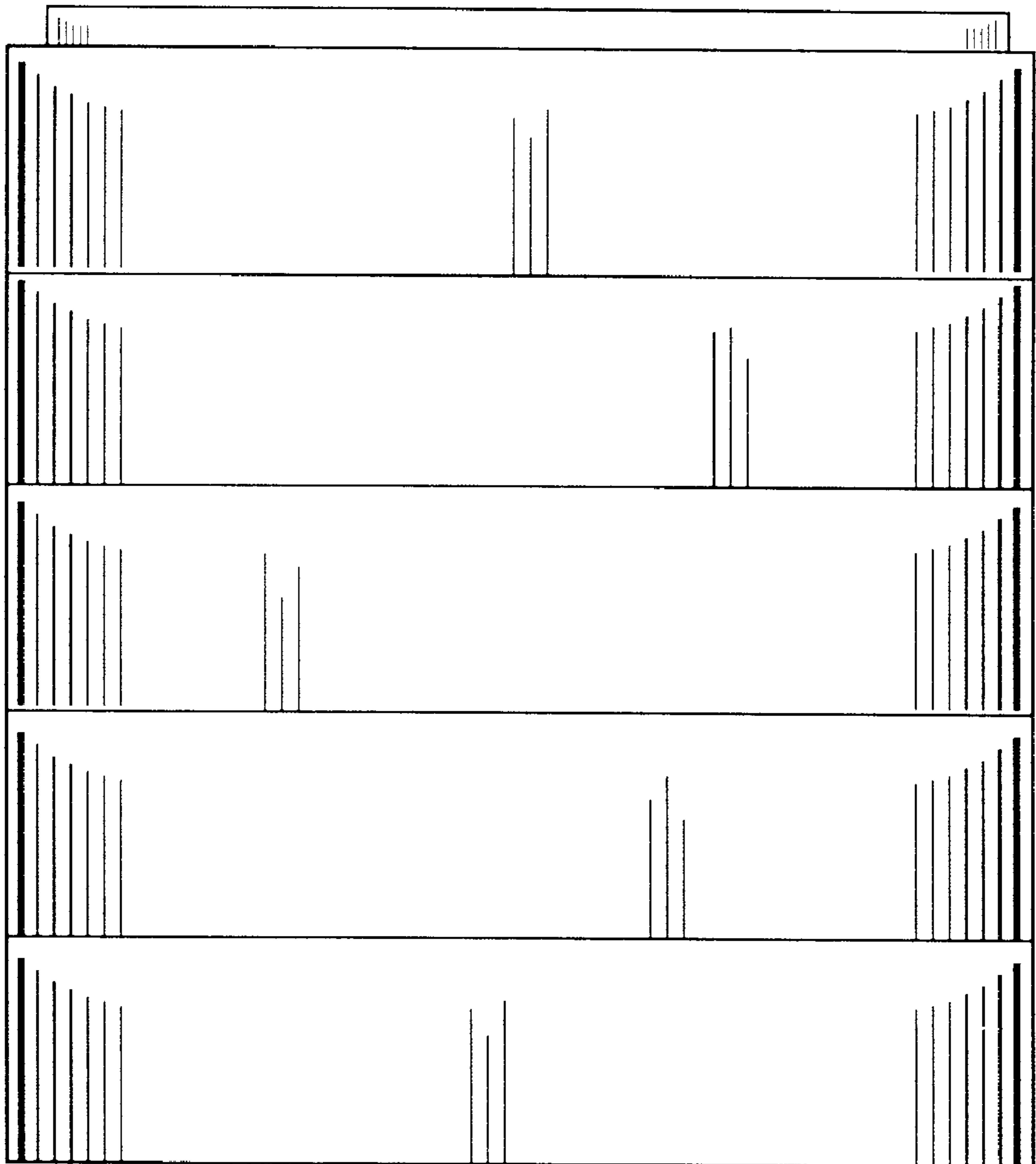


FIG 4