



US00D431709S

United States Patent [19] Cupps

[11] **Patent Number: Des. 431,709**

[45] **Date of Patent: ** Oct. 10, 2000**

[54] **CAP POUCH**

6,021,525 2/2000 Mertins 2/209.13 X

[76] Inventor: **Era M Cupps**, 10006 Cedar Branch,
Baytown, Tex. 77521

Primary Examiner—Paula A. Mortimer

[**] Term: **14 Years**

[57] **CLAIM**

The ornamental design for a cap pouch, as shown and described.

[21] Appl. No.: **29/115,654**

[22] Filed: **Dec. 17, 1999**

DESCRIPTION

[51] **LOC (7) Cl.** **02-03**

[52] **U.S. Cl.** **D2/891**

[58] **Field of Search** D2/865, 866, 895,
D2/891; D20/10, 40, 19, 27, 22; 40/329,
640, 642.02; 2/209.13, 181, 181.4; D3/231

FIG. 1 is a front elevational view of the cap pouch of the present invention;
FIG. 2 is a rear elevational view of the cap pouch of FIG. 1;
FIG. 3 is a right side elevational view of the cap pouch of FIG. 1, the left view being a mirror image thereof;
FIG. 4 is a top plan view of the cap pouch of FIG. 1;
FIG. 5 is a bottom plan view of the cap pouch of FIG. 1; and,
FIG. 6 is a top, front, right side perspective view of the cap pouch of FIG. 1.

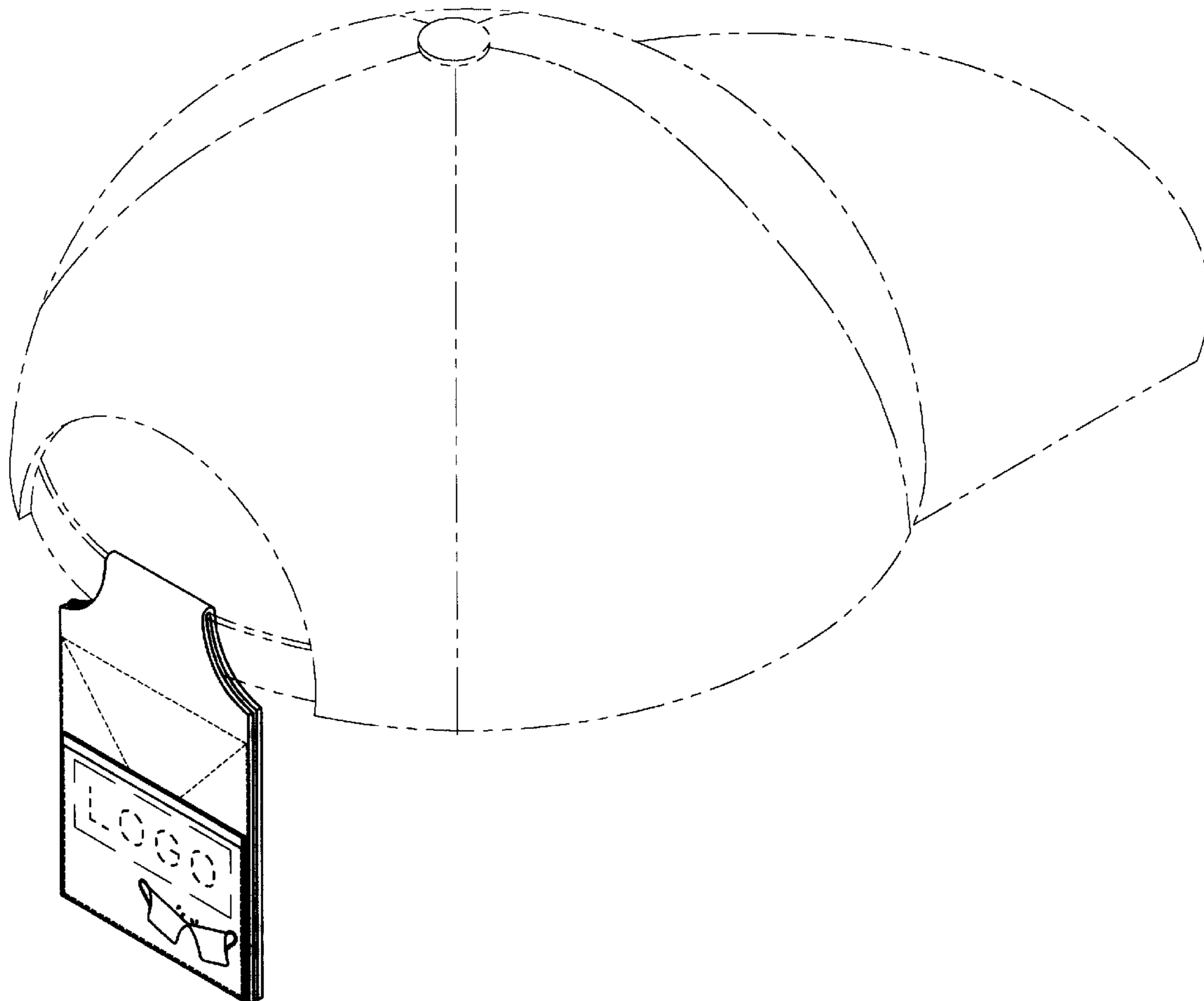
[56] **References Cited**

U.S. PATENT DOCUMENTS

D. 354,842	1/1995	Imre	D2/891
D. 355,678	2/1995	Mattox	D20/22
D. 366,145	1/1996	Hankins et al.	D3/321
D. 408,137	4/1999	Leininger	D3/321
D. 412,937	8/1999	Franklin	D20/27

The broken lines showing of a cap in FIG. 5 is for illustrative purposes only and form no part of the claimed design as are the broken letters in FIGS. 1 and 6.

1 Claim, 3 Drawing Sheets



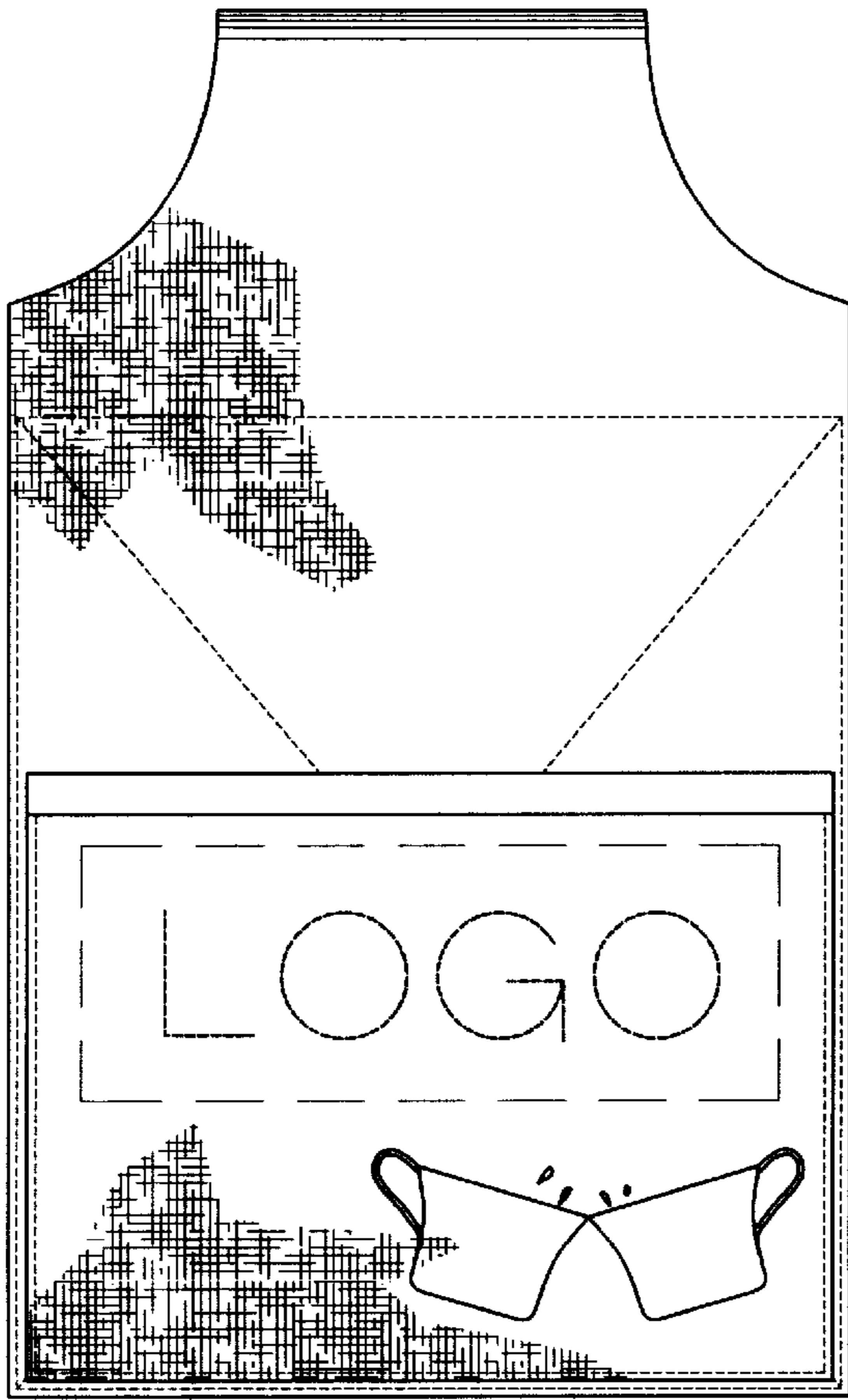


FIG. 1

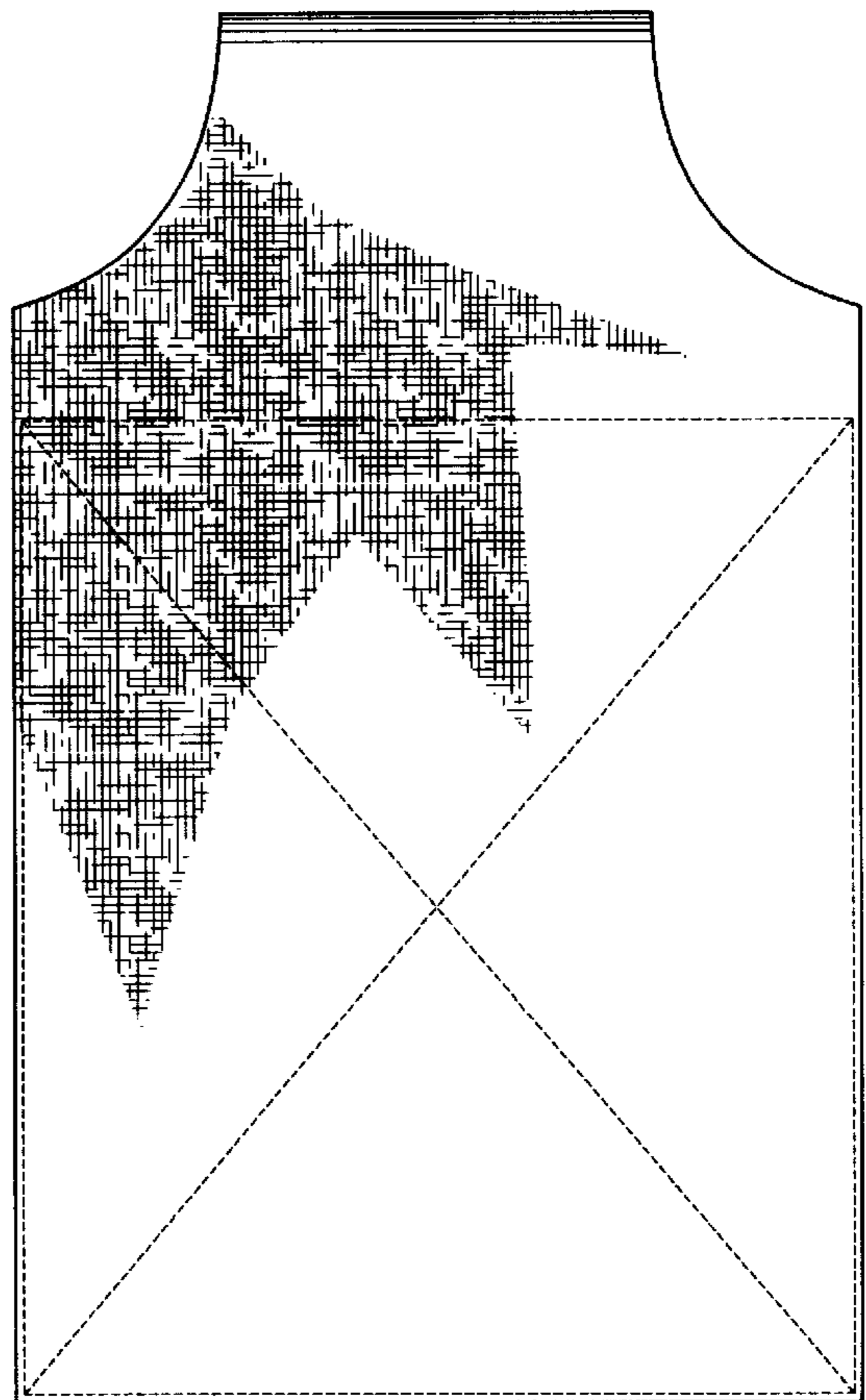


FIG. 2

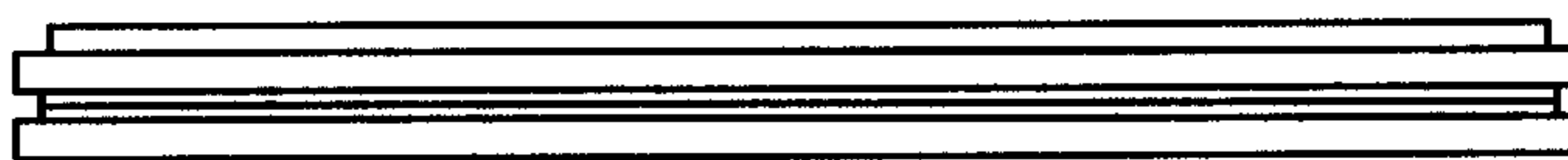
FIG. 3



FIG. 4



FIG. 5



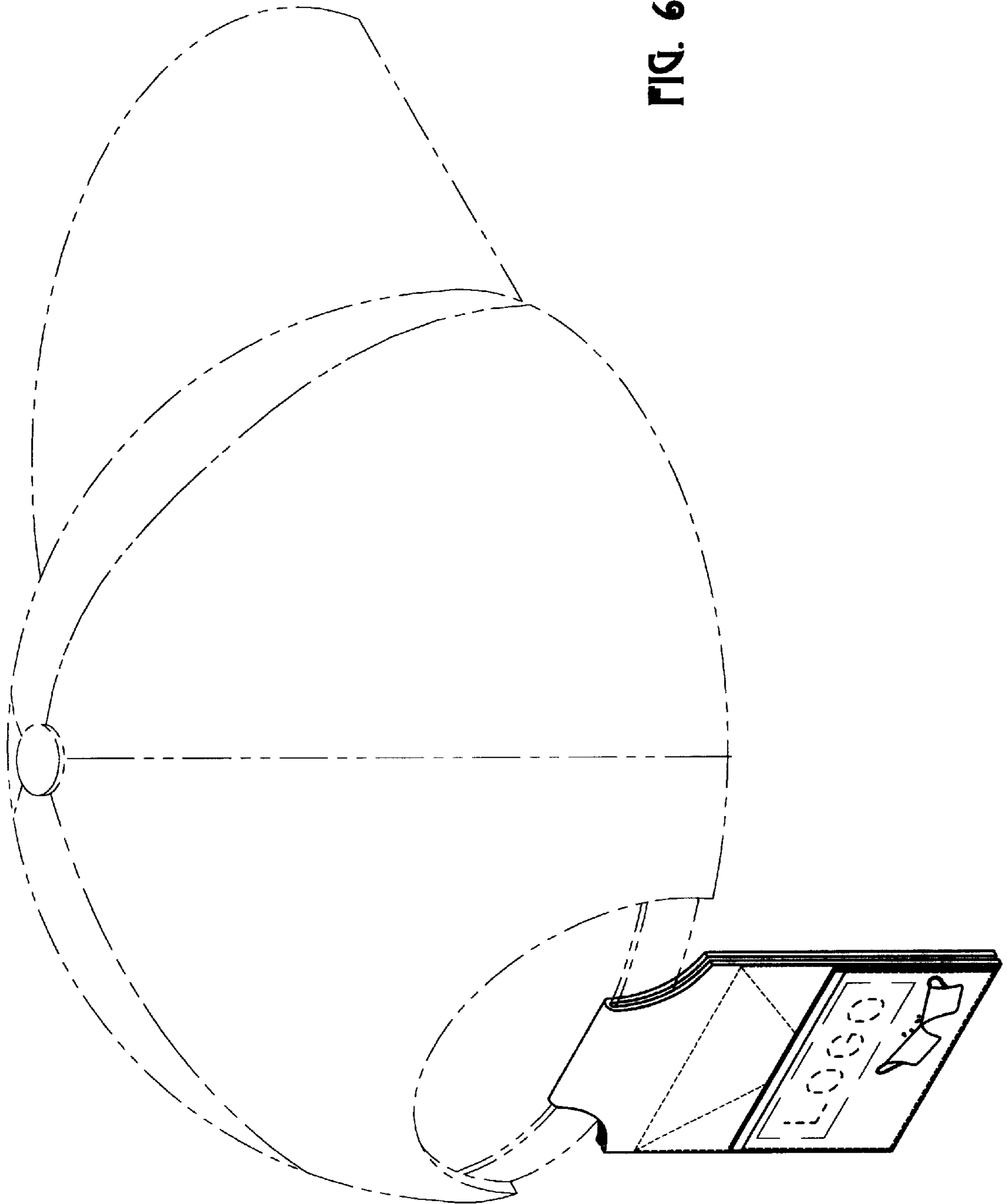


FIG. 6