



US00D431708S

United States Patent [19]
McCormack et al.

[11] **Patent Number: Des. 431,708**
[45] **Date of Patent: ** Oct. 3, 2000**

[54] **INTERACTIVE KIOSK**
[76] Inventors: **David McCormack**, 9 Hilbre Court
South Parade, West Kirby, United
Kingdom, CH 48 3JU; **Jonathan**
White, 22 Arundel Gardens, London,
United Kingdom, W 11 2LB

D. 377,784 2/1997 Wilson D14/100
D. 401,973 12/1998 Isshiki et al. D20/10
D. 402,782 12/1998 Johnson D99/28
D. 407,755 4/1999 Isshiki et al. D20/10
D. 415,330 10/1999 King D99/28
D. 417,440 12/1999 Wilson D14/100

[**] Term: **14 Years**

Primary Examiner—Paula A. Mortimer
Attorney, Agent, or Firm—Townsend and Townsend and
Crew, LLP

[21] Appl. No.: **29/110,545**
[22] Filed: **Sep. 8, 1999**

[57] **CLAIM**

The ornamental design for interactive kiosk, as shown and
described.

[30] **Foreign Application Priority Data**

May 13, 1999 [GB] United Kingdom 2083300

DESCRIPTION

[51] **LOC (7) Cl.** **14-02**
[52] **U.S. Cl.** **D99/28; D99/35; D14/100**
[58] **Field of Search** D99/28, 35, 36,
D99/41; D20/1, 2, 10; D14/100, 103, 114;
361/679, 680, 681; 194/350

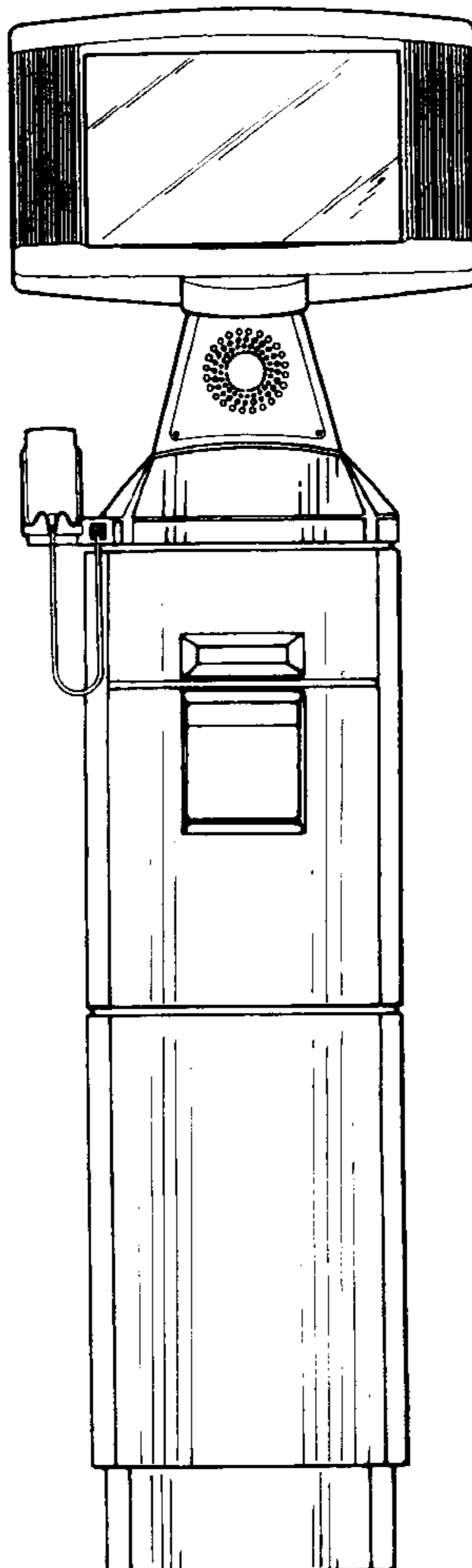
FIG. 1 is a left side elevational view;
FIG. 2 is a front elevational view;
FIG. 3 is a rear elevational view;
FIG. 4 is a right side elevational view;
FIG. 5 is a top plan view;
FIG. 6 is a bottom plan view;
FIG. 7 is an exploded left side elevational view; and,
FIG. 8 is an exploded front elevational view.

[56] **References Cited**

U.S. PATENT DOCUMENTS

D. 377,170 1/1997 Wilson D14/130

1 Claim, 4 Drawing Sheets



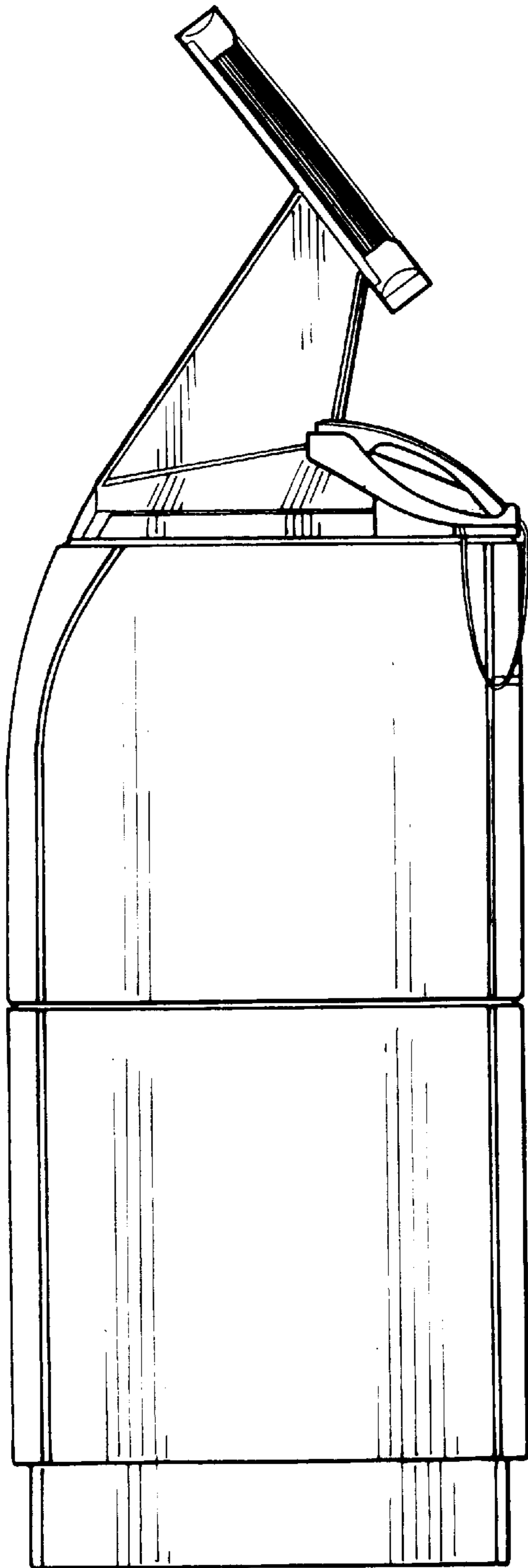


FIG. 1

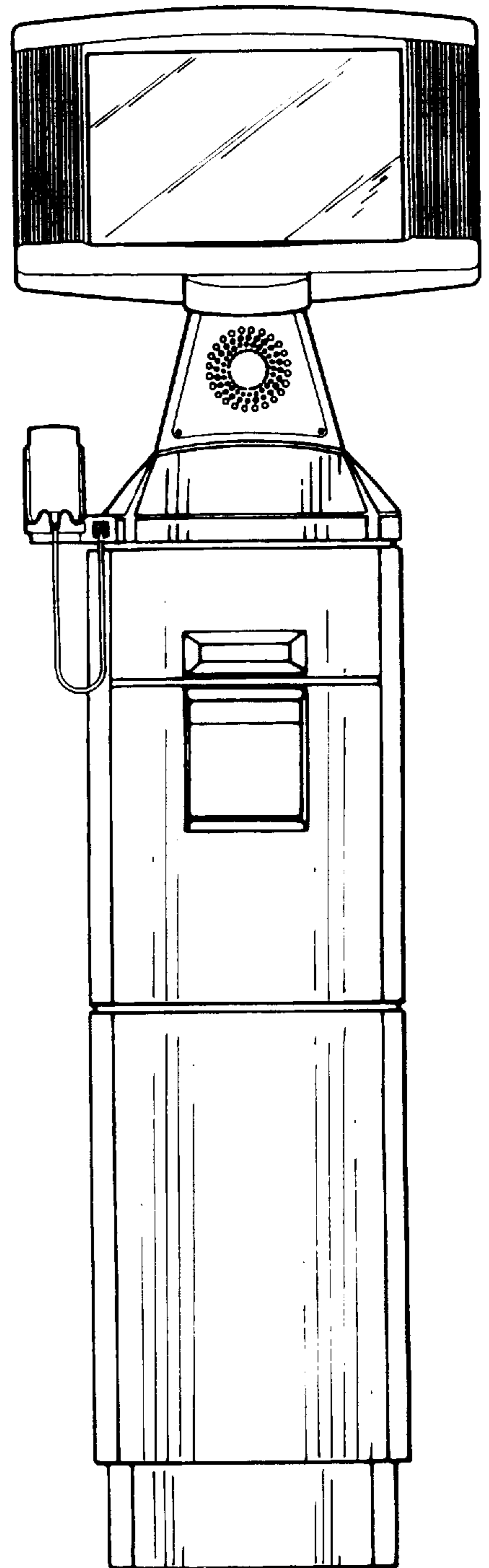


FIG. 2

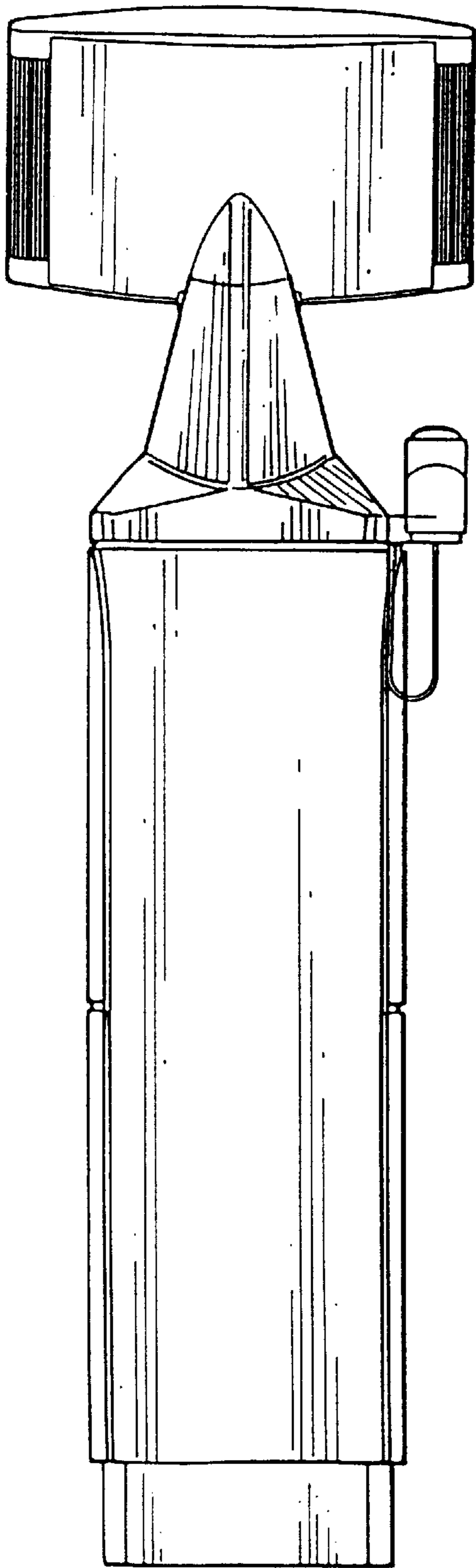


FIG. 3

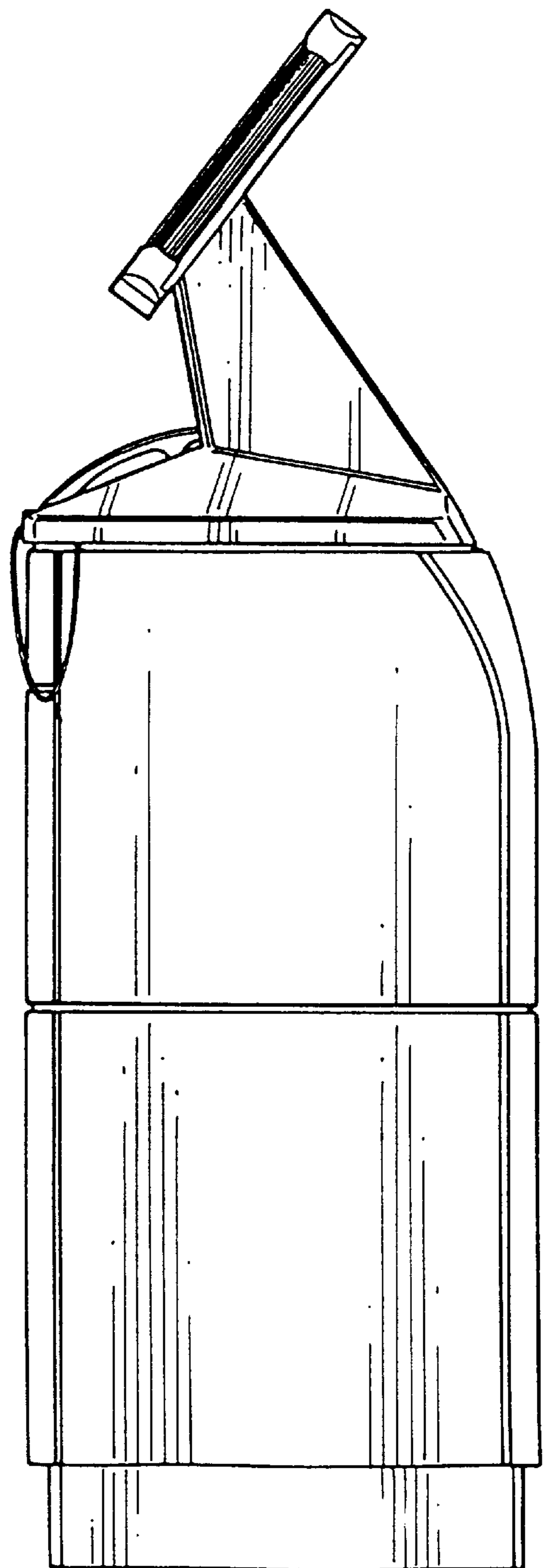


FIG. 4

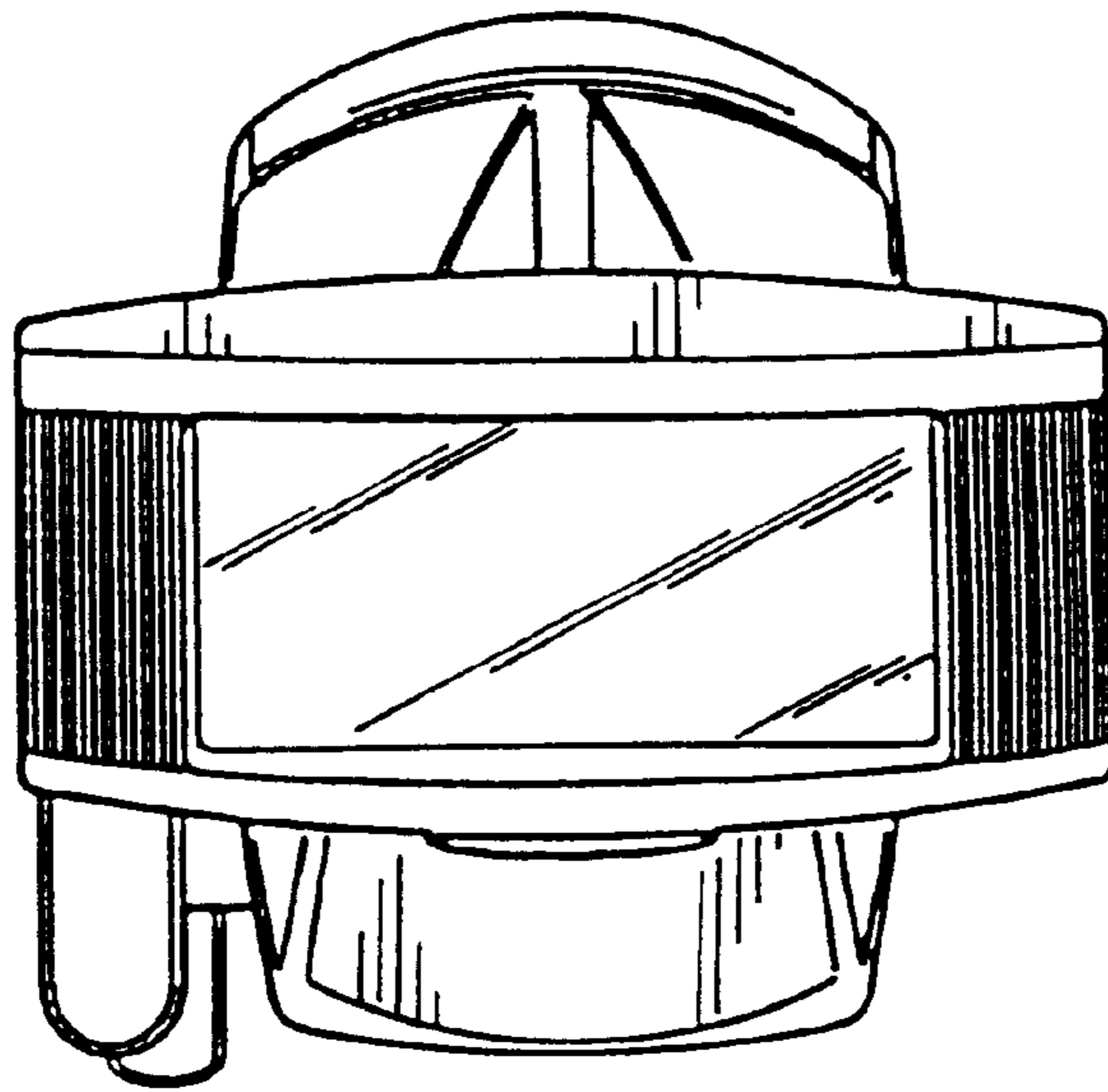


FIG. 5

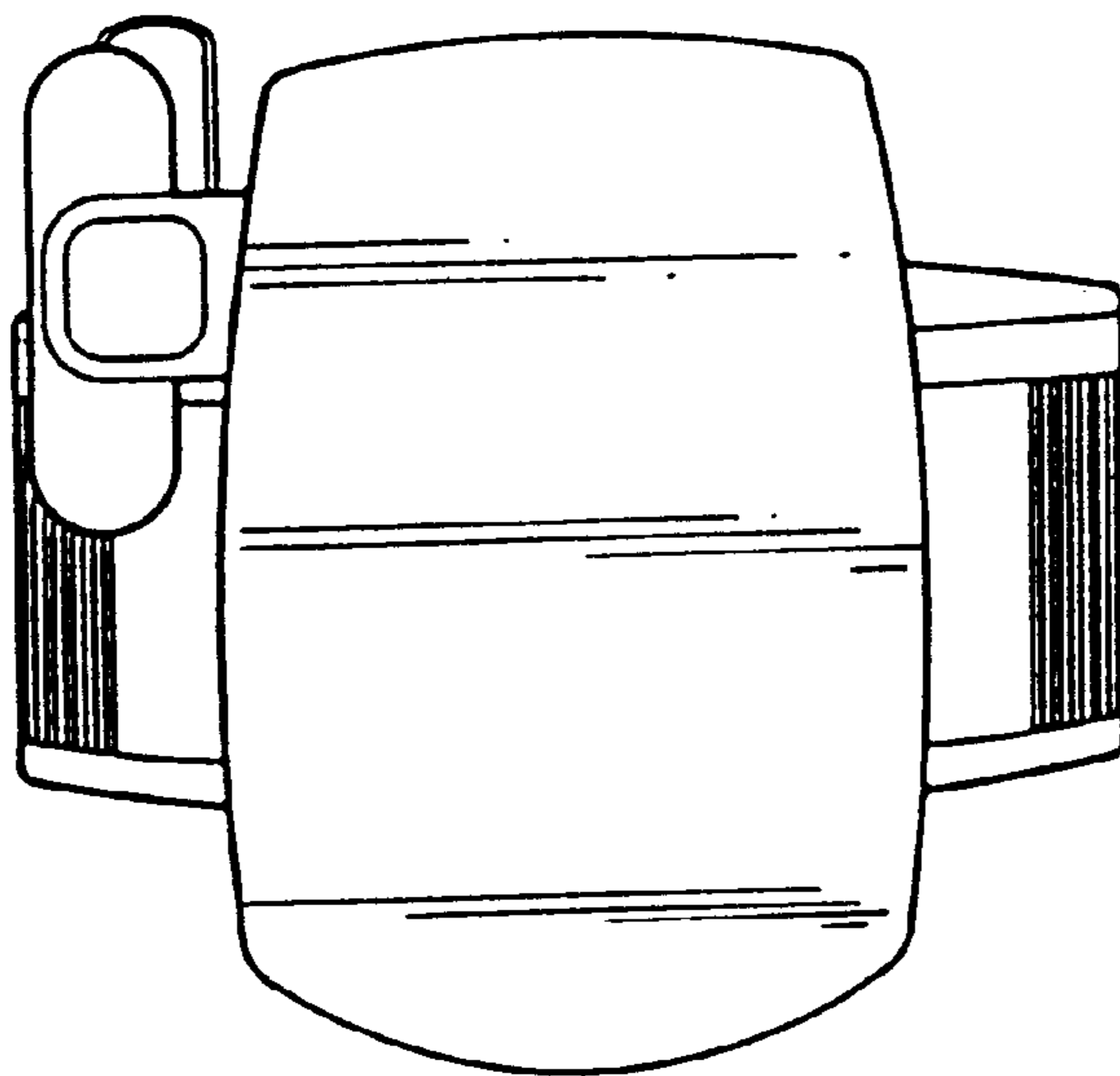


FIG. 6

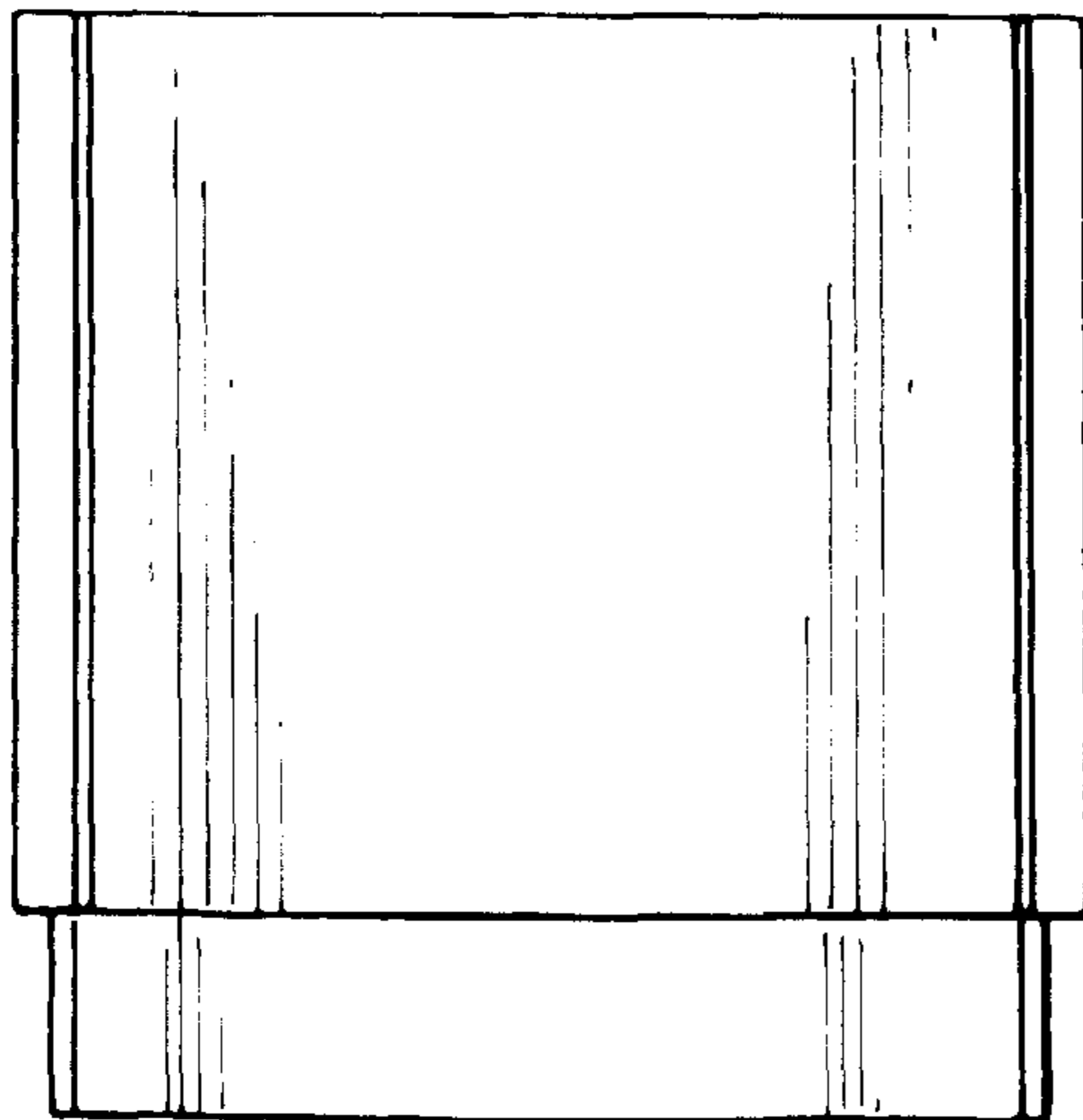
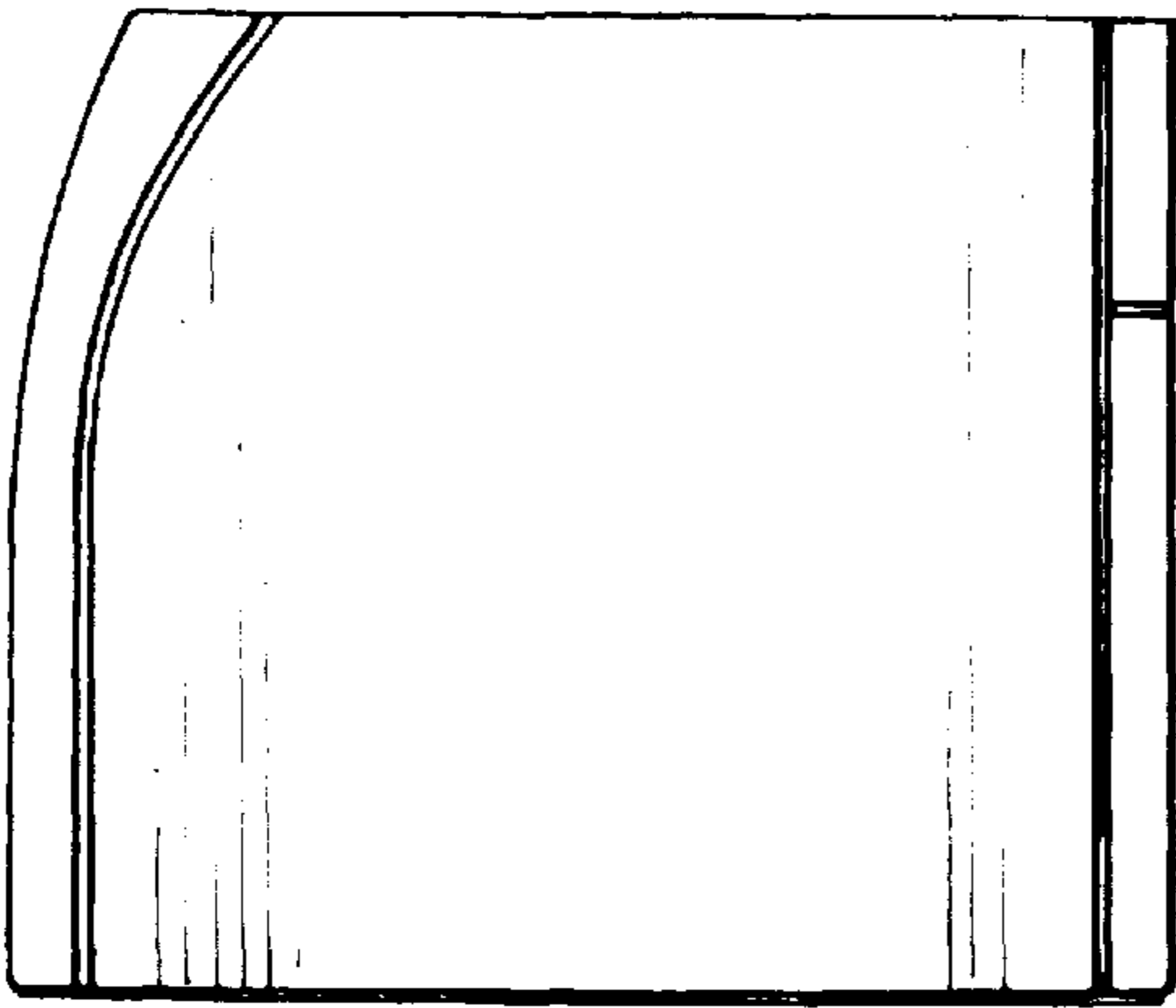
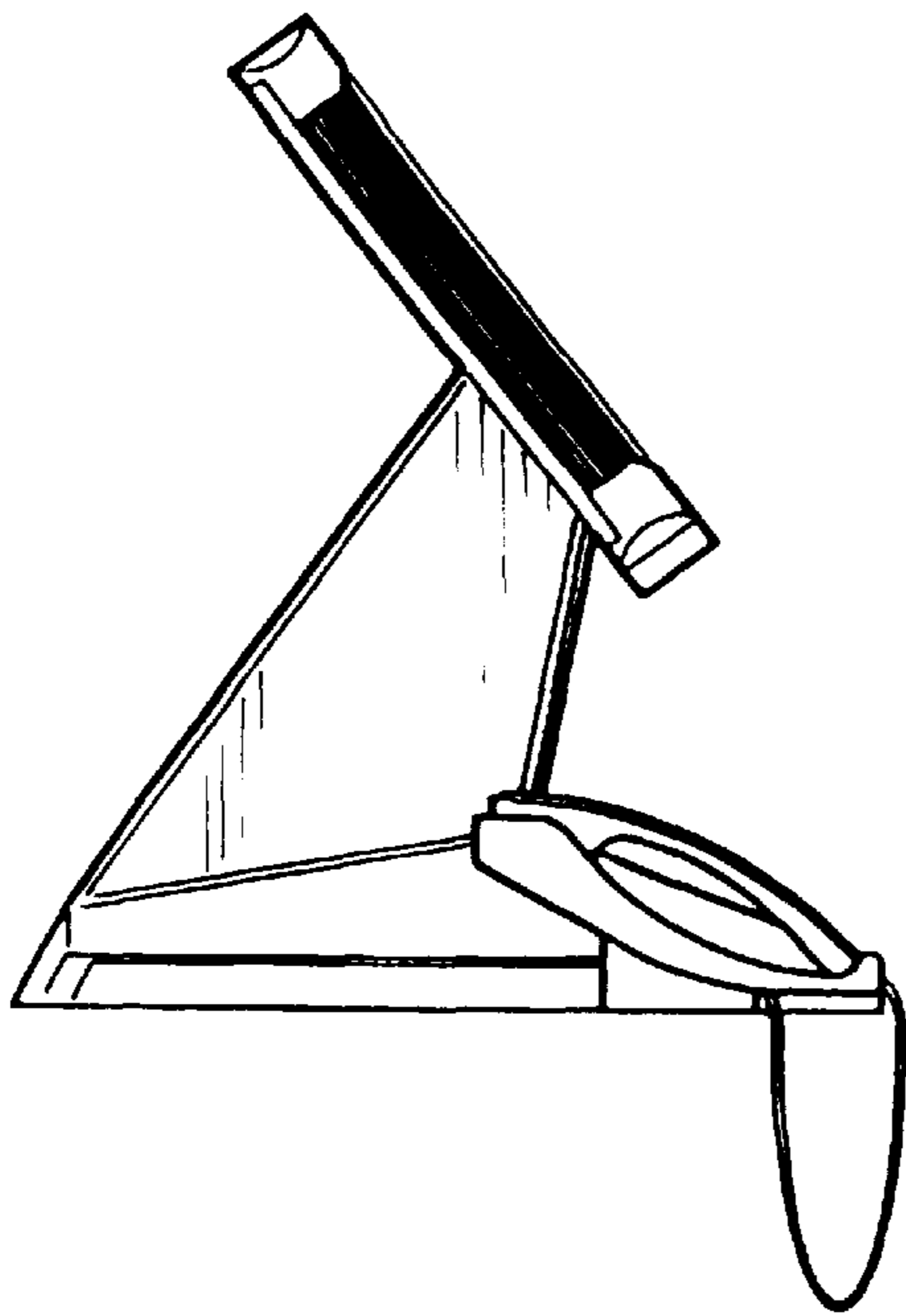


FIG. 7

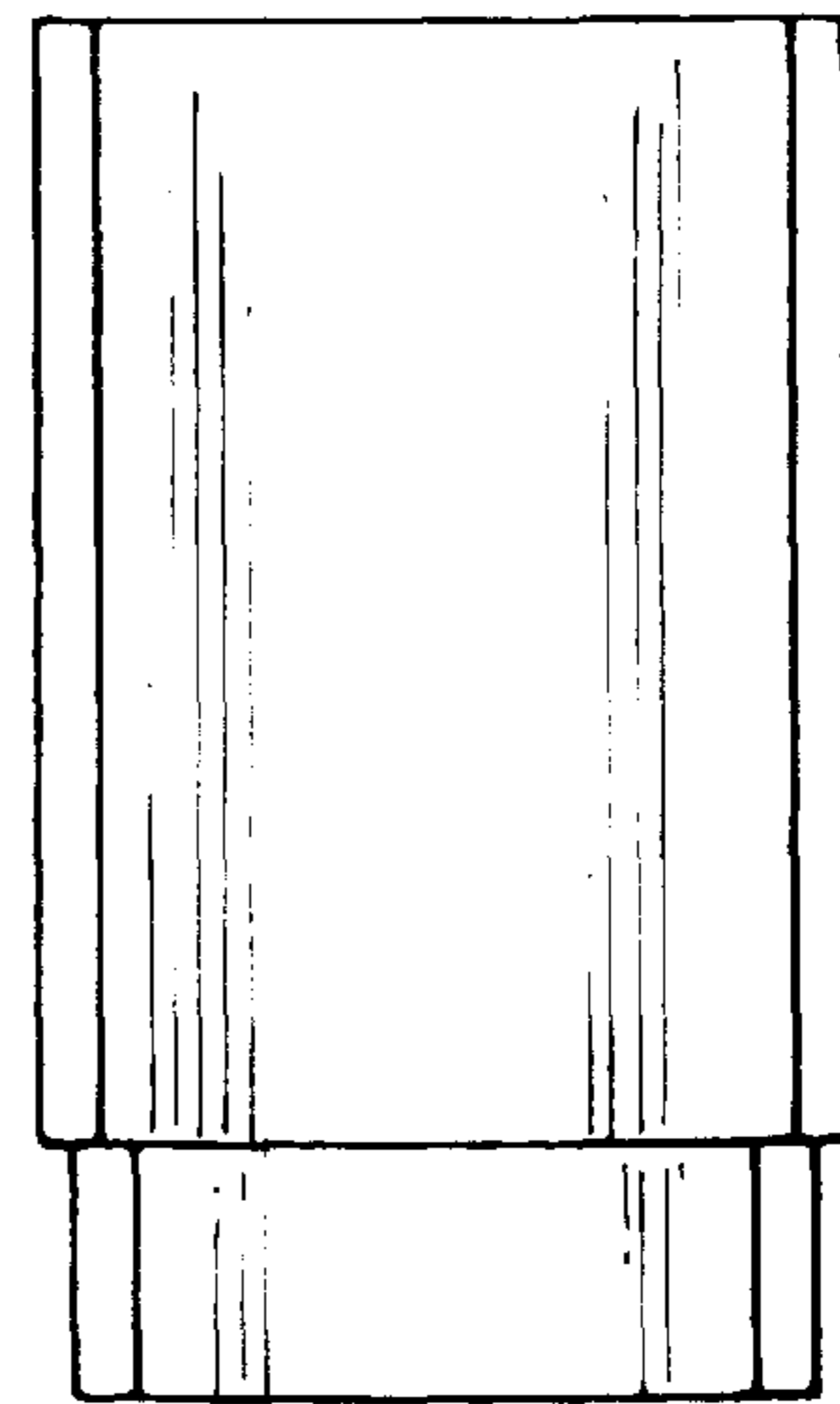
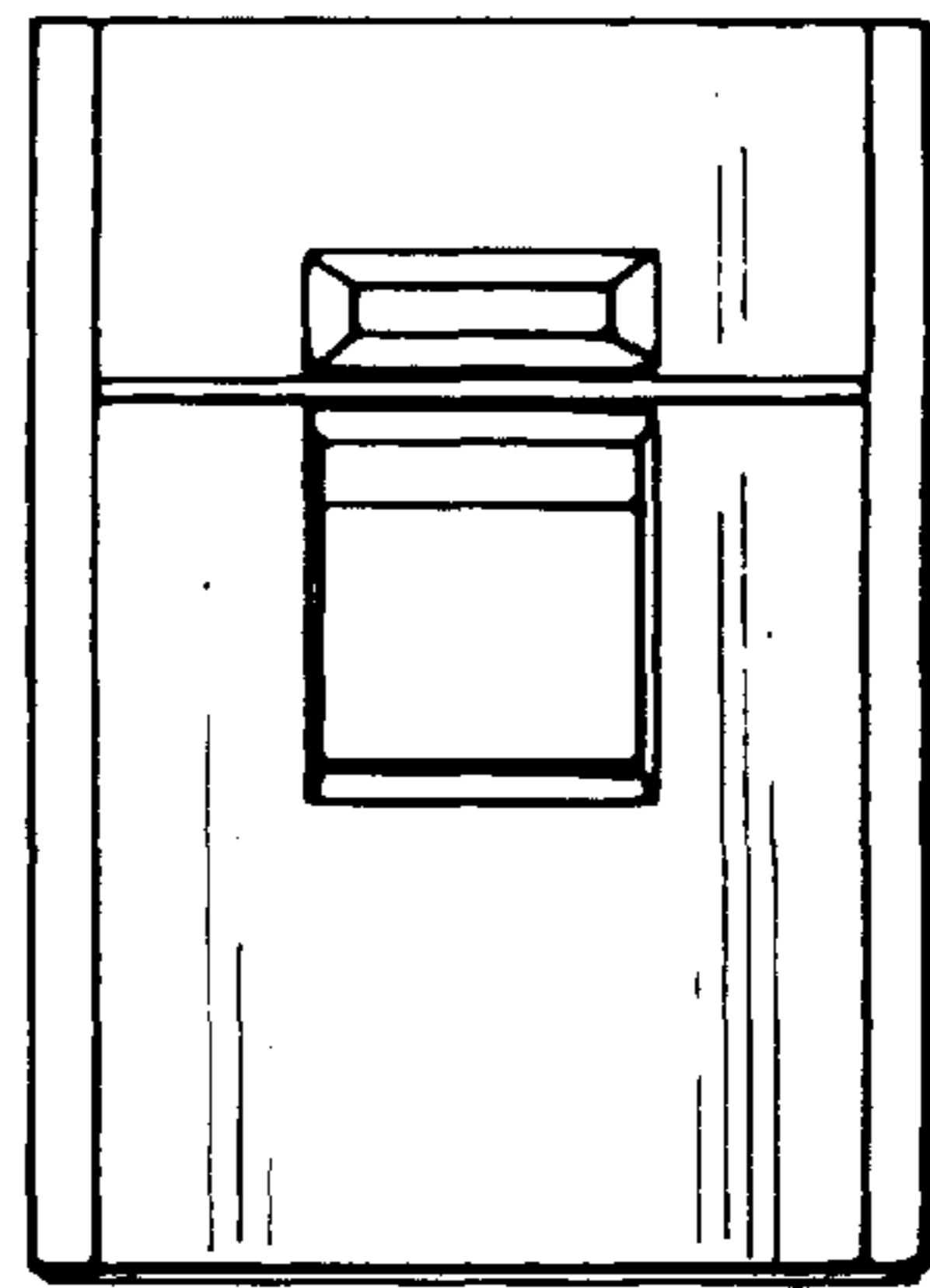
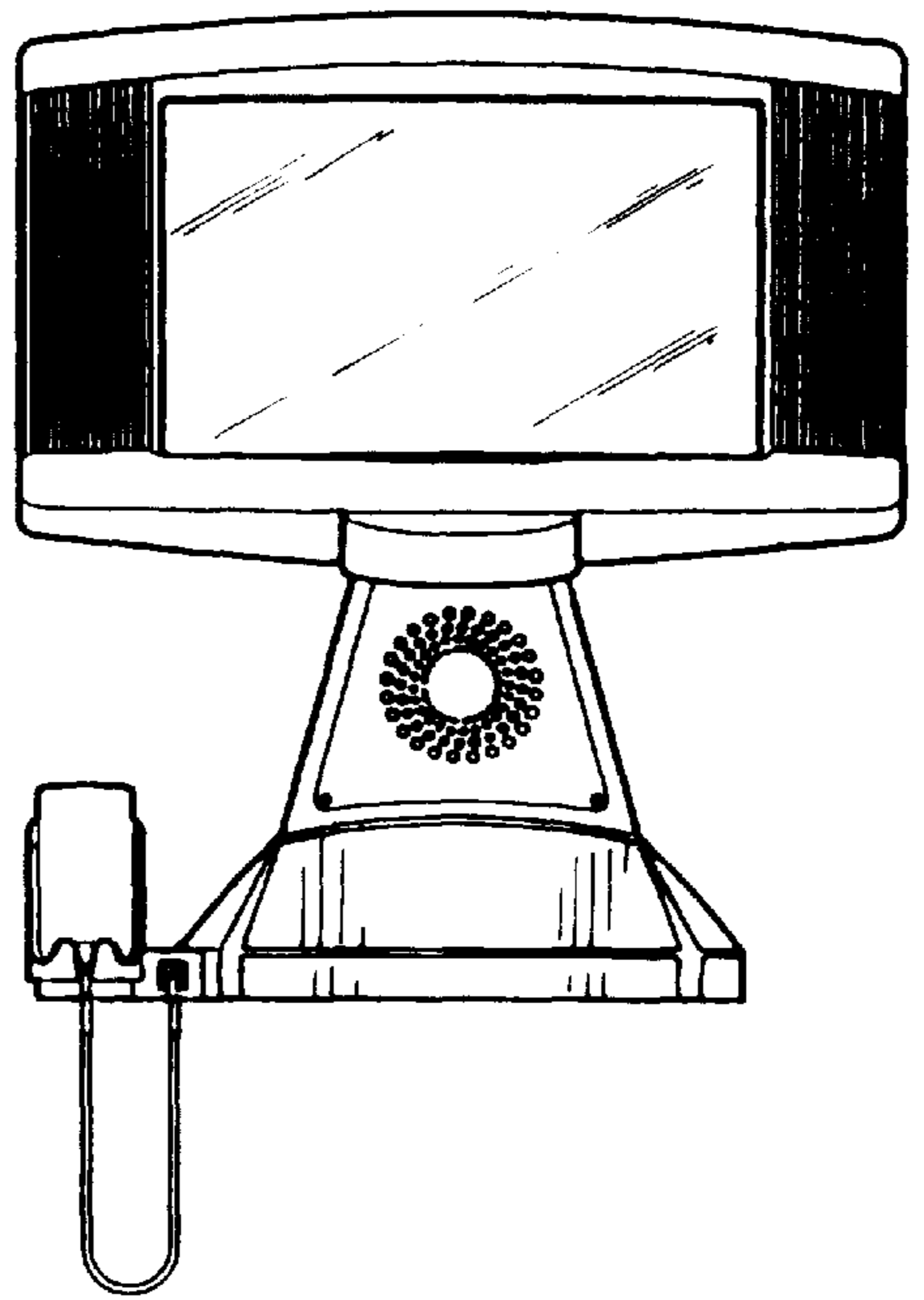


FIG. 8