



US00D431701S

United States Patent [19]
Castillo

[11] **Patent Number: Des. 431,701**
[45] **Date of Patent: ** Oct. 3, 2000**

[54] **PAINT BRUSH SUPPORT**

FOREIGN PATENT DOCUMENTS

[76] Inventor: **David Castillo**, 4827 Betty Lou St.,
San Antonio, Tex. 78229

190369 8/1986 European Pat. Off. .
2492323 4/1982 France .

[**] Term: **14 Years**

Primary Examiner—Robin V. Taylor
Attorney, Agent, or Firm—Stephen R. Greiner

[21] Appl. No.: **29/114,321**

[57] **CLAIM**

[22] Filed: **Nov. 18, 1999**

The ornamental design for a paint brush support, as shown and described.

[51] **LOC (7) Cl.** **07-07**

[52] **U.S. Cl.** **D32/54**

[58] **Field of Search** D32/53, 53.1,
D32/54; 220/694, 697, 699–701; 248/110;
206/209; 211/66

DESCRIPTION

FIG. 1 is an environmental perspective view of a paint brush support showing my new design;

FIG. 2 is a top view thereof;

FIG. 3 is a right side elevational view with the left side elevational view being a mirror image thereof;

FIG. 4 is a front elevational view with the rear elevational view being a mirror image thereof; and,

FIG. 5 is a bottom view thereof.

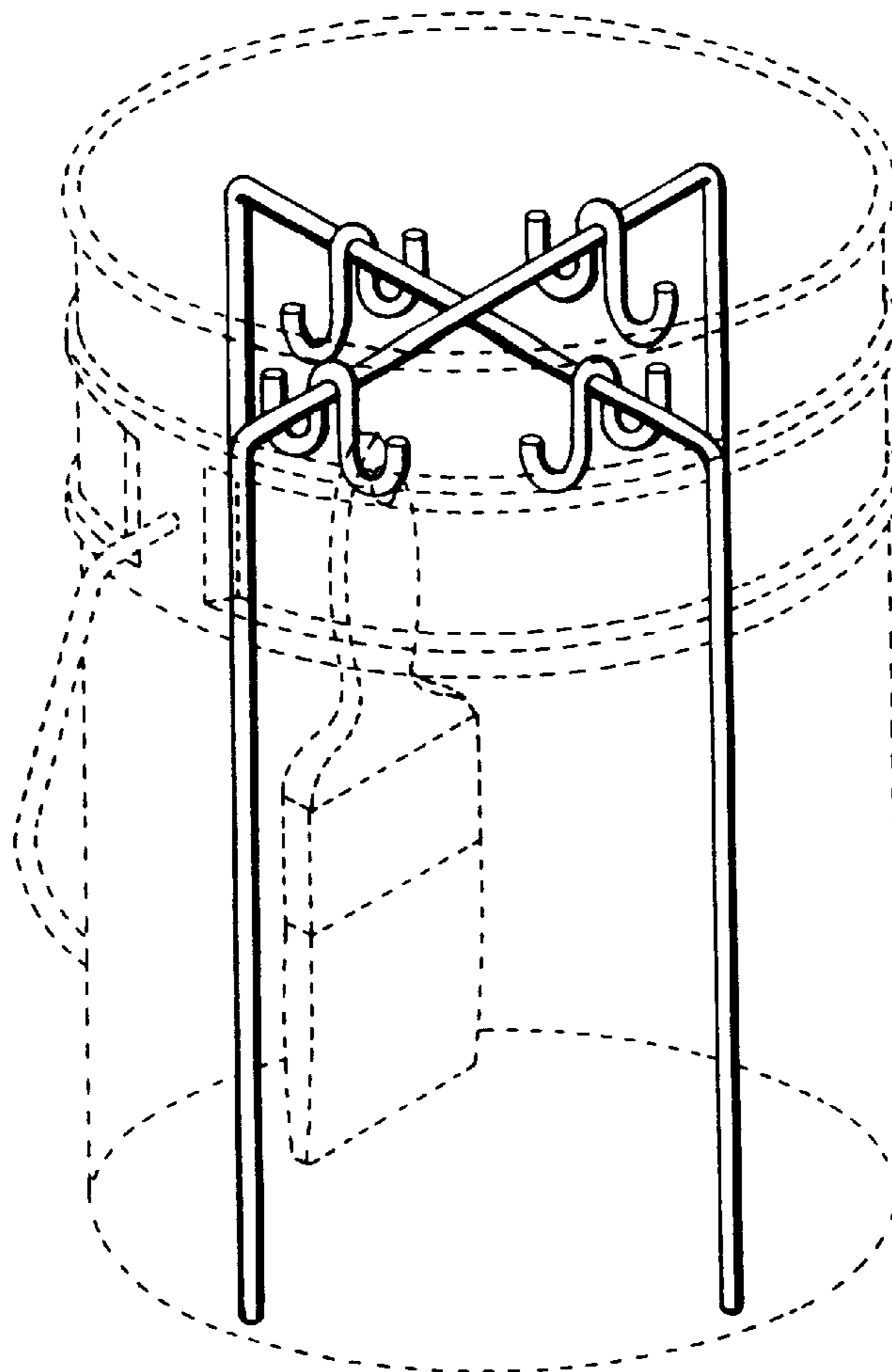
The broken line showing of a bucket and paint brush in FIG. 1 is for demonstrative purposes only and forms no part of the claimed design.

[56] **References Cited**

U.S. PATENT DOCUMENTS

D. 324,541	3/1992	Dudley	D19/35
D. 357,100	4/1995	Ostruh	D32/53
D. 372,125	7/1996	Frazier	D32/53
1,461,618	7/1923	Hopkins	.	
2,081,570	5/1937	Akergren	15/257.01
2,744,635	5/1956	Hiss	.	
4,852,833	8/1989	Lockwood	.	
5,829,603	11/1998	Martineau	.	

1 Claim, 2 Drawing Sheets



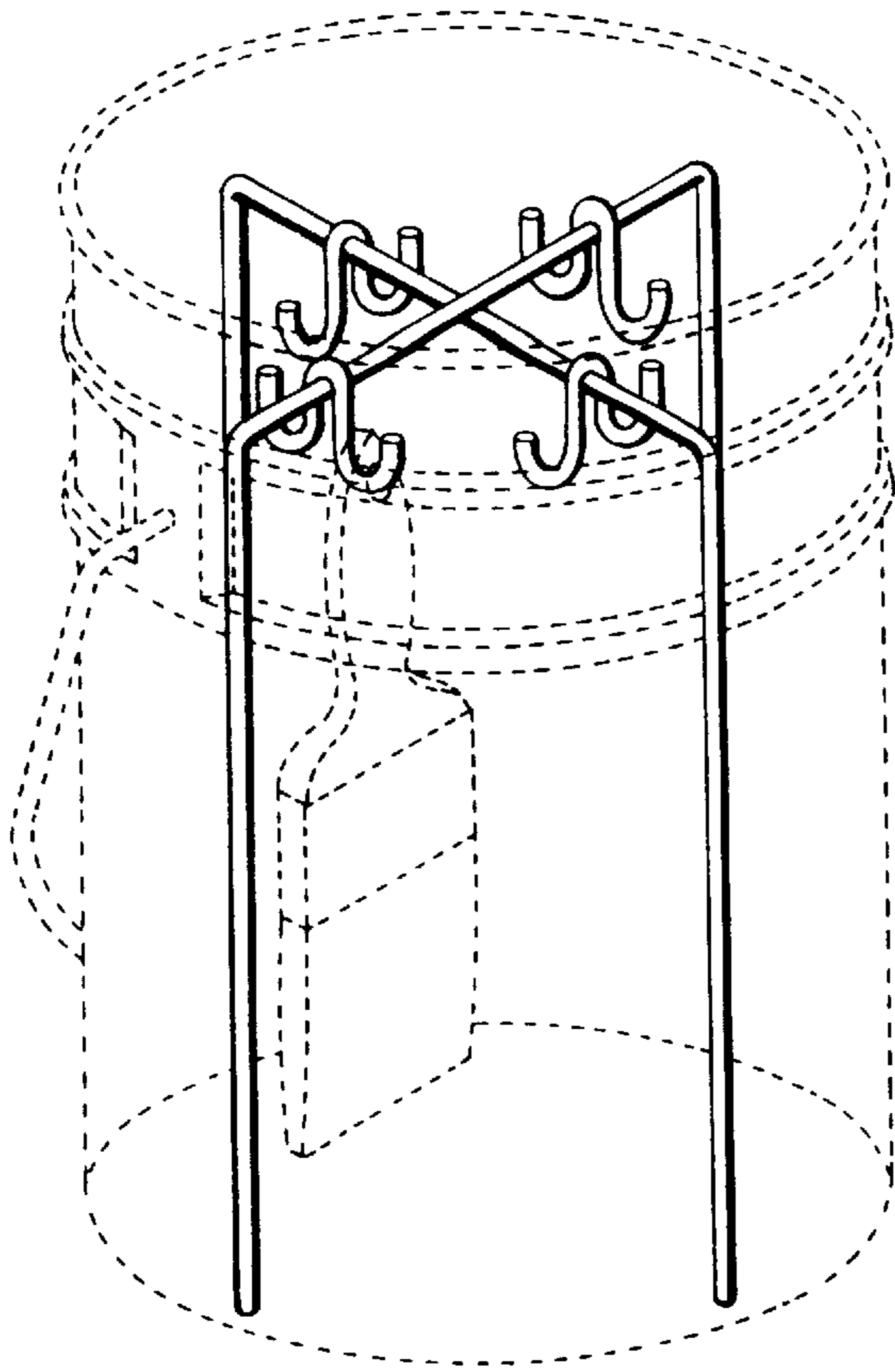


FIG. 1

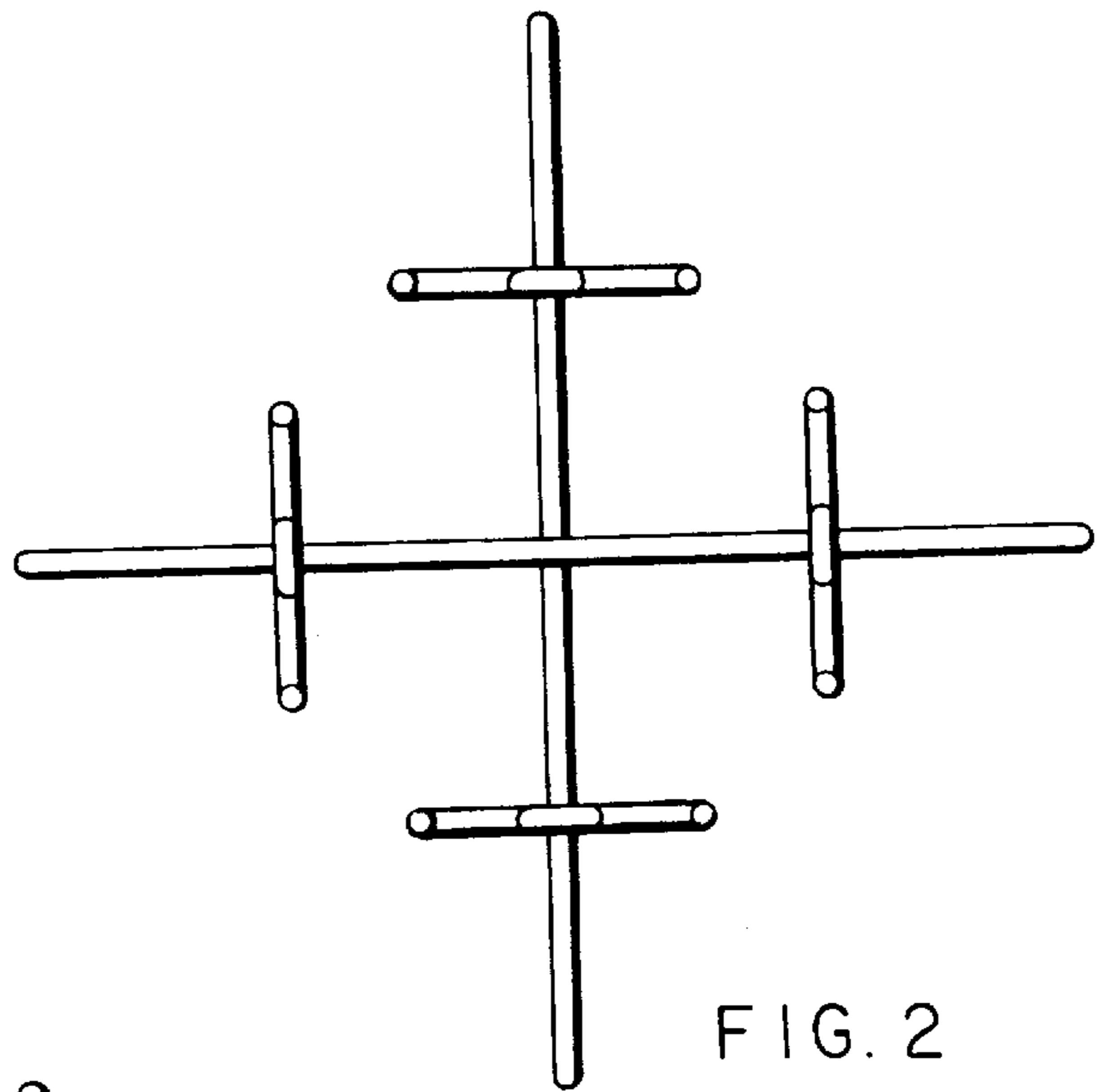


FIG. 2

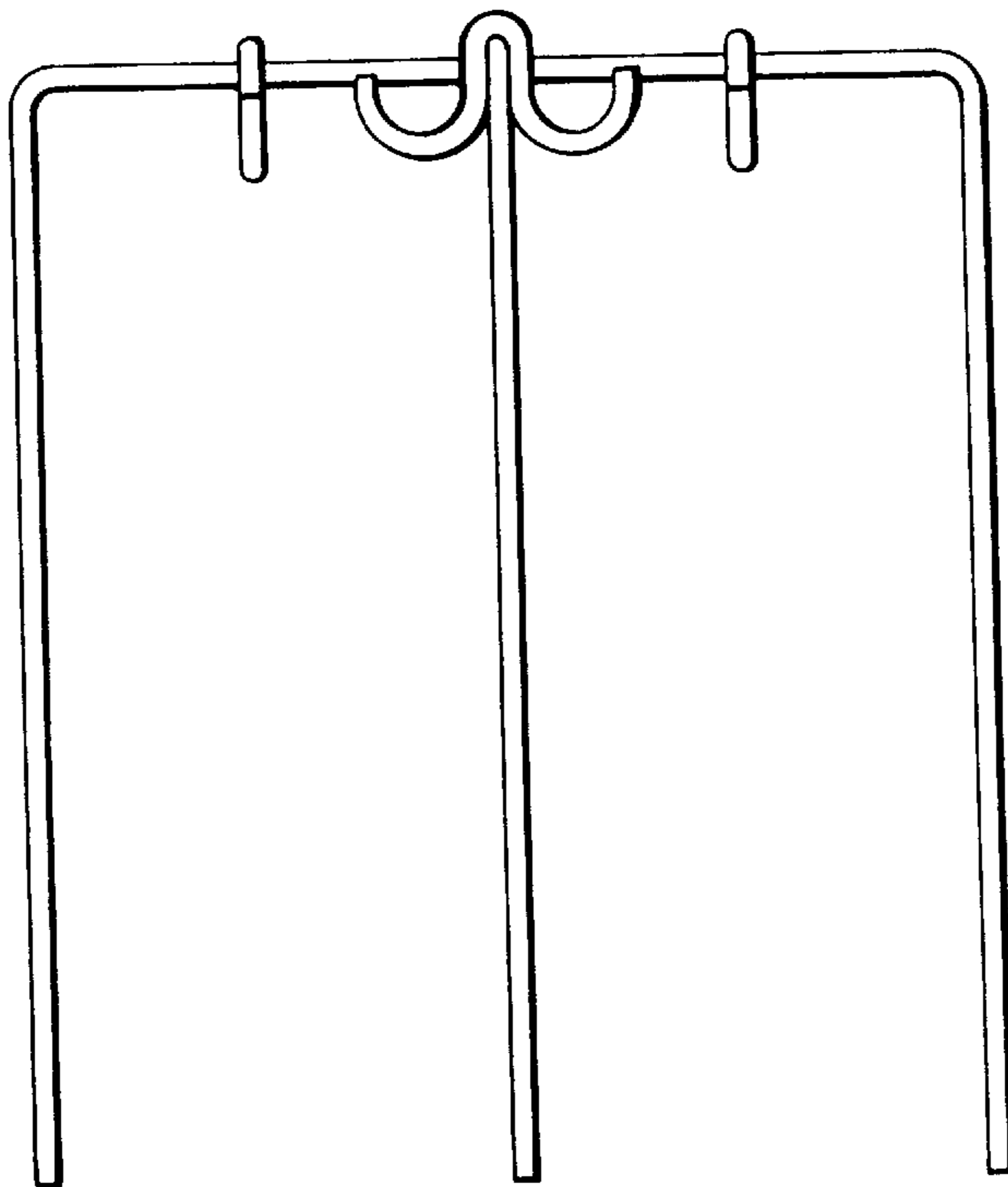


FIG. 3

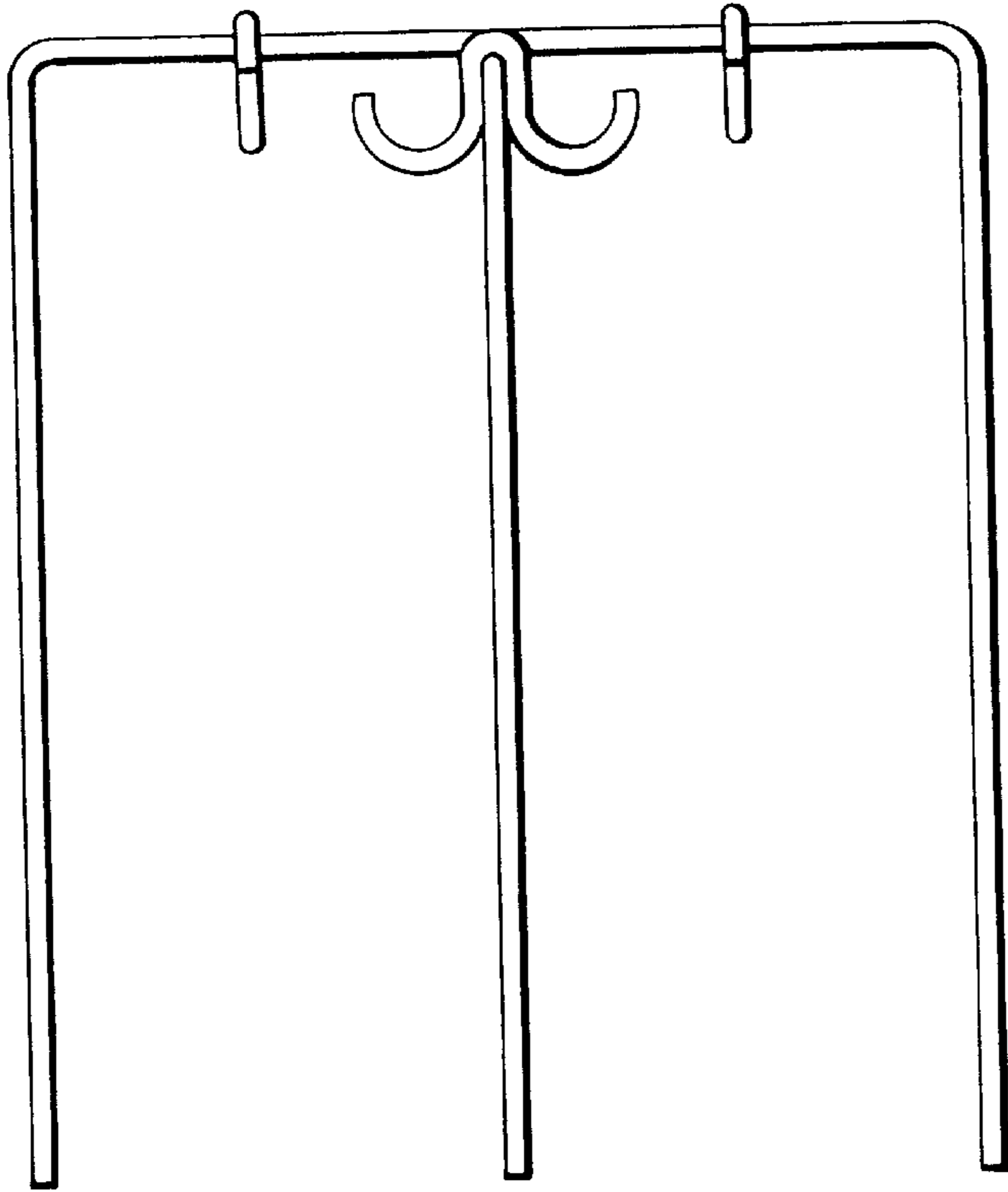


FIG. 4

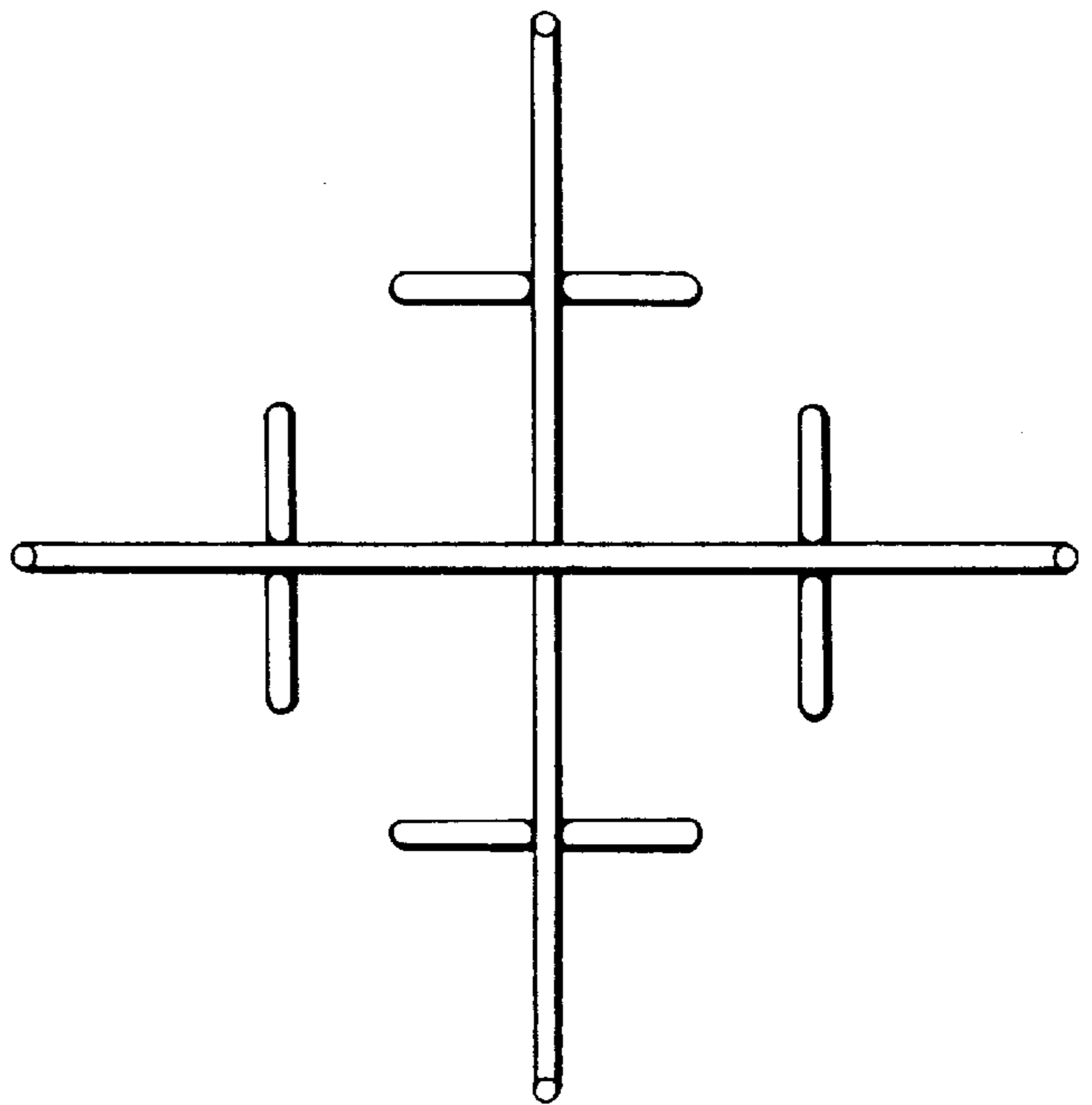


FIG. 5