



US00D431697S

# United States Patent [19]

Hayakawa et al.

[11] Patent Number: **Des. 431,697**

[45] Date of Patent: **\*\* Oct. 3, 2000**

[54] **PORTABLE ELECTRIC BLOWER**

[75] Inventors: **Naohiro Hayakawa**, Toyoake;  
**Hidenori Ito**, Chiryu, both of Japan

[73] Assignee: **Makita Corporation**, Japan

[\*\*] Term: **14 Years**

[21] Appl. No.: **29/110,133**

[22] Filed: **Aug. 30, 1999**

[30] **Foreign Application Priority Data**

Oct. 5, 1999 [JP] Japan ..... 11-5550

[51] **LOC (7) Cl.** ..... **15-05**

[52] **U.S. Cl.** ..... **D32/15**

[58] **Field of Search** ..... D32/15-18, 21,  
D32/25, 32, 34; D23/213; 15/344, 405

[56] **References Cited**

**U.S. PATENT DOCUMENTS**

D. 263,547	3/1982	Carsello	.....	D32/15
D. 286,927	11/1986	Aiyama	.....	D32/15
D. 307,655	5/1990	Hinklin et al.	.....	D32/15
D. 344,615	2/1994	Berfield et al.	.....	D32/15
D. 363,149	10/1995	Franke et al.	.....	D32/15
5,806,133	9/1998	Iida	.....	15/405

**FOREIGN PATENT DOCUMENTS**

978630 1/1997 Japan .

*Primary Examiner*—Louis S. Zarfes  
*Assistant Examiner*—Robert A. Delehanty  
*Attorney, Agent, or Firm*—Foley Hoag & Eliot LLP; W. Hugo Liepmann

[57] **CLAIM**

The ornamental design for a portable electric blower, as shown and described.

**DESCRIPTION**

FIG. 1 is a perspective view of a portable electric blower showing my new design;  
 FIG. 2 is a front elevational view thereof;  
 FIG. 3 is a rear side elevational view thereof;  
 FIG. 4 is a left side elevational view thereof;  
 FIG. 5 is a right side elevational view thereof;  
 FIG. 6 is a top plan view thereof;  
 FIG. 7 is a bottom plan view thereof;  
 FIG. 8 is a perspective view of a portable electric blower shown on a reduced scale in condition of use with an attachment; and,  
 FIG. 9 is a perspective view of a portable electric blower shown on a reduced scale in condition of use with attachments.

The broken line showing of attachments to the portable electric blower is for illustrative purposes only and forms no part of the claimed design.

**1 Claim, 9 Drawing Sheets**

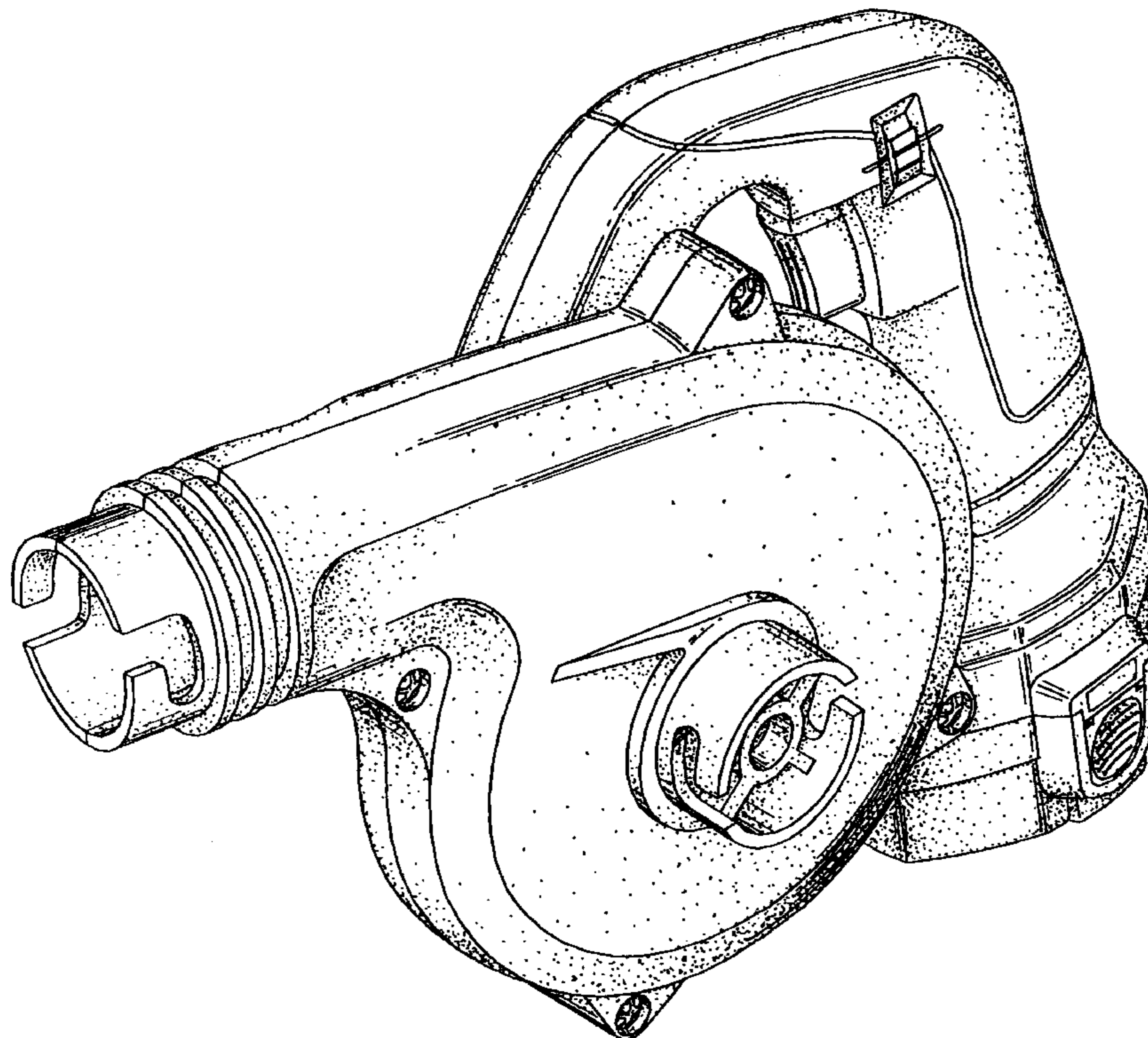


FIG. 1

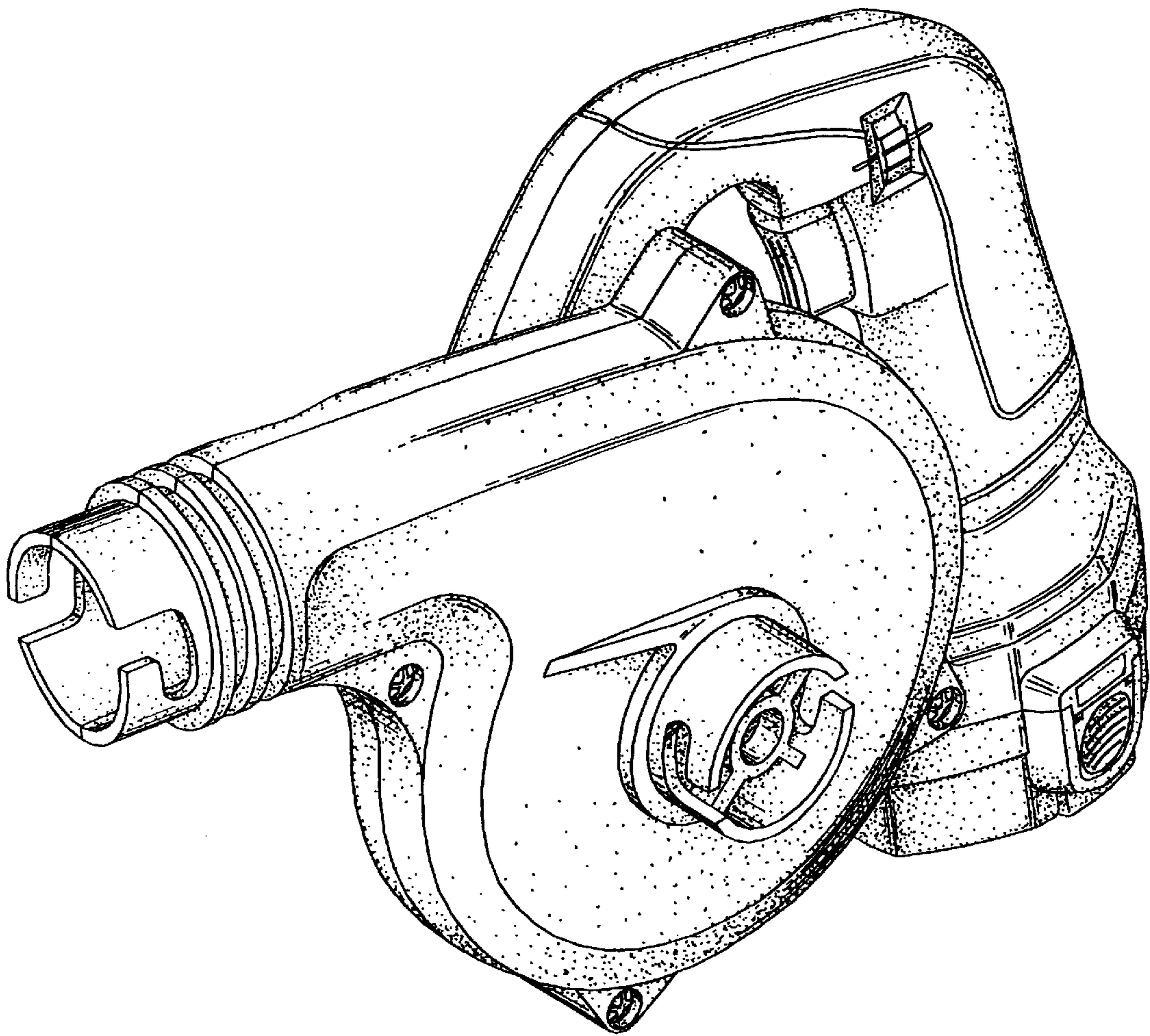


FIG. 2

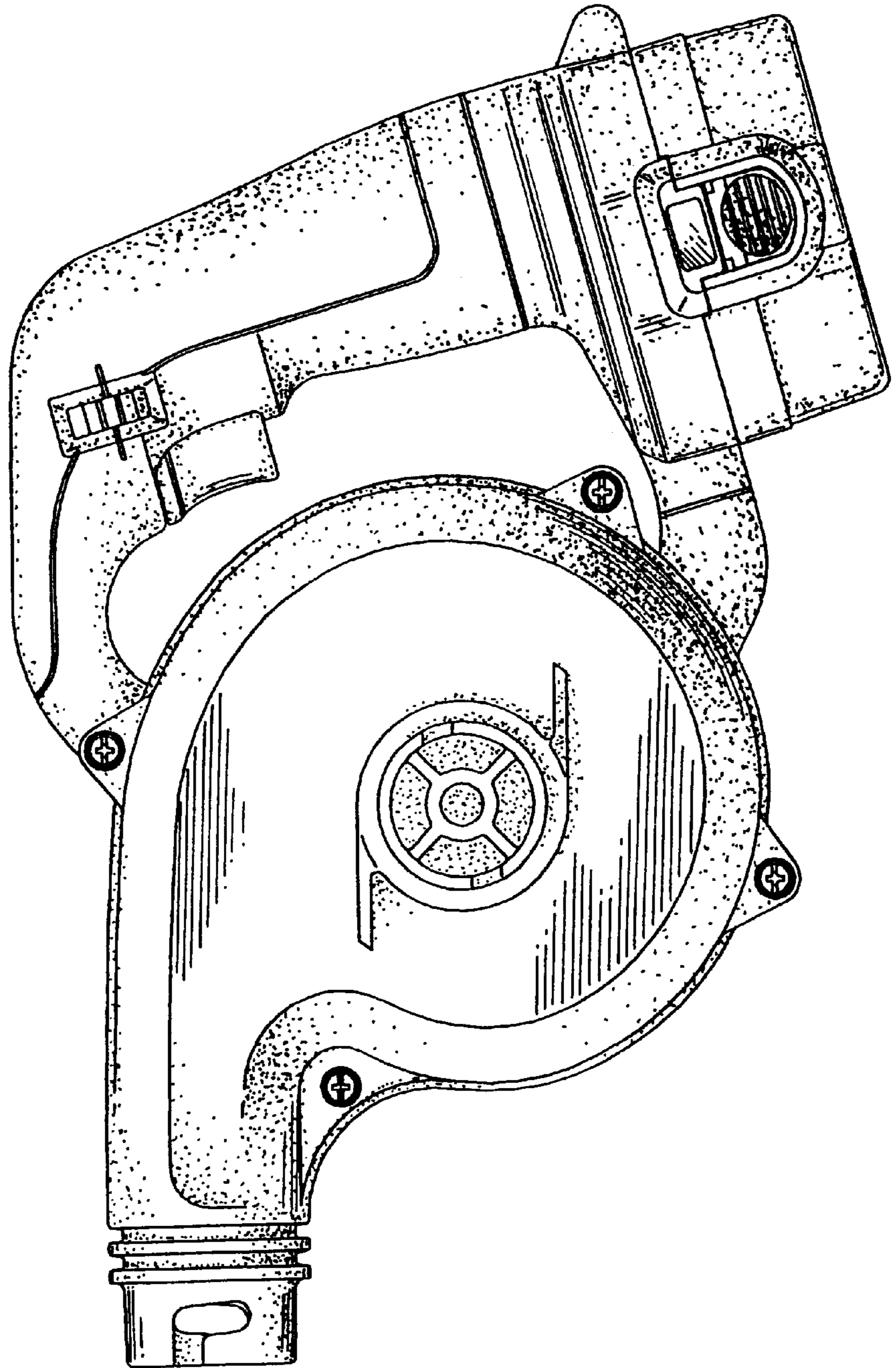


FIG. 3

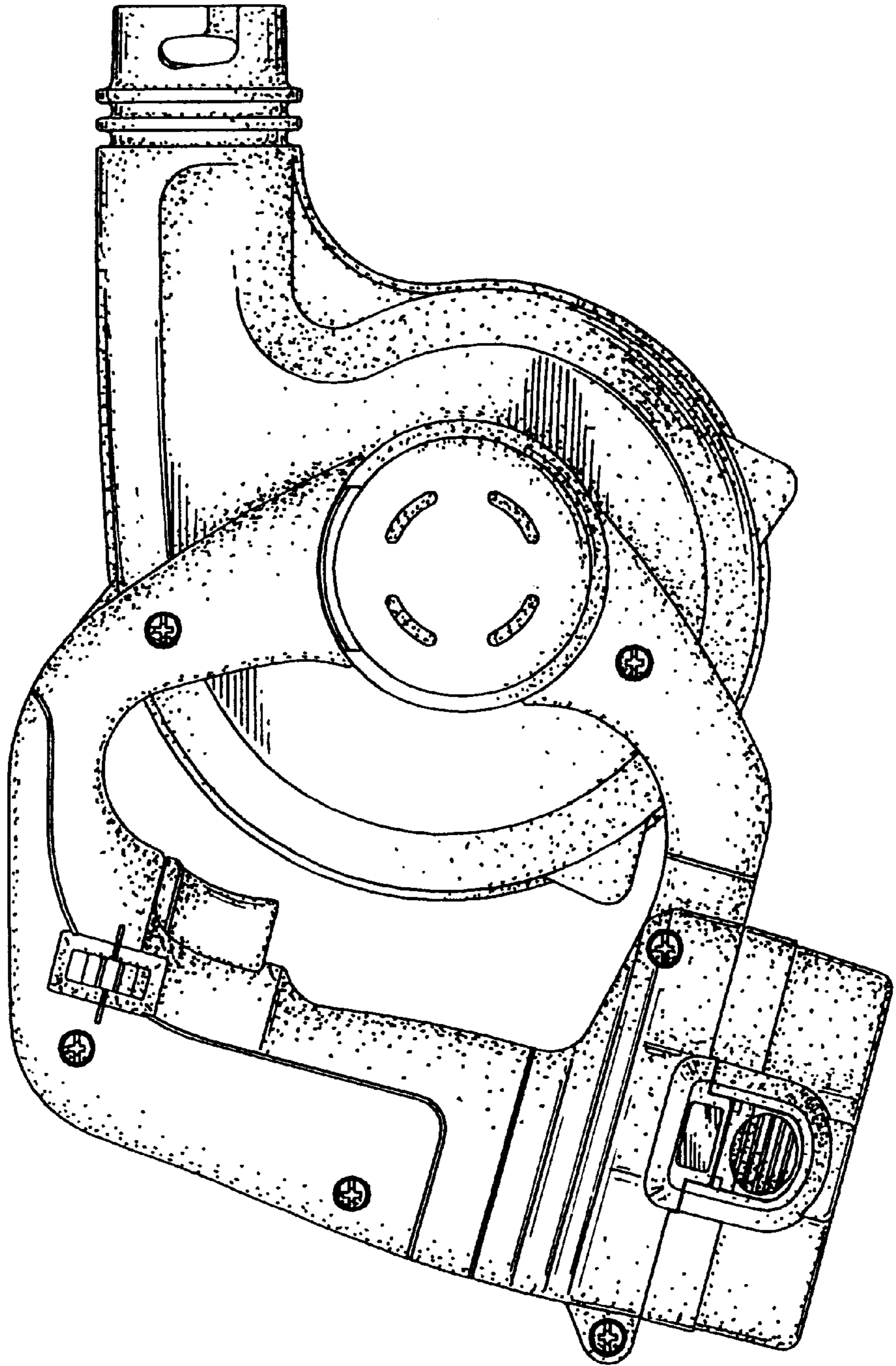


FIG. 4

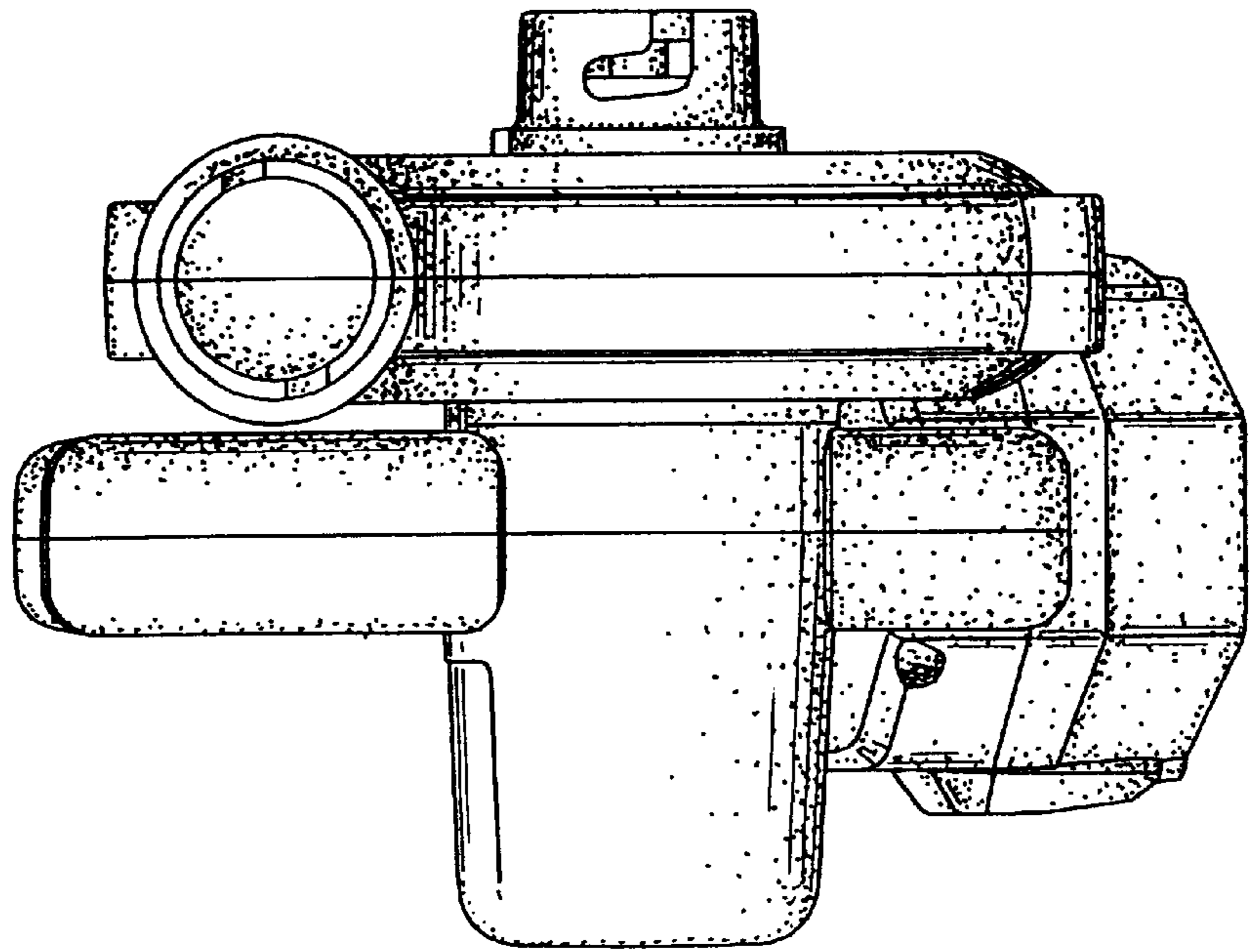


FIG. 5

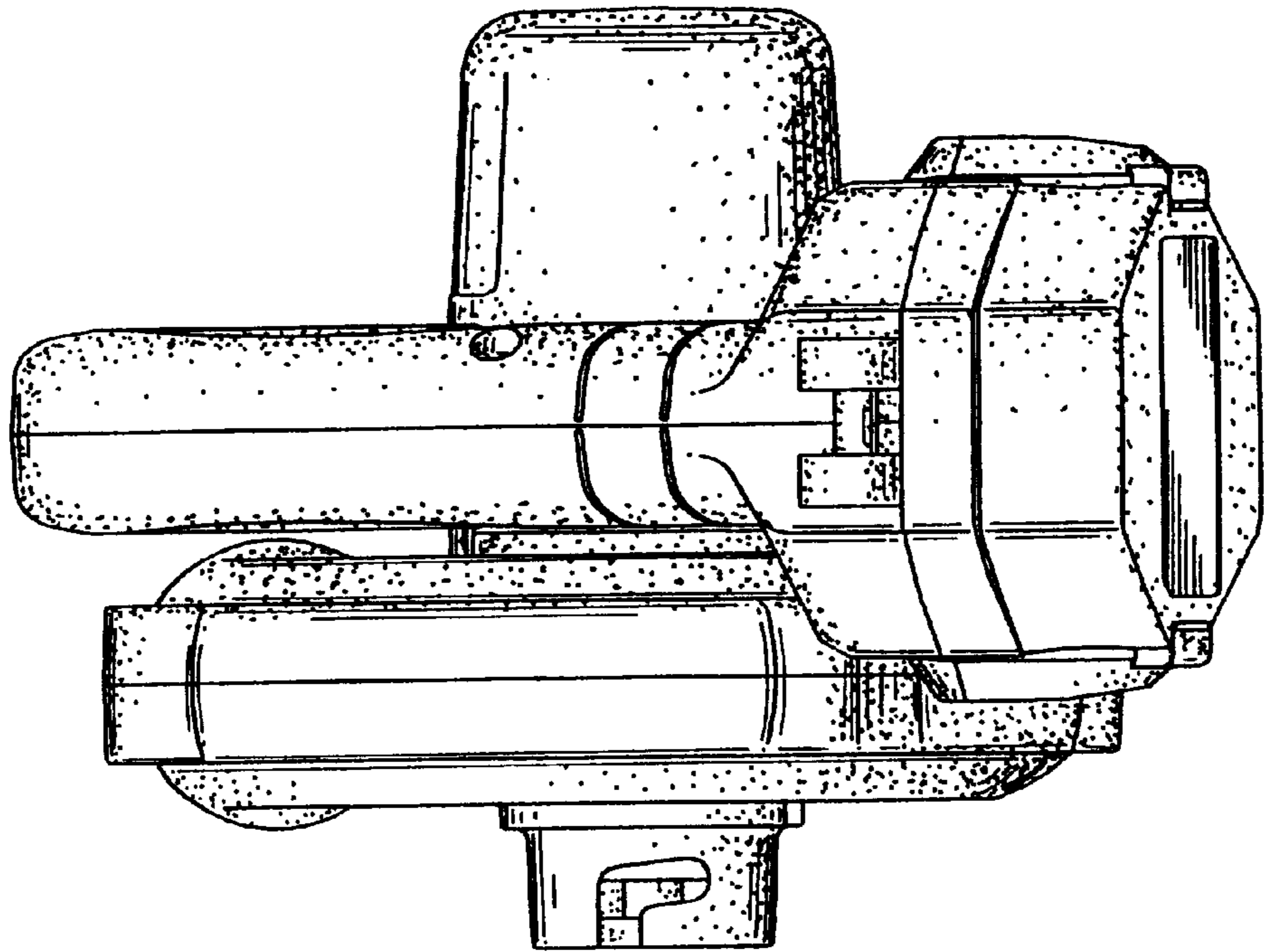


FIG. 6

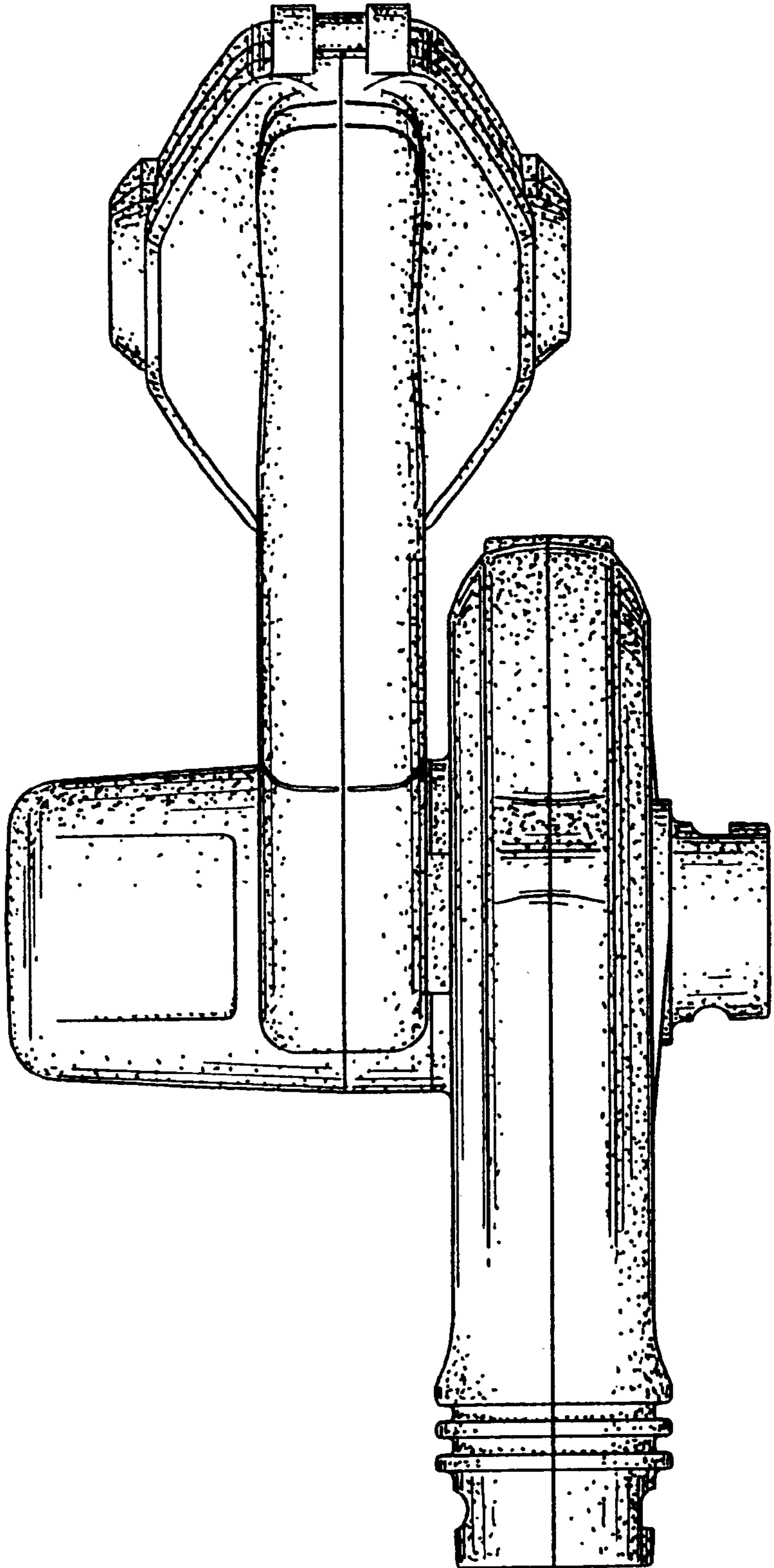


FIG. 7

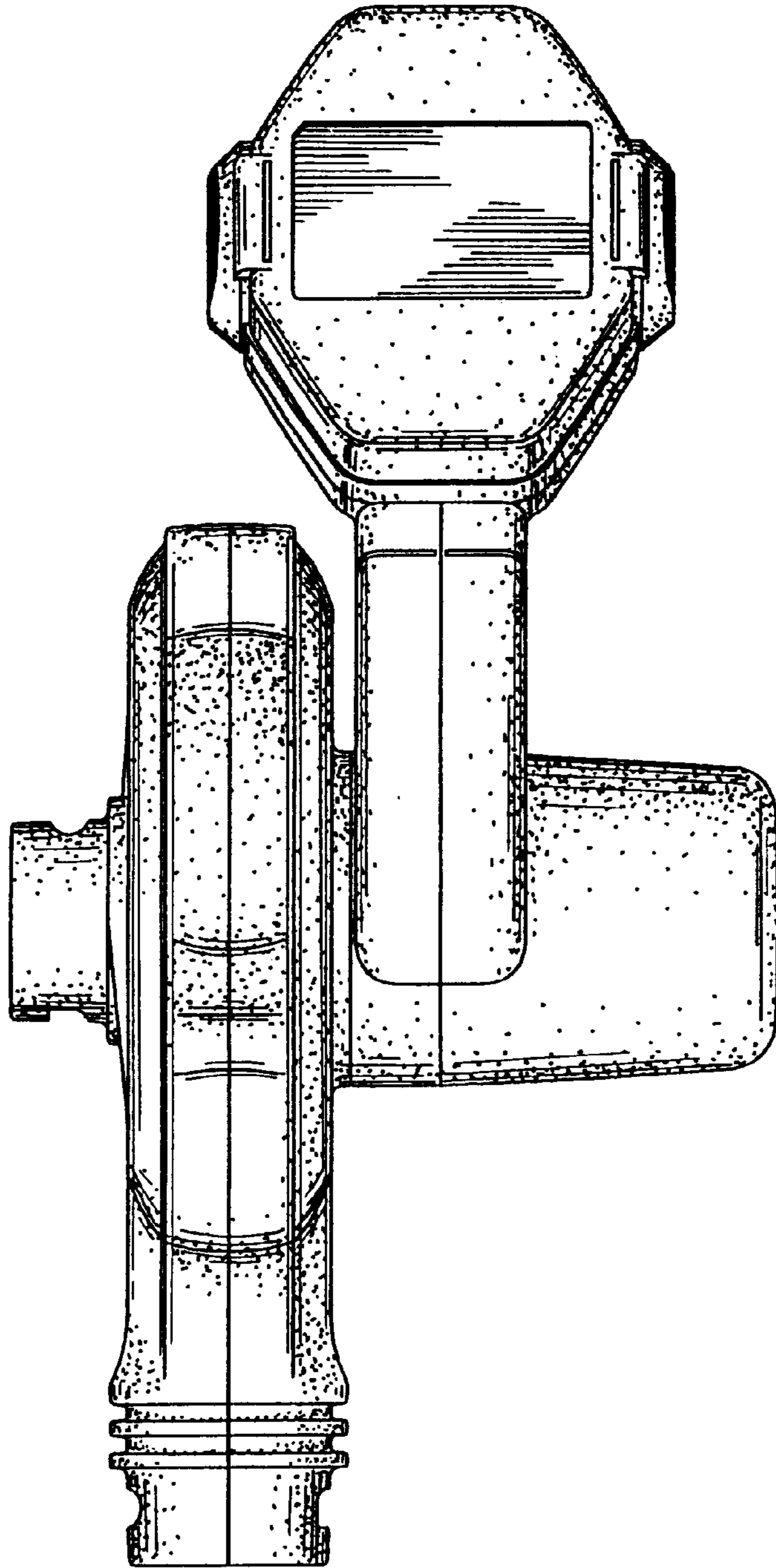
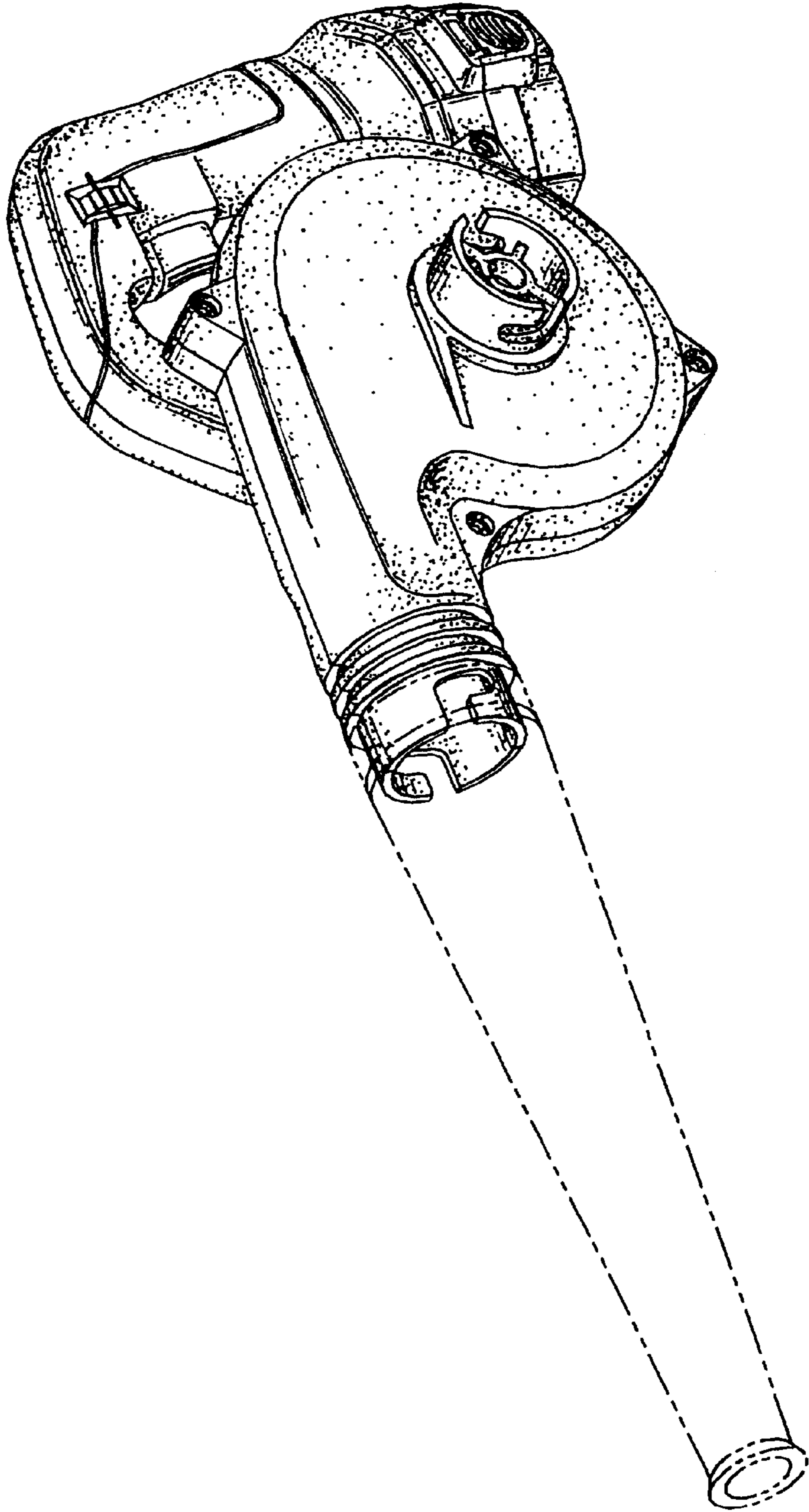




FIG. 8



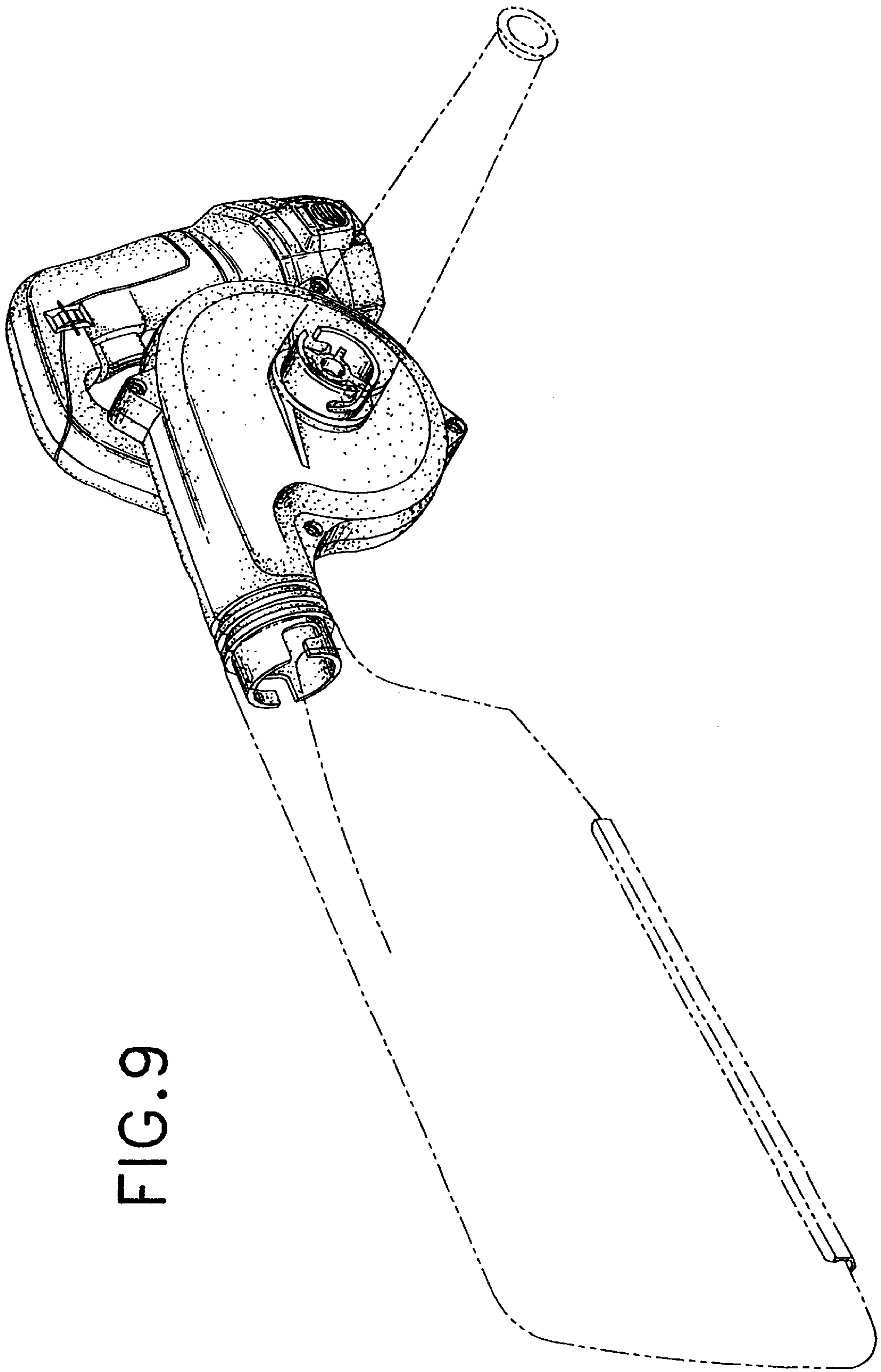


FIG. 9