



US00D431664S

**United States Patent** [19]  
**Hsieh**

[11] **Patent Number: Des. 431,664**

[45] **Date of Patent: \*\* Oct. 3, 2000**

[54] **HANGING LIGHTING FIXTURE**

[75] Inventor: **Freda Hsieh**, Taichung, Taiwan

[73] Assignee: **Whole Bright Industries Ltd.**, Chai Wan, The Hong Kong Special Administrative Region of the People's Republic of China

[\*\*] Term: **14 Years**

[21] Appl. No.: **29/114,988**

[22] Filed: **Dec. 7, 1999**

[51] **LOC (7) Cl.** ..... **26-05**

[52] **U.S. Cl.** ..... **D26/82**

[58] **Field of Search** ..... D26/72, 80-92;  
362/147, 404-408, 806

[56] **References Cited**

**U.S. PATENT DOCUMENTS**

D. 383,432 9/1997 Octavio ..... D26/84

**OTHER PUBLICATIONS**

Corbett lighting catalog, 1992, p. 7, hanging lamp #5744.  
Dolan Designs lighting catalog, 1995, p. 35. chandelier #160-14.

*Primary Examiner*—Susan J. Lucas  
*Attorney, Agent, or Firm*—Rosenberg, Klein & Lee

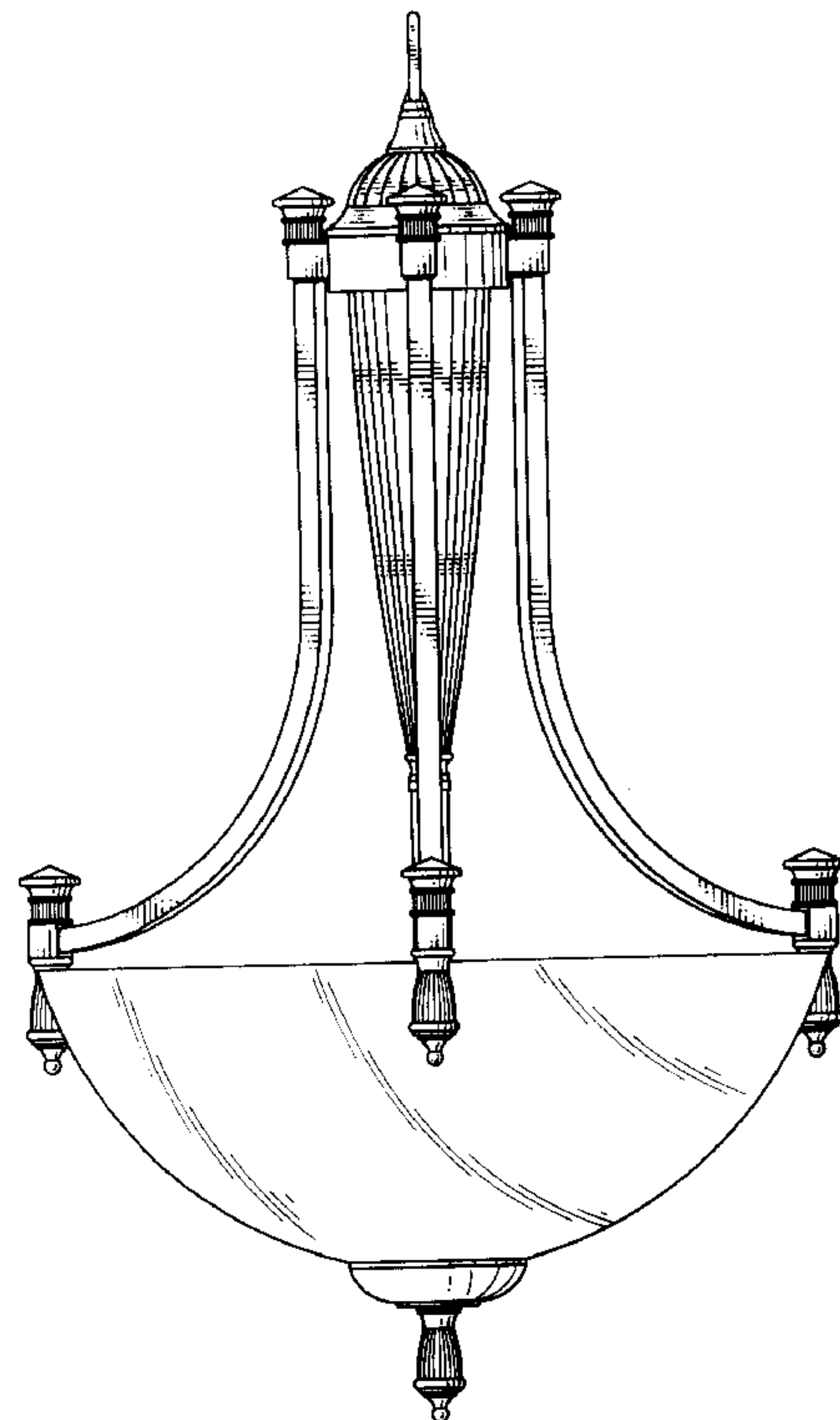
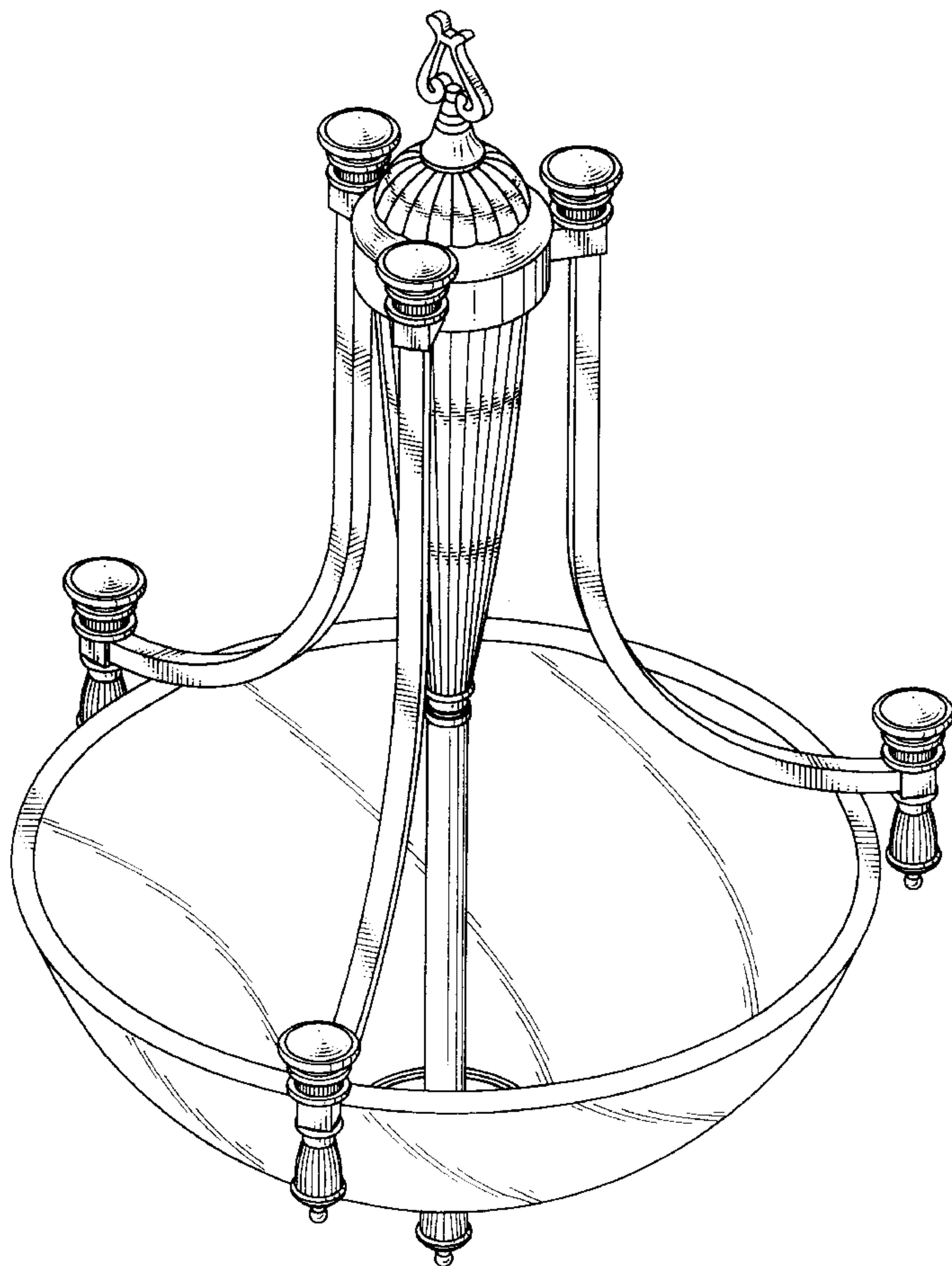
[57] **CLAIM**

The ornamental design for a hanging lighting fixture, as shown and described.

**DESCRIPTION**

FIG. 1 is a perspective view of a hanging lighting fixture showing my new design;  
FIG. 2 is a front elevation view thereof;  
FIG. 3 is a rear elevation view thereof;  
FIG. 4 is a left side elevation view thereof;  
FIG. 5 is a right side elevation view thereof;  
FIG. 6 is a top plan view thereof; and,  
FIG. 7 is a bottom plan view thereof.

**1 Claim, 4 Drawing Sheets**



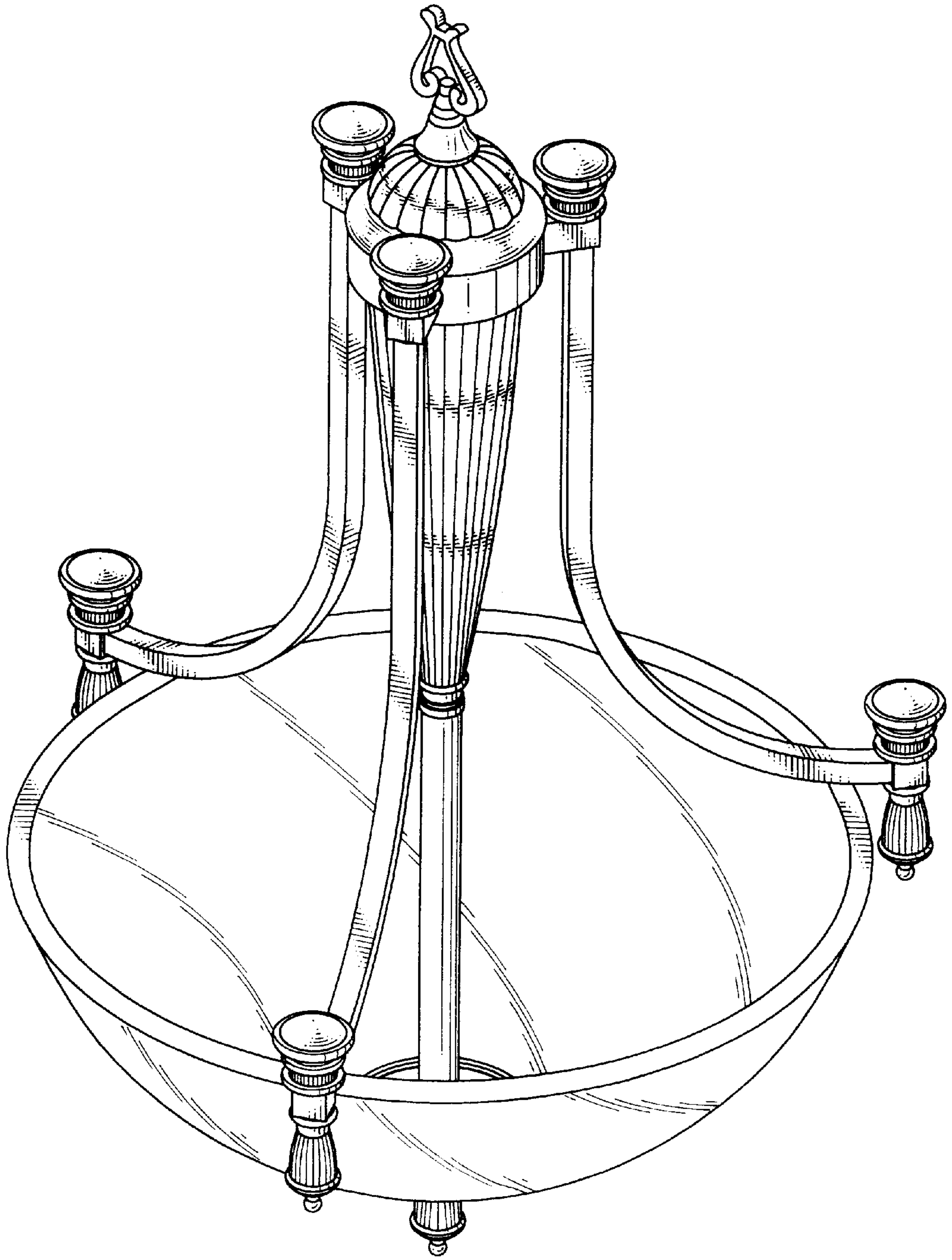


FIG. 1

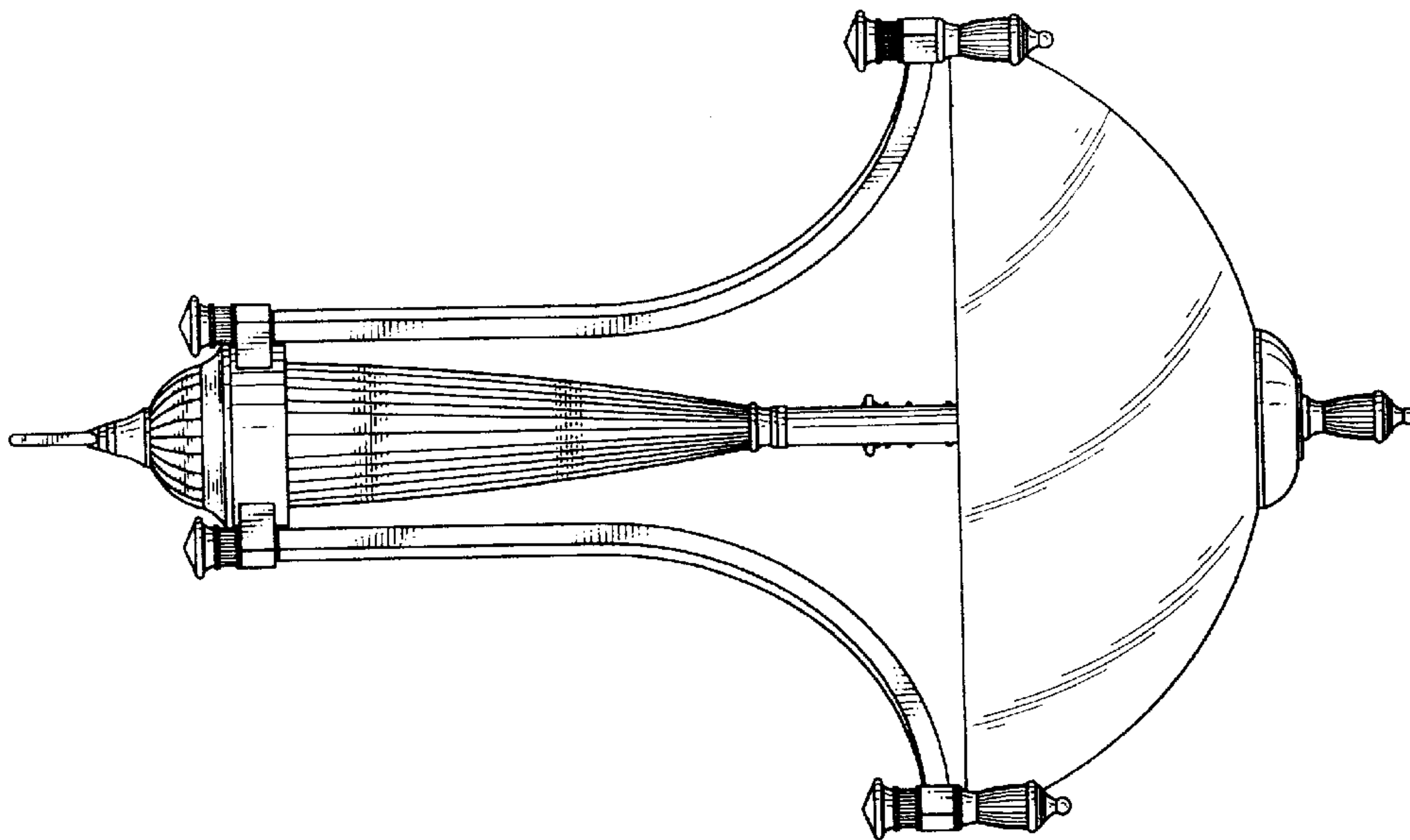


FIG. 3

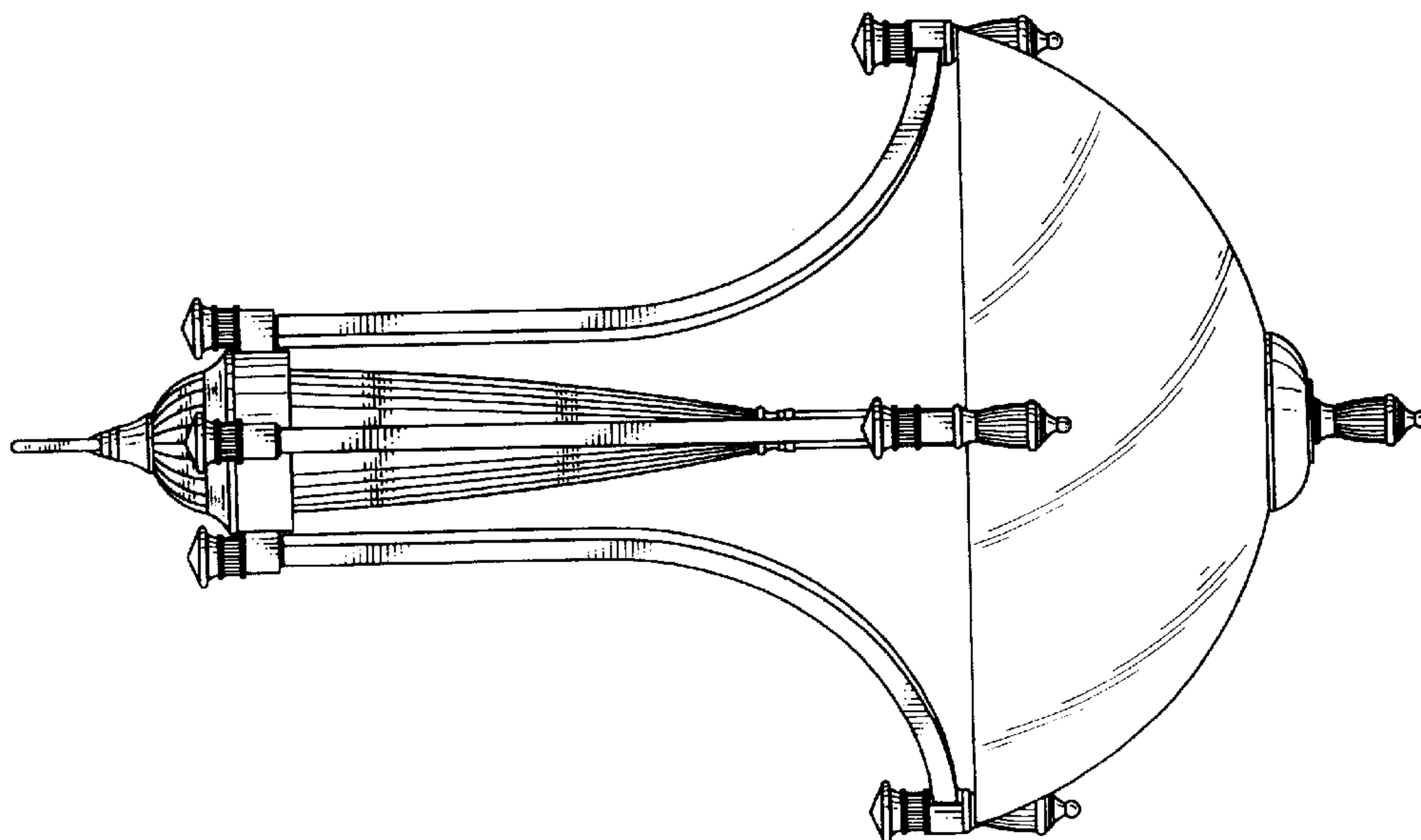


FIG. 2

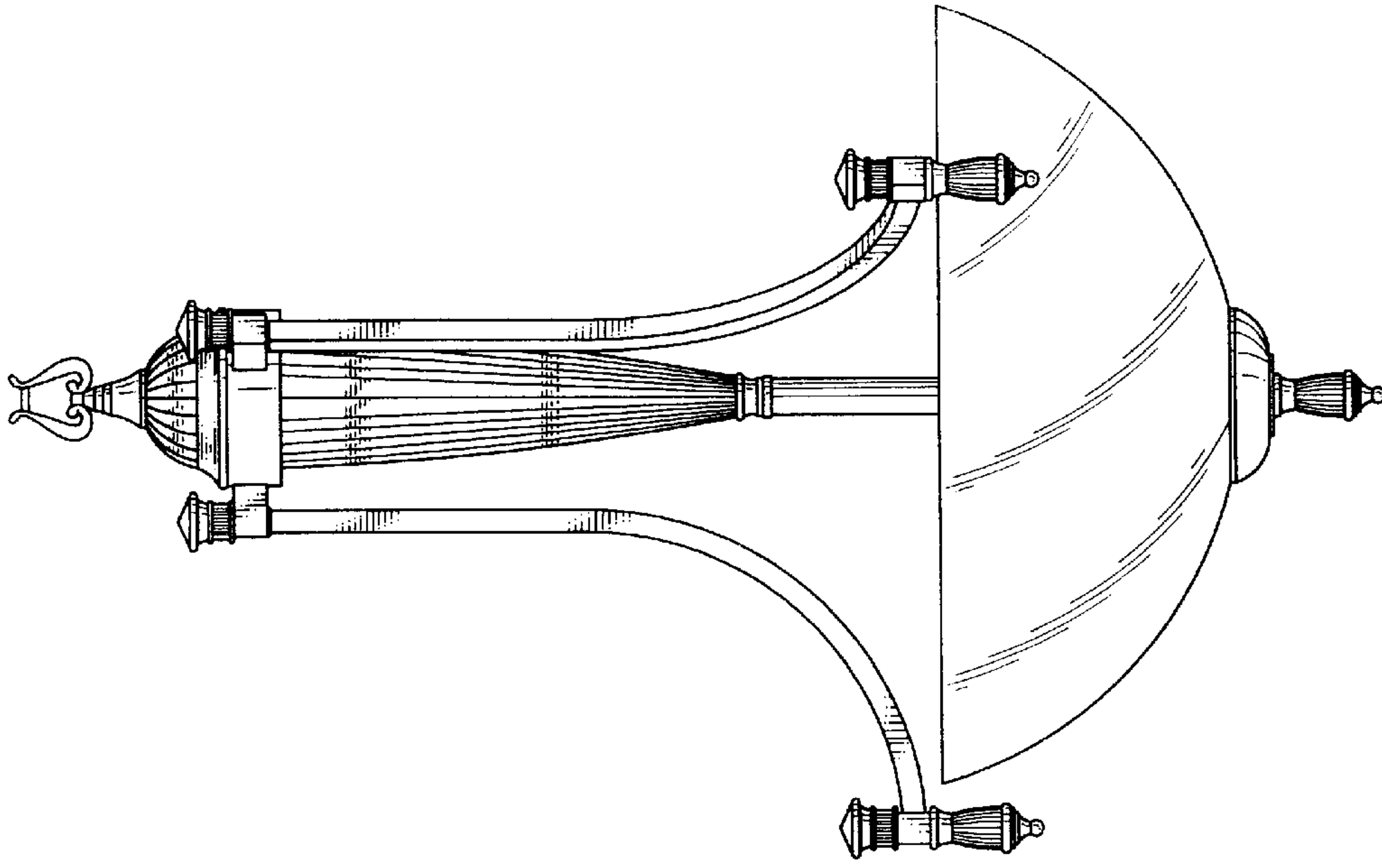


FIG. 5

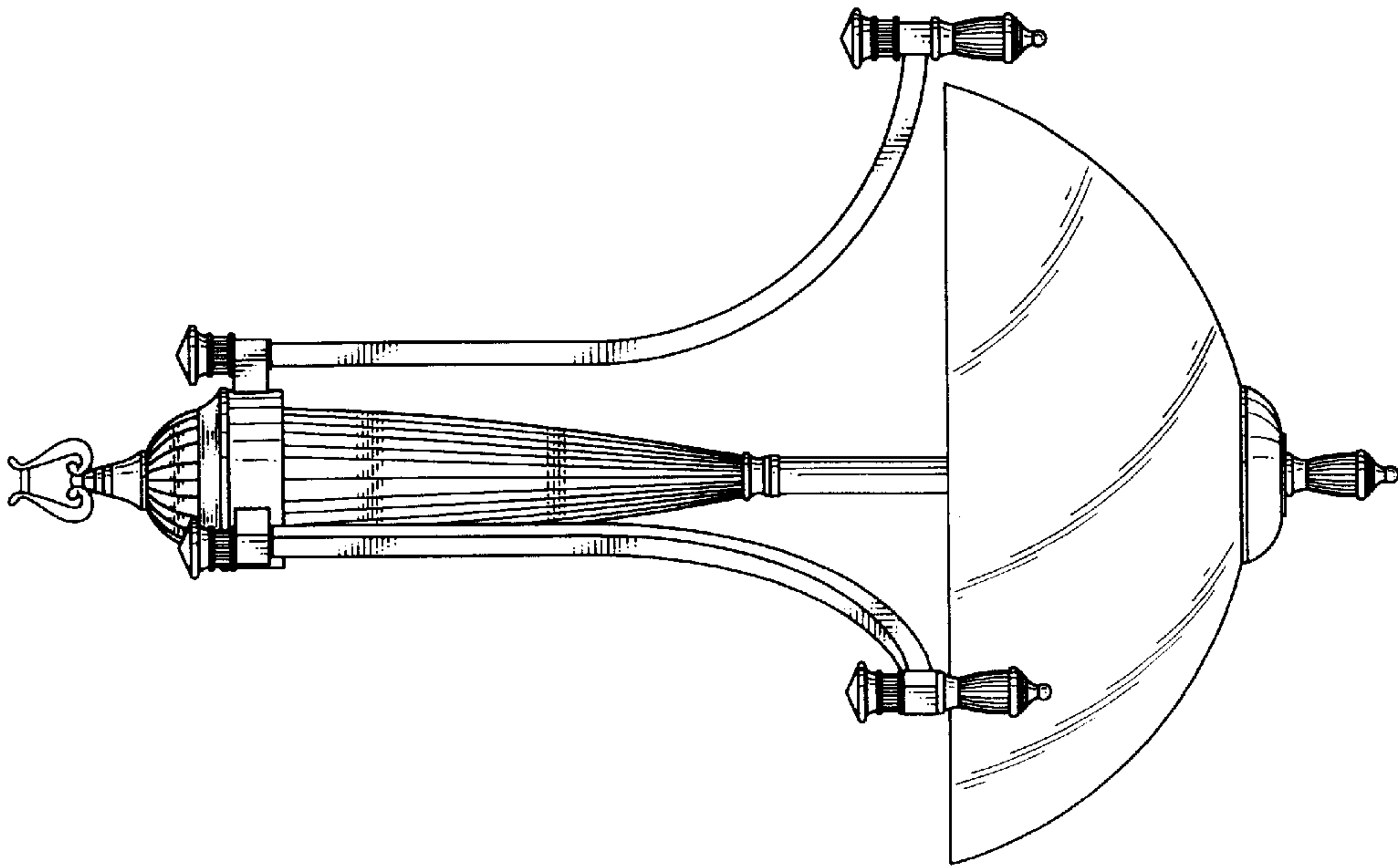


FIG. 4



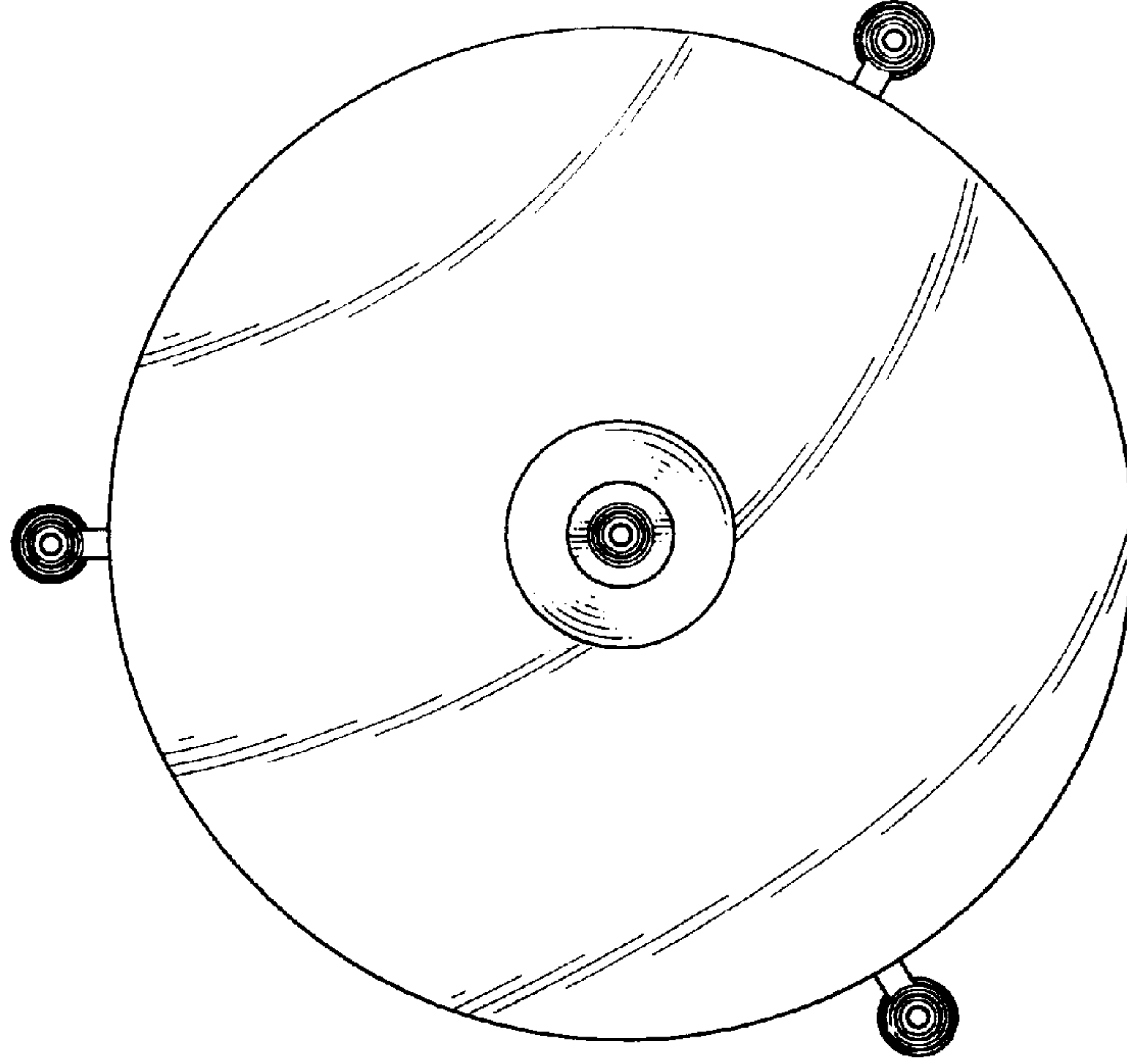


FIG. 7

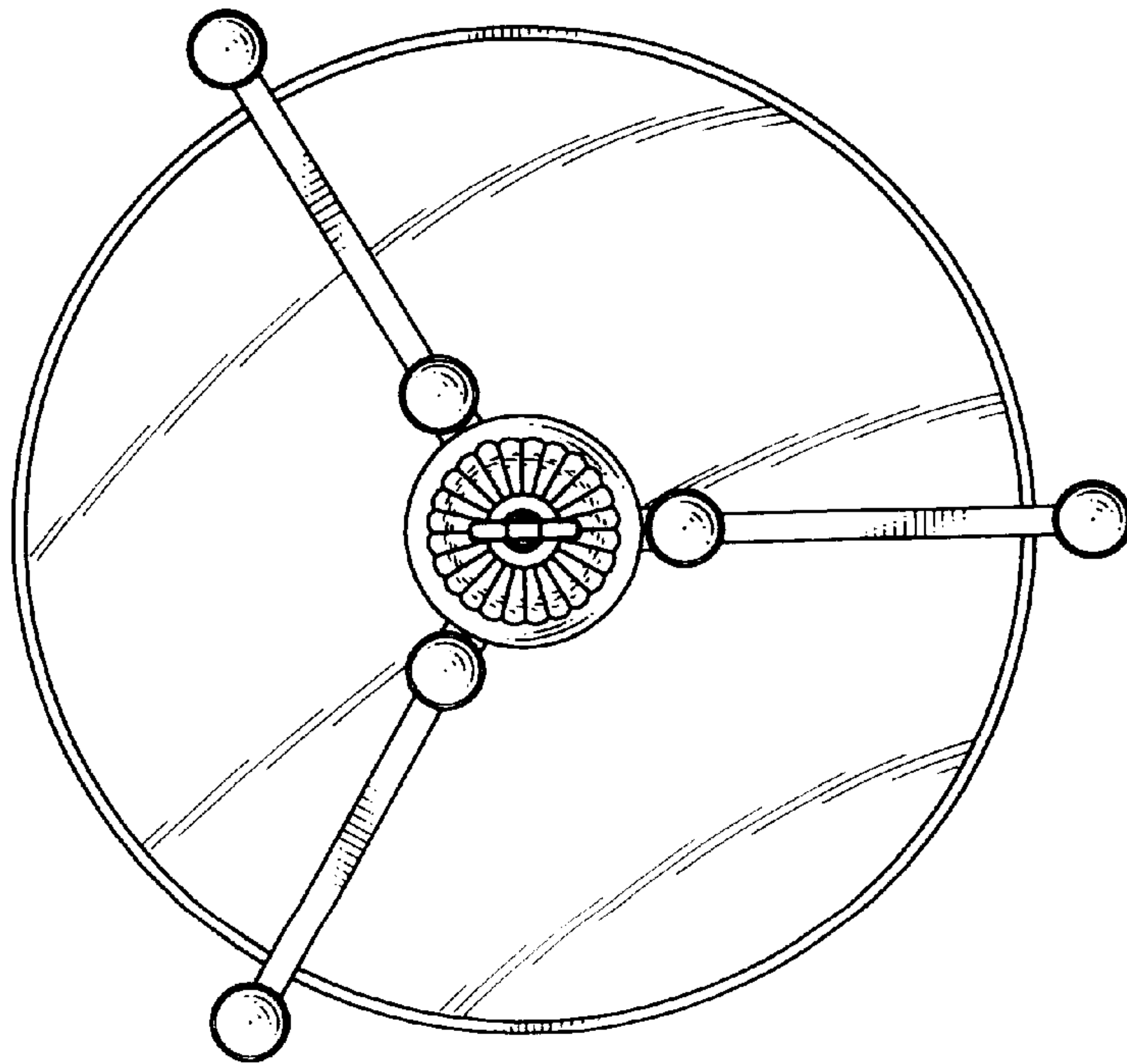


FIG. 6