



US00D431663S

United States Patent [19] Kung

[11] **Patent Number: Des. 431,663**

[45] **Date of Patent: ** Oct. 3, 2000**

[54] **CAMPING LAMP**

2,533,910 12/1950 Barr D26/40

[75] Inventor: **Kenneth Kung**, Stanley, The Hong Kong Special Administrative Region of the People's Republic of China

Primary Examiner—Marcus A. Jackson
Attorney, Agent, or Firm—Ladas & Parry

[73] Assignee: **Tung Fat Industries Ltd.**, Kowloon, The Hong Kong Special Administrative Region of the People's Republic of China

[57] **CLAIM**

The ornamental design for a camping lamp, as shown and described.

[**] Term: **14 Years**

DESCRIPTION

[21] Appl. No.: **29/116,534**

FIG. 1 is a perspective view showing my new design;
FIG. 2 is a top elevational view showing my new design;
FIG. 3 is a bottom elevational view showing my new design;
FIG. 4 is a right side elevational view showing my new design;
FIG. 5 is a left side elevational view showing my new design;
FIG. 6 is a front elevational view showing my new design;
FIG. 7 is a rear elevational view showing my new design;
and,
FIG. 8 is a perspective view showing my new design in a standing position.

[22] Filed: **Jan. 4, 2000**

[51] **LOC (7) Cl.** **26-02**

[52] **U.S. Cl.** **D26/49**

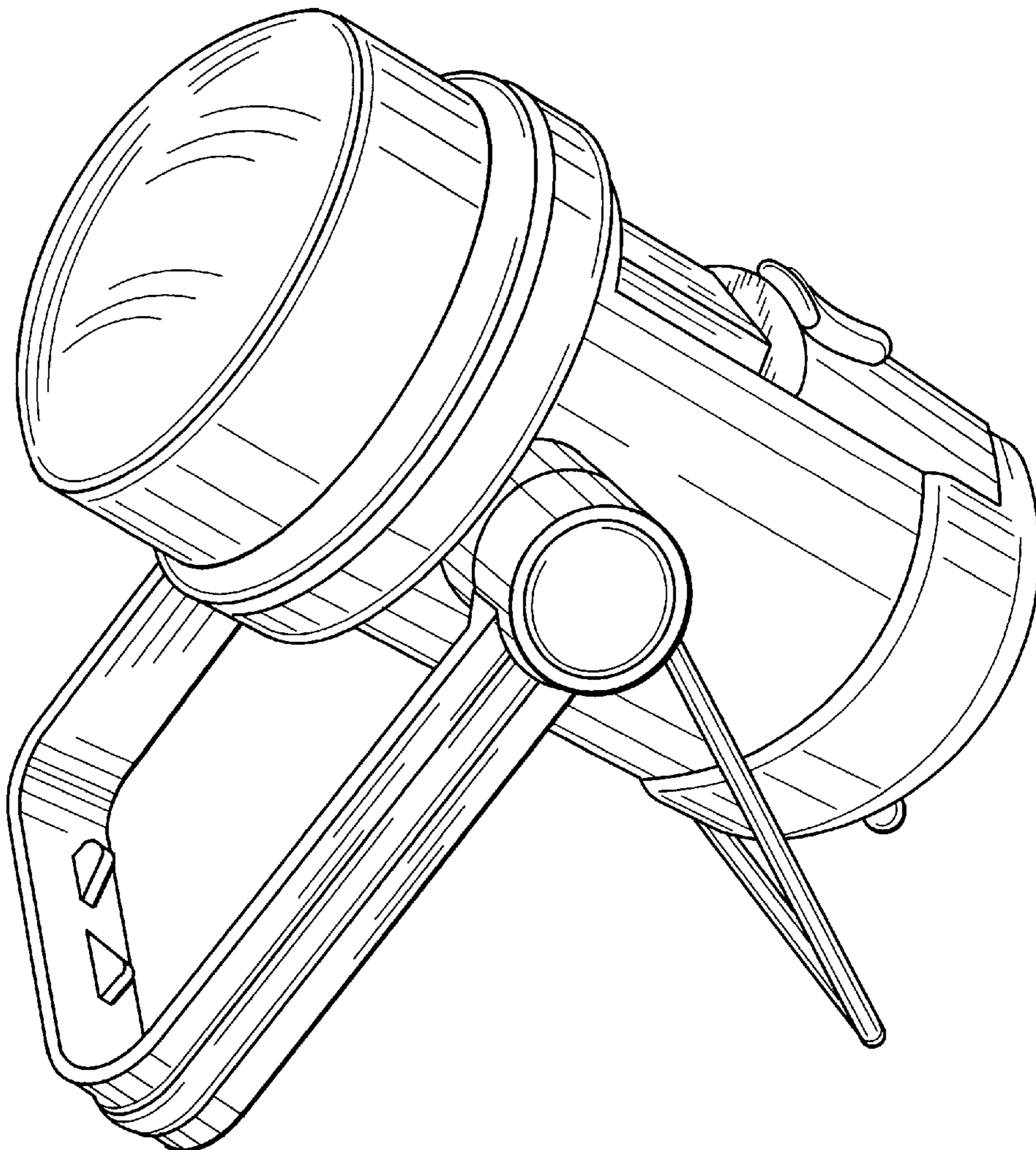
[58] **Field of Search** D26/37-50; 362/157, 362/158, 183-208

[56] **References Cited**

U.S. PATENT DOCUMENTS

D. 317,057 5/1991 Argandona D26/40

1 Claim, 5 Drawing Sheets



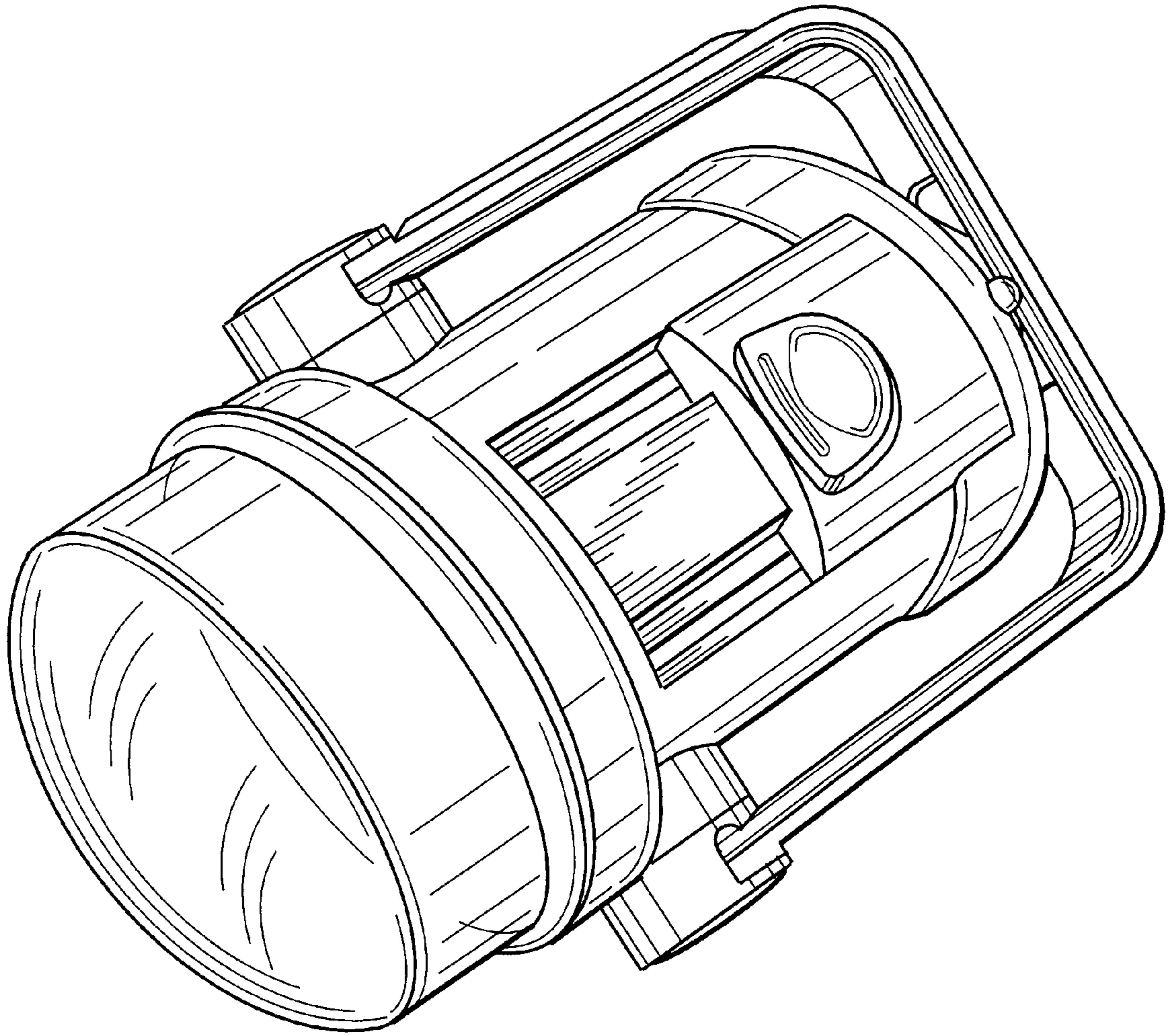


FIG. 1

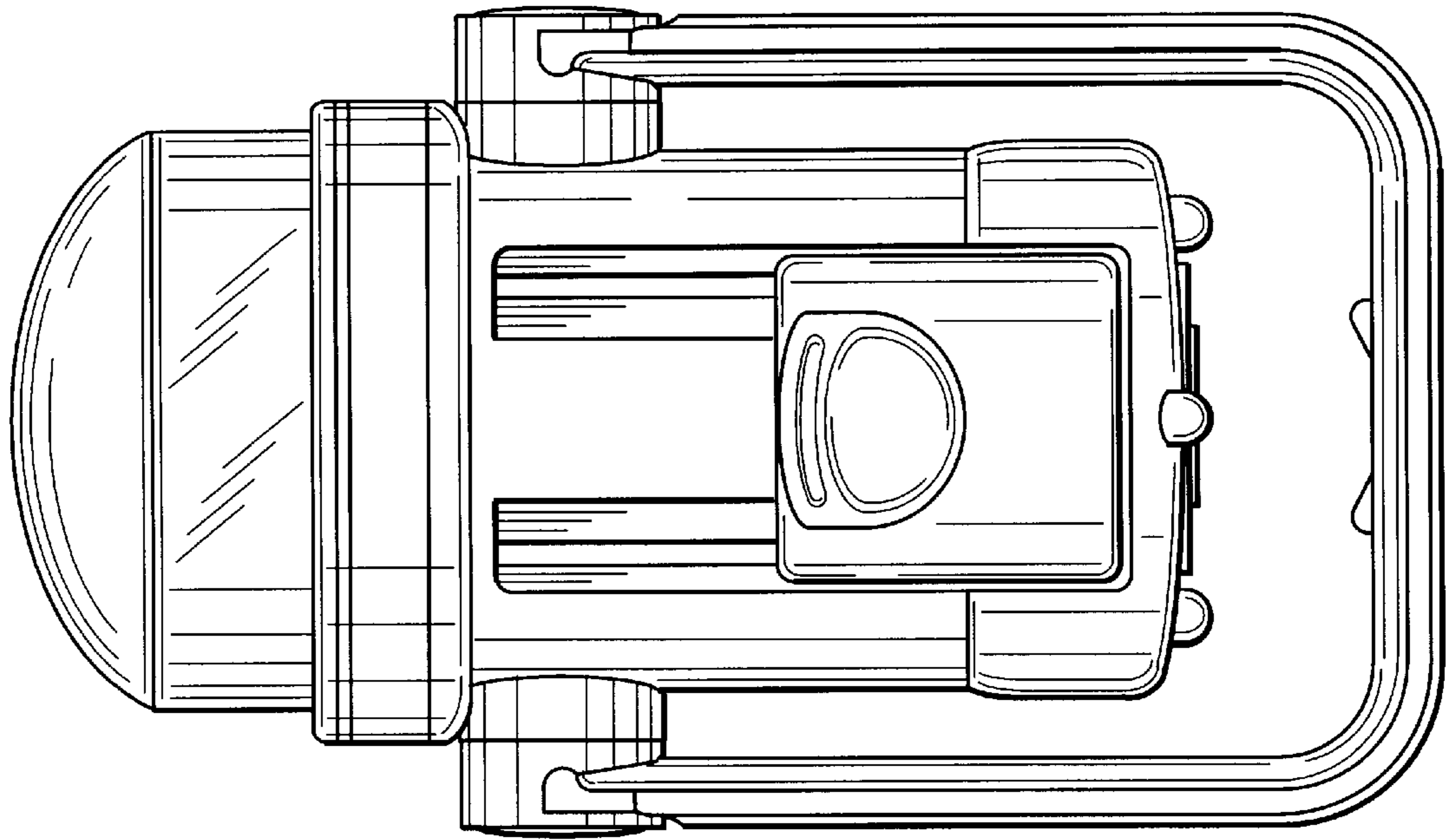


FIG. 2

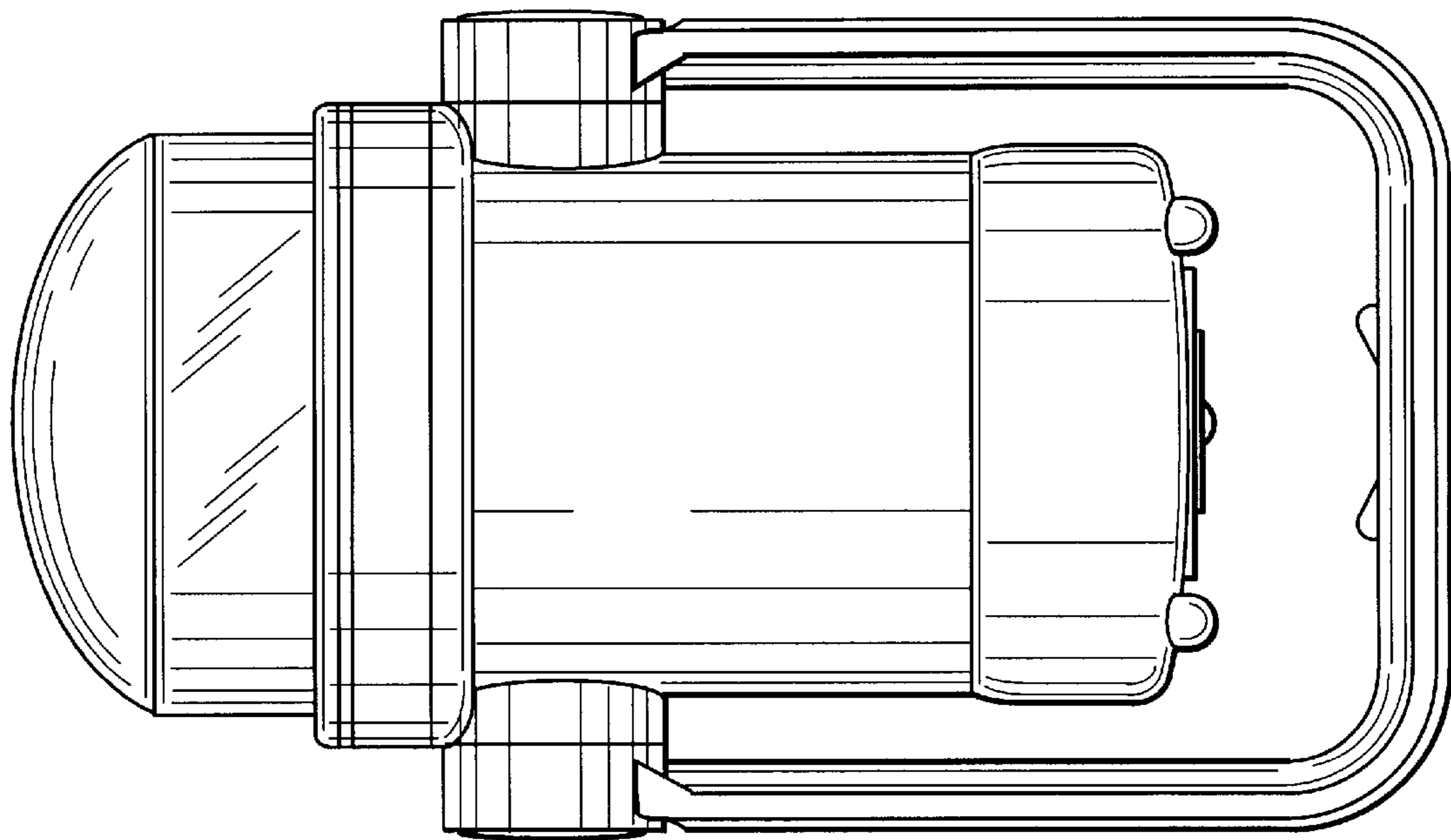


FIG. 3

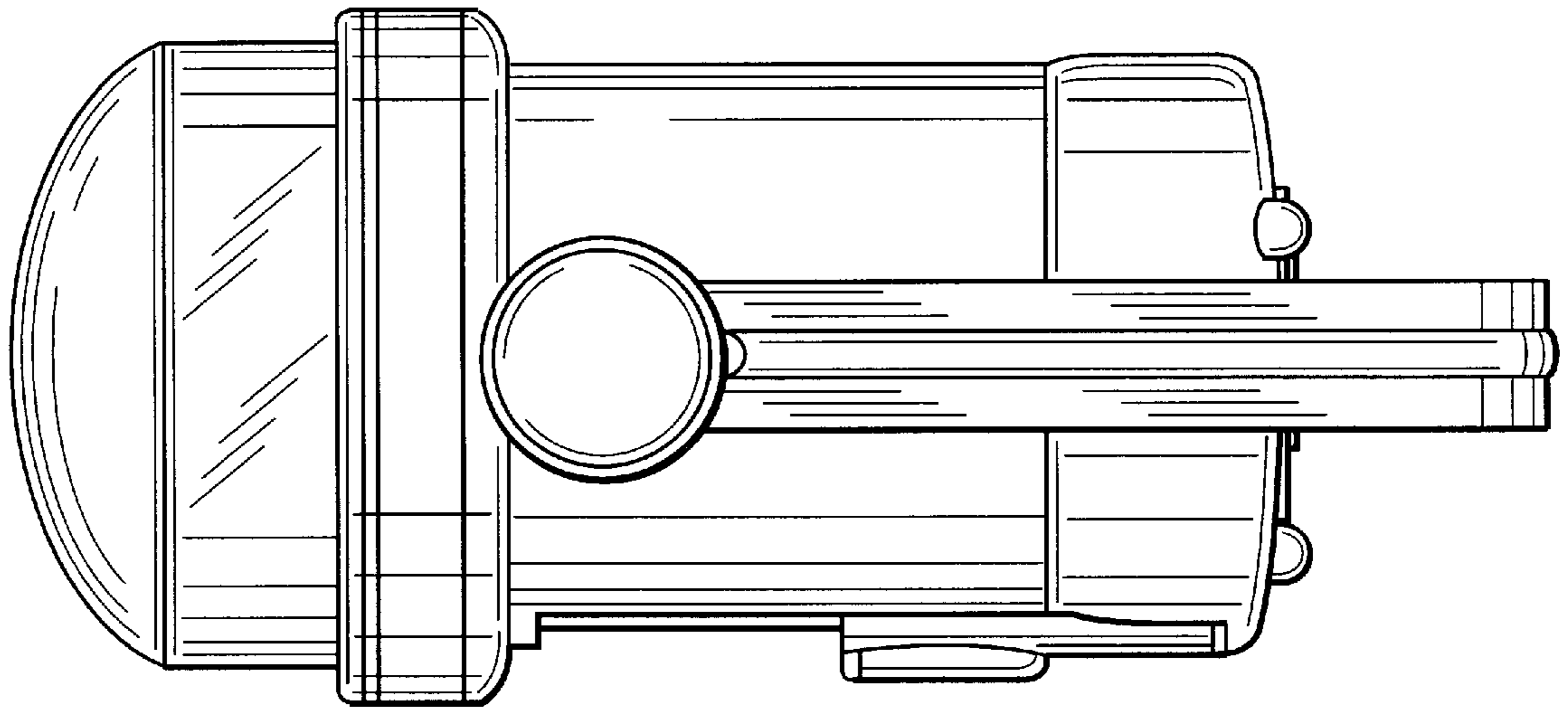


FIG. 4

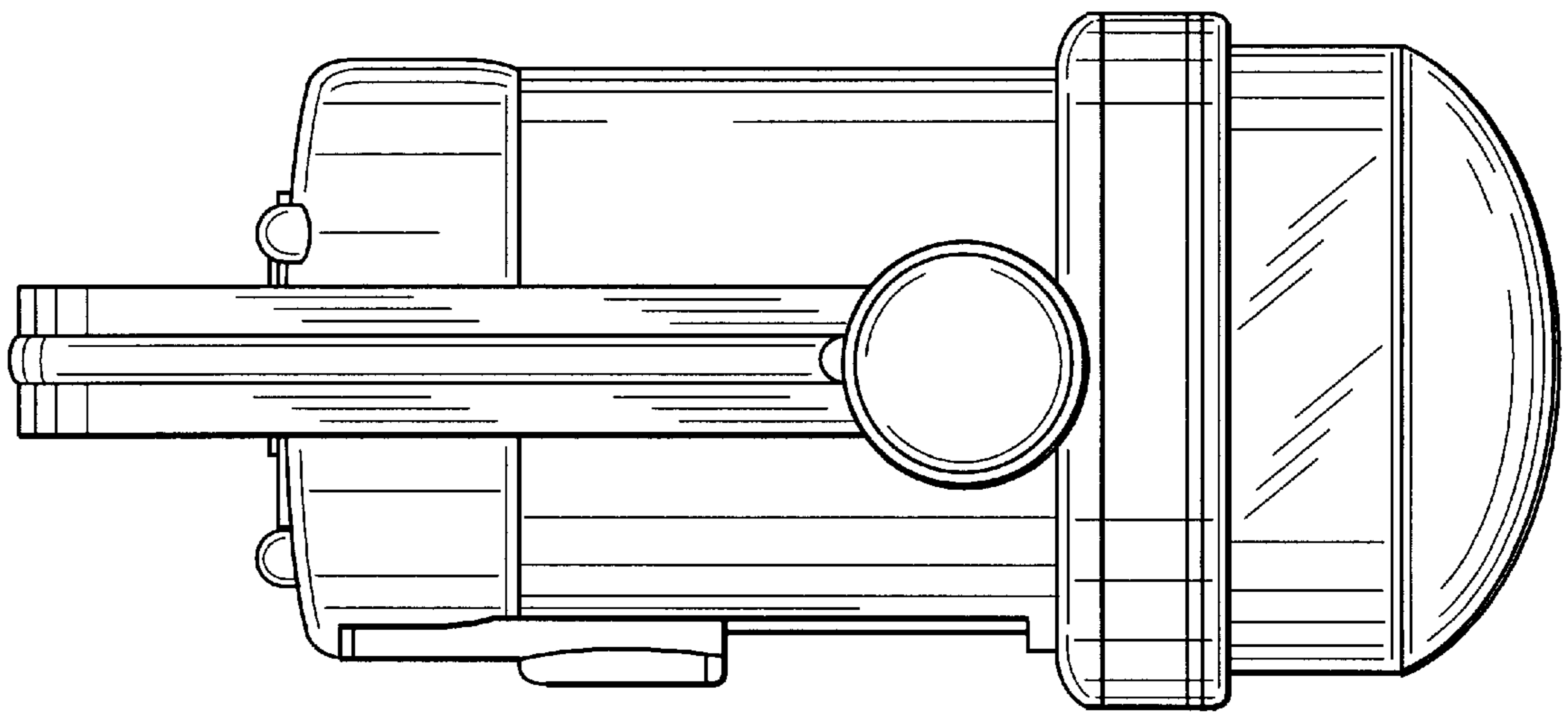


FIG. 5

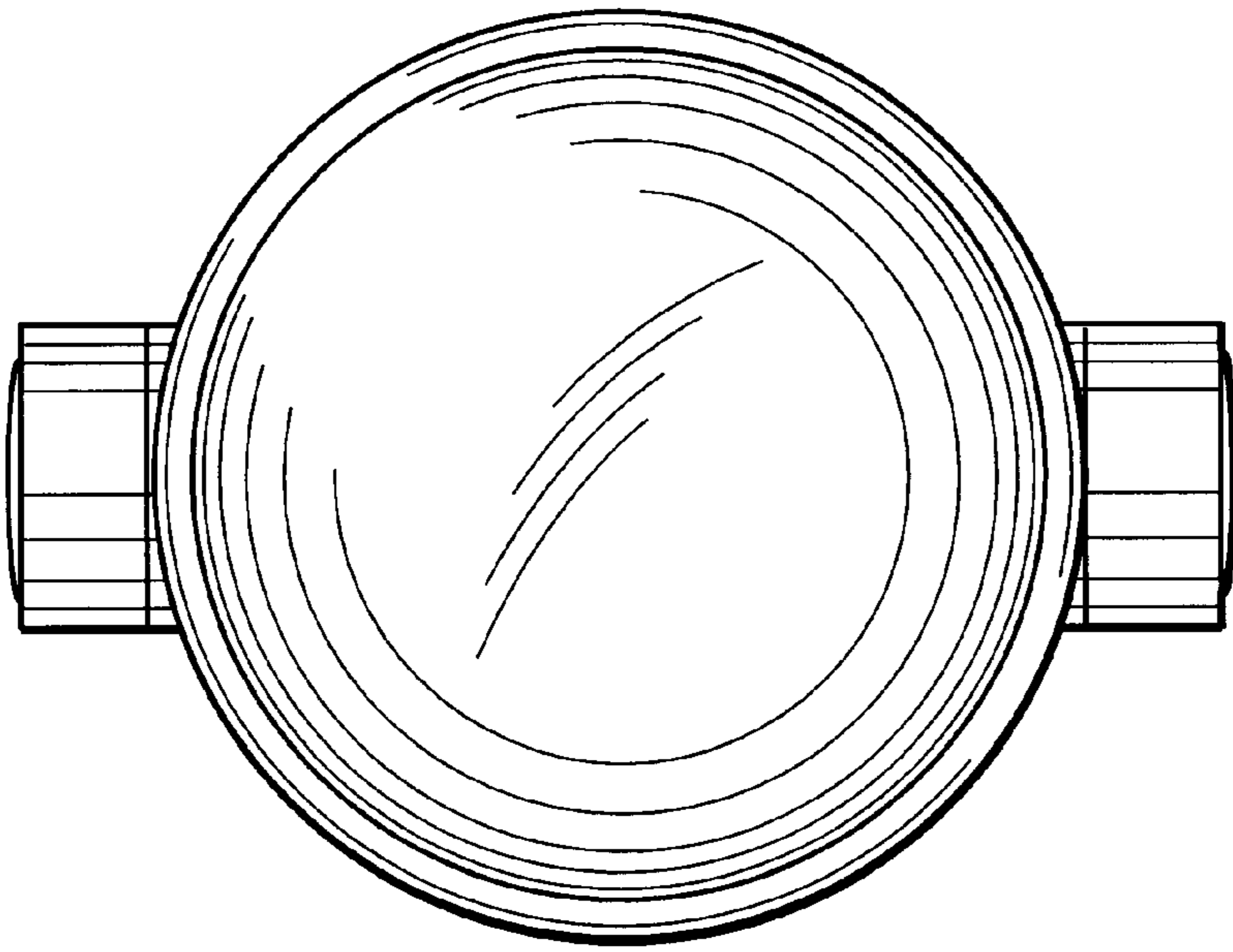


FIG. 6

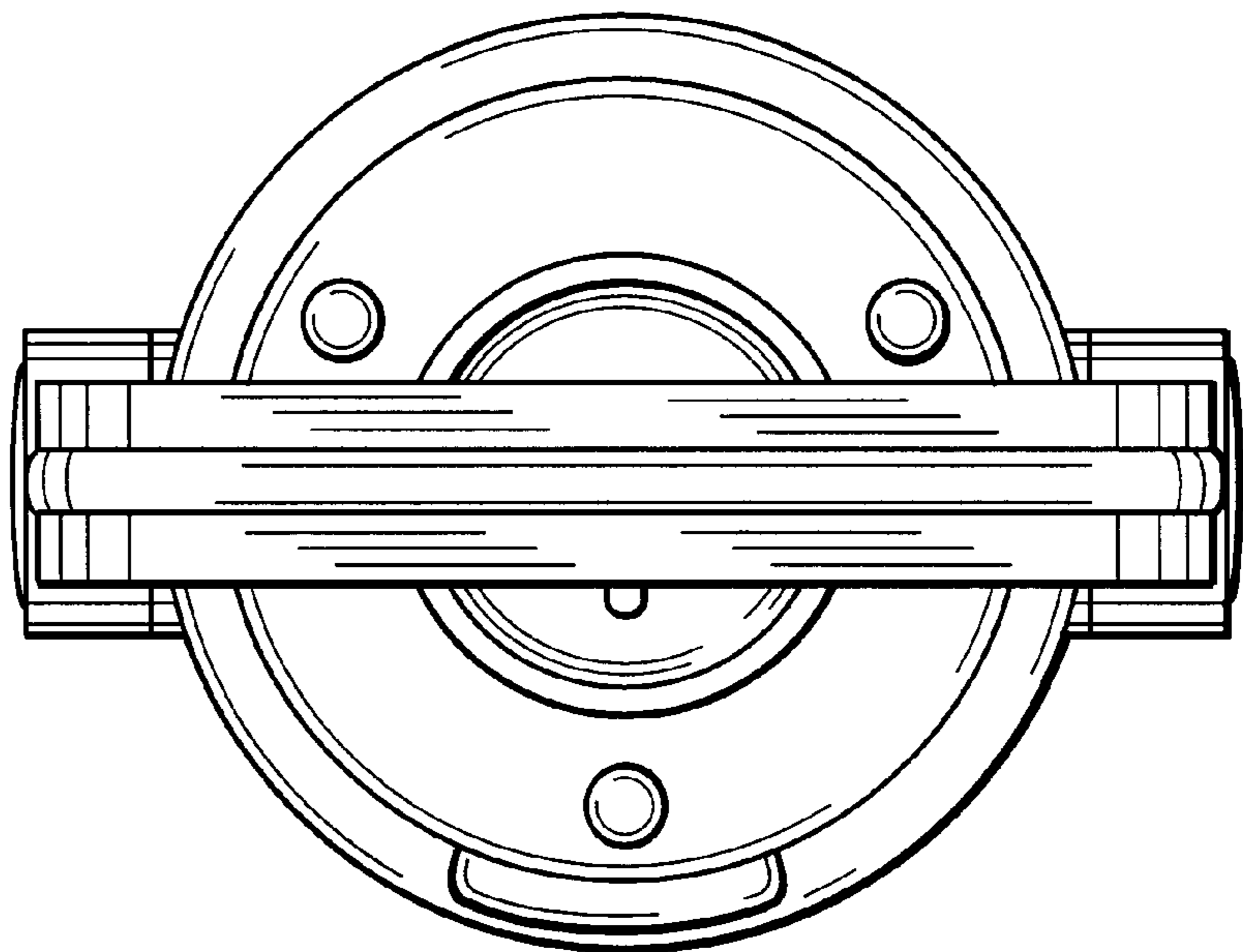


FIG. 7

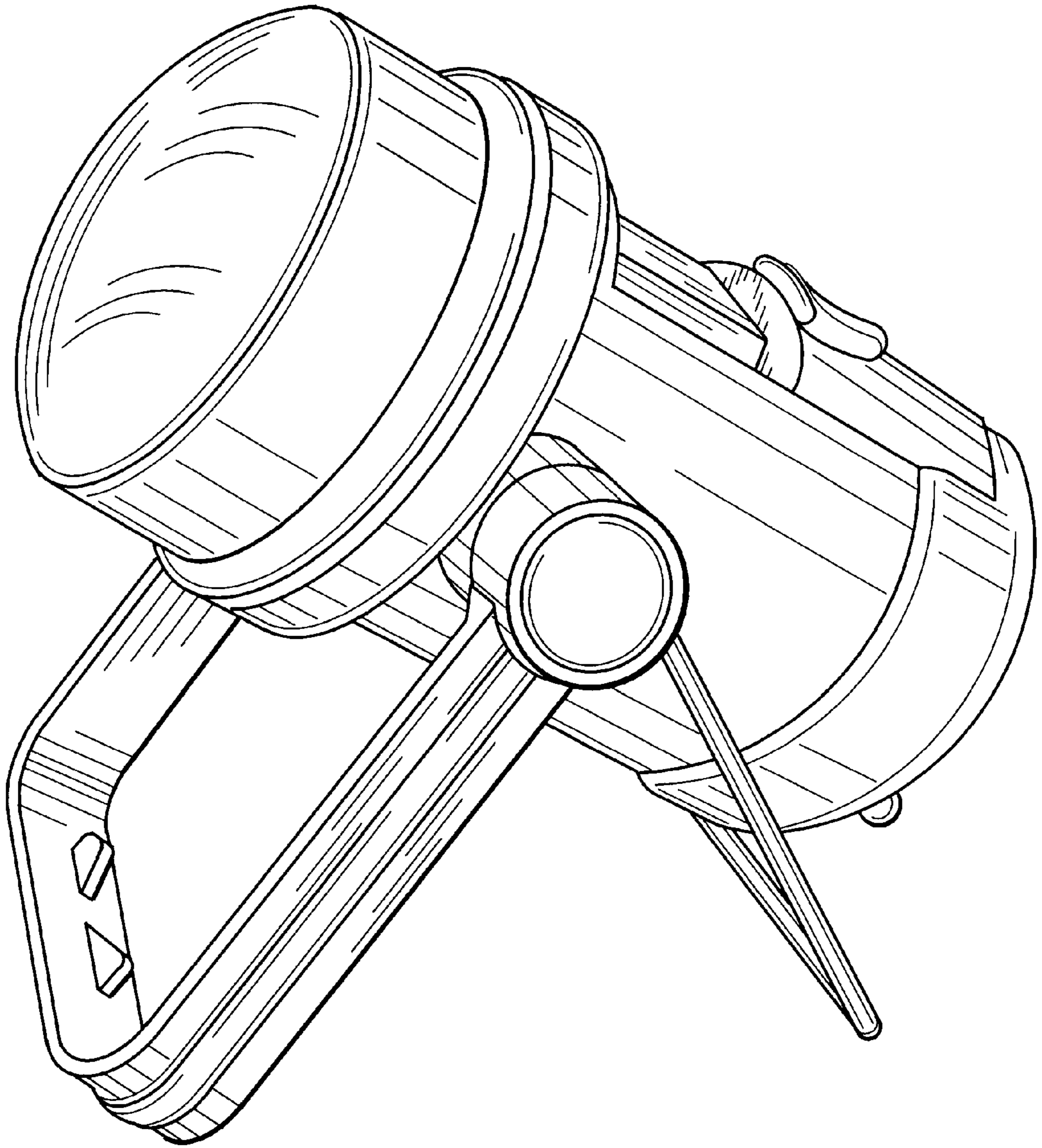


FIG. 8