



US00D431662S

United States Patent [19] Krieger

[11] Patent Number: **Des. 431,662**

[45] Date of Patent: **** Oct. 3, 2000**

[54] **SPORT SPOTLIGHT**

[75] Inventor: **Michael Krieger**, Miami Beach, Fla.

[73] Assignee: **Vector Products, Inc.**, Hollywood, Fla.

[**] Term: **14 Years**

[21] Appl. No.: **29/118,343**

[22] Filed: **Feb. 9, 2000**

[51] **LOC (7) Cl.** **26-02**

[52] **U.S. Cl.** **D26/45**

[58] **Field of Search** D26/37-50; 362/157,
362/158, 183-208

[56] **References Cited**

U.S. PATENT DOCUMENTS

D. 278,084	3/1985	Parker et al.	D26/45
D. 301,752	6/1989	Osterhout	D26/45
D. 311,778	10/1990	Dennis	D26/45
D. 342,582	12/1993	Young	D26/45

Primary Examiner—Marcus A. Jackson

Attorney, Agent, or Firm—Venable; Robert Kinberg

[57] **CLAIM**

The ornamental design for a sport spotlight, as shown and described.

DESCRIPTION

FIG. 1 is a right side elevational view of a sport spotlight showing my new design;

FIG. 2 is a left side elevational view of the sport spotlight shown in FIG. 1;

FIG. 3 is a front elevational view of the sport spotlight shown in FIG. 1;

FIG. 4 is a back side elevational view of the sport spotlight shown in FIG. 1;

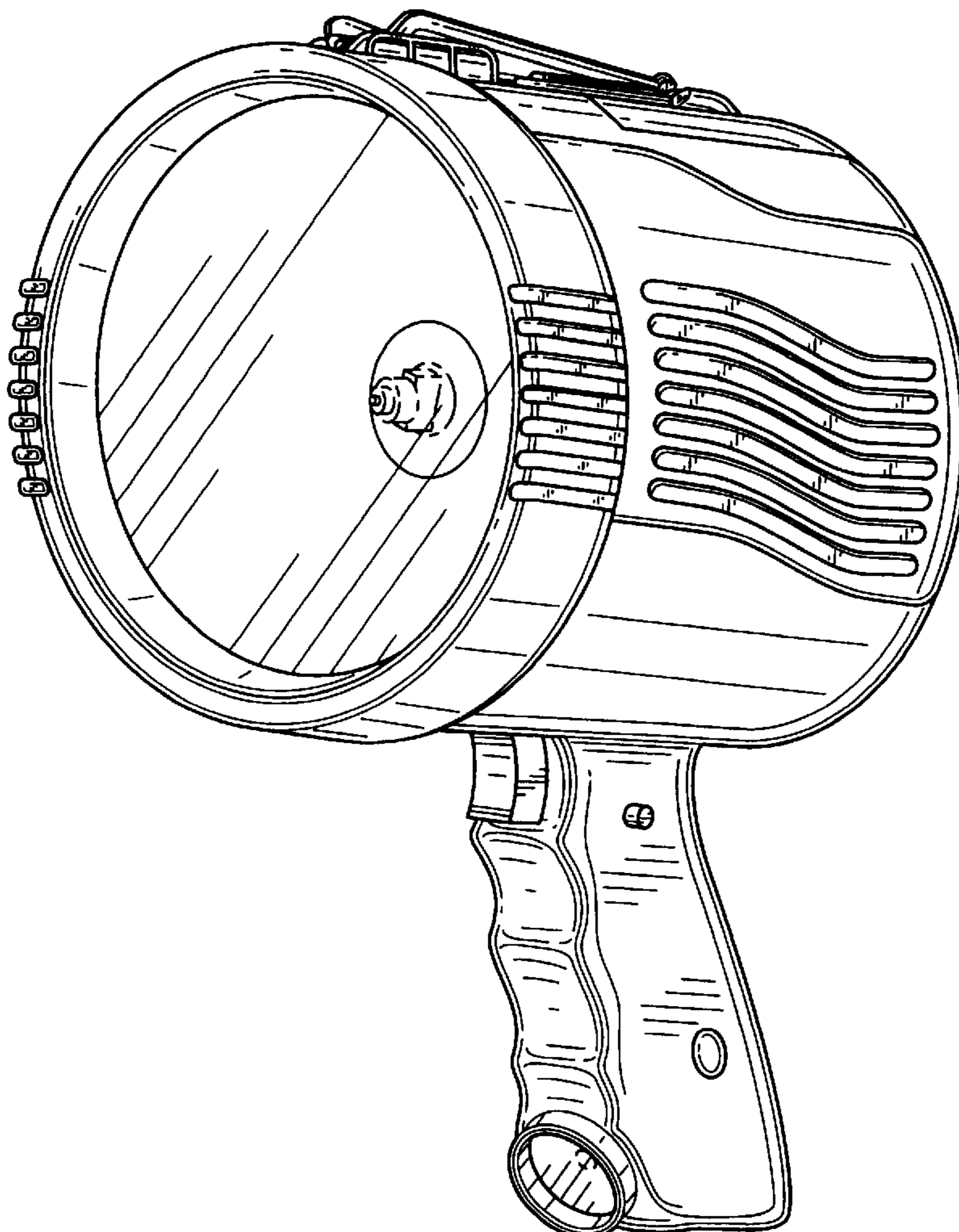
FIG. 5 is a top elevational view of the sport spotlight shown in FIG. 1;

FIG. 6 is a bottom elevational view of the sport spotlight shown in FIG. 1;

FIG. 7 is a perspective view of the sport spotlight shown in FIG. 1; and,

FIG. 8 is a perspective view of the sport spotlight shown in FIG. 1 standing on its legs.

1 Claim, 8 Drawing Sheets



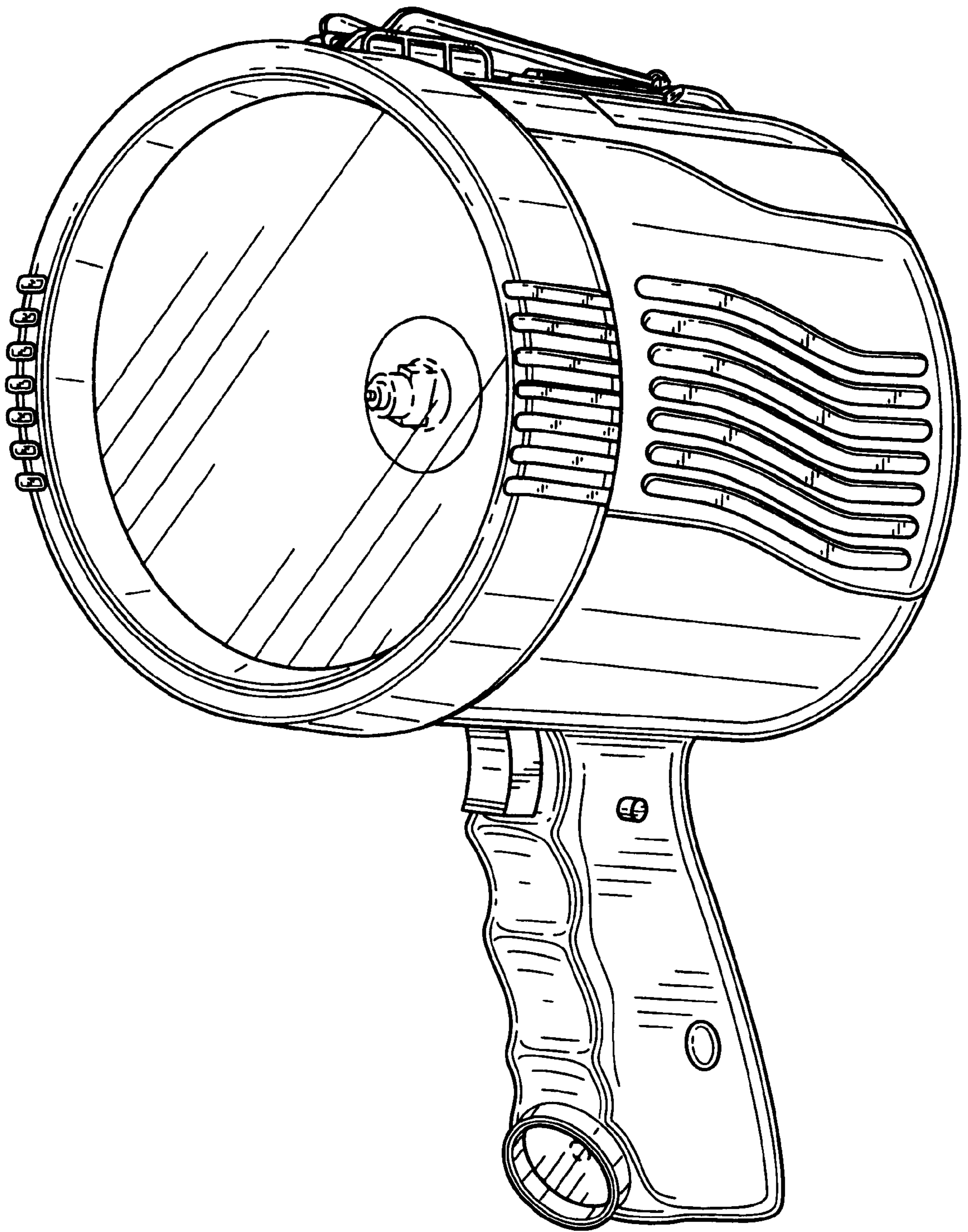


FIG. 1

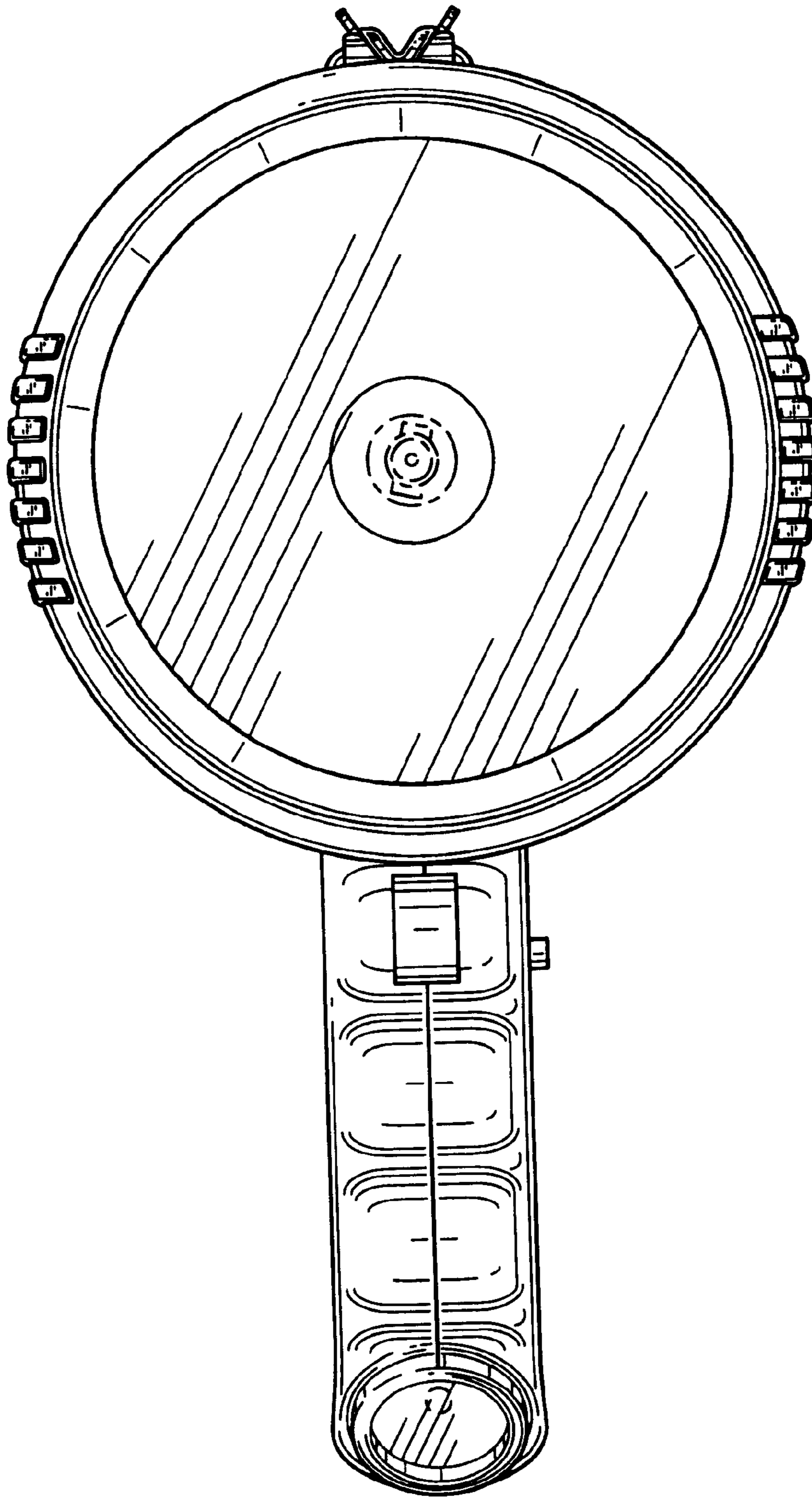


FIG. 2

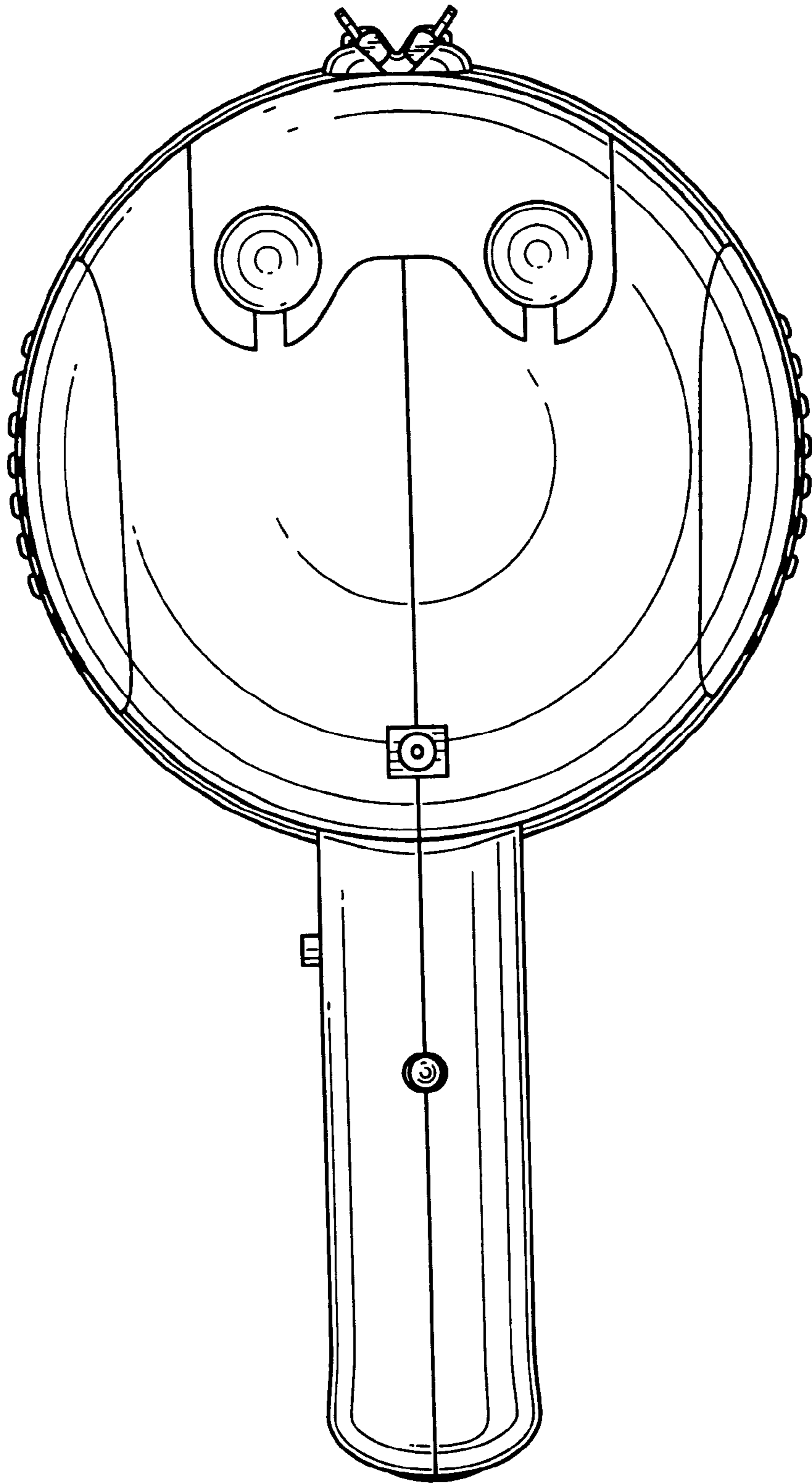


FIG. 3

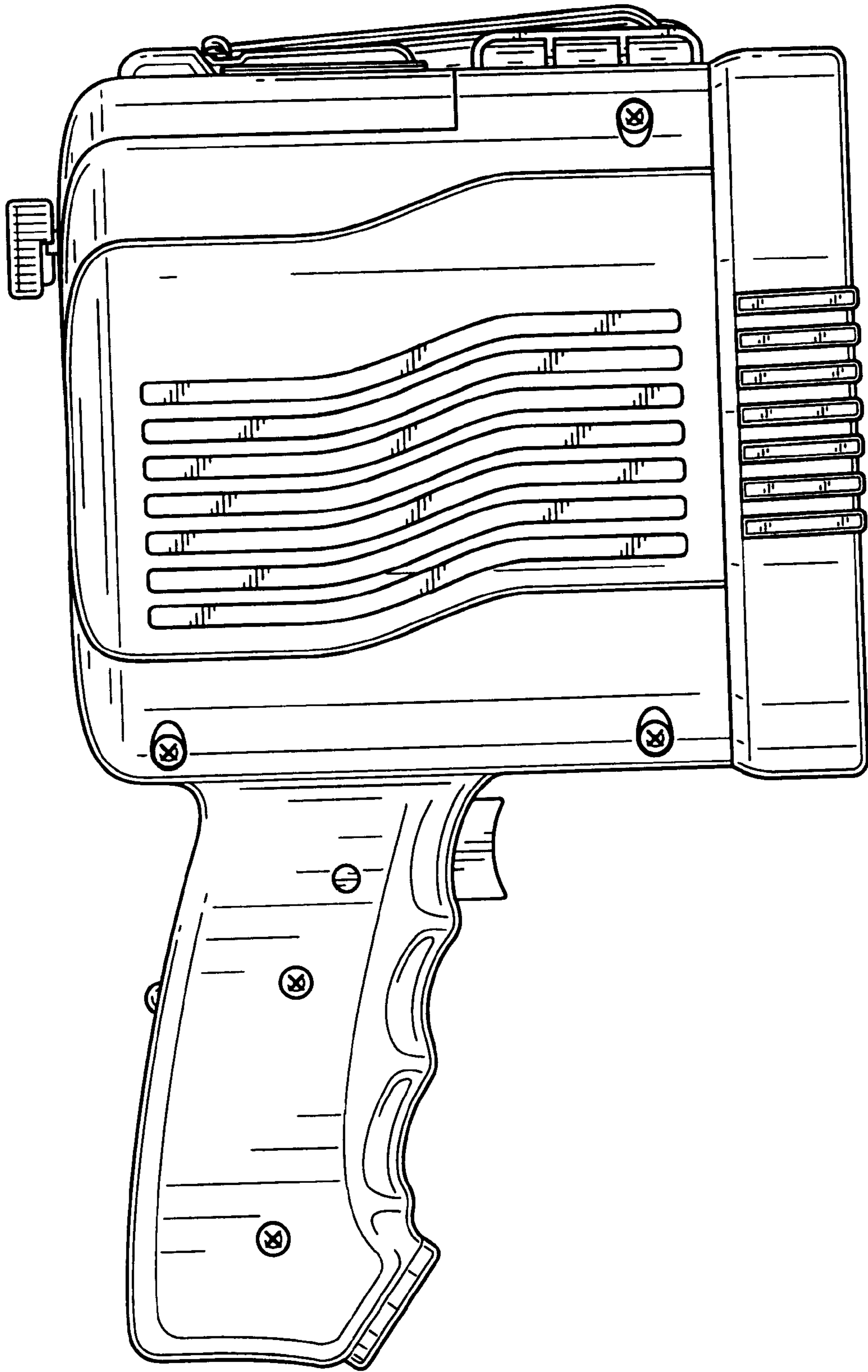


FIG. 4

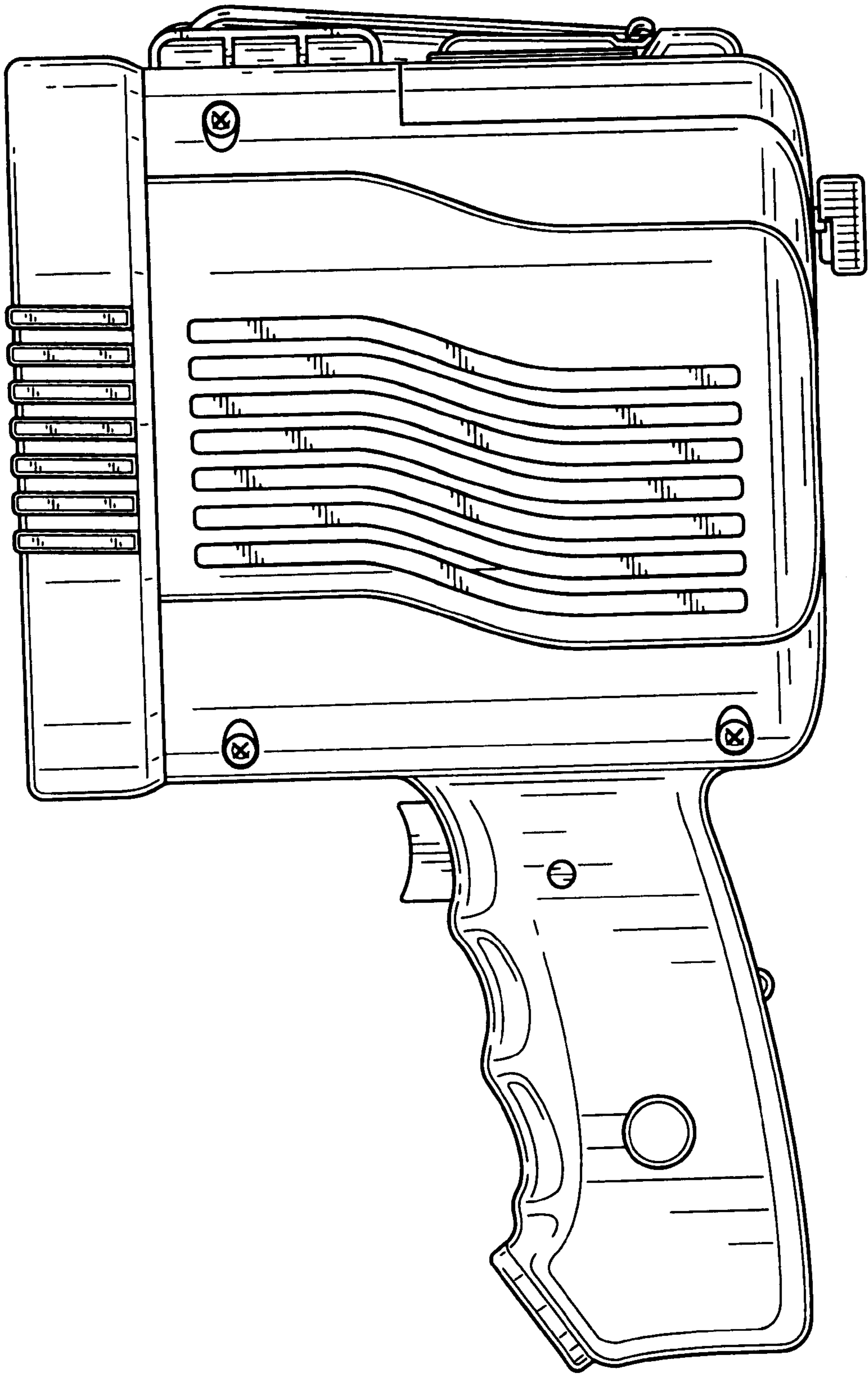


FIG. 5

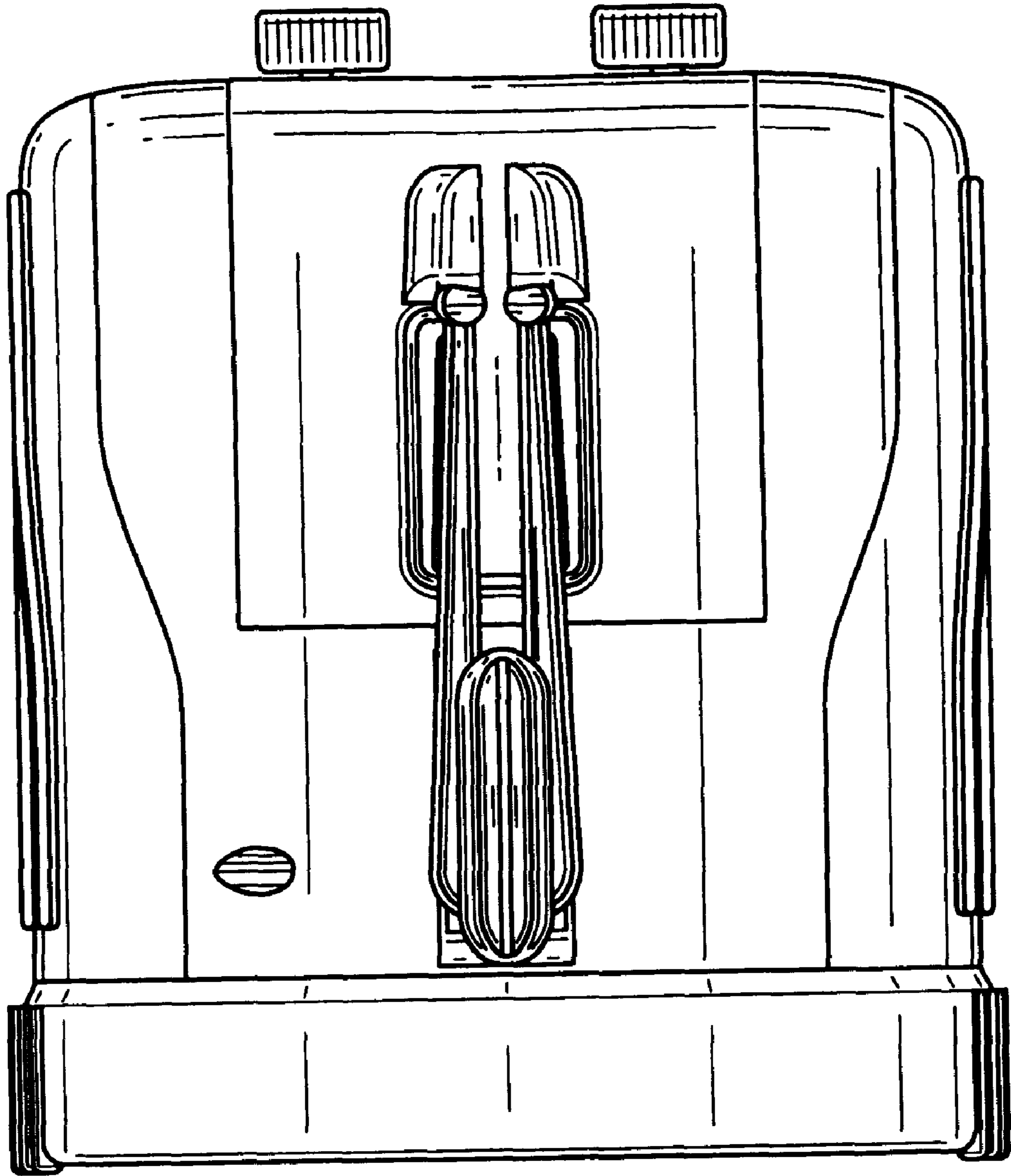


FIG. 6

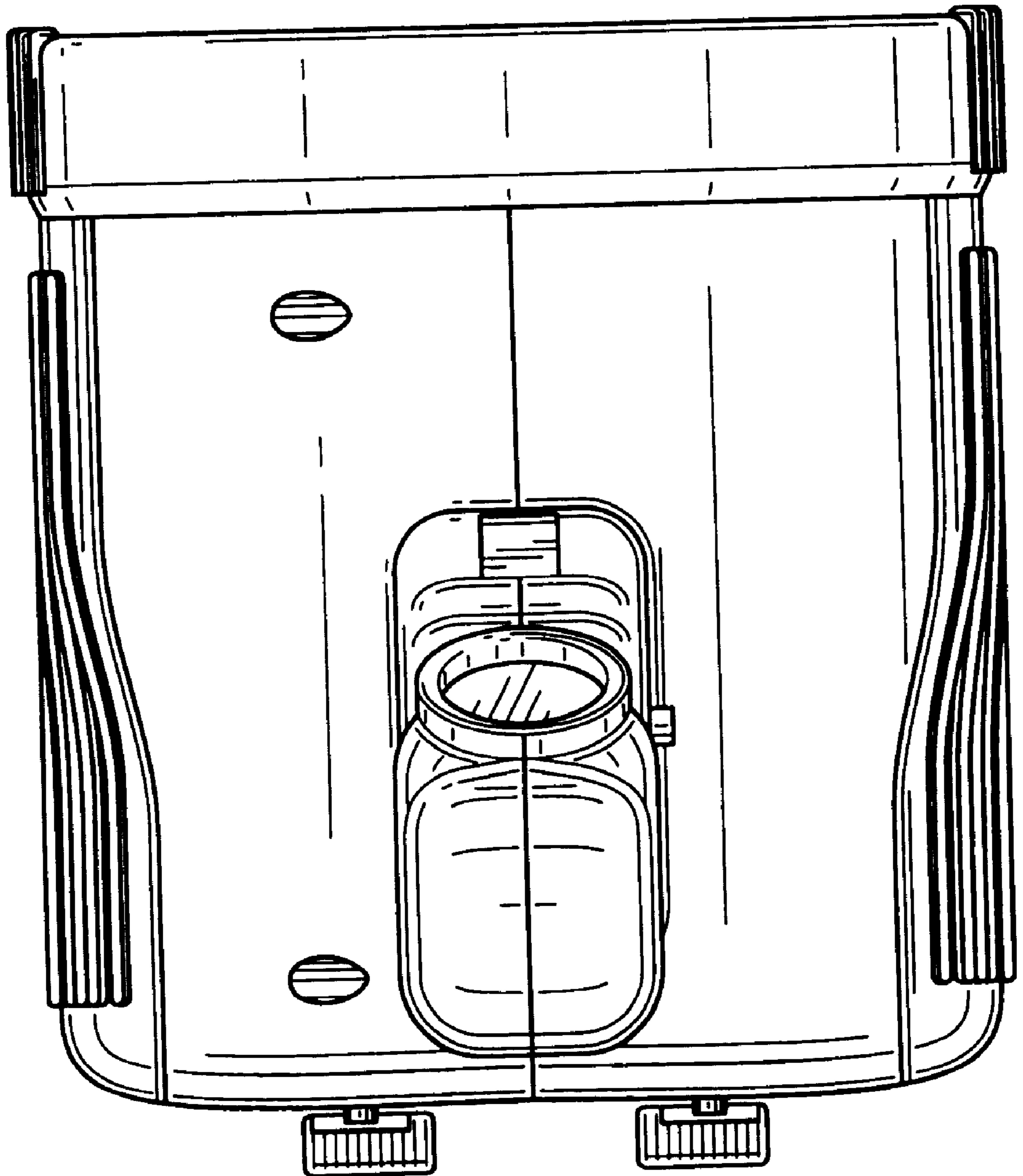


FIG. 7

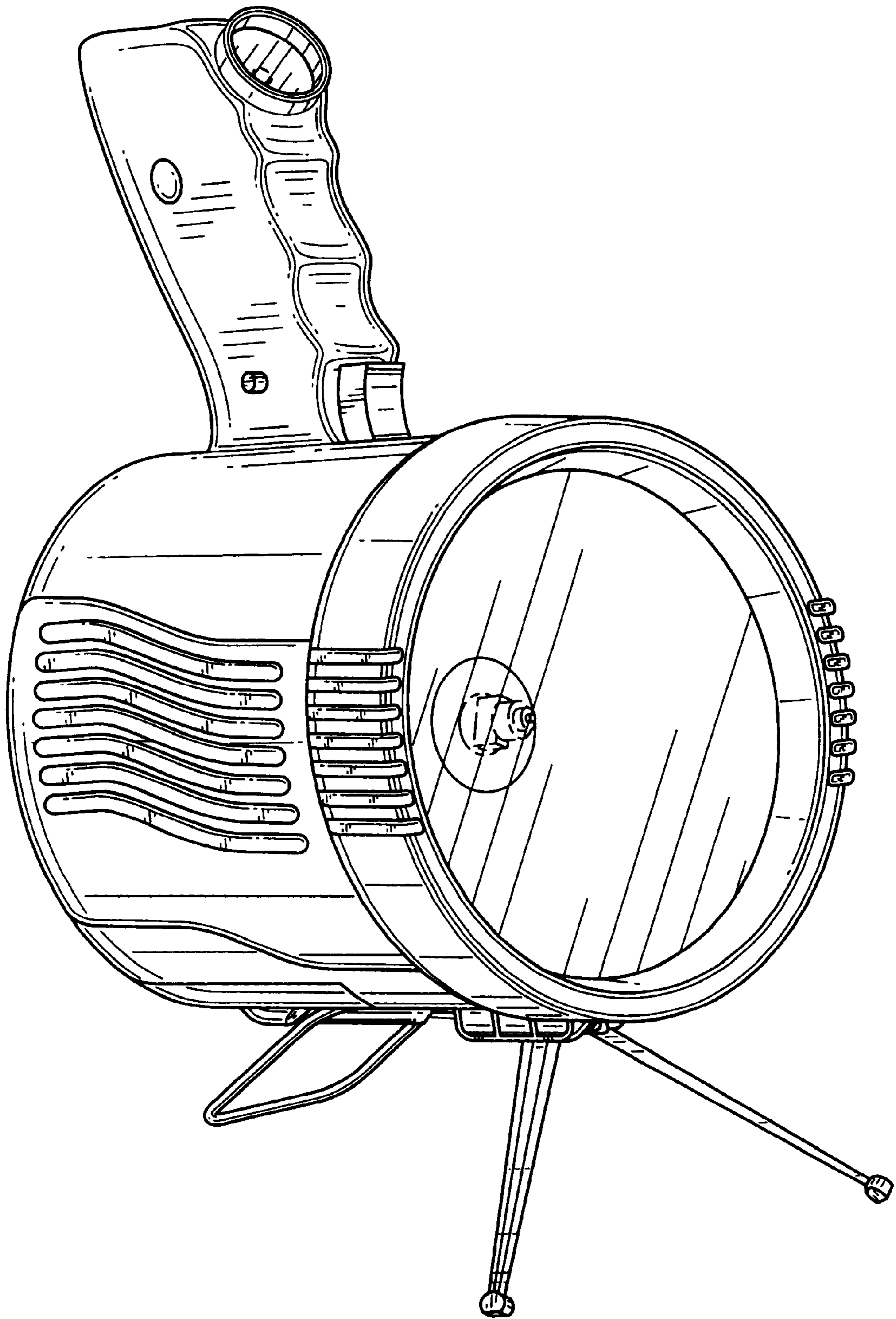


FIG. 8