



US00D431661S

United States Patent [19]
Yuen

[11] **Patent Number: Des. 431,661**
[45] **Date of Patent: ** Oct. 3, 2000**

[54] **MULTI FUNCTION FAN AND FLUORESCENT LANTERN**

D. 388,203 12/1997 Wan D26/38

[75] Inventor: **John Se-Kit Yuen**, 6/F Yau Lee Centre, 45 Hoi Yuen Road, Kwun Tong, Kowloon, The Hong Kong Special Administrative Region of the People's Republic of China

Primary Examiner—Marcus A. Jackson
Attorney, Agent, or Firm—Beall Law Offices

[73] Assignee: **John Se-Kit Yuen**, Kowloon, The Hong Kong Special Administrative Region of the People's Republic of China

[57] **CLAIM**

The ornamental design for a multi function fan and fluorescent lantern, as shown and described.

[**] Term: **14 Years**

DESCRIPTION

[21] Appl. No.: **29/110,211**

FIG. 1 is a left side elevational view of a multi function fan & fluorescent lantern showing my new design;

[22] Filed: **Sep. 2, 1999**

FIG. 2 is a front elevational view thereof;

[30] **Foreign Application Priority Data**

Mar. 3, 1999 [GB] United Kingdom 2081802

FIG. 3 is a right side elevational view thereof;

[51] **LOC (7) Cl.** **26-02**

[52] **U.S. Cl.** **D26/38**

[58] **Field of Search** D23/328, 370; D26/37-50; 362/167, 158, 183-208

FIG. 4 is a rear elevational thereof;

FIG. 5 is a top plan view thereof;

FIG. 6 is a bottom plan view thereof;

FIG. 7 is a front elevational view with spotlight and fluorescent tube compartments shown in alternative positions thereof; and,

FIG. 8 is a left side elevational view with fluorescent tube compartment shown in alternative positions thereof.

[56] **References Cited**

U.S. PATENT DOCUMENTS

D. 314,617 2/1991 Yuen D26/38

1 Claim, 4 Drawing Sheets

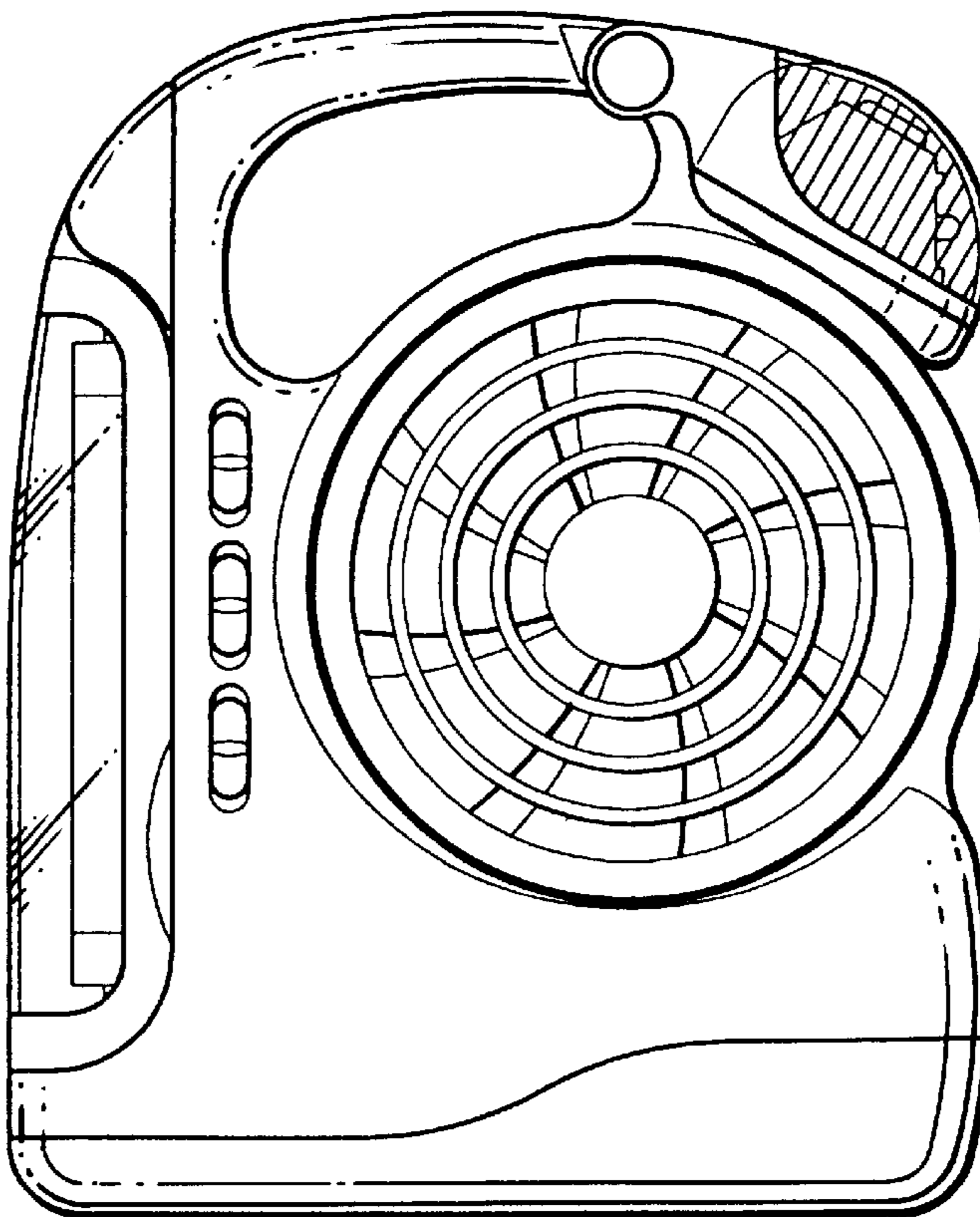
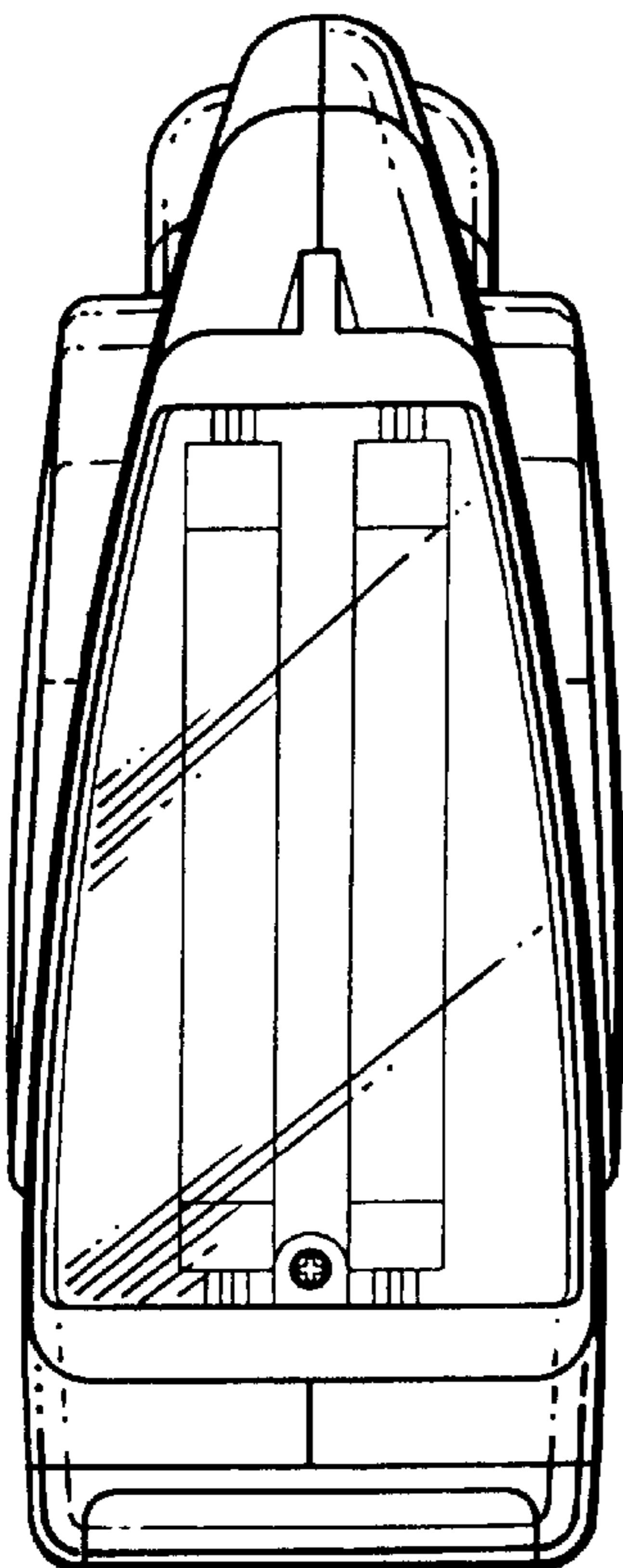


FIG. 1

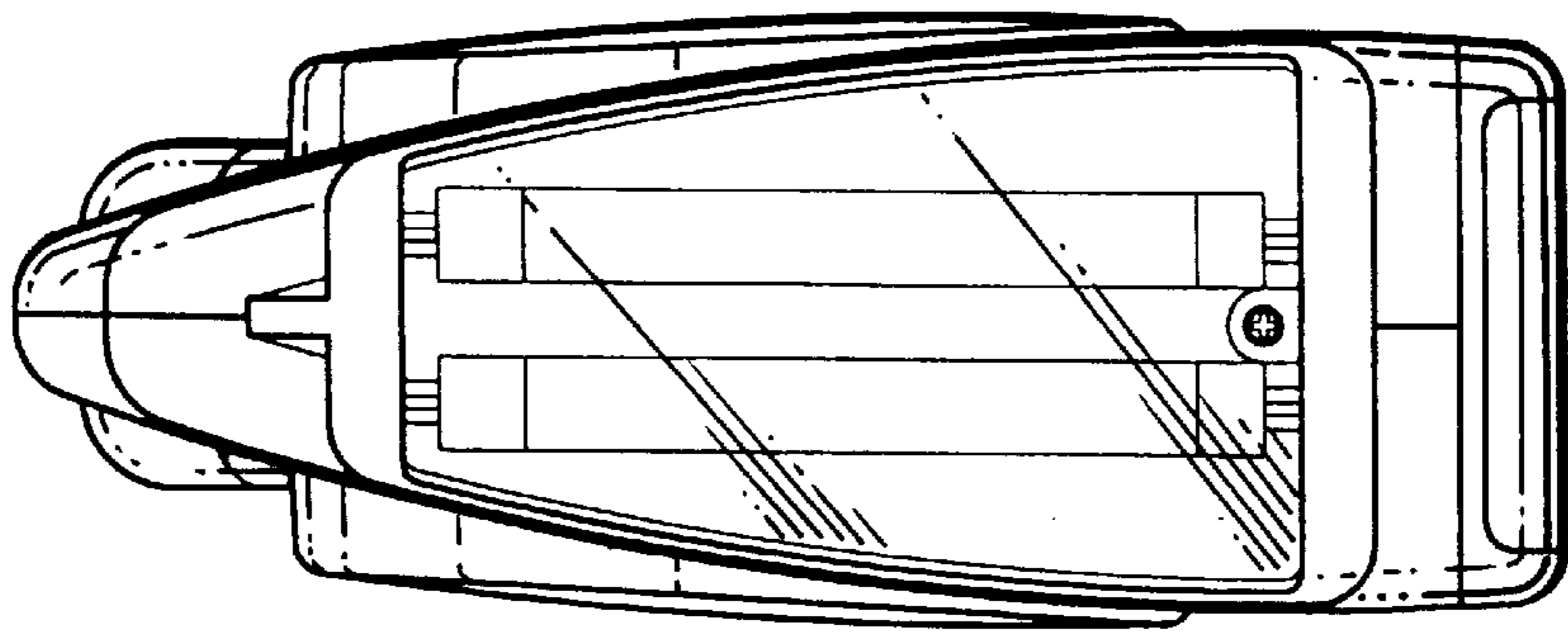


FIG. 2

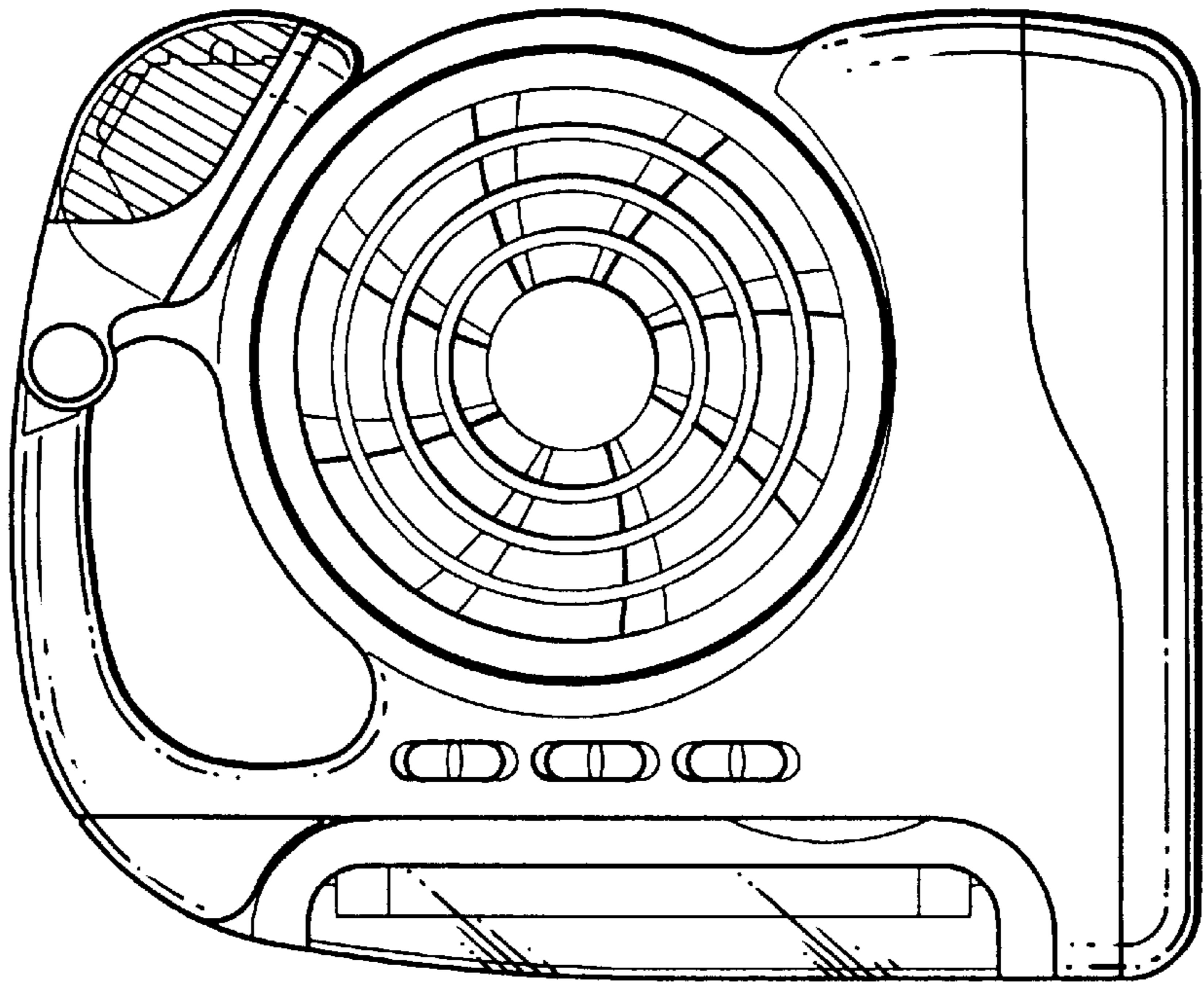


FIG. 3

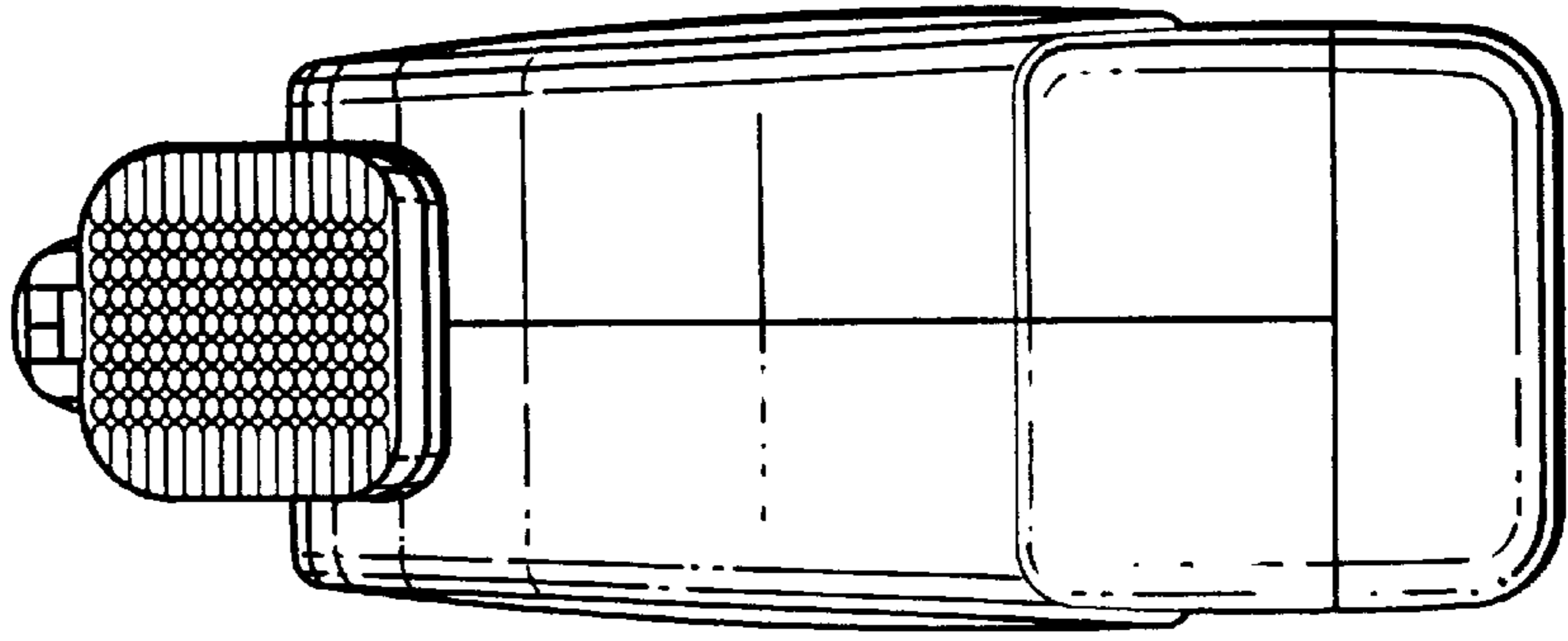


FIG. 5

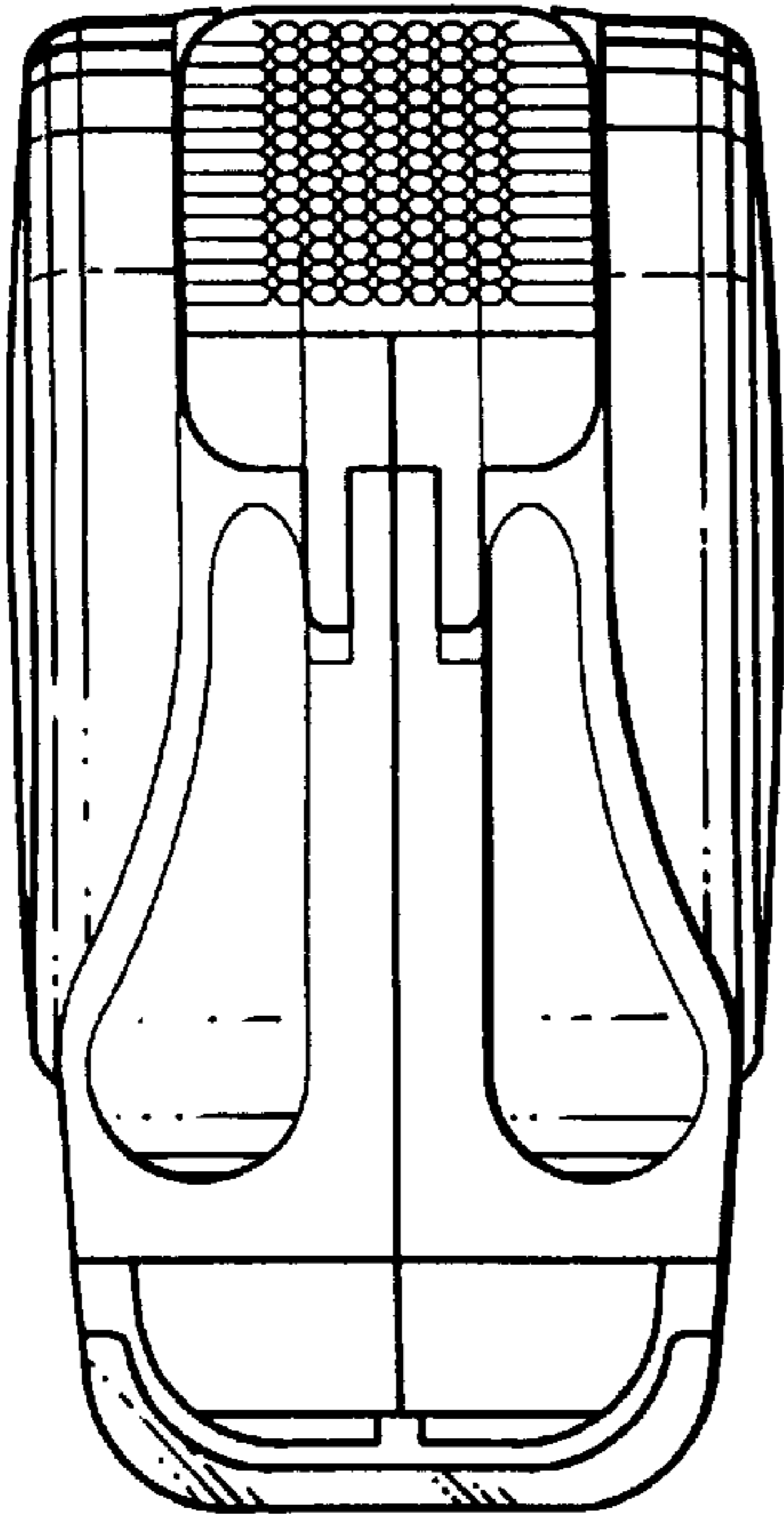


FIG. 6

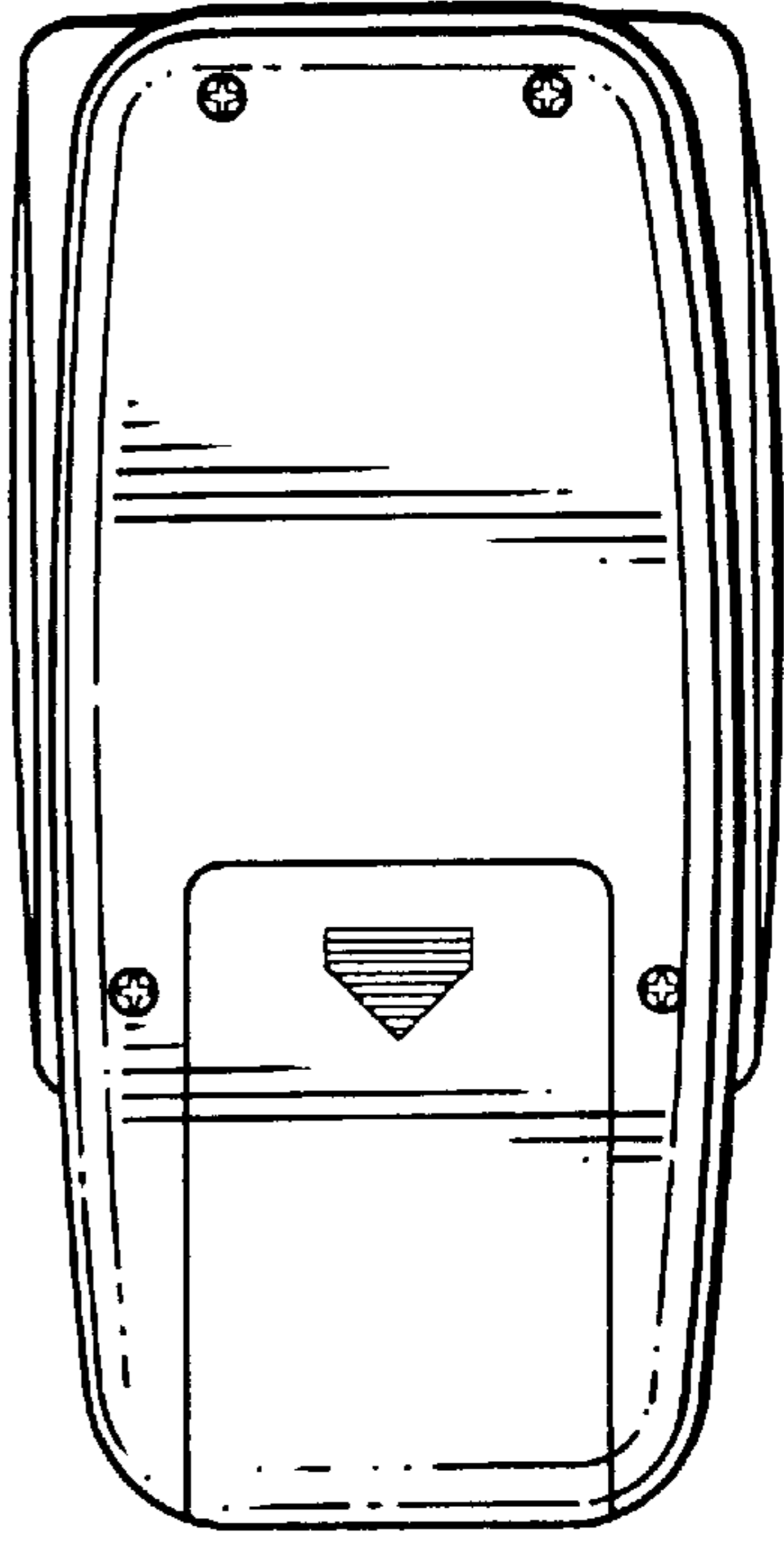
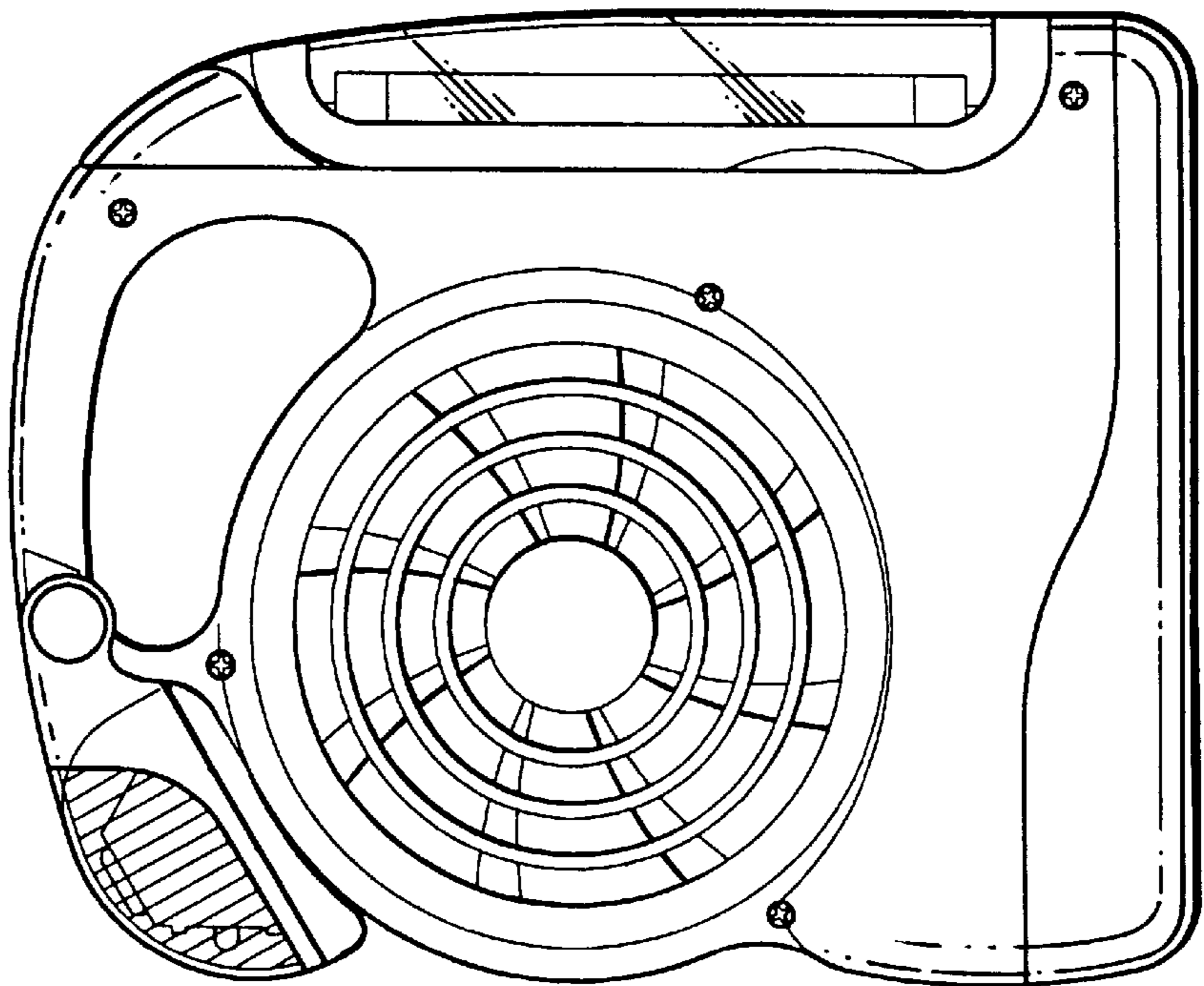


FIG. 4



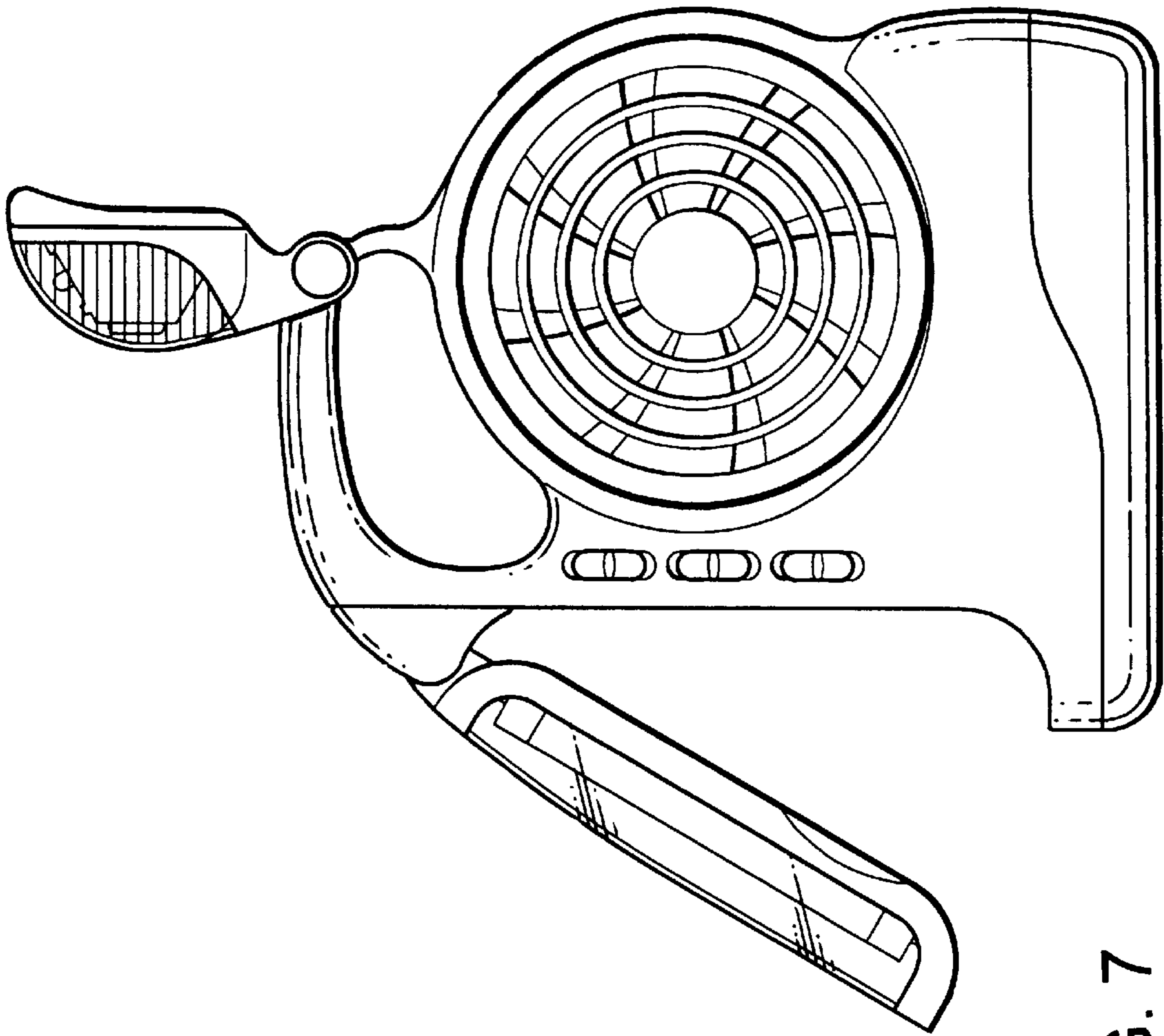
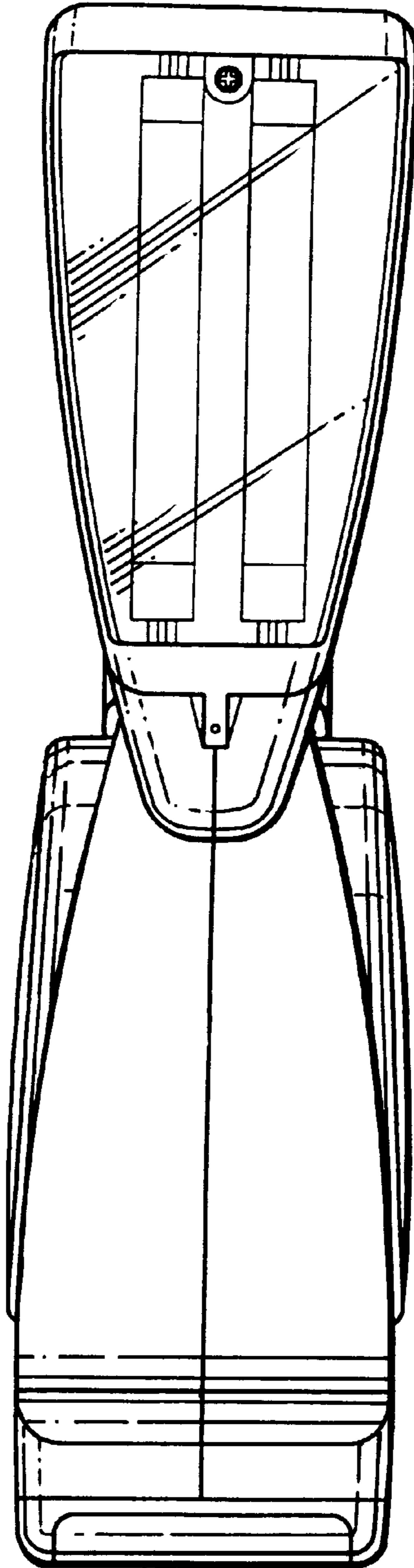


FIG. 7

FIG. 8



UNITED STATES PATENT AND TRADEMARK OFFICE
CERTIFICATE OF CORRECTION

PATENT NO. : Des 431,661
DATED : October 3, 2000
INVENTOR(S) : John Se-Kit Yuen

Page 1 of 1

It is certified that error appears in the above-identified patent and that said Letters Patent is hereby corrected as shown below:

Title page,

Item [73], Assignee, please correct to read as follows:

-- [73] Assignee: **John Manufacturing Limited**
Kowloon, Hong Kong --

Signed and Sealed this

Thirtieth Day of July, 2002

Attest:



Attesting Officer

JAMES E. ROGAN
Director of the United States Patent and Trademark Office