



US00D431658S

United States Patent [19] Gregori

[11] **Patent Number: Des. 431,658**
[45] **Date of Patent: ** Oct. 3, 2000**

[54] **DECKING**

5,826,382 10/1998 Elsasser et al. 52/177

[76] Inventor: **Karl H W Gregori**, c/o P.O. Box 356,
Orillia, Ontario, Canada, L3V 6J6

Primary Examiner—Doris Clark
Attorney, Agent, or Firm—Ladas & Parry

[*] Notice: This patent is subject to a terminal disclaimer.

[57] **CLAIM**

The ornamental design for decking, as shown and described.

[**] Term: **14 Years**

DESCRIPTION

[21] Appl. No.: **29/104,590**

FIG. 1 is a front, left side perspective view of my design, the front right side perspective view is a mirror image;

[22] Filed: **May 7, 1999**

FIG. 2 is a top plan view of my design, the bottom plan view is a mirror image;

[51] **LOC (7) Cl.** **25-01**

[52] **U.S. Cl.** **D25/122**

FIG. 3 is a front elevation view of my design, the rear elevation view is a mirror image; and,

[58] **Field of Search** 14/73; 405/196;
119/406, 407, 525, 529; 52/177, 181; D25/124,
122, 138

FIG. 4 is a right side view of my design, the left side view is a mirror image.

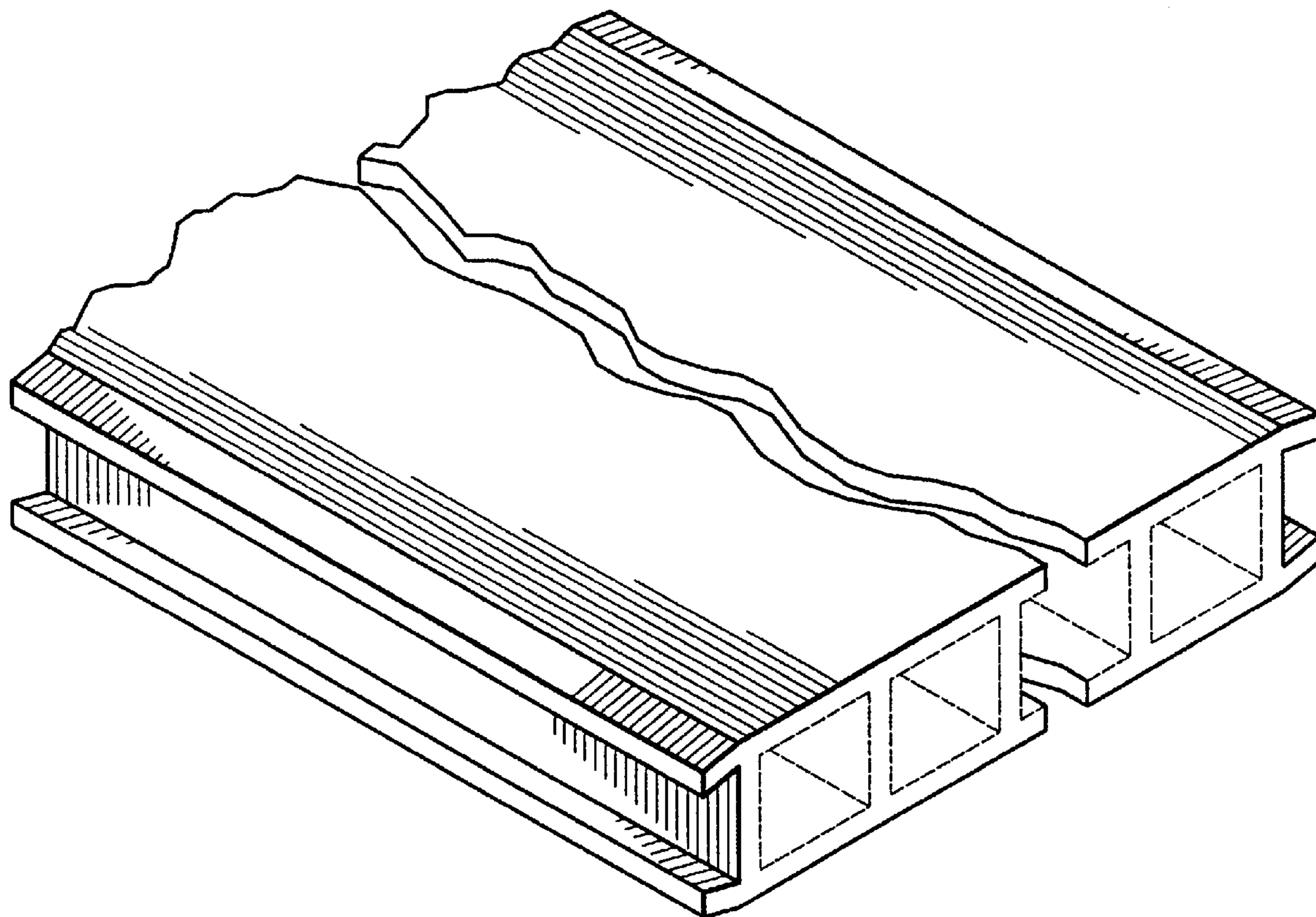
The design of my decking is of indefinite length and width as illustrated by the broken portions in the Figures. The broken line portions in FIGS. 1 and 4 do not form part of the claimed design.

[56] **References Cited**

U.S. PATENT DOCUMENTS

D. 336,345 6/1993 Fasth et al. D25/319
3,722,473 3/1973 Vickstrom et al. 119/529

1 Claim, 2 Drawing Sheets



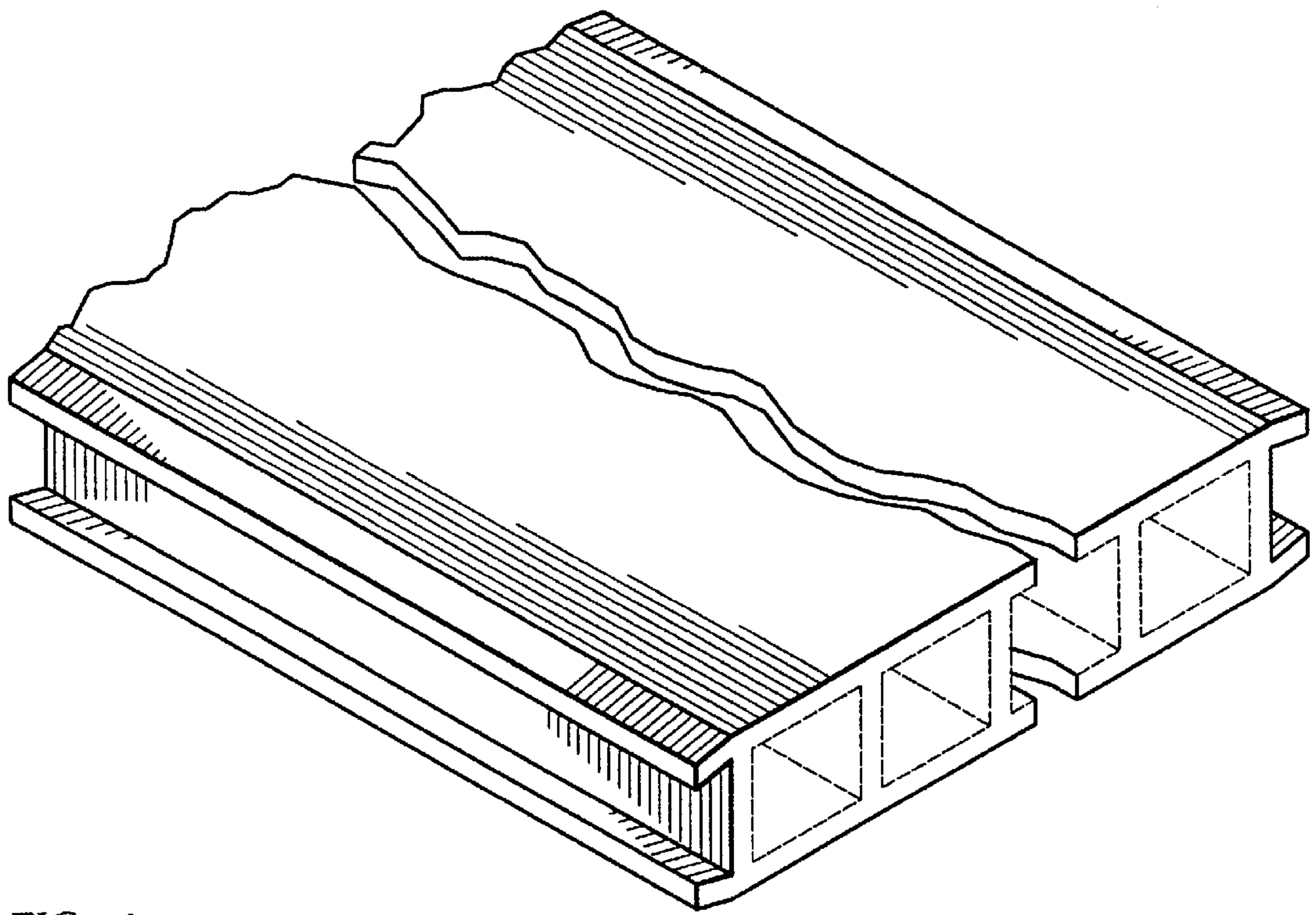


FIG. 1

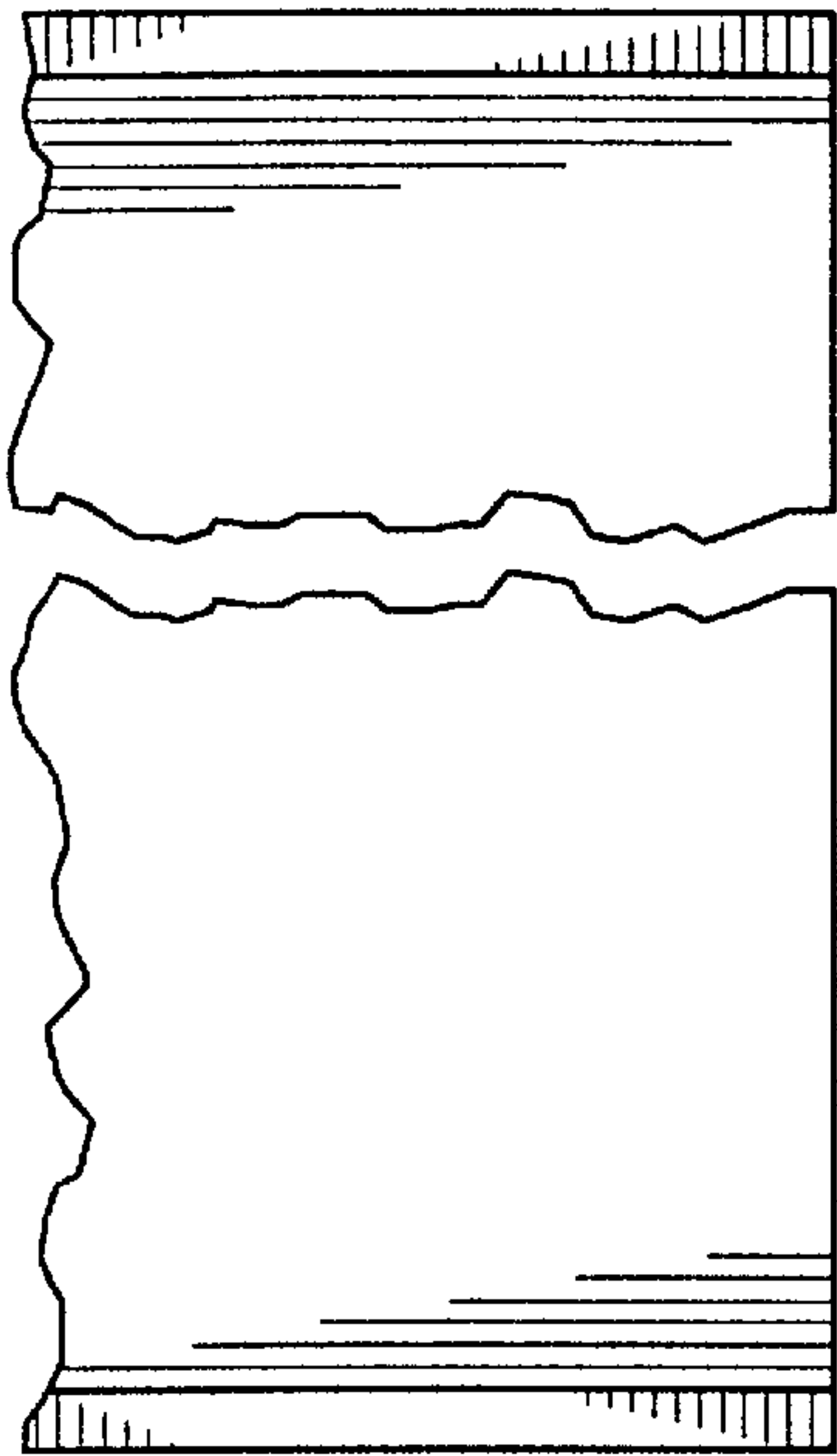


FIG. 2

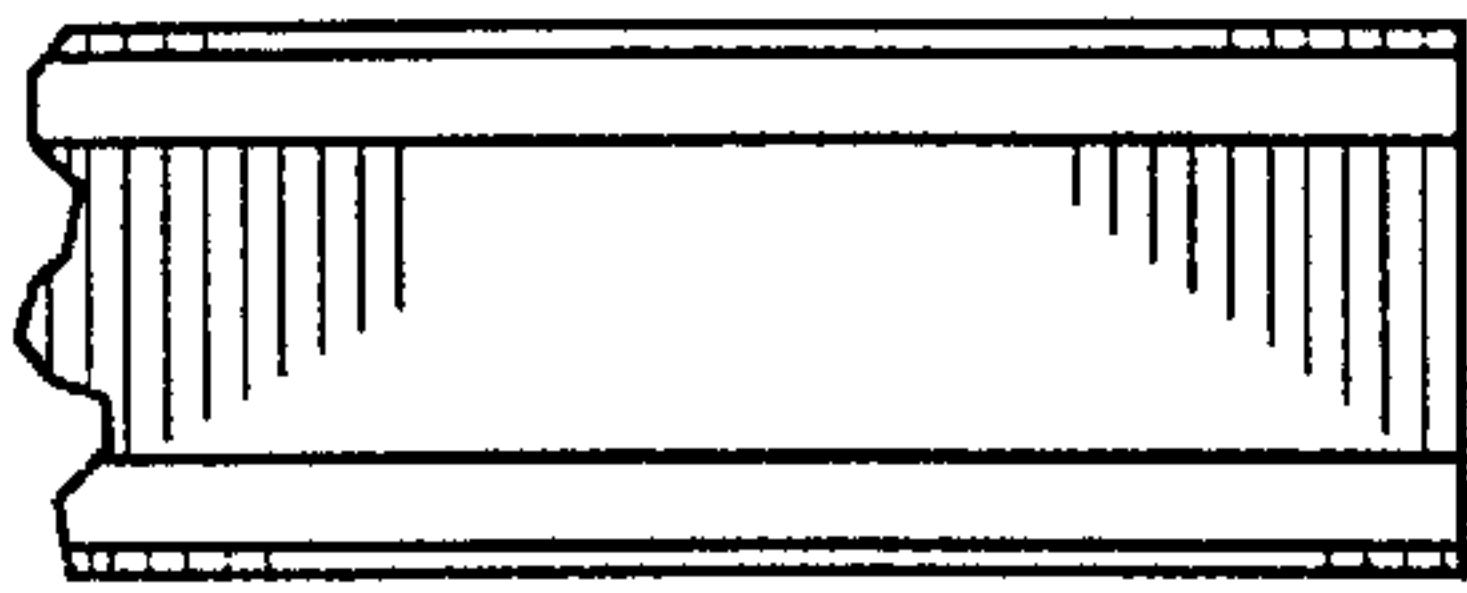


FIG. 3

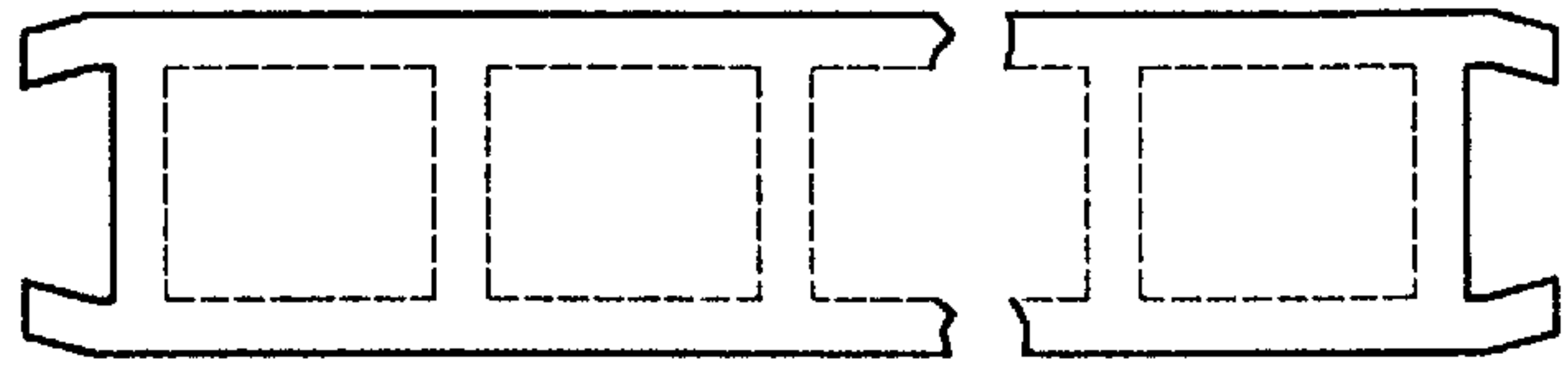


FIG. 4