



US00D431655S

United States Patent [19]

[11] **Patent Number: Des. 431,655**

Denton

[45] **Date of Patent: ** Oct. 3, 2000**

[54] **CUSHION DEVICE FOR SWIMMING POOL LADDER**

*Primary Examiner—Doris Clark
Attorney, Agent, or Firm—Trent C. Keisling*

[76] Inventor: **Frederick L. Denton**, 1475 Dixon,
Springdale, Ark. 72762

[57] **CLAIM**

[**] Term: **14 Years**

The design for a cushion device for swimming pool ladder device, as shown and described.

[21] Appl. No.: **29/109,875**

DESCRIPTION

[22] Filed: **Aug. 24, 1999**

FIG. 1 is an environmental view of a cushion device for swimming pool ladder showing our new design, with phantom lines shown for illustrative purposes only and form no part of the claimed design;

[51] **LOC (7) Cl. 25-04**

[52] **U.S. Cl. D25/68**

[58] **Field of Search 182/106, 230;
248/210; 4/456; D25/68, 69, 2**

FIG. 2 is an isometric view thereof;

FIG. 3 is a front view thereof;

FIG. 4 is a top plan view thereof;

FIG. 5 is a rear view thereof;

FIG. 6 is an end view thereof; and,

FIG. 7 is a cross-sectional view taken along line 7—7 of FIG. 3.

[56] **References Cited**

U.S. PATENT DOCUMENTS

D. 372,989	8/1996	Gile et al.	D25/68
3,512,608	5/1970	Huntley	182/106
5,084,919	2/1992	Bittle, Sr.	4/496
5,333,323	8/1994	Aymes	4/496

1 Claim, 2 Drawing Sheets

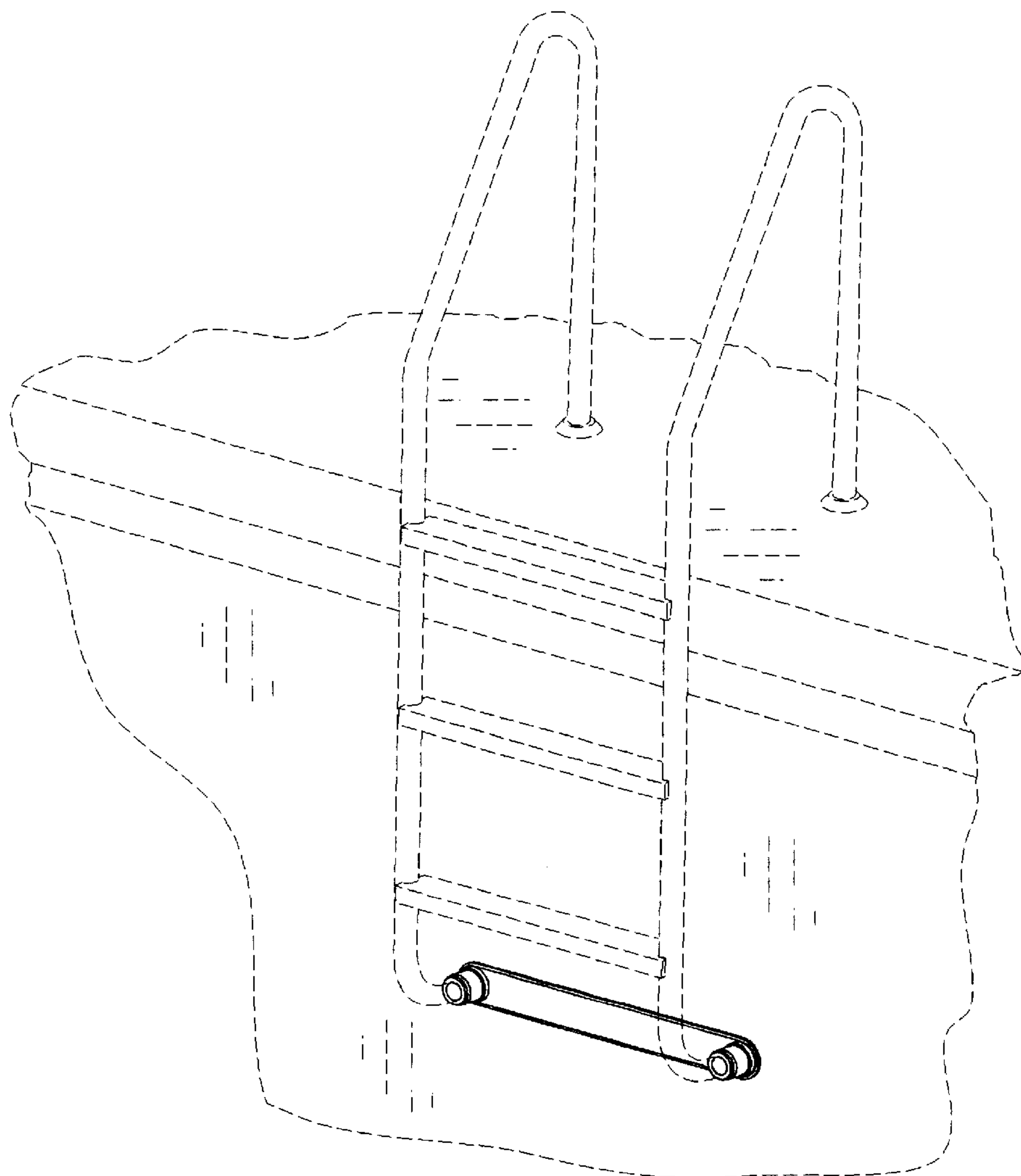


FIG. 1

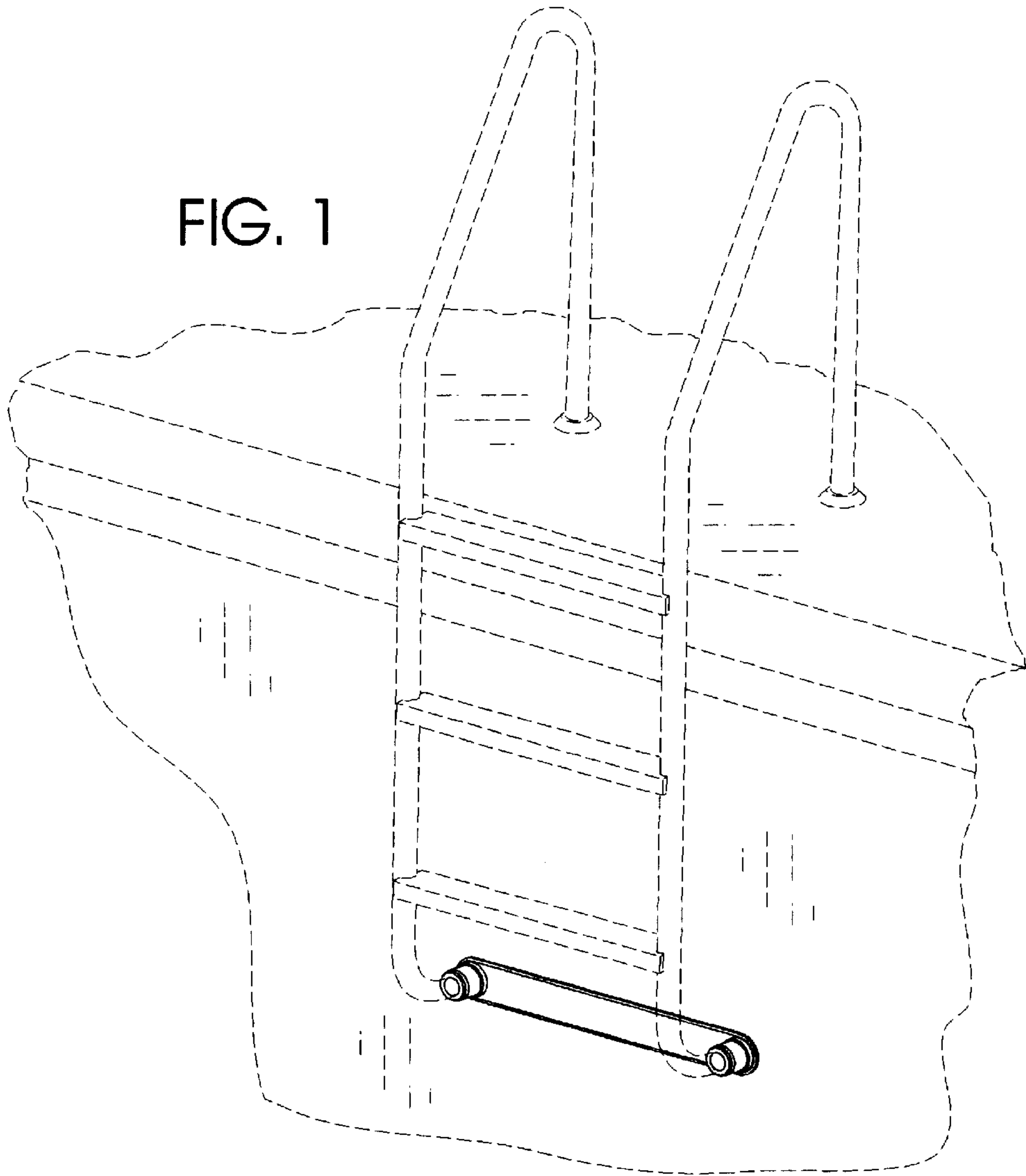


FIG. 2

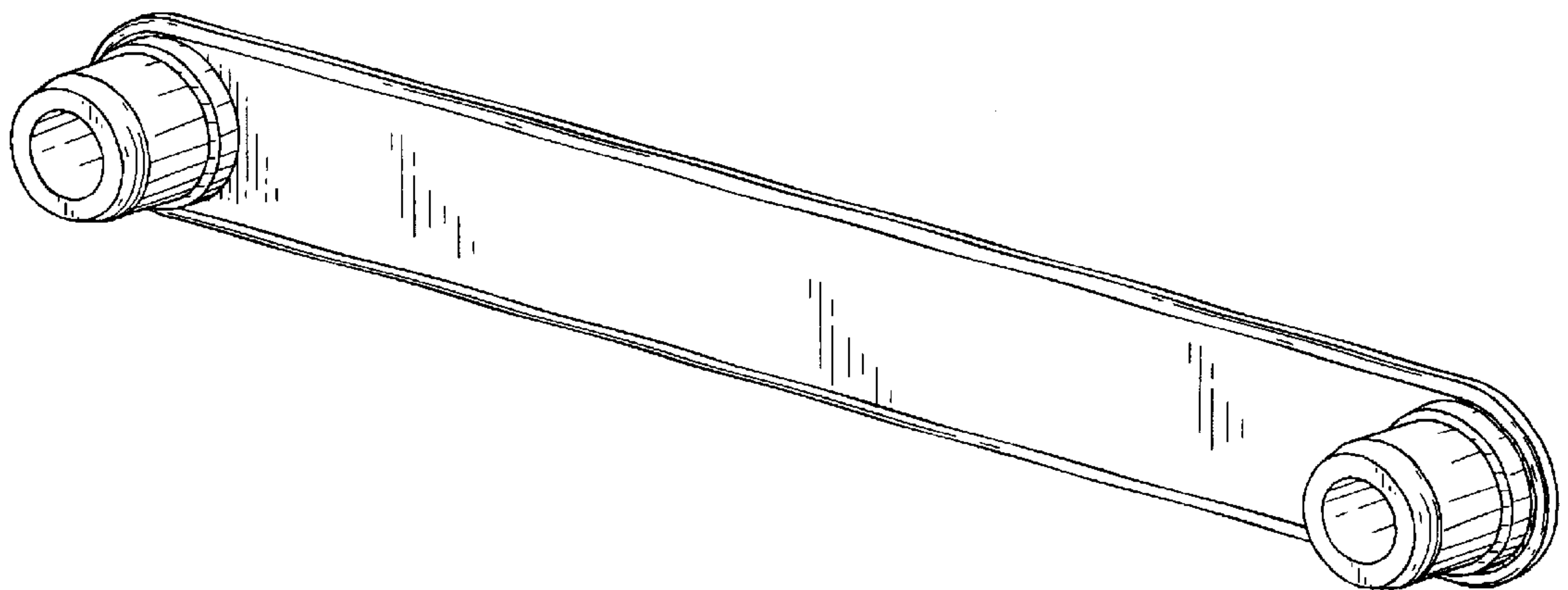


FIG. 3

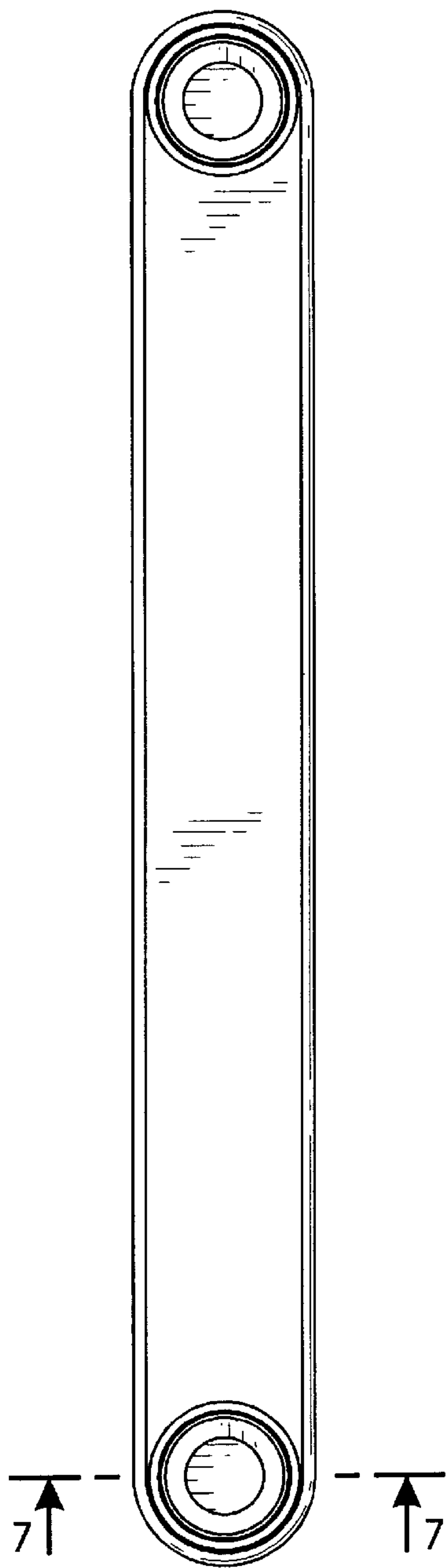


FIG. 4

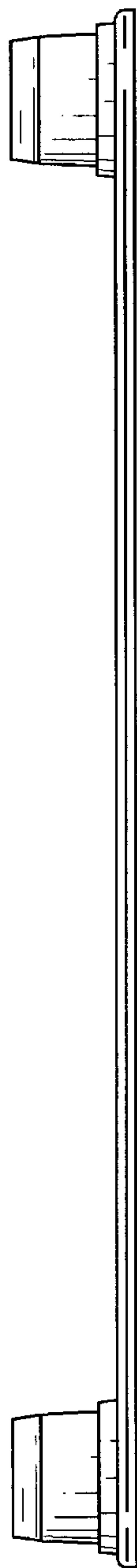


FIG. 5

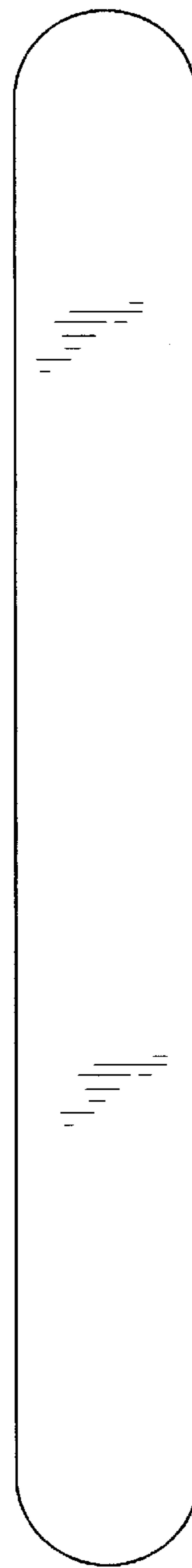


FIG. 6



FIG. 7

