



US00D431653S

# United States Patent [19]

Koros et al.

[11] Patent Number: Des. 431,653

[45] Date of Patent: \*\* Oct. 3, 2000

[54] SELF-ADJUSTING RETRACTOR SUPPORT ROD

[76] Inventors: Tibor B. Koros; Gabriel J. Koros, both of 610 Flinn Ave., Moorpark, Calif. 93021

[\*\*] Term: 14 Years

[21] Appl. No.: 29/105,102

[22] Filed: May 18, 1999

[51] LOC (7) Cl. .... 24-02

[52] U.S. Cl. .... D24/135

[58] Field of Search ..... D24/135; 600/228, 600/225, 201, 227, 231, 234, 235, 217, 215, 232, 230

[56] **References Cited**

U.S. PATENT DOCUMENTS

4,254,763	3/1981	McCready et al. ....	600/230
5,415,159	5/1995	Ortiz et al. ....	600/230
5,897,490	4/1999	Fox et al. ....	600/227

Primary Examiner—Ian Simmons  
Attorney, Agent, or Firm—David O'Reilly

[57] **CLAIM**

The ornamental design for a self-adjusting retractor support rod, substantially, as shown and described.

**DESCRIPTION**

FIG. 1 is an isometric view of a self-adjusting retractor support rod according to the invention showing our new design.

FIG. 2 is a front isometric view thereof.

FIG. 3 is a front elevational view thereof.

FIG. 4 is a right side elevational view thereof, the left side view being identical.

FIG. 5 is a top plan view thereof, the bottom view being identical.

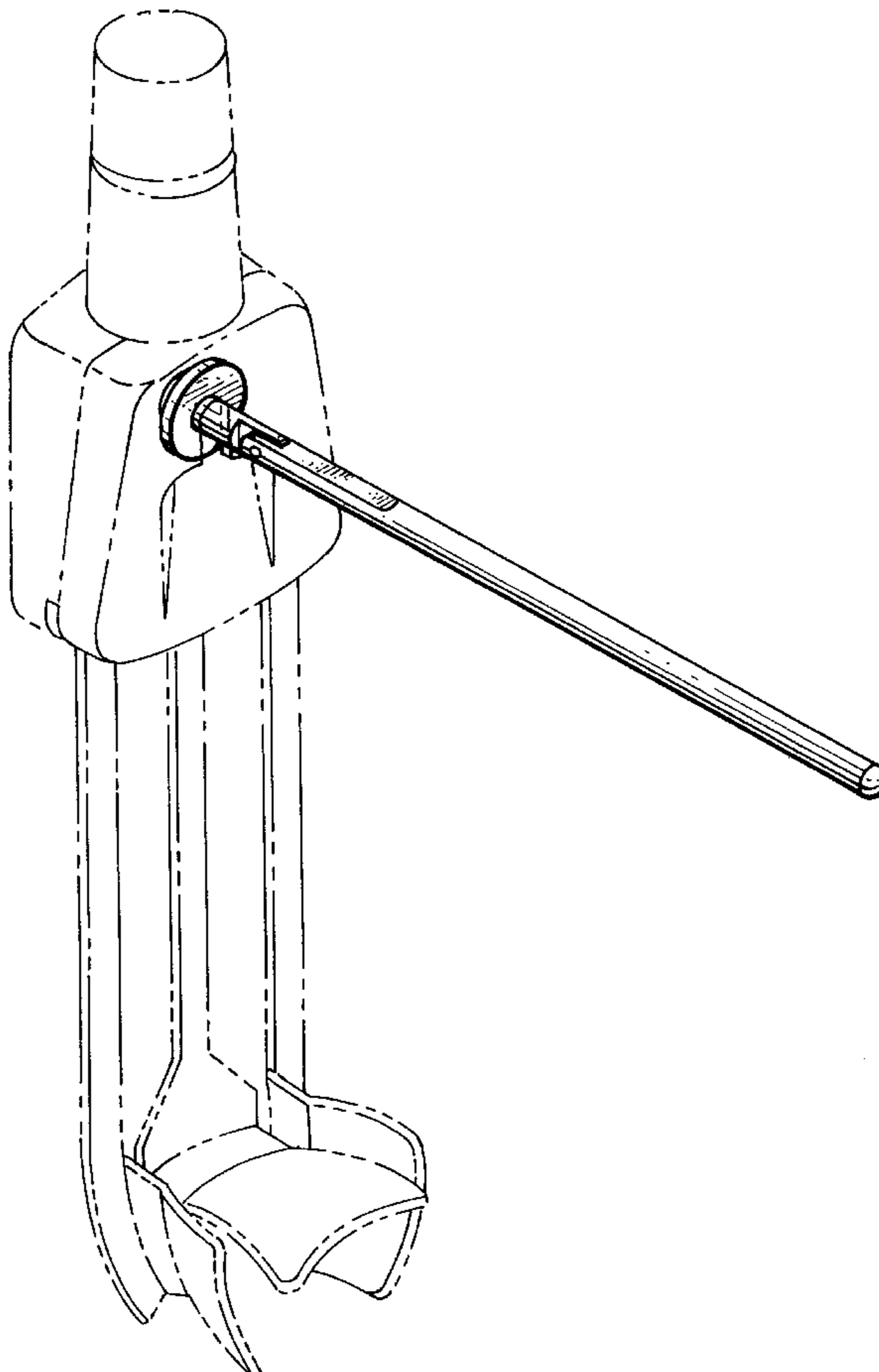
FIG. 6 is a rear elevational view thereof.

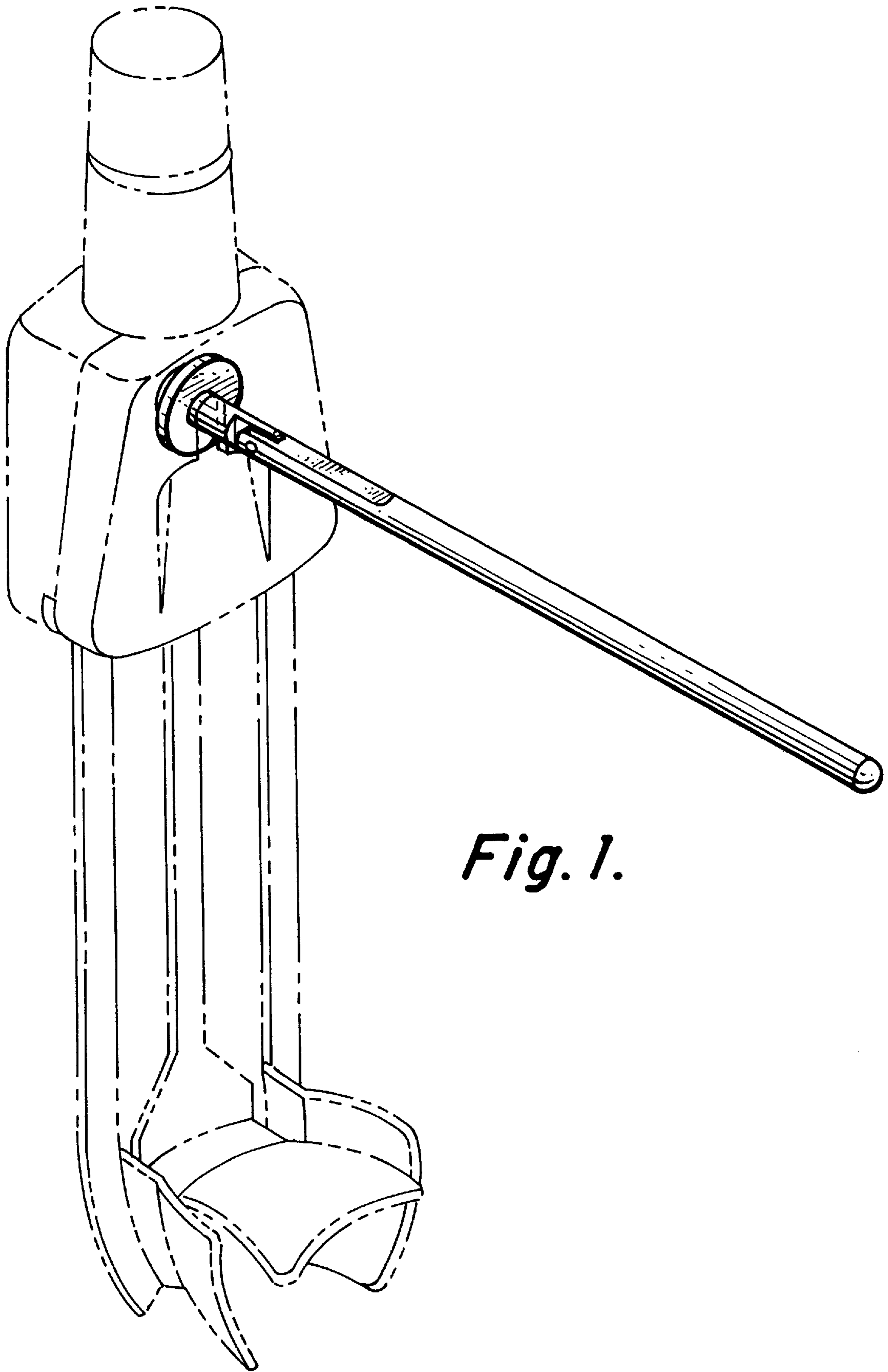
FIG. 7 is an isometric view of a second embodiment of a self-adjusting retractor support rod showing our new design, with the rod portion being identical to that shown in FIGS. 4, 5 and 6; and,

FIG. 8 is an isometric view of a third embodiment of a self-adjusting retractor support rod showing our new design, with the rod portion being identical to that shown in FIGS. 4, 5 and 6.

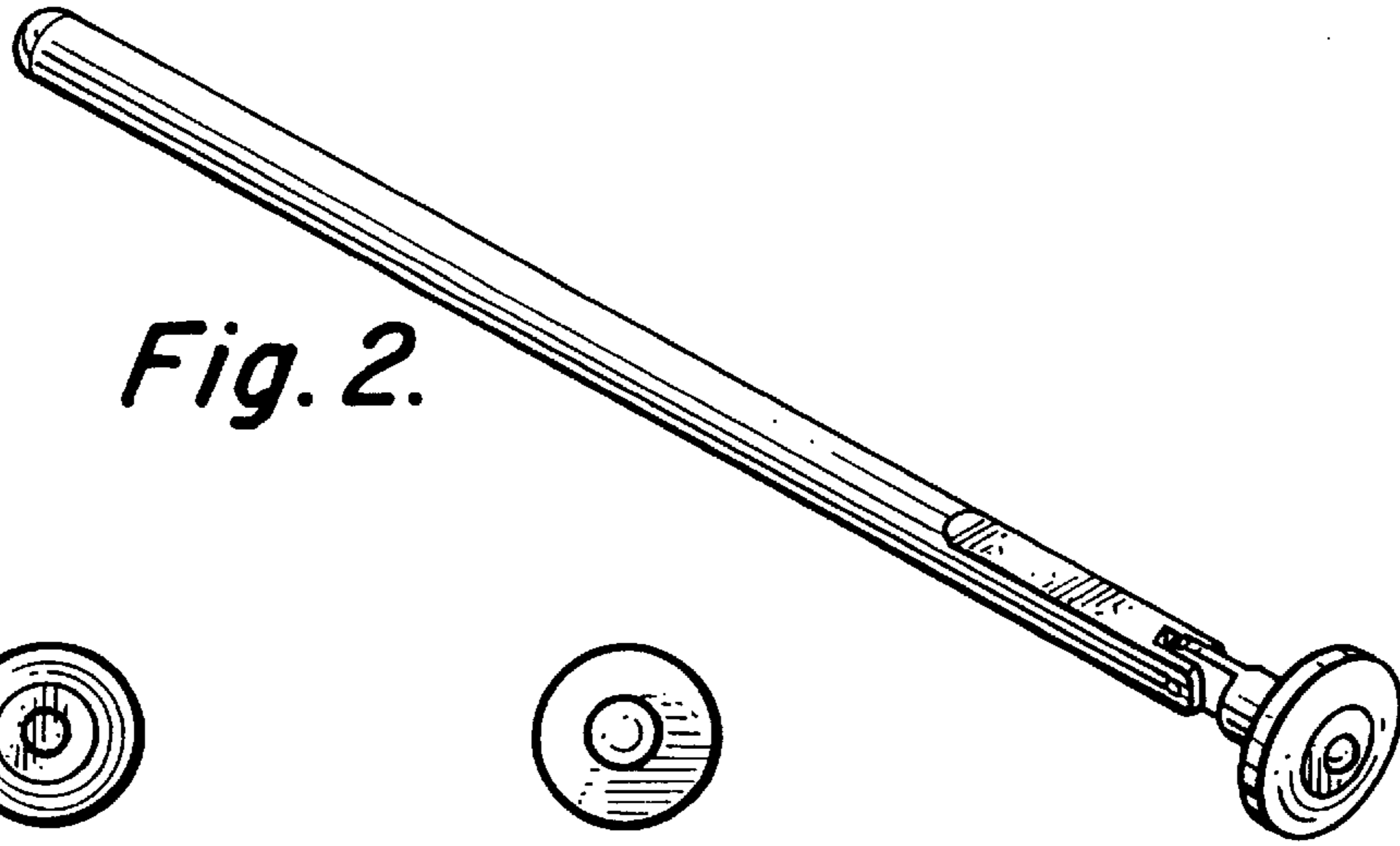
The broken line showing in FIG. 1 is for illustrative purposes only and forms no part of the claimed design.

1 Claim, 2 Drawing Sheets





*Fig. 1.*



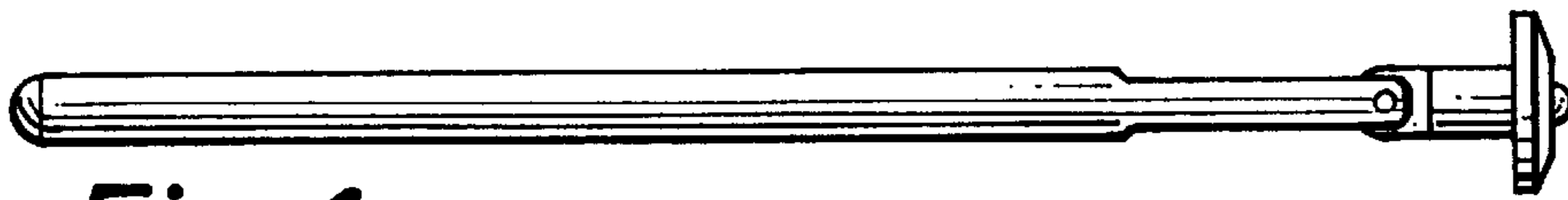
*Fig. 2.*



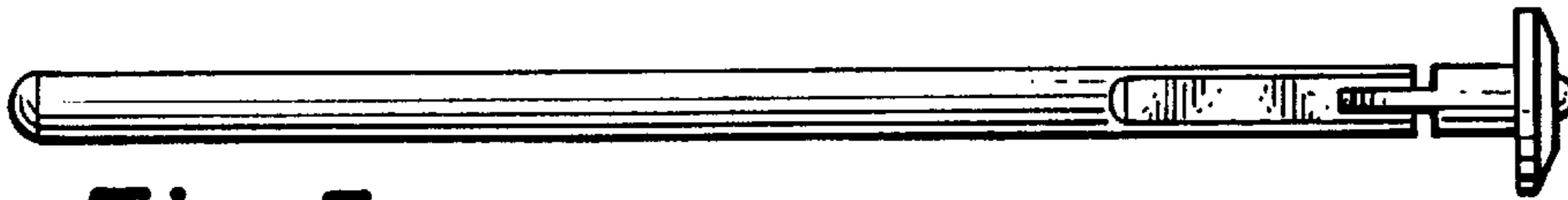
*Fig. 3.*



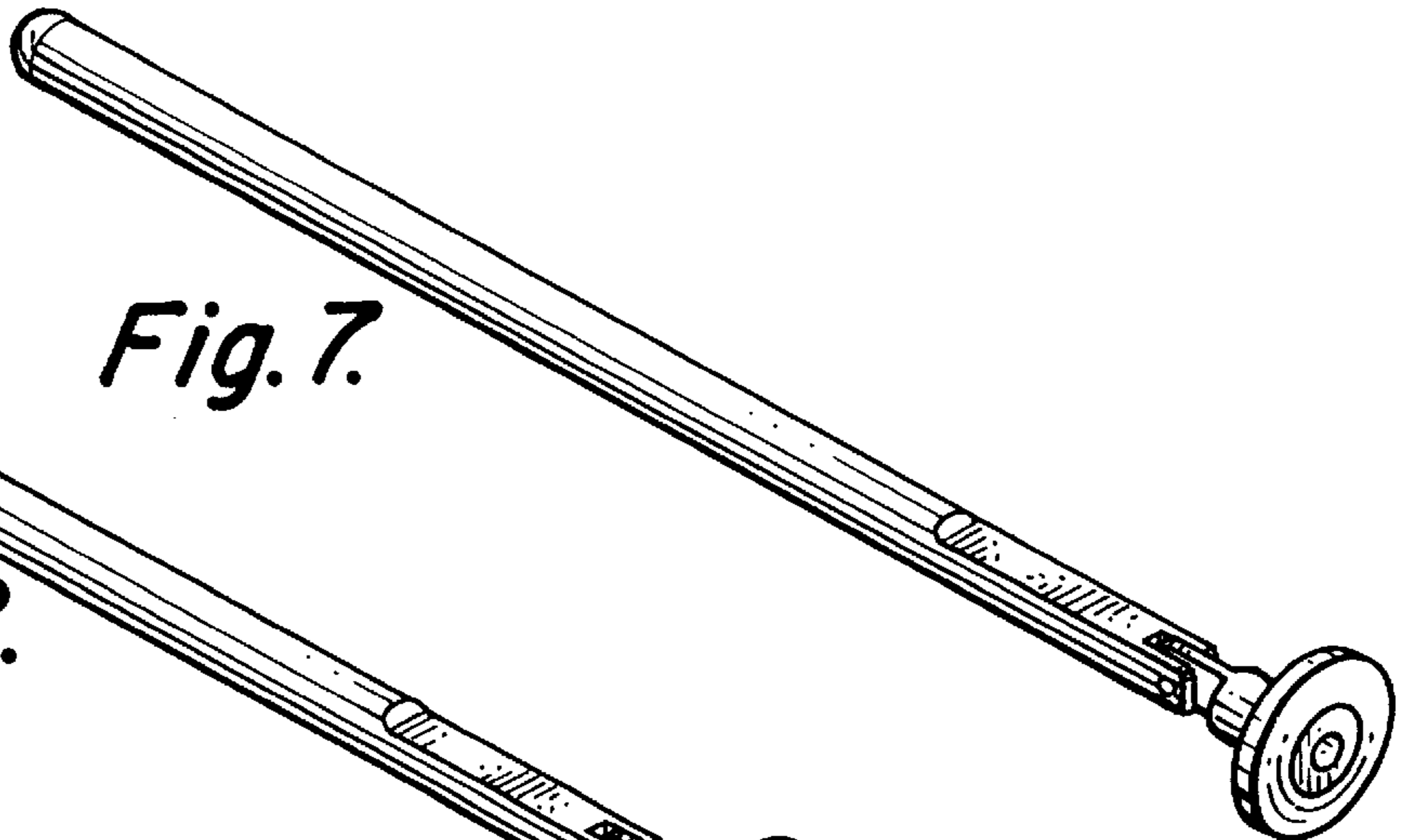
*Fig. 6.*



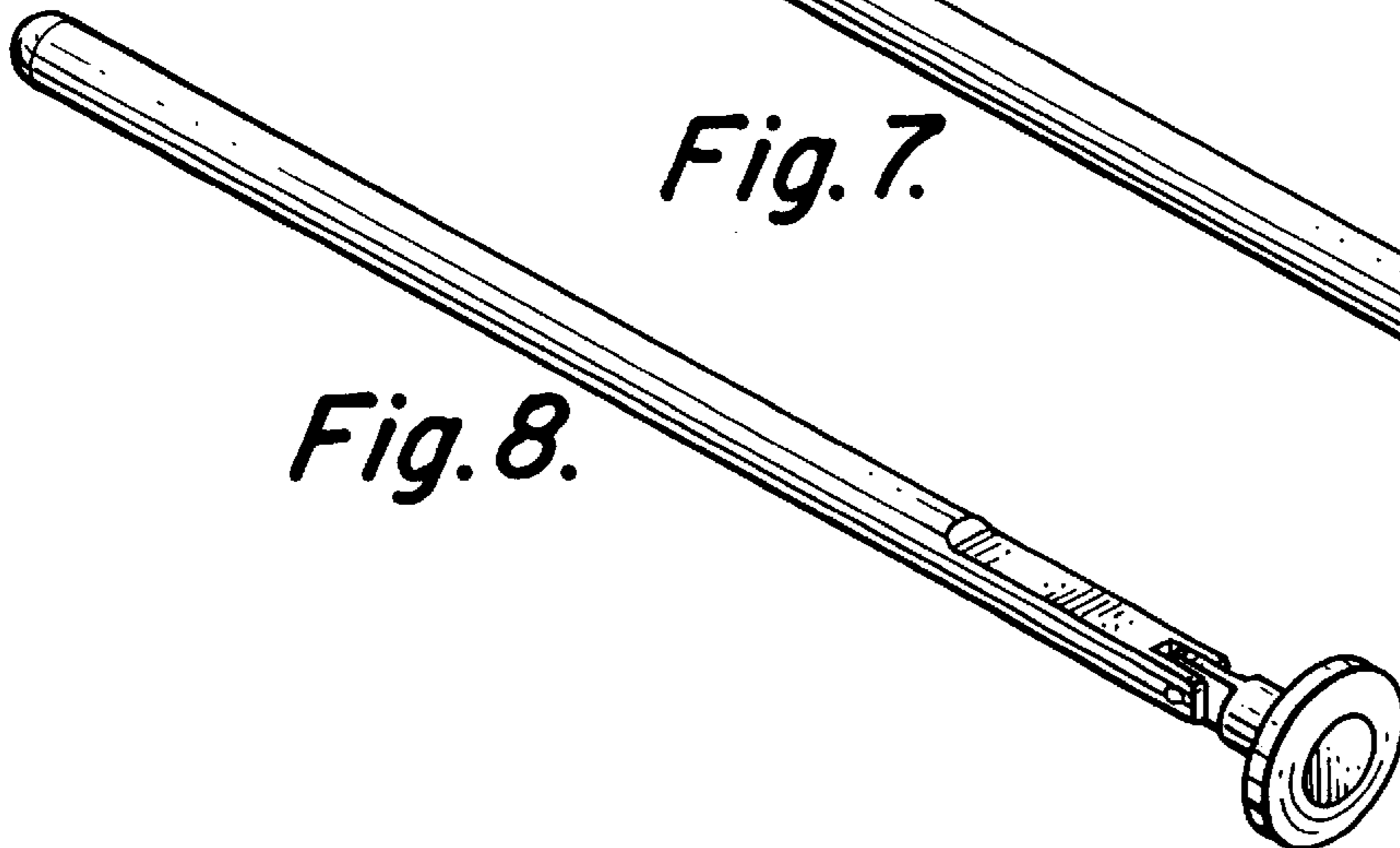
*Fig. 4.*



*Fig. 5.*



*Fig. 7.*



*Fig. 8.*