



US00D431650S

United States Patent [19]

[11] Patent Number: **Des. 431,650**

Guala et al.

[45] Date of Patent: **** *Oct. 3, 2000**

[54] **CLAMP FOR CLOSING FLEXIBLE HOSES OF INFUSION, TRANSFUSION MEDICAL EQUIPMENT**

5,035,399	7/1991	Rantanen-Lee	251/10
5,203,056	4/1993	Funk et al.	251/10
5,238,218	8/1993	Mackal	251/10

[75] Inventors: **Gianni Guala; Ernesto Guala**, both of Turin, Italy

Primary Examiner—Ian Simmons
Attorney, Agent, or Firm—Sughrue, Mion, Zinn Macpeak & Seas, PLLC

[73] Assignee: **Industrie Borla S.p.A.**, Turin, Italy

[57] CLAIM

[*] Notice: This patent is subject to a terminal disclaimer.

The ornamental design for a clamp for closing flexible hoses of infusion, transfusion medical equipment, as shown and described.

[**] Term: **14 Years**

DESCRIPTION

[21] Appl. No.: **29/098,974**

FIG. 1 is a perspective view of a clamp for closing flexible hoses of infusion, transfusion medical equipment and shows our design;

[22] Filed: **Jan. 8, 1999**

FIG. 2 is a left side view of the clamp for closing flexible hoses of infusion, transfusion medical equipment;

[30] Foreign Application Priority Data

Oct. 22, 1998 [IT] Italy T09800271

FIG. 3 is a front elevational view of the clamp for closing flexible hoses of infusion, transfusion medical equipment;

[51] **LOC (7) Cl.** **08-08**

[52] **U.S. Cl.** **D24/129**

FIG. 4 is a plan view from above of the clamp for closing flexible hoses of infusion, transfusion medical equipment;

[58] **Field of Search** D24/124, 128, D24/127; D8/396, 394, 395; 604/250, 34, 151, 152; 251/10, 7, 4, 6

FIG. 5 is a plan view from below of the clamp for closing flexible hoses of infusion, transfusion medical equipment;

[56] References Cited

U.S. PATENT DOCUMENTS

D. 298,216	10/1988	Eisenberg	D24/129
4,673,161	6/1987	Flynn et al.	251/10
4,802,650	2/1989	Stricker	604/250
4,834,702	5/1989	Rocco	604/250

FIG. 6 is a rear elevational view of the clamp for closing flexible hoses of infusion, transfusion medical equipment; and,

FIG. 7 is a right side view of the clamp for closing flexible hoses of infusion, transfusion medical equipment.

1 Claim, 2 Drawing Sheets

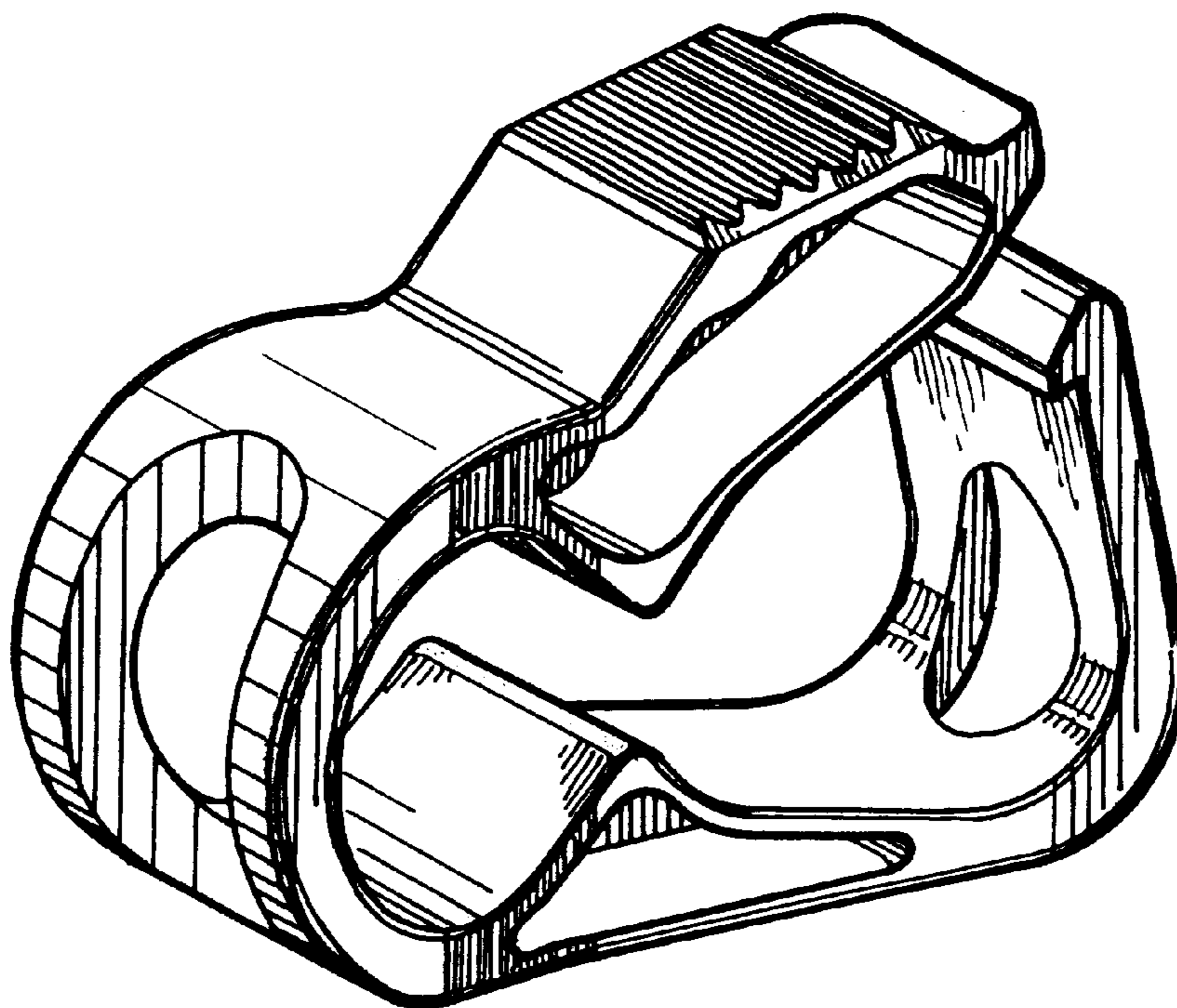


Fig. 1

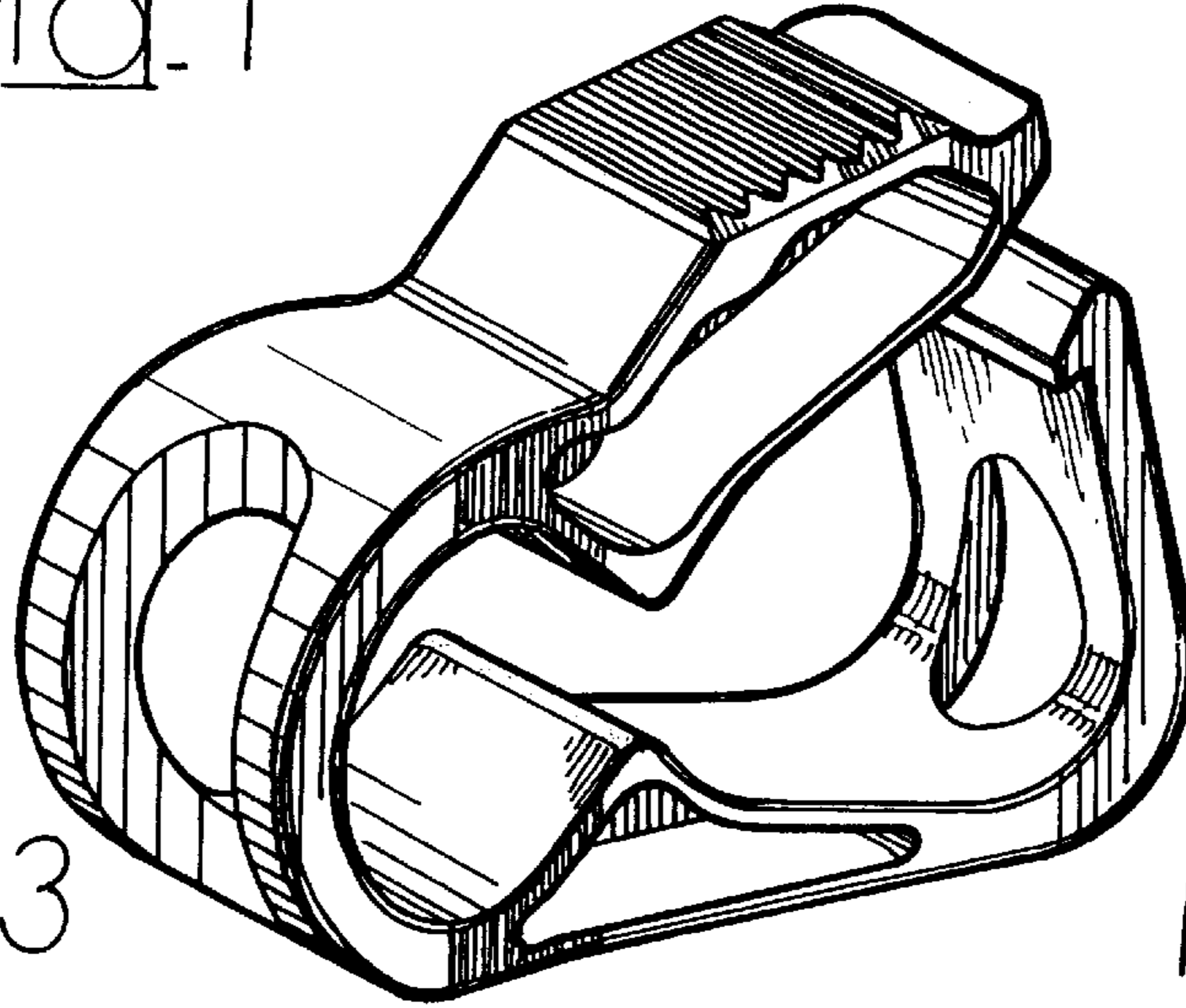


Fig. 3

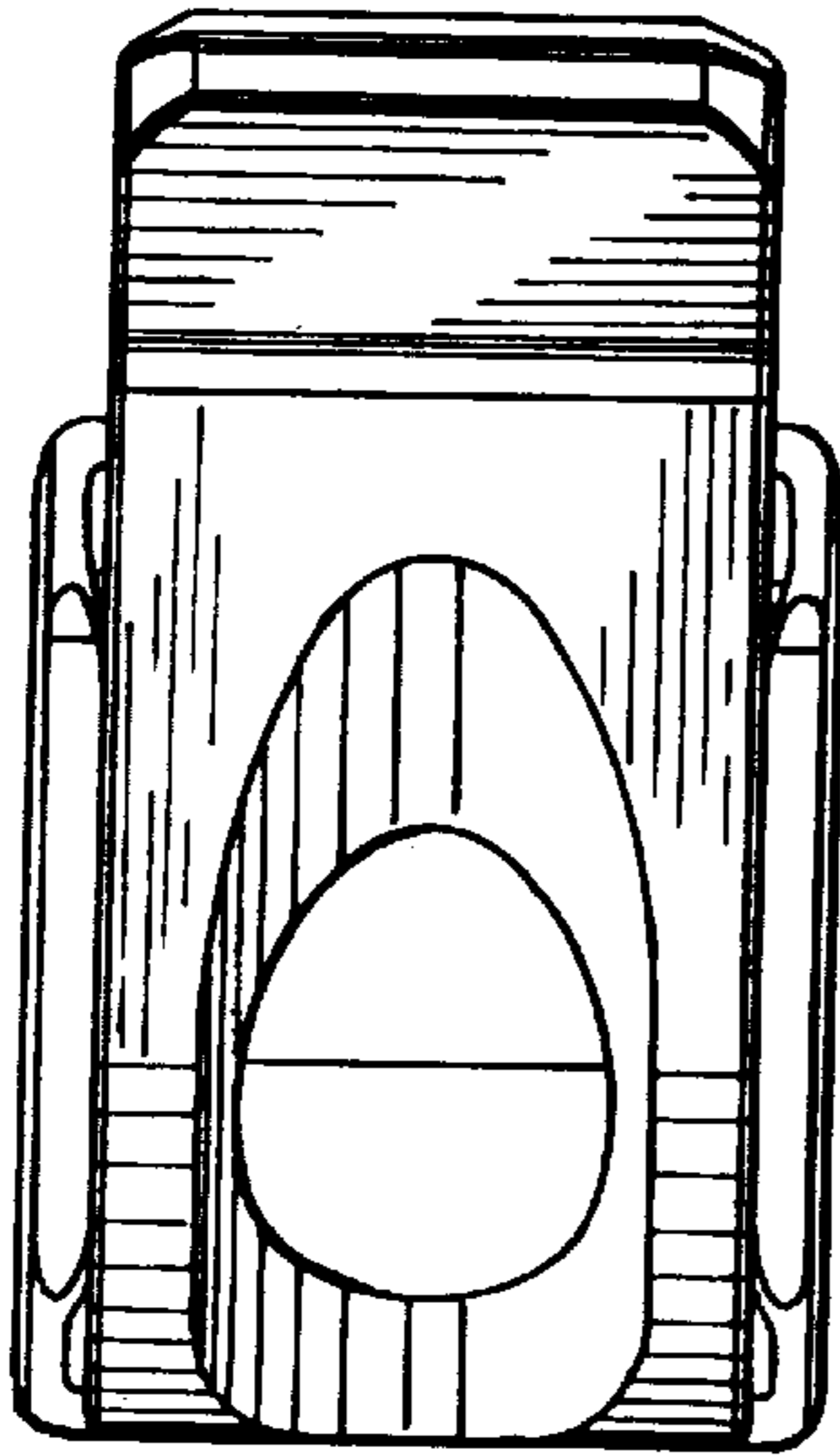


Fig. 2

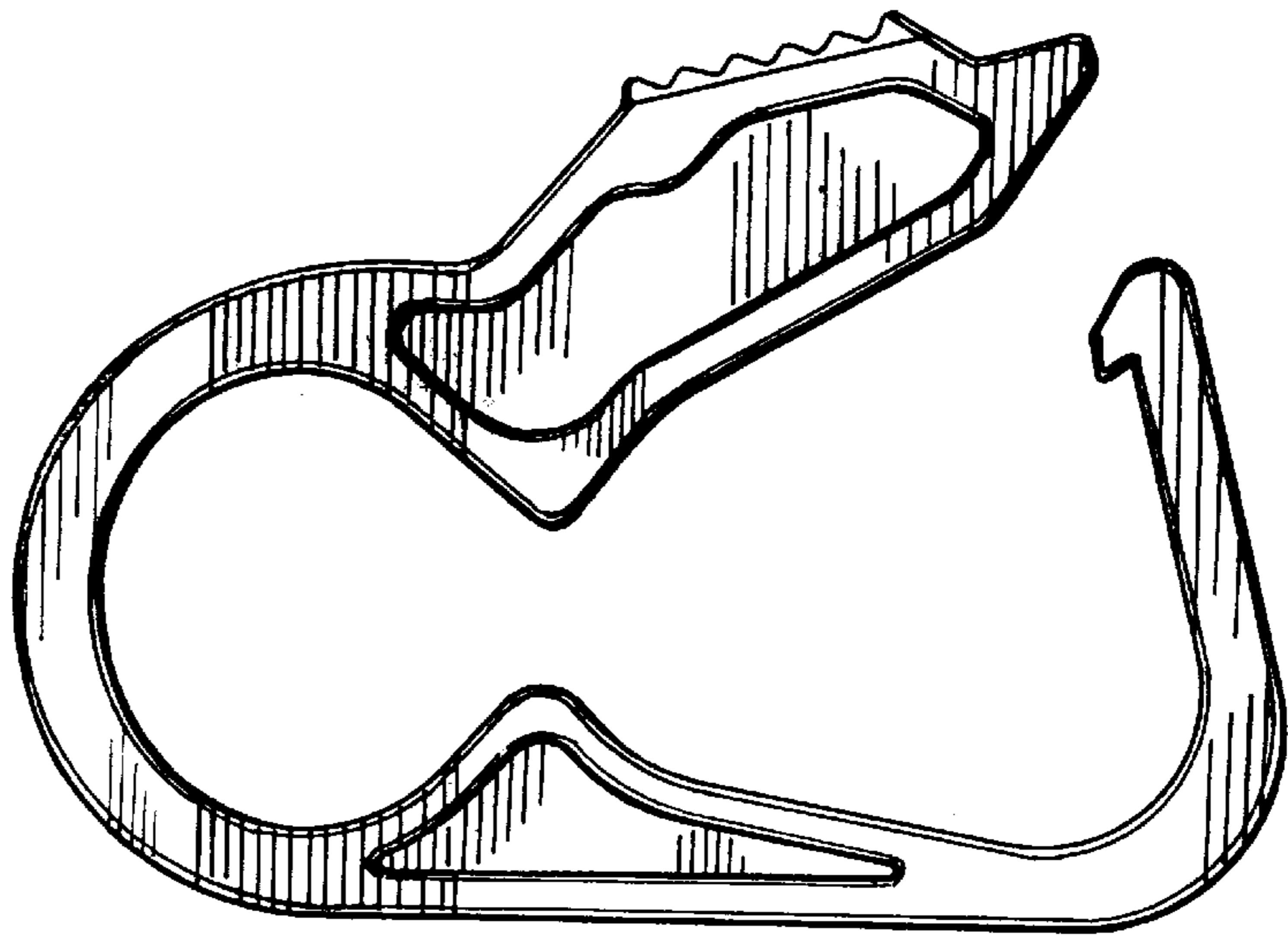


Fig. 4

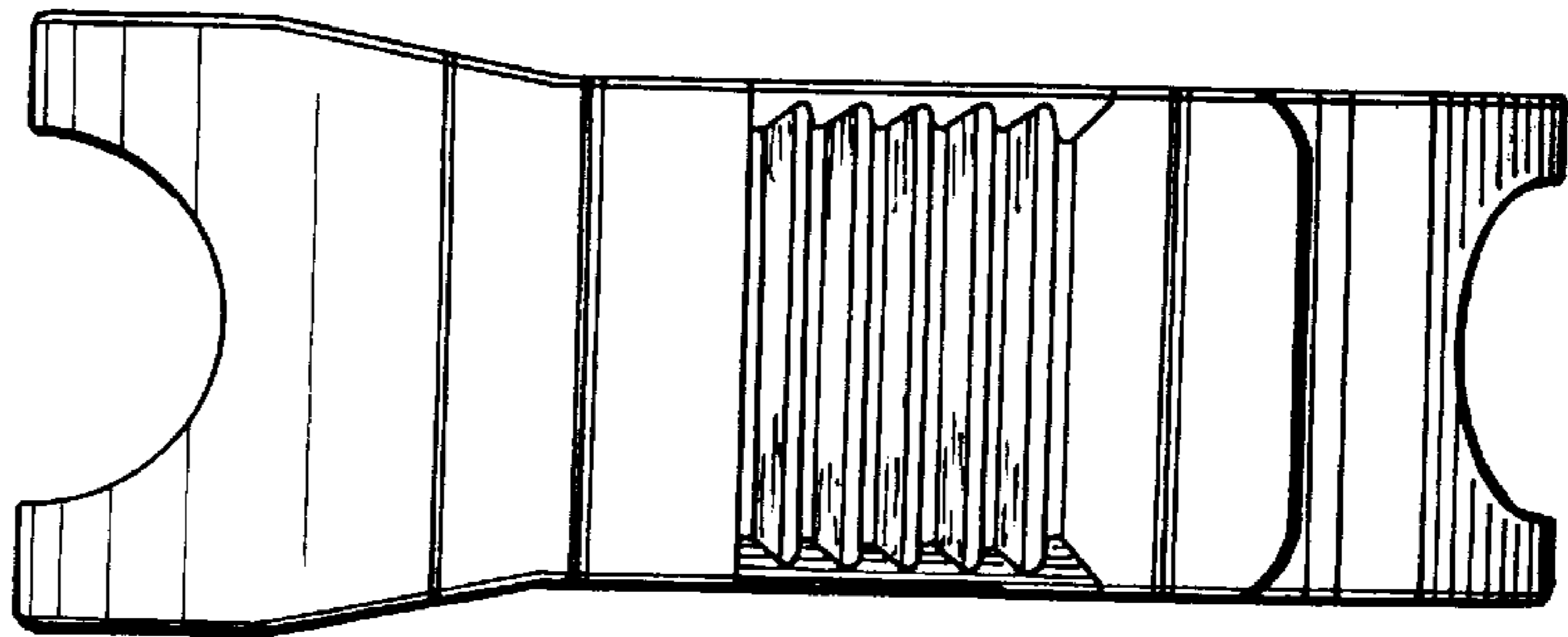


Fig. 5

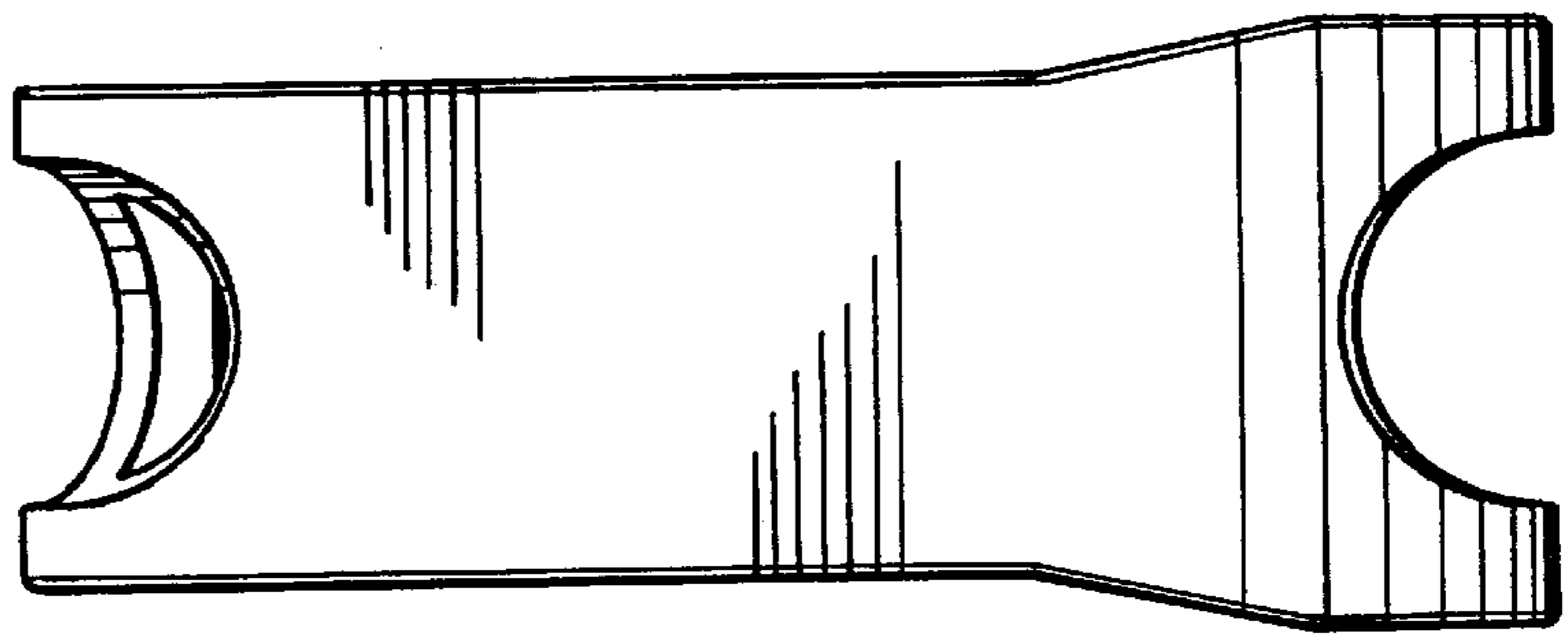


Fig. 6

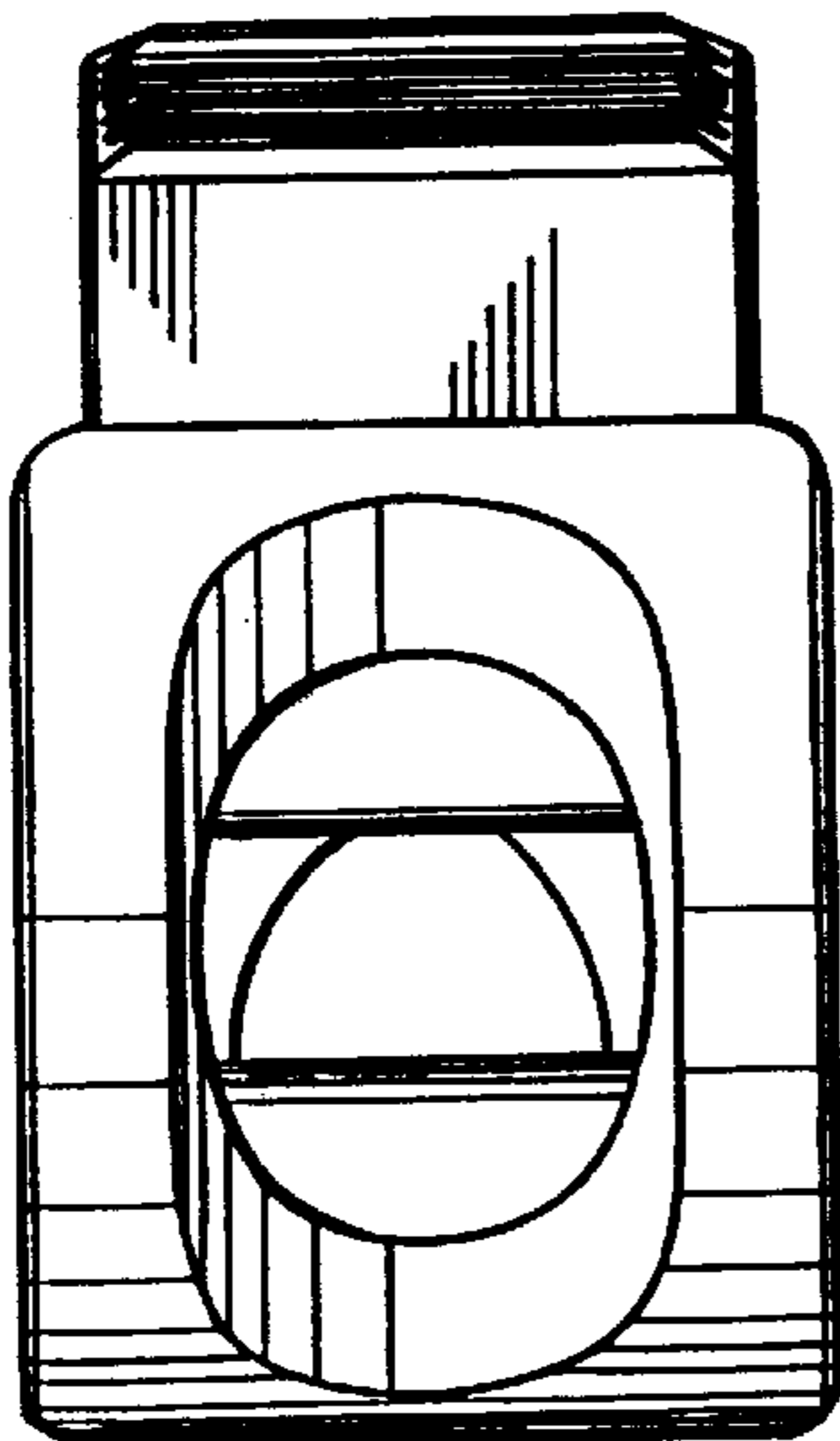


Fig. 7

