



US00D431648S

United States Patent [19]

[11] **Patent Number: Des. 431,648**

Jansen et al.

[45] **Date of Patent: ** Oct. 3, 2000**

[54] MEDICAL CONTAINER	5,114,030	5/1992	Conard	215/249
	5,429,256	7/1995	Kestenbaum	215/247
[75] Inventors: Hubert Jansen, Poisat; Jean-Claude Thibault, Saint Egreve, both of France	5,433,330	7/1995	Yatsko et al.	215/247
	5,925,029	7/1999	Jansen et al.	604/415

[73] Assignee: **Becton Dickinson and Company, Franklin Lakes, N.J.**

Primary Examiner—Ian Simmons
Attorney, Agent, or Firm—Allen W. Wark

[**] Term: **14 Years**

[57] **CLAIM**

[21] Appl. No.: **29/102,898**

We claim the ornamental design for the medical container, as shown.

[22] Filed: **Apr. 2, 1999**

DESCRIPTION

[51] **LOC (7) Cl.** **24-04**

[52] **U.S. Cl.** **D24/121; D9/503**

[58] **Field of Search** D24/121, 224;
D9/503, 500, 538; 422/102; 604/415, 905,
414, 416; 215/247, 246, 249

FIG. 1 is a top, front and side perspective view of the present invention;

FIG. 2 is a top plan view of FIG. 1 thereof;

FIG. 3 is a bottom plan view of FIG. 1 thereof; and,

FIG. 4 is a front elevational view of FIG. 1 thereof.

[56] **References Cited**

U.S. PATENT DOCUMENTS

D. 379,151 5/1997 Stevens D9/503

1 Claim, 3 Drawing Sheets

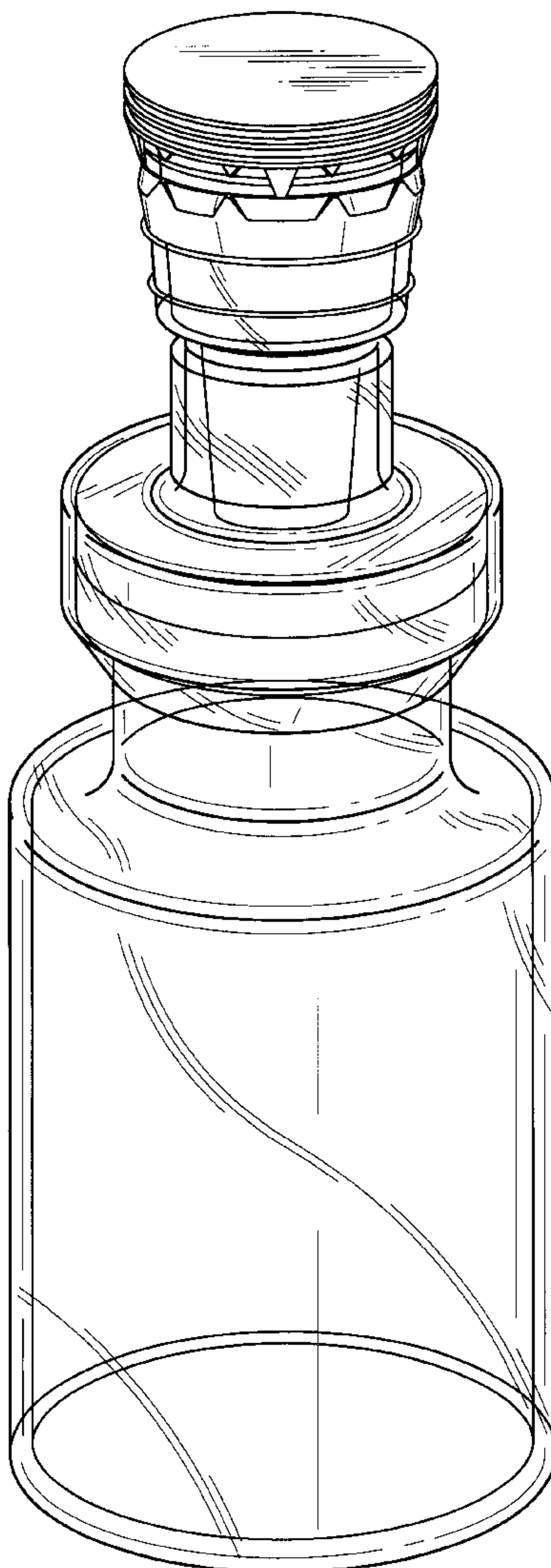


FIG-1

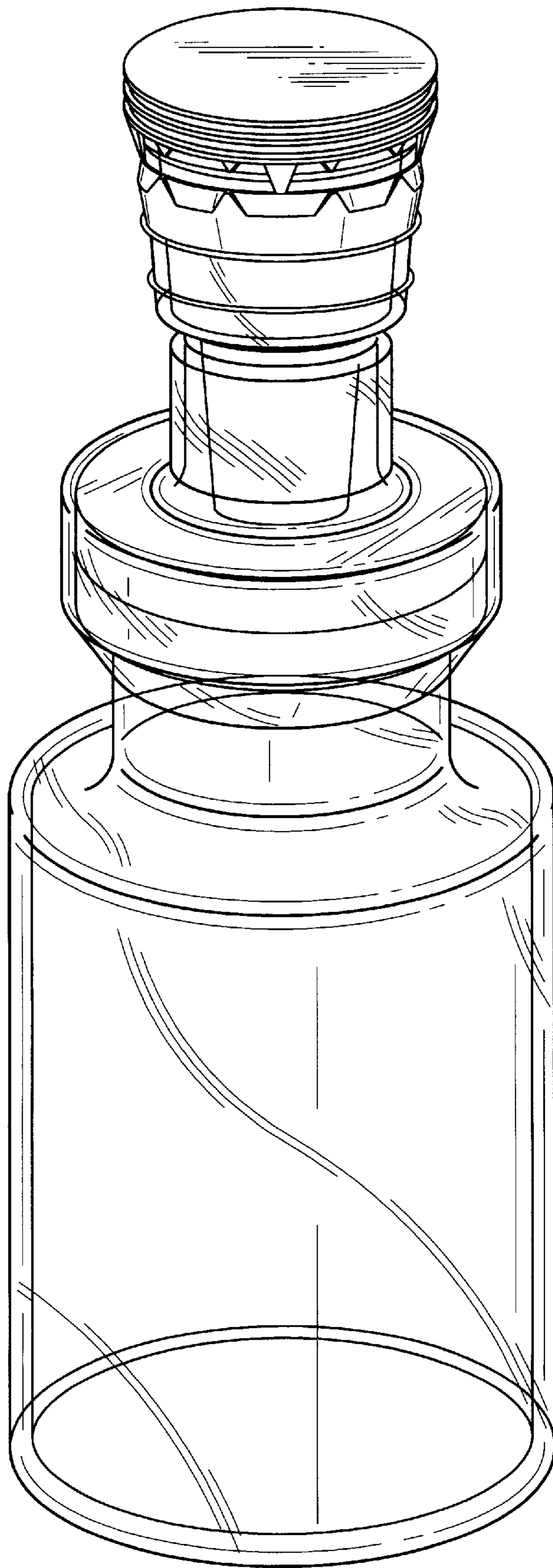


FIG-2

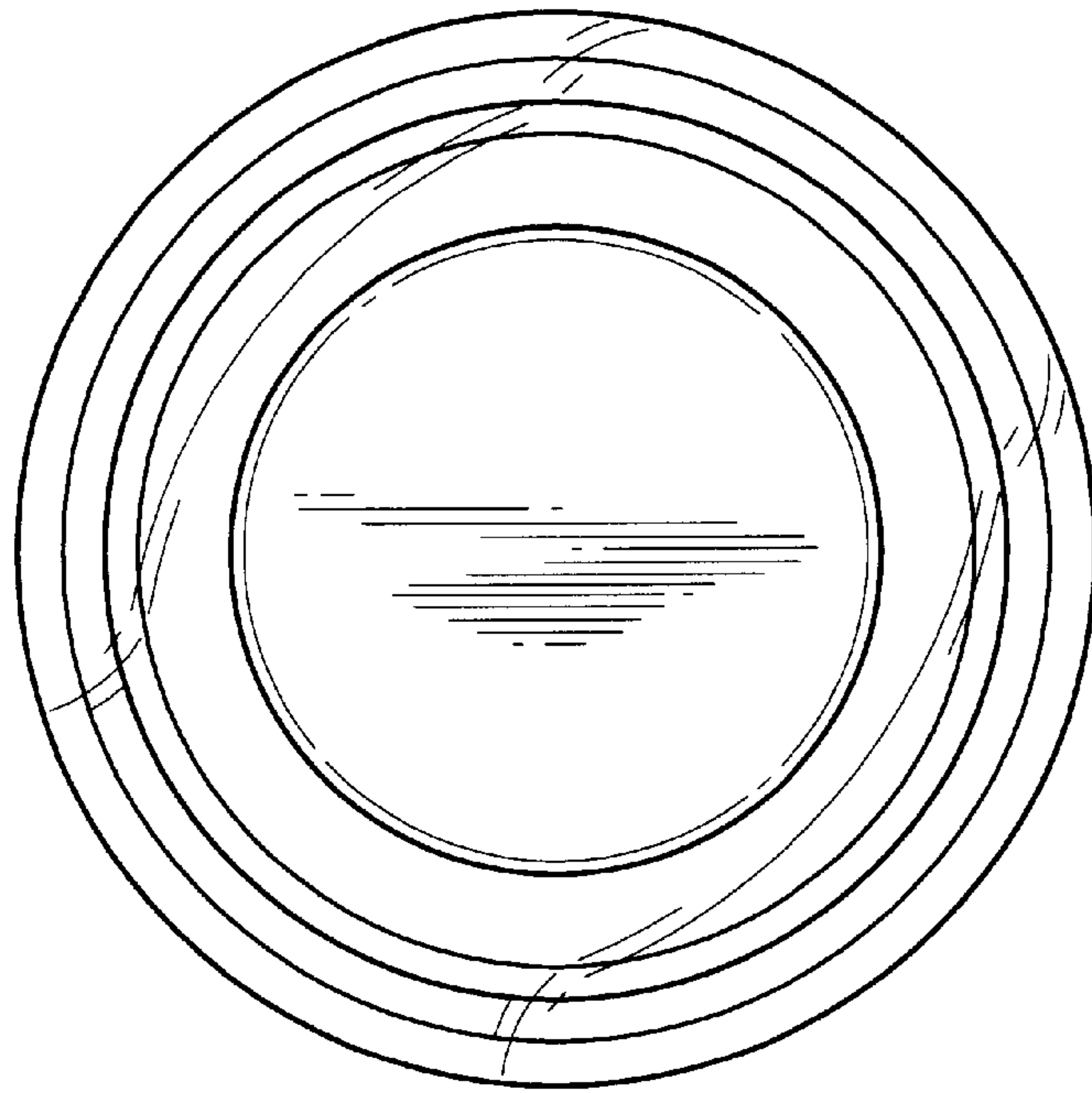


FIG-3

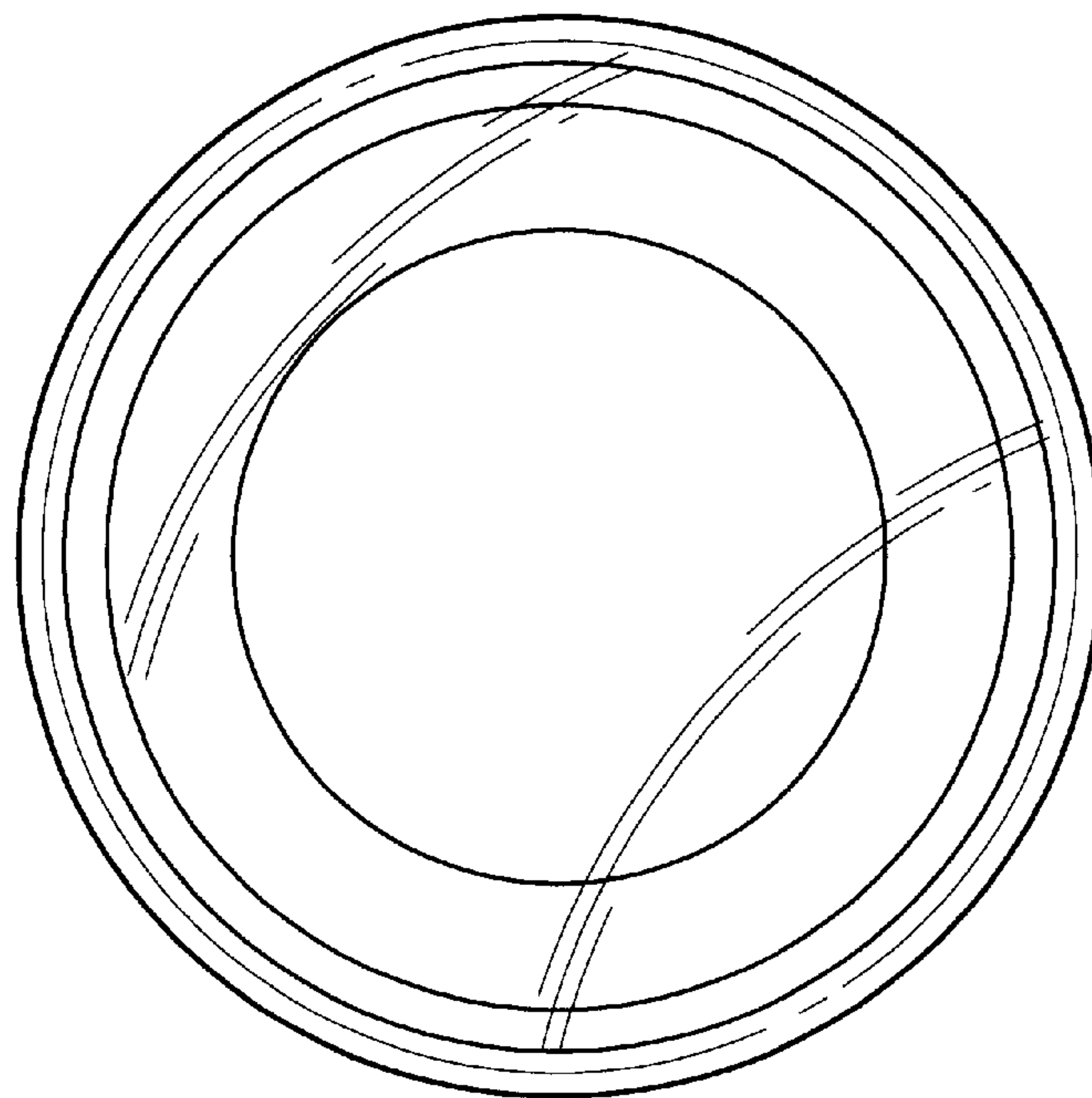


FIG-4

