



US00D431642S

# United States Patent [19] Rakocy

[11] **Patent Number: Des. 431,642**

[45] **Date of Patent: \*\* Oct. 3, 2000**

[54] **HUMIDIFIER**

[75] Inventor: **William Rakocy**, Madison, Conn.

[73] Assignee: **Holmes Products Corp.**, Milford, Mass.

[\*\*] Term: **14 Years**

[21] Appl. No.: **29/108,629**

[22] Filed: **Jul. 30, 1999**

[51] **LOC (7) Cl.** ..... **23-04**

[52] **U.S. Cl.** ..... **D23/356**

[58] **Field of Search** ..... D23/356-363;  
392/406, 403, 394; 261/107, DIG. 65, 104,  
DIG. 48, 81, 191; 422/120, 123

[56] **References Cited**

**U.S. PATENT DOCUMENTS**

D. 358,461	5/1995	Barker et al.	.....	D23/356
D. 378,607	3/1997	Chiu et al.	.....	D23/356
D. 402,744	12/1998	Zuege	.....	D23/356

**OTHER PUBLICATIONS**

Holmes manufacturer's literature concerning 1996-97 Humidifier Line; Place of Publication: United States; Date of Publication: Unknown.

Holmes manufacturer's literature concerning 1999 Humidifier Line; Place of Publication: United States; Date of Publication: Unknown.

Holmes 1999/2000 Competitive Grid for Humidifiers; Place of Publication United States; Date of Publication: Unknown.

*Primary Examiner*—Lisa Lichtenstein  
*Attorney, Agent, or Firm*—Hoffmann & Baron, LLP;  
Francis E. Marino

[57] **CLAIM**

The ornamental design of a humidifier, as shown and described.

**DESCRIPTION**

FIG. 1 is a top perspective view of humidifier showing my new design;

FIG. 2 is a front elevation view thereof;

FIG. 3 is a top plan view thereof; and,

FIG. 4 is a side elevation view thereof, the opposite side being a mirror image thereof.

The rear and bottom view of the embodiment form no part of the claimed design. The broken line showing of environmental structure in FIGS. 1-4 is for illustrative purposes only and forms no part of the claimed design.

**1 Claim, 4 Drawing Sheets**

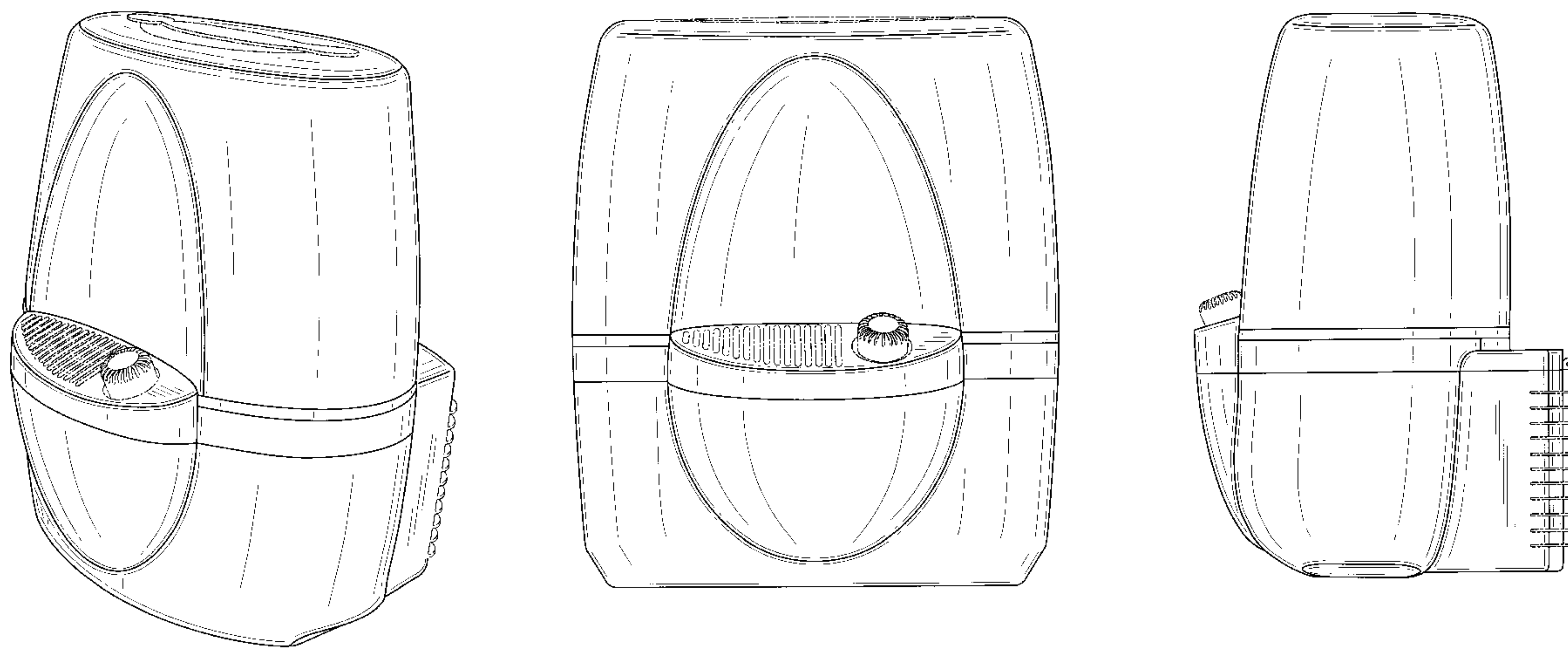


FIG - 1

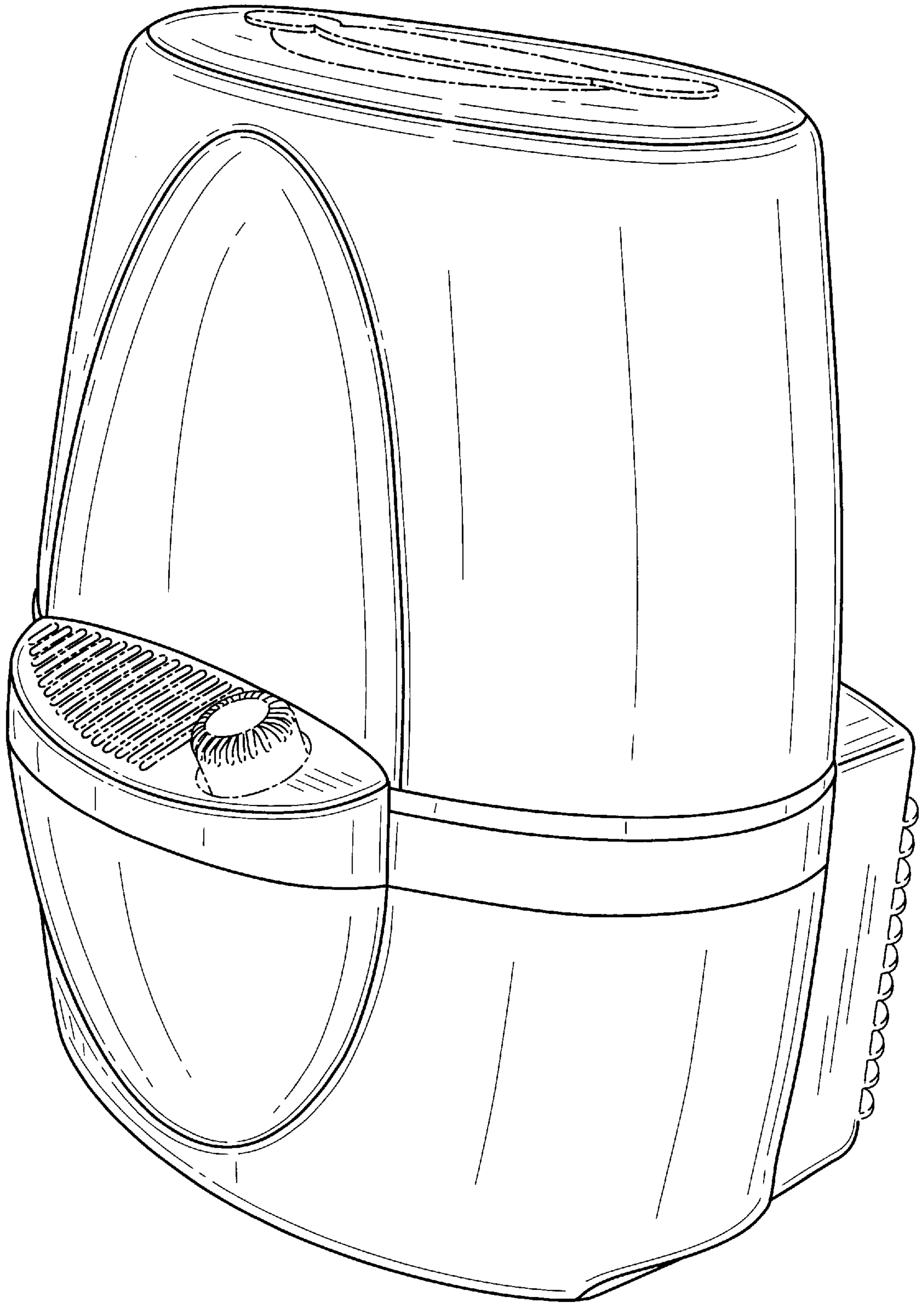


FIG - 2

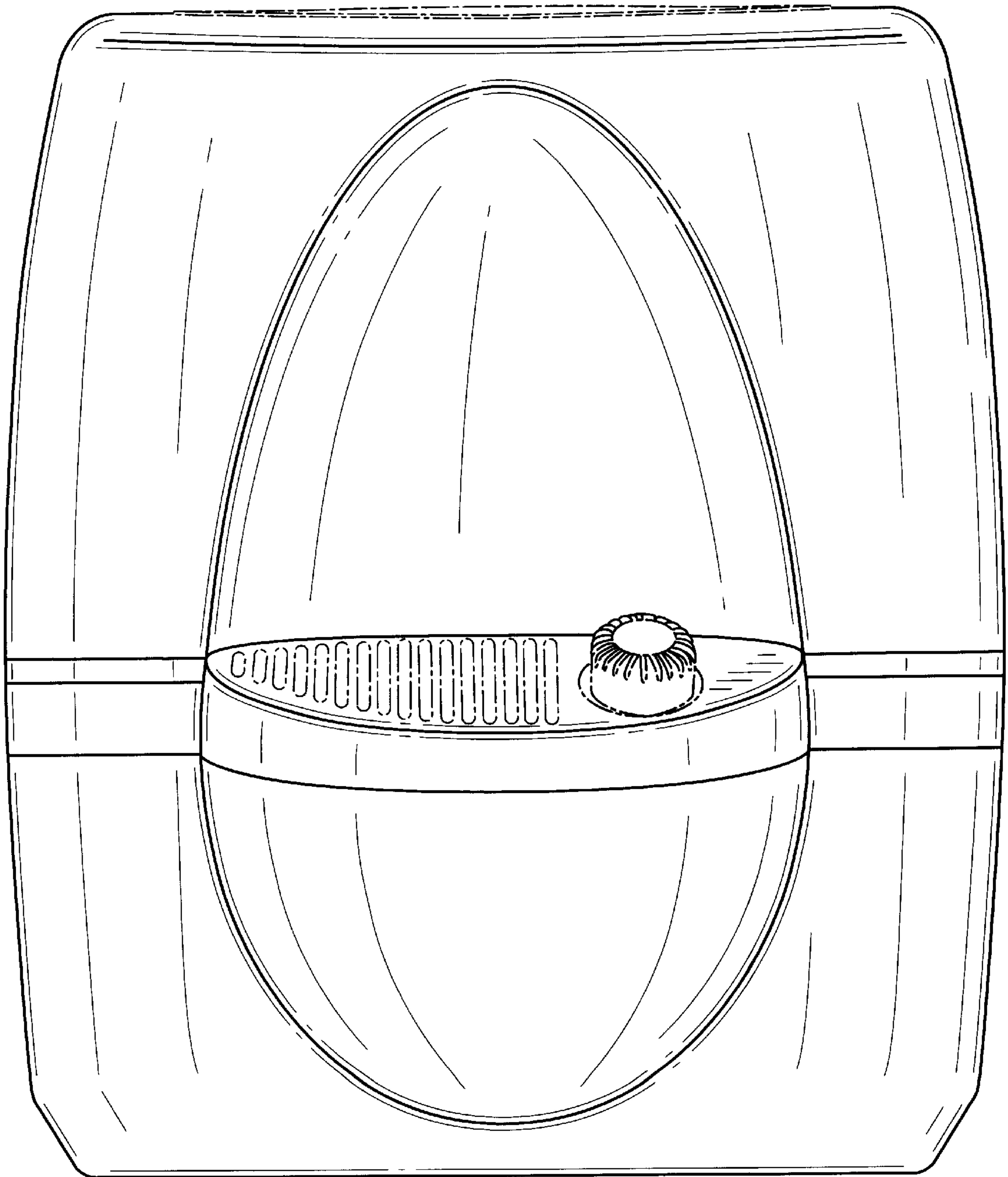


FIG - 3

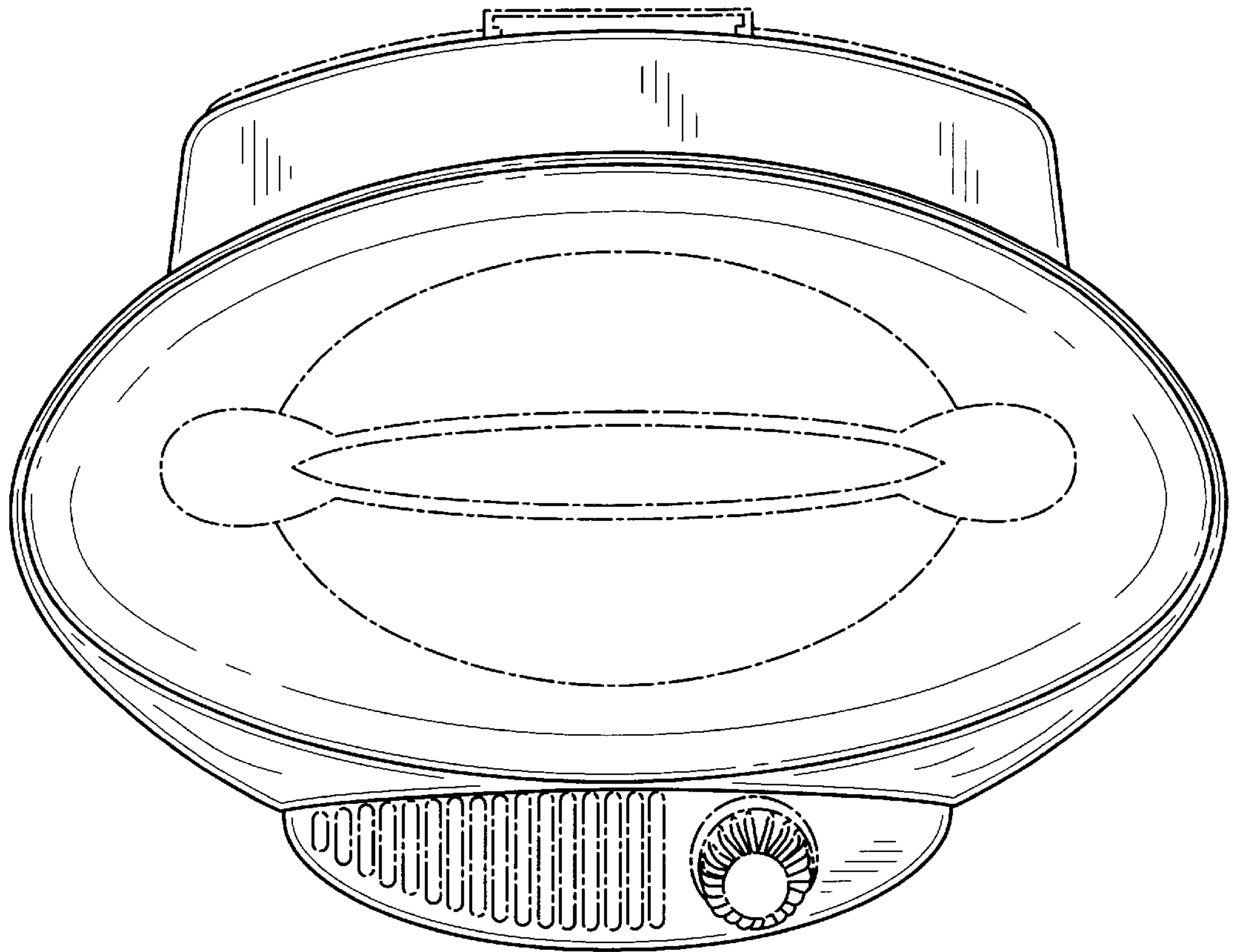


FIG - 4

