



US00D431636S

United States Patent [19]
O'Connell et al.

[11] **Patent Number: Des. 431,636**
[45] **Date of Patent: ** Oct. 3, 2000**

[54] **COMBINED COOKING SINK AND CONTROL UNIT**

[75] Inventors: **David J. O'Connell; Mary J. Reid,**
both of Sheboygan, Wis.

[73] Assignee: **Kohler Co.,** Kohler, Wis.

[**] Term: **14 Years**

[21] Appl. No.: **29/102,694**

[22] Filed: **Mar. 30, 1999**

[51] **LOC (7) Cl.** **23-01**

[52] **U.S. Cl.** **D23/272; D7/346**

[58] **Field of Search** D23/284-293.1,
D23/303-311, 270-274; D7/343-347, 339;
4/619, 624, 625, 638-650

[56] **References Cited**

U.S. PATENT DOCUMENTS

D. 285,280 8/1986 Fischer et al. D7/346
D. 320,263 9/1991 Kohler, Jr. et al. D23/293.1

(List continued on next page.)

OTHER PUBLICATIONS

Undated Abbaka catalog ad showing a "C380D" kitchen sink.

(List continued on next page.)

Primary Examiner—Eric Watterson

Attorney, Agent, or Firm—Quarles & Brady LLP

[57] **CLAIM**

The ornamental design for a combined cooking sink and control unit, therefor as shown and described.

DESCRIPTION

FIG. 1 is a right, top, front perspective view of a combined cooking sink and control unit embodying our new design; FIG. 2 is a top plan view thereof; FIG. 3 is a front elevational view thereof; FIG. 4 is a left side elevational view thereof; FIG. 5 is a rear elevational view thereof; FIG. 6 is a right side elevational view thereof;

FIG. 7 is a cross-sectional view taken along line 7—7 of FIG. 2;

FIG. 8 is a top plan view of a second embodiment, the front elevational view being a mirror image of that shown in FIG. 3, the right side elevational view being a mirror image of that shown in FIG. 4, the rear elevational view being a mirror image of that shown in FIG. 5, and the left side elevational view being a mirror image of that shown in FIG. 6;

FIG. 9 is a right, top, front perspective view of a third embodiment;

FIG. 10 is a top plan view thereof;

FIG. 11 is a front elevational view thereof;

FIG. 12 is a left side elevational view thereof;

FIG. 13 is a rear elevational view thereof;

FIG. 14 is a right side elevational view thereof;

FIG. 15 is a top plan view of a fourth embodiment, the front elevational view being a mirror image of that shown in FIG. 11, the right side elevational view being a mirror image of that shown in FIG. 12, the rear elevational view being a mirror image of that shown in FIG. 13, and the left side elevational view being a mirror image of that shown in FIG. 14;

FIG. 16 is a right, top, front perspective view of a fifth embodiment;

FIG. 17 is a top plan view thereof;

FIG. 18 is a front elevational view thereof;

FIG. 19 is a left side elevational view thereof;

FIG. 20 is a rear elevational view thereof;

FIG. 21 is a right side elevational view thereof;

FIG. 22 is a right, top, front perspective view of a sixth embodiment;

FIG. 23 is a top plan view thereof;

FIG. 24 is a front elevational view thereof;

FIG. 25 is a left side elevational view thereof;

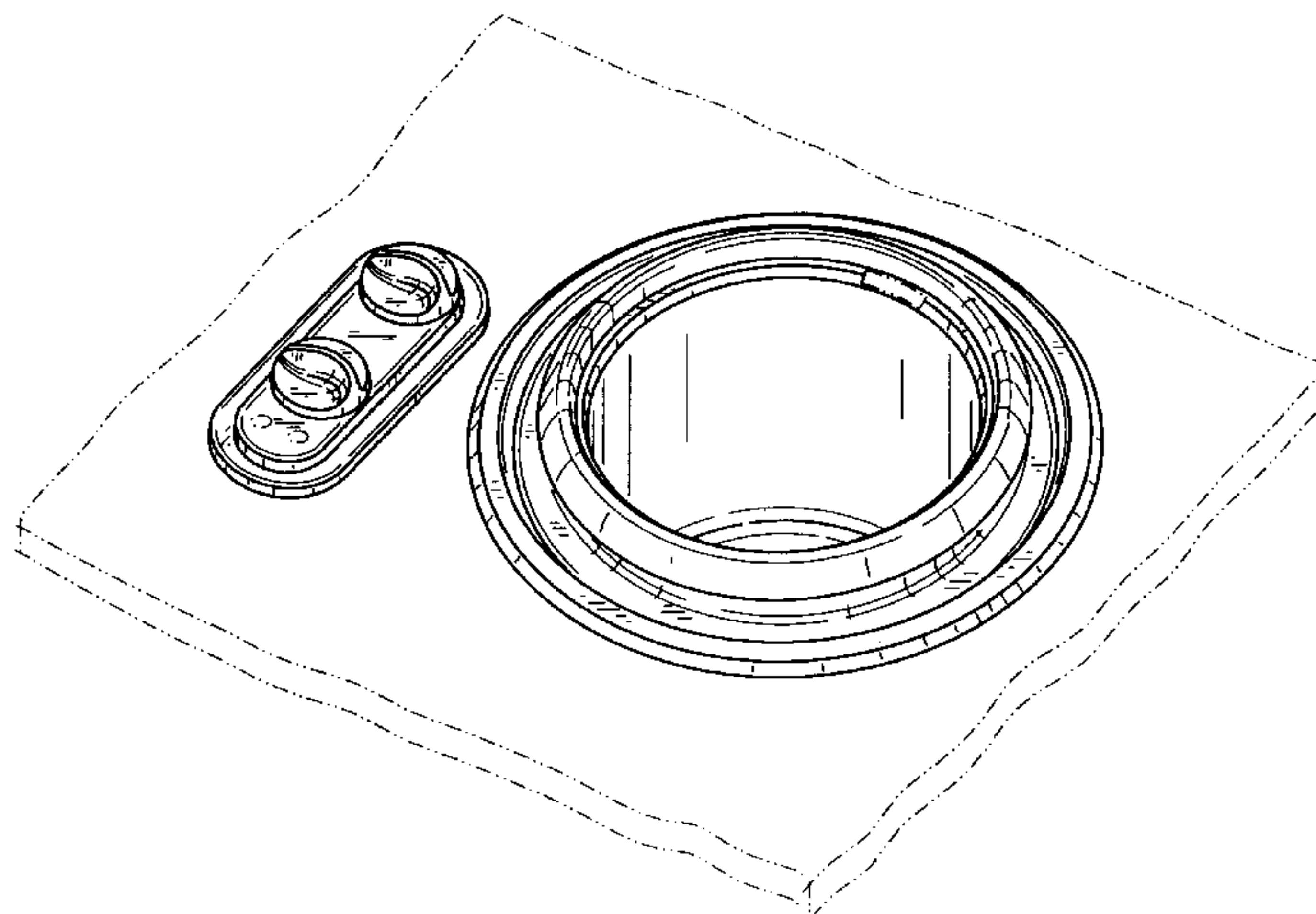
FIG. 26 is a rear elevational view thereof;

FIG. 27 is a right side elevational view thereof; and,

FIG. 28 is a top plan view of a seventh embodiment, the front elevational view being a mirror image of that shown in FIG. 24, the left side elevational view being identical to that shown in FIG. 25, the rear elevational view being a mirror image of that shown in FIG. 26, and the right side elevational view being identical to that shown in FIG. 27.

The broken line representations of non-ornamental structure in FIGS. 3-7, 11-14, 18-21 and 24-27, of a drain in FIGS. 2, 7, 8, 10, 15, 17, 23, and 28, of holes in FIGS. 1, 2, 8-10, 15-17, 22, 23, and 28, and of a mounting environment in FIGS. 1-28 are for the purpose of illustration only, and form no part of the claimed design.

1 Claim, 21 Drawing Sheets



Des. 431,636

Page 2

U.S. PATENT DOCUMENTS

D. 326,387 5/1992 Monitto et al. D7/346
D. 376,066 12/1996 Taniguchi et al. D7/339
D. 393,567 4/1998 Ashcraft et al. D7/346
D. 400,237 10/1998 Millard et al. D23/293.1

OTHER PUBLICATIONS

Undated Idea catalog ad, p. 119, showing counter top food warmers.
1998 Kohler catalog ad, p. 2.68, showing "Mastershower" valves.
1993 Franke catalog ad, p. 22, showing a kitchenette.

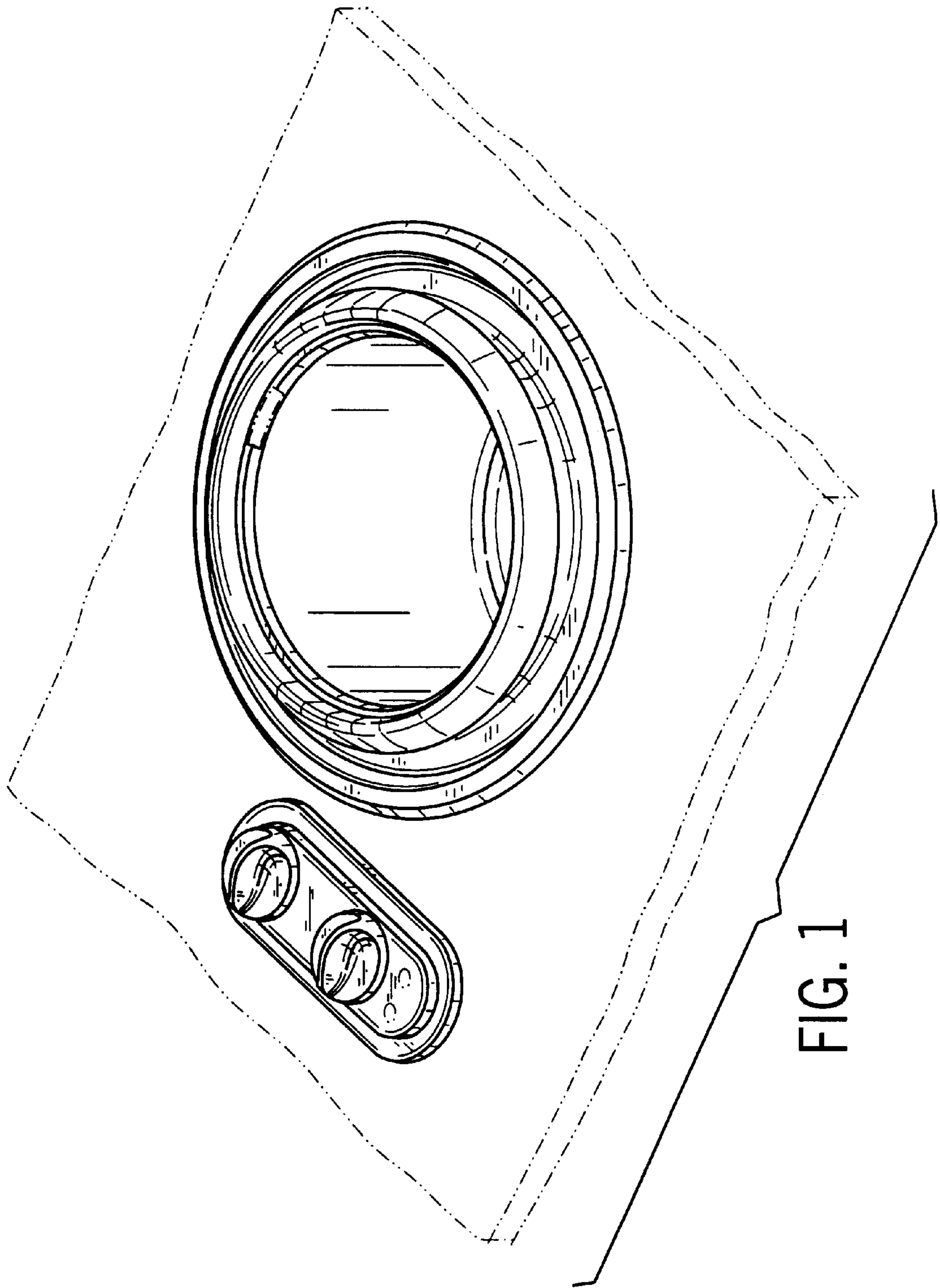


FIG. 1

FIG. 2

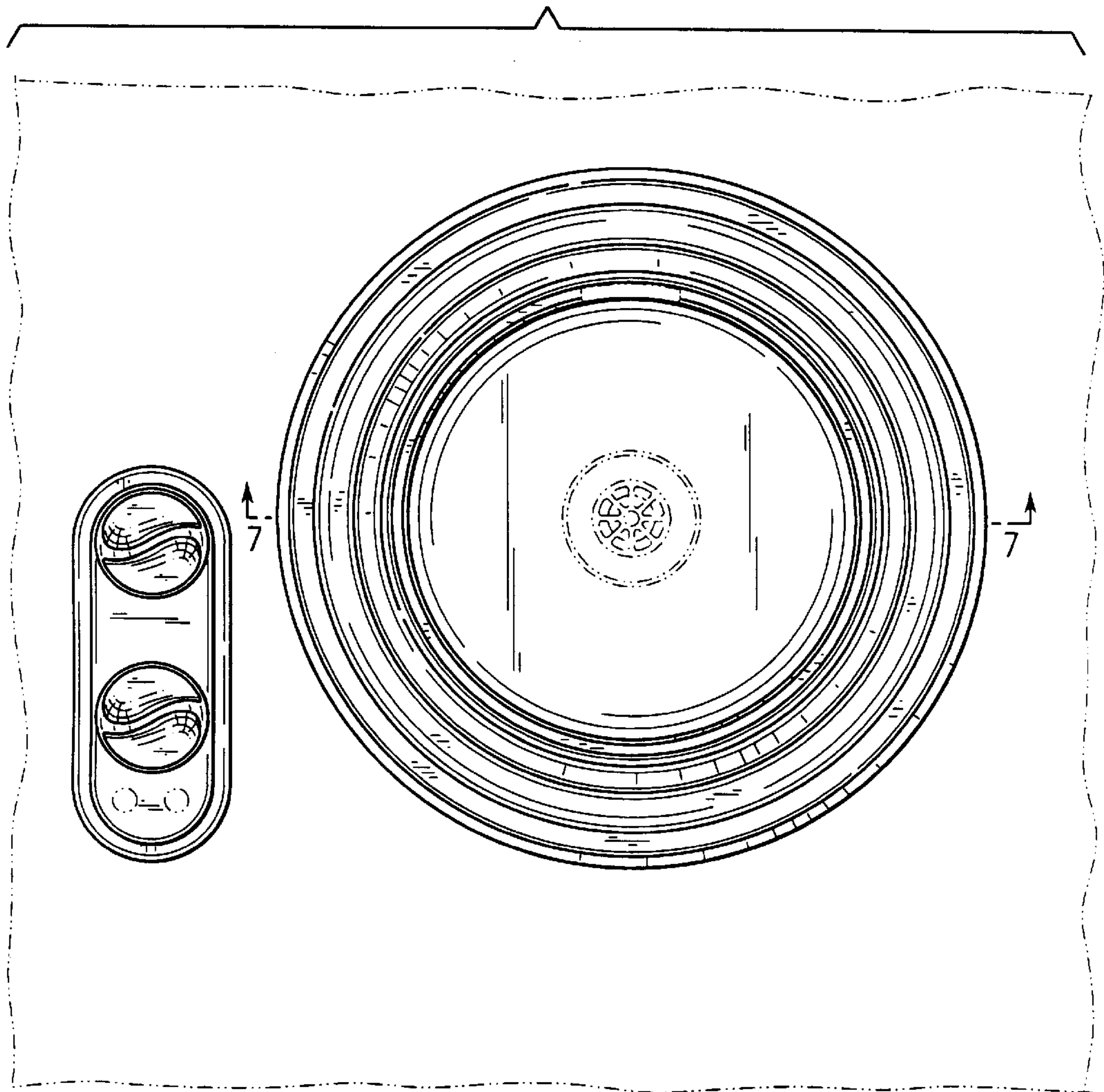


FIG. 3

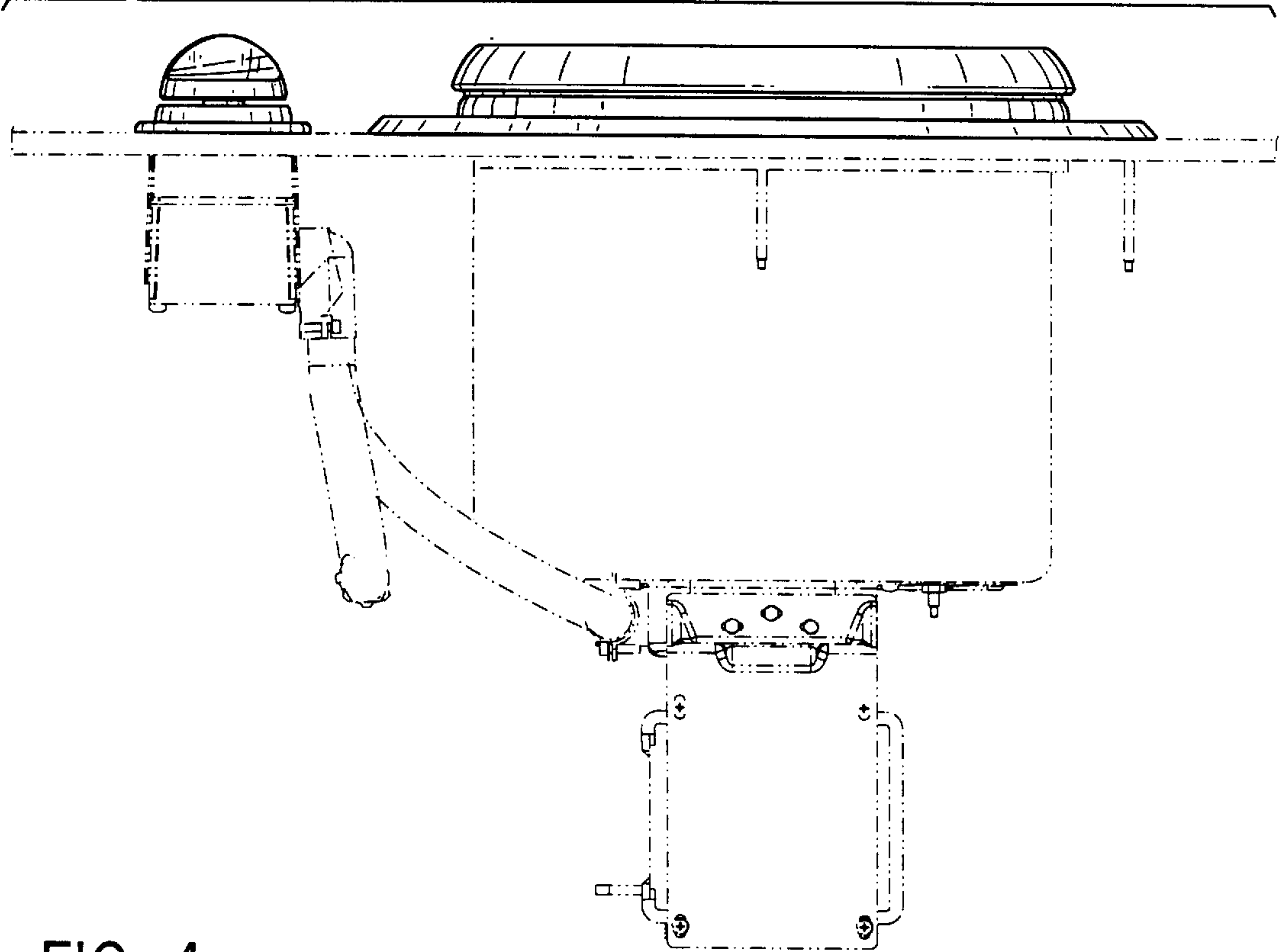


FIG. 4

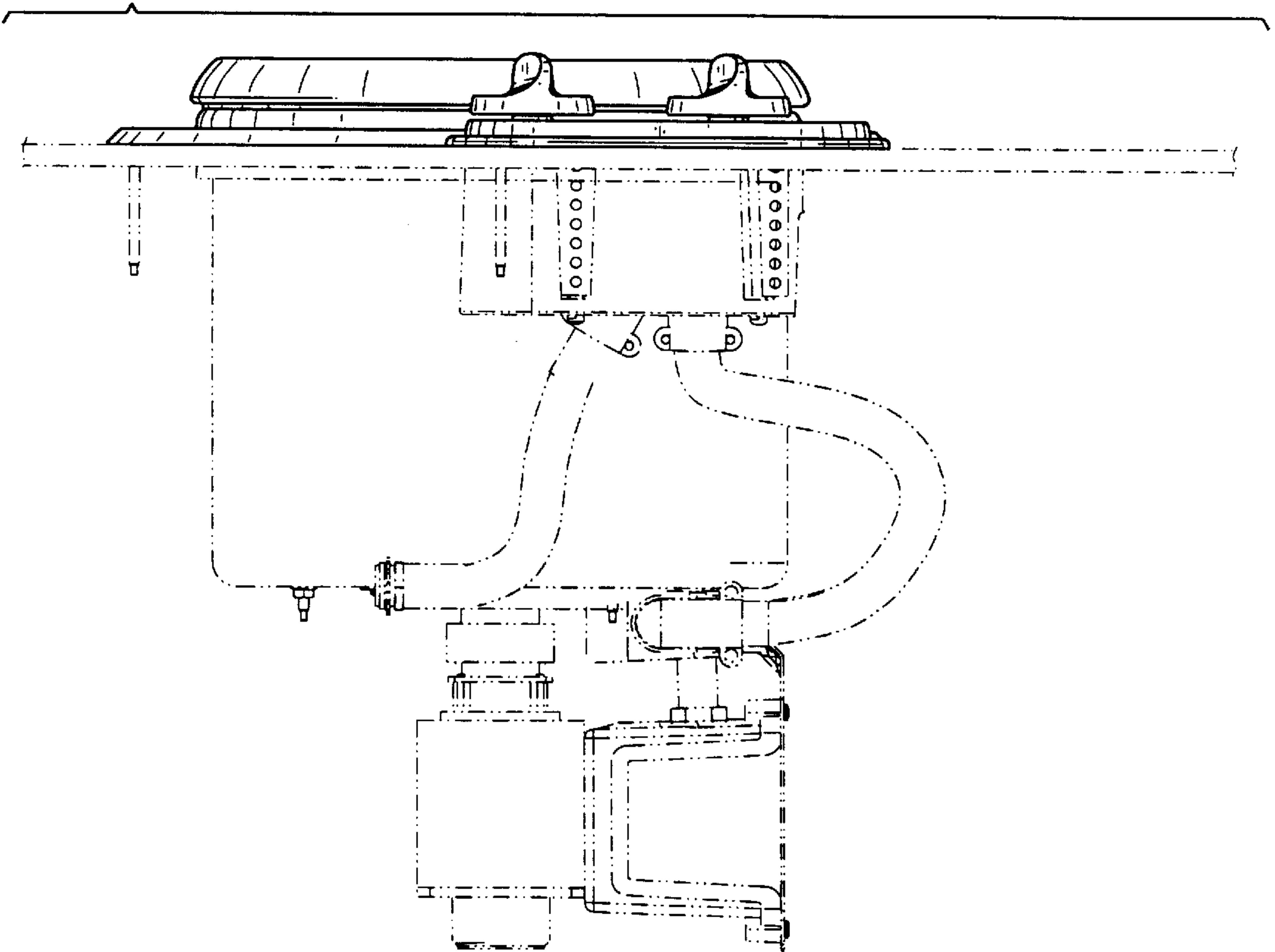


FIG. 5

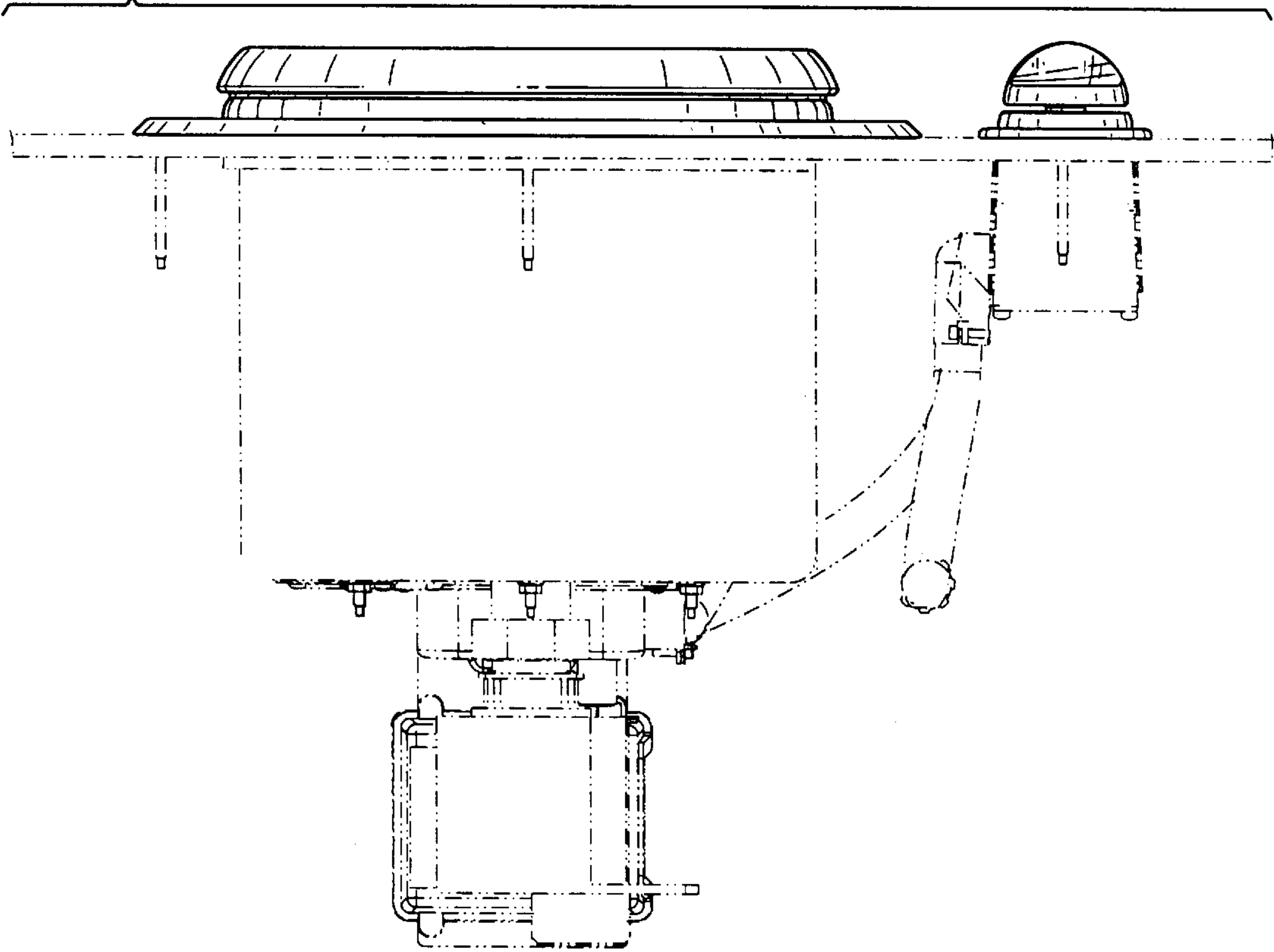


FIG. 6

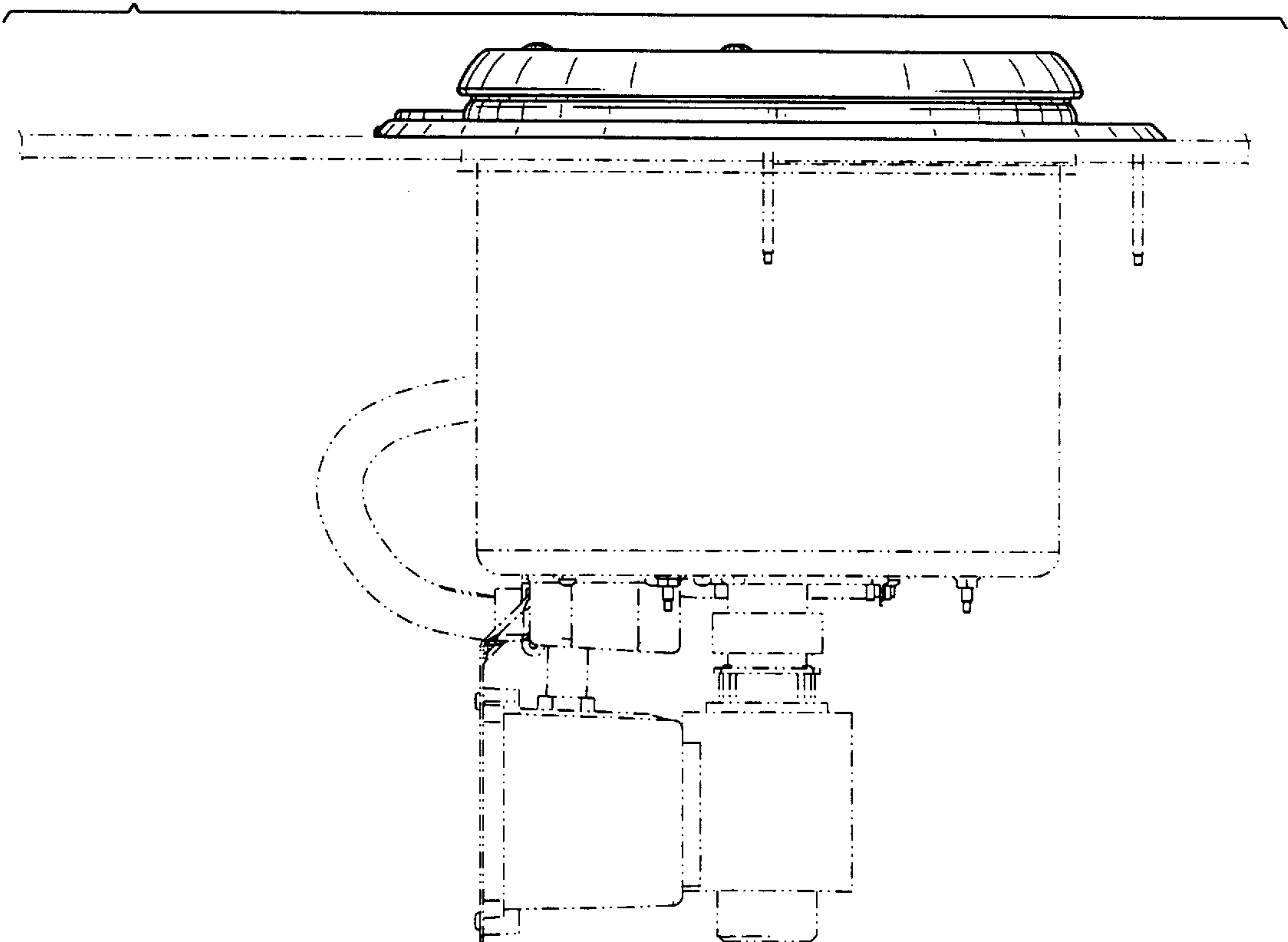


FIG. 7

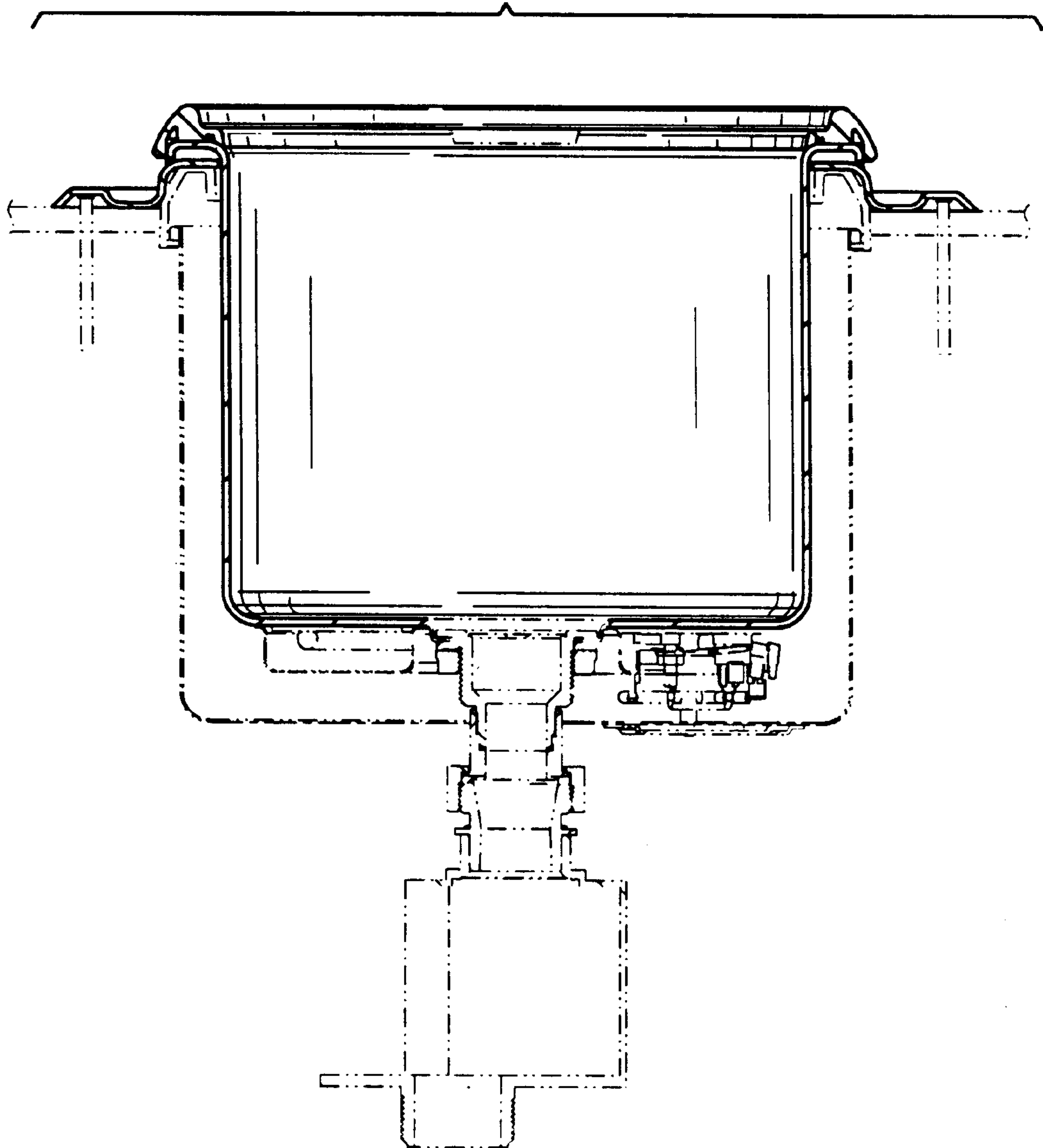
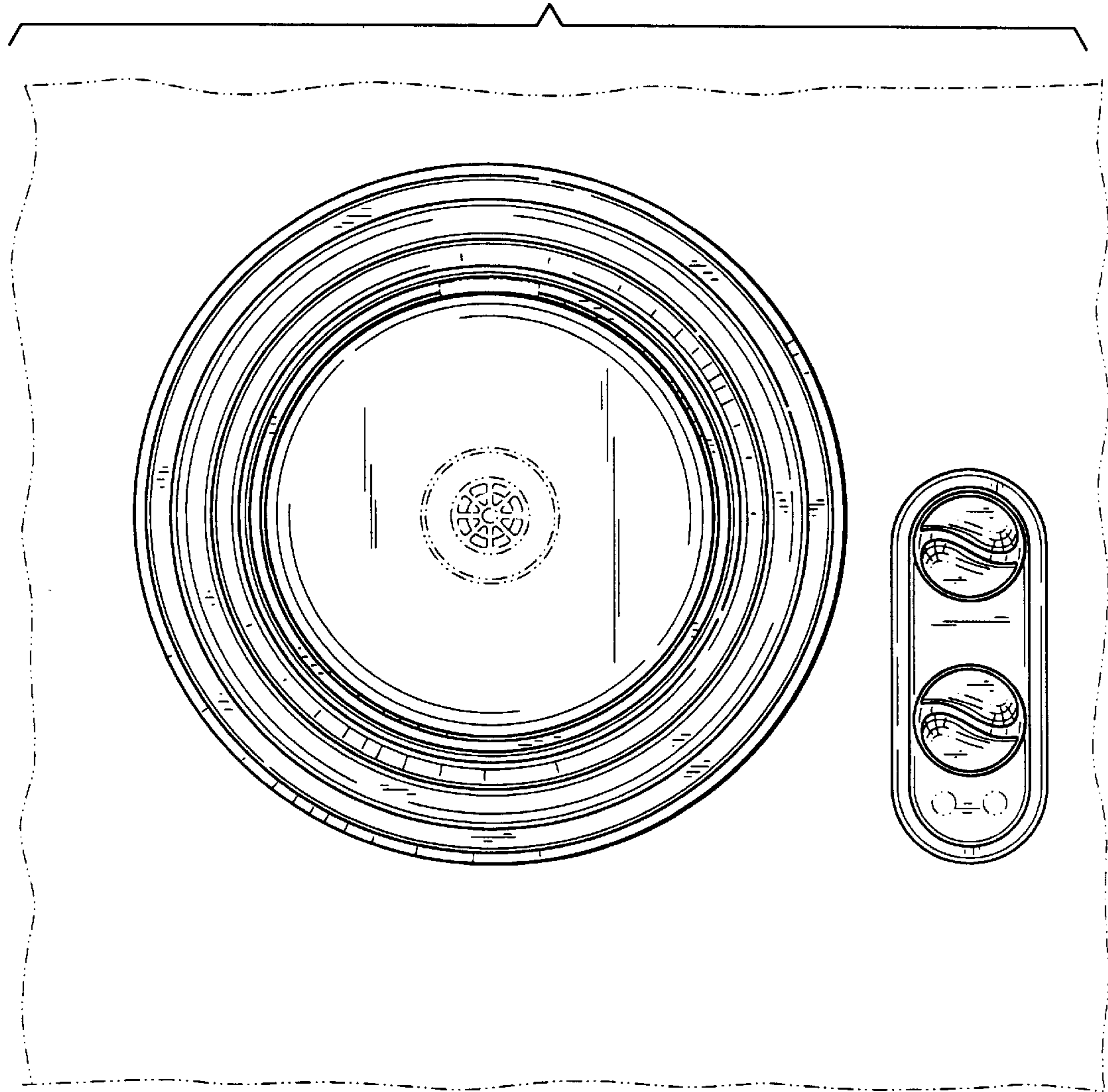


FIG. 8



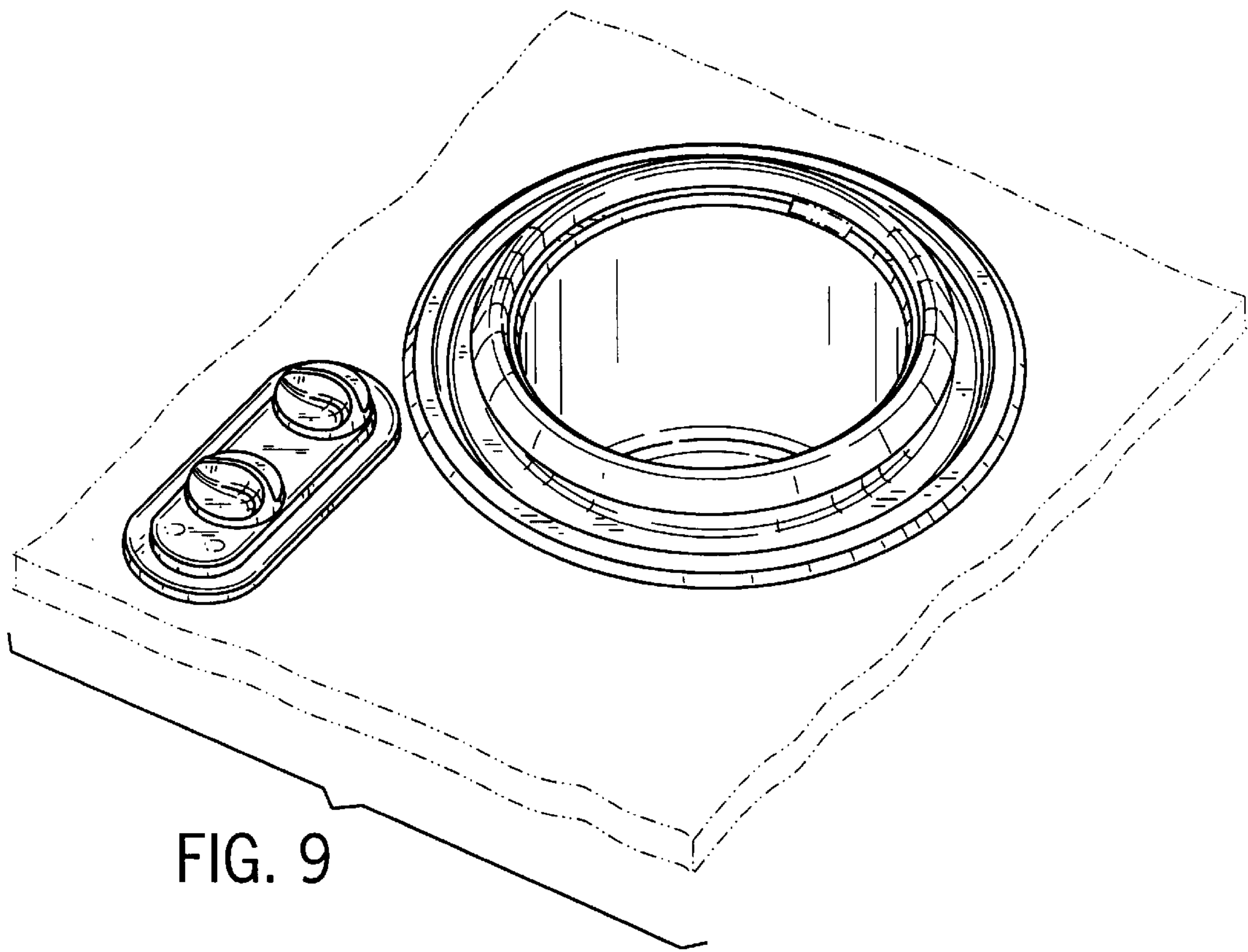


FIG. 9

FIG. 10

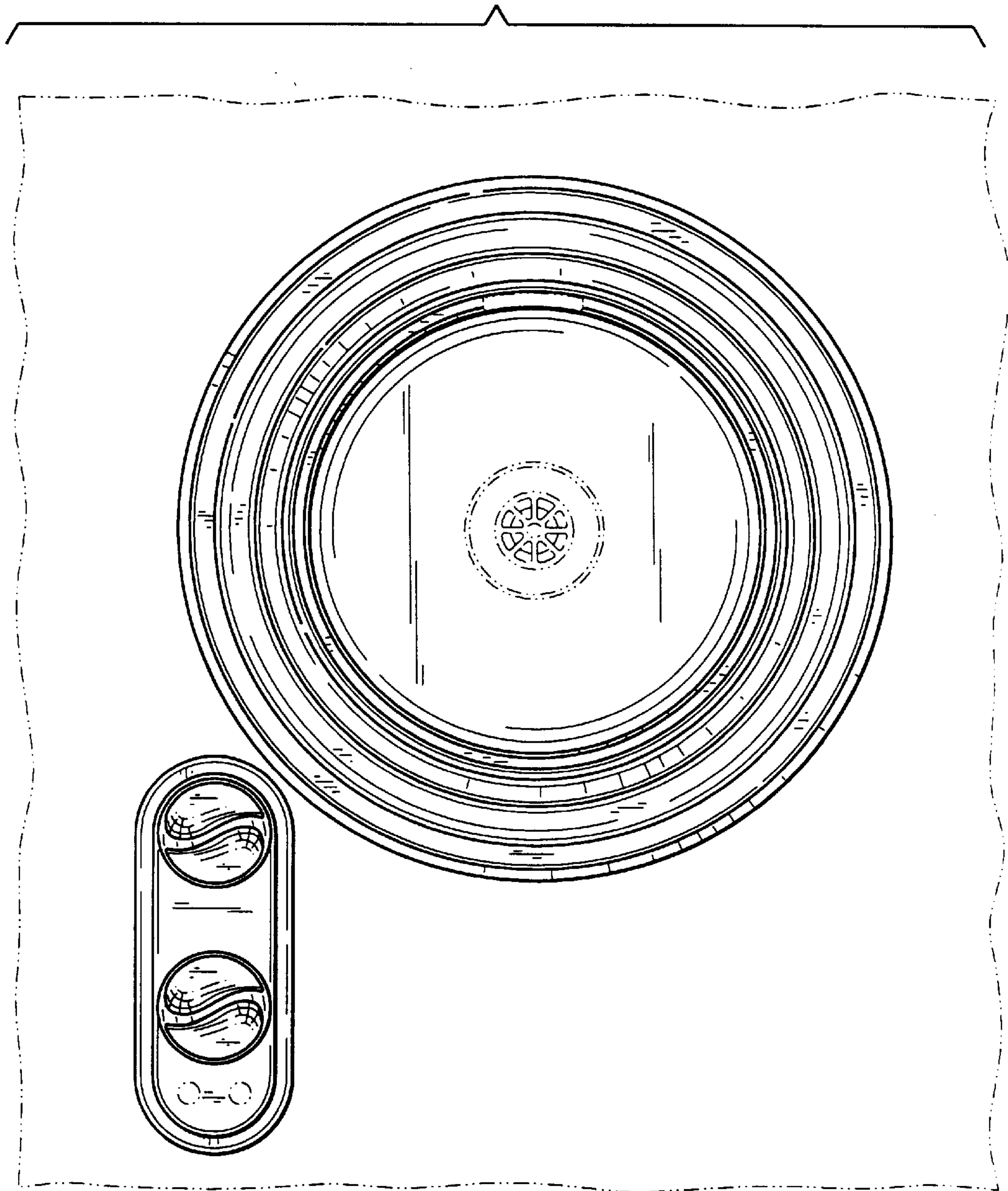


FIG. 11

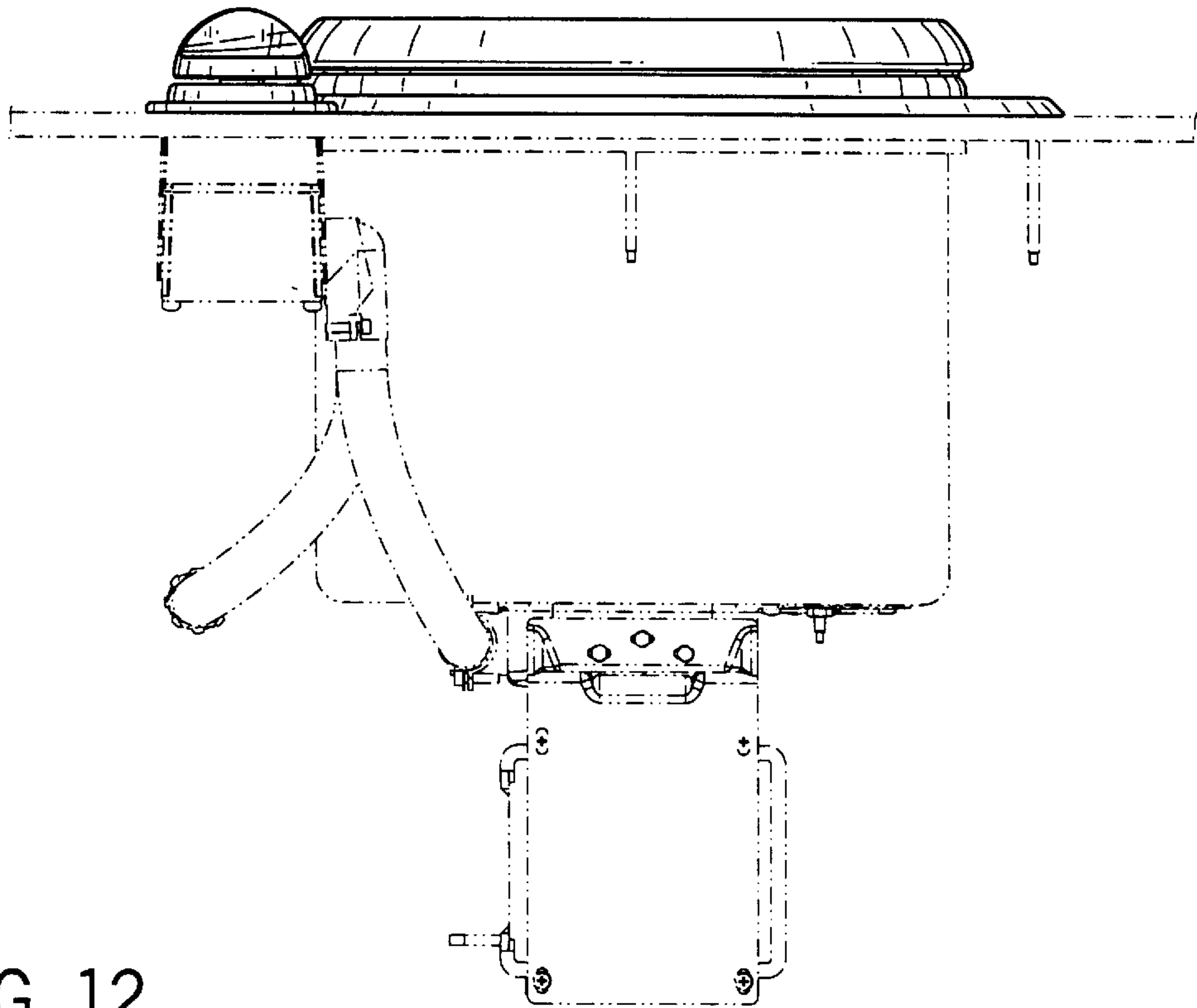


FIG. 12

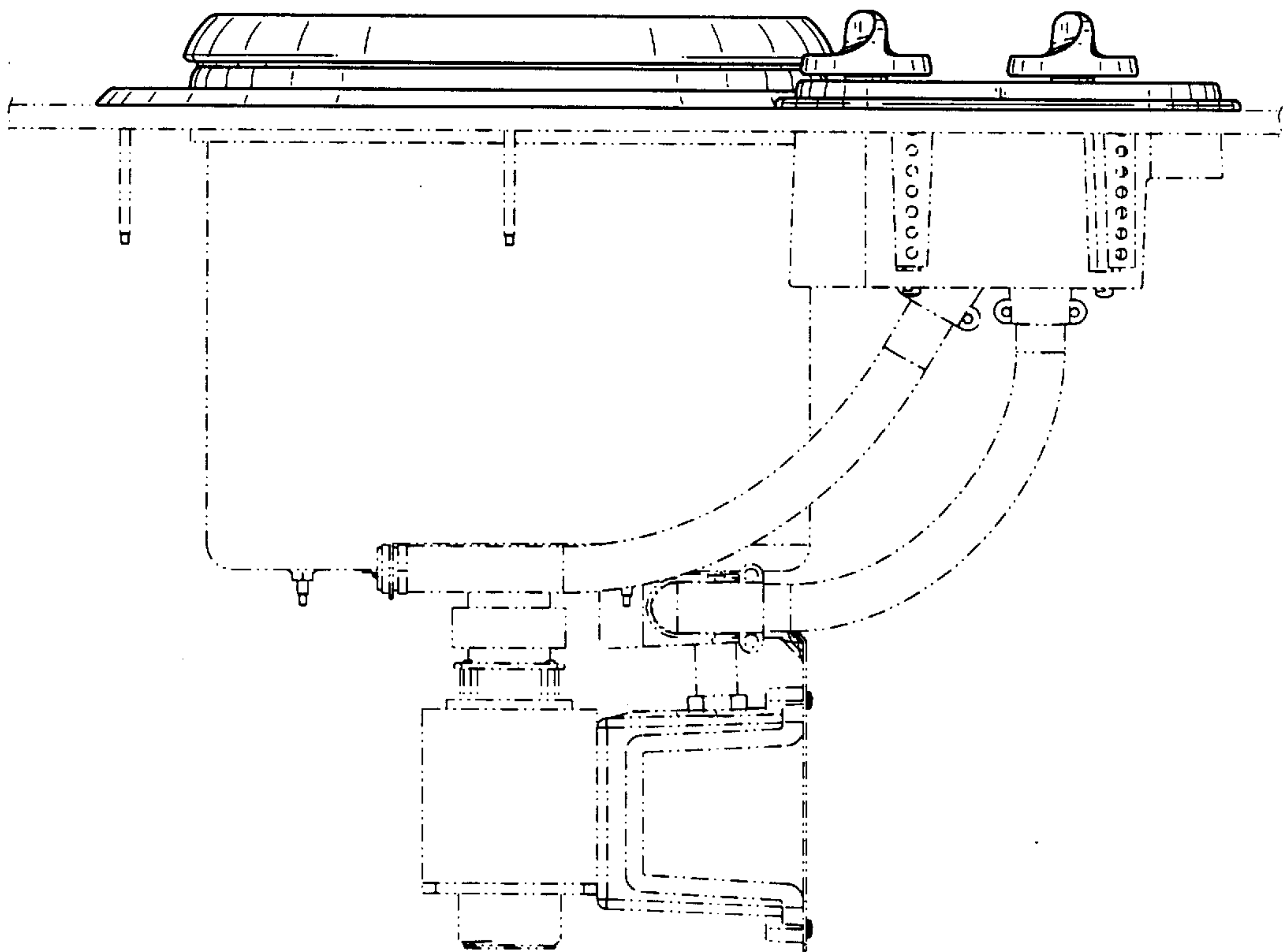


FIG. 13

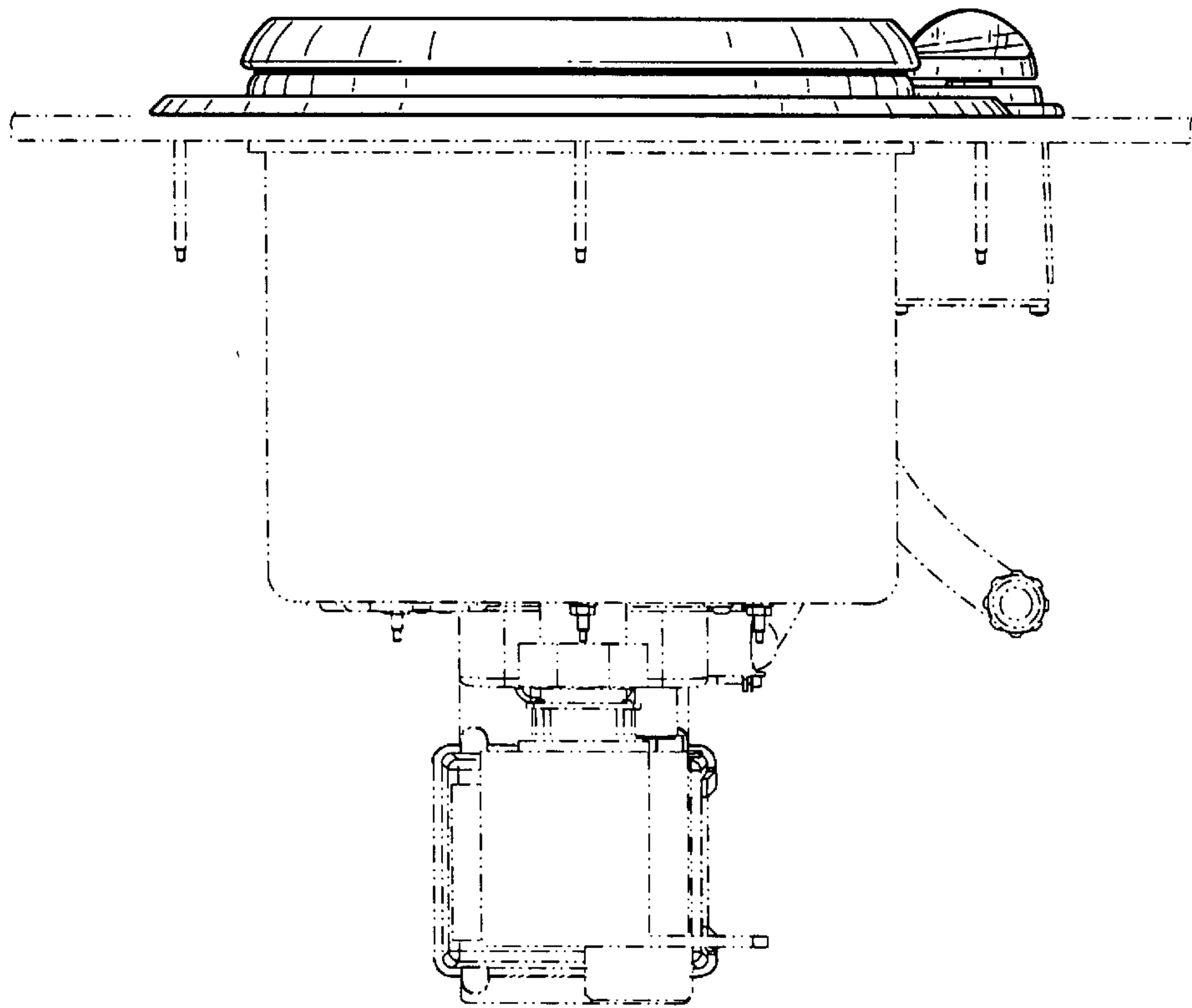


FIG. 14

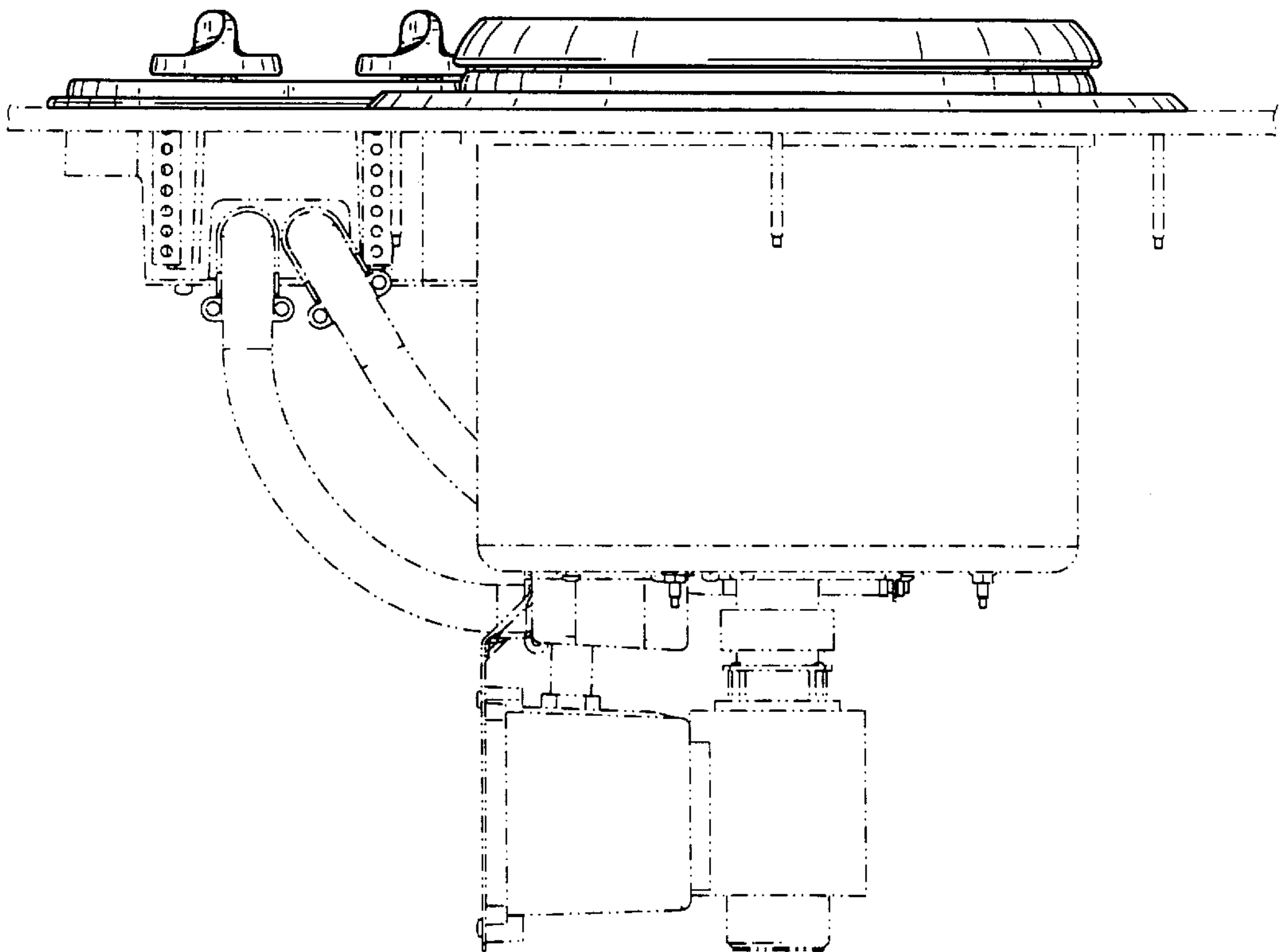
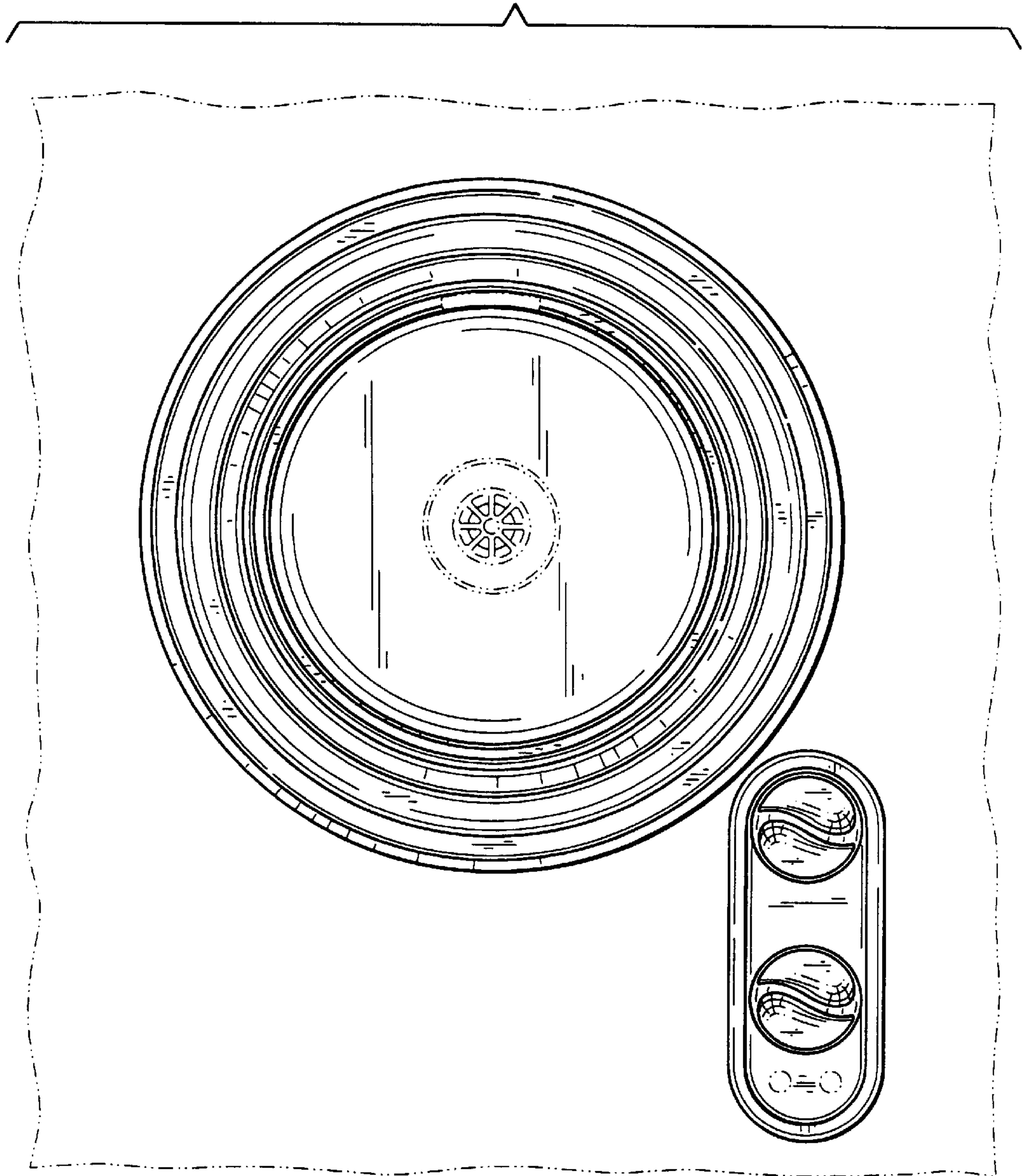


FIG. 15



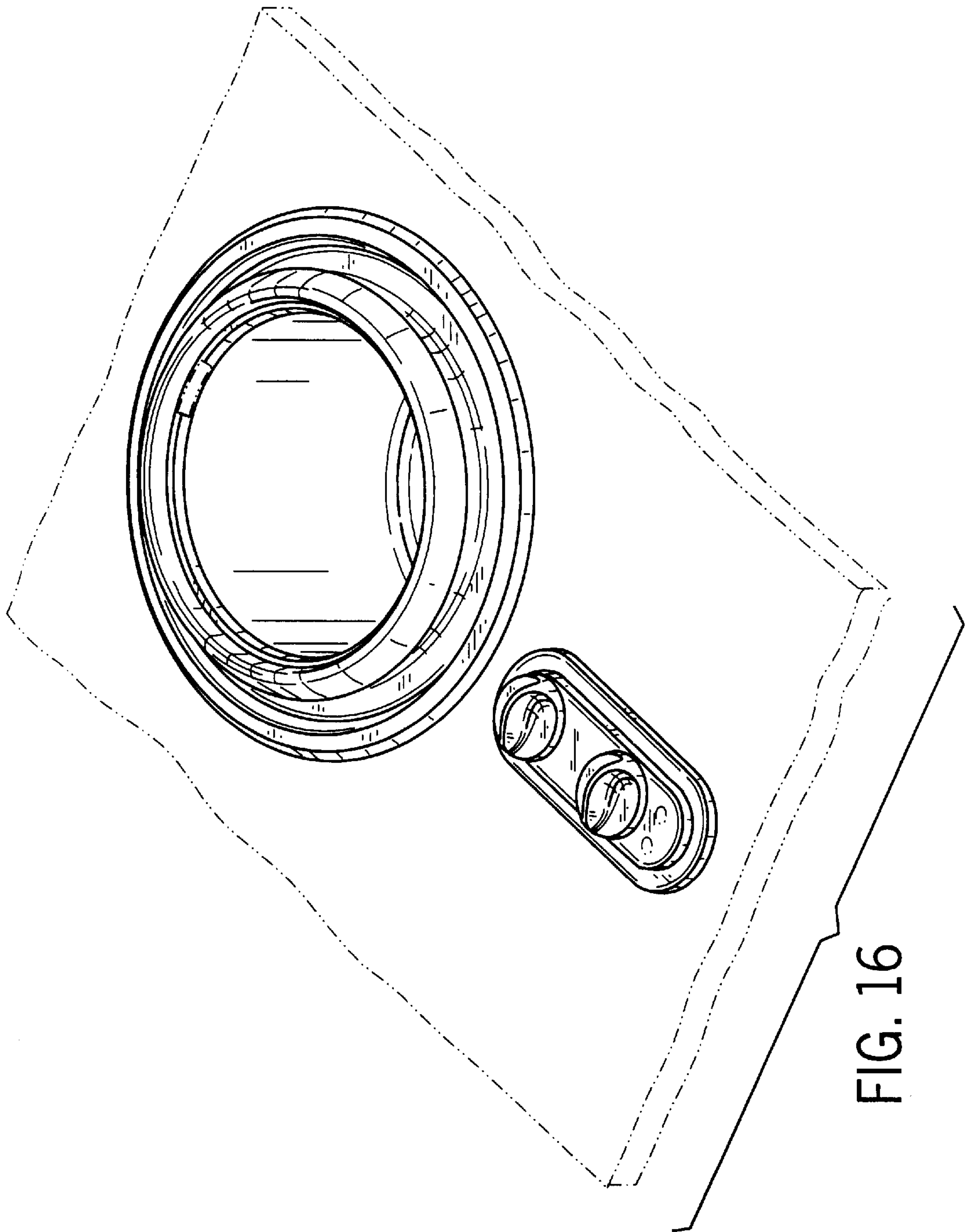


FIG. 16

FIG. 17

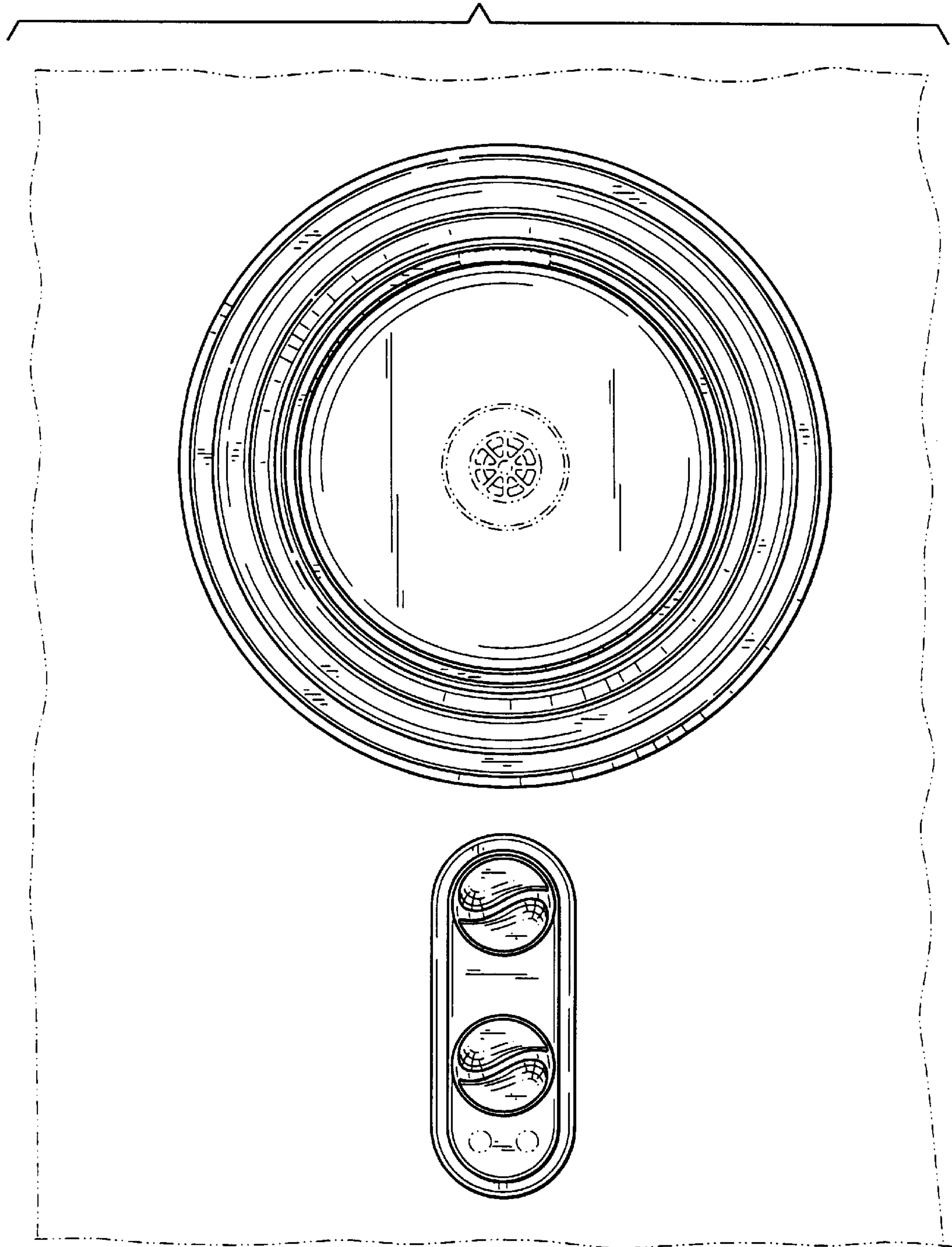


FIG. 18

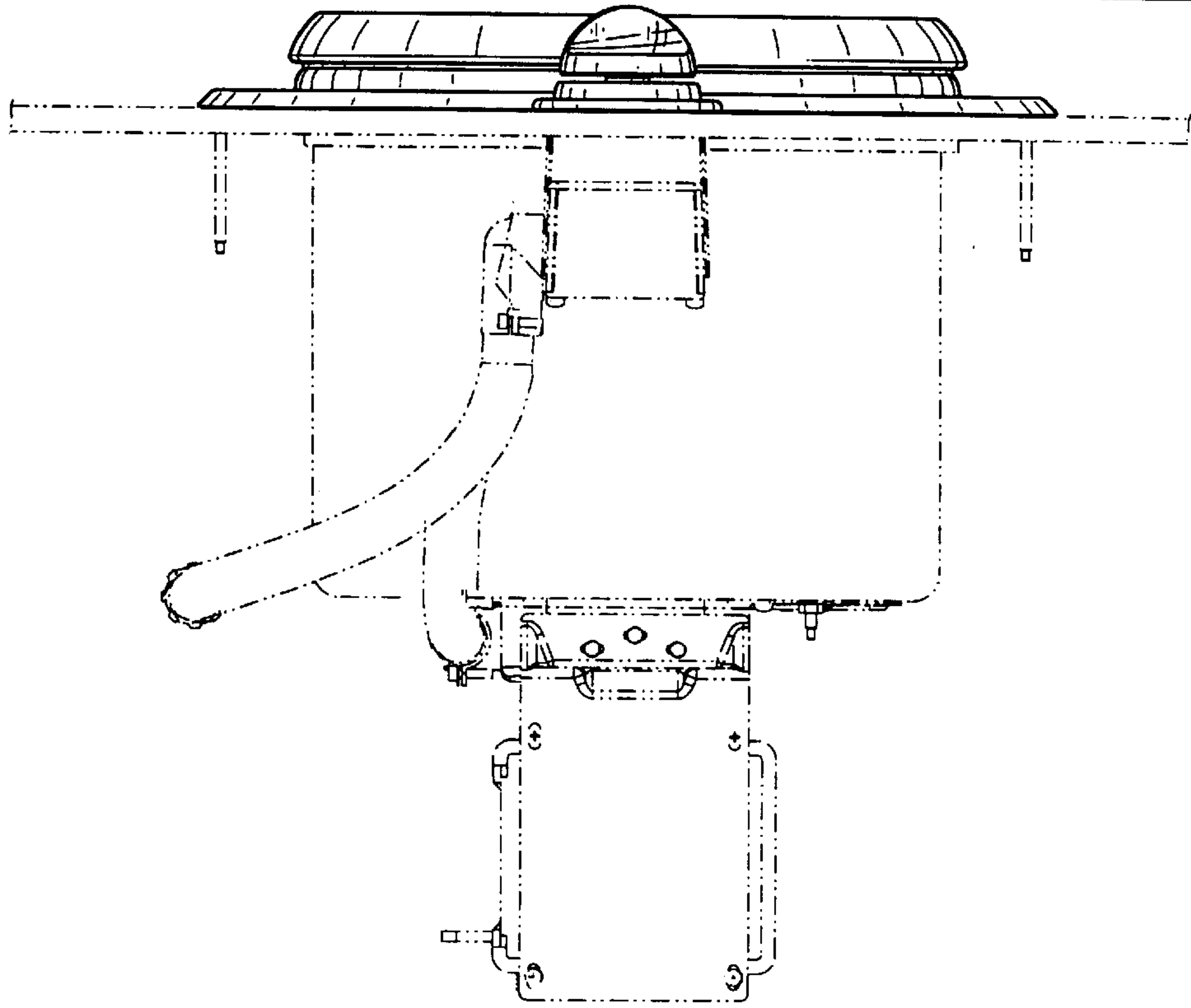


FIG. 20

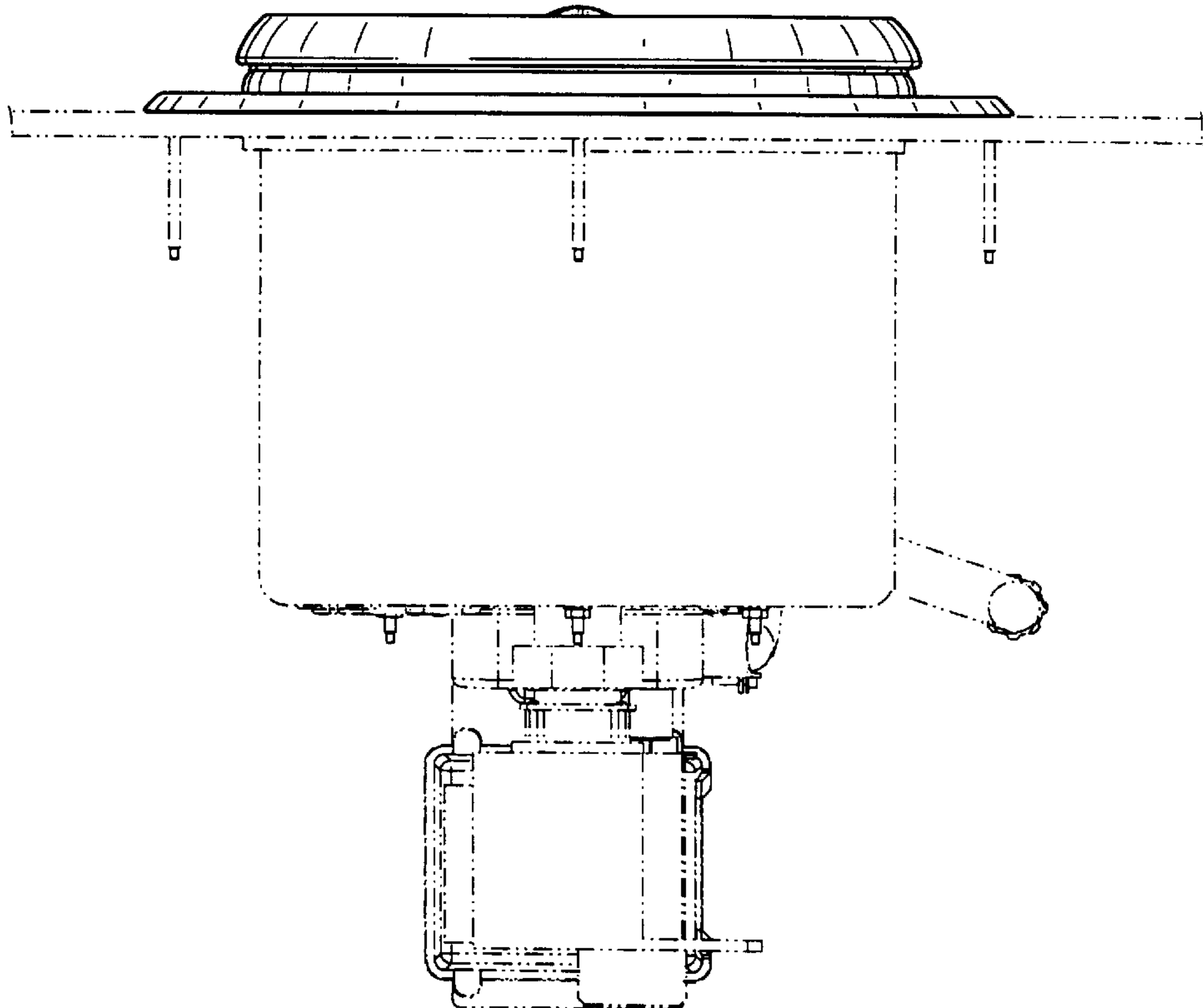


FIG. 19

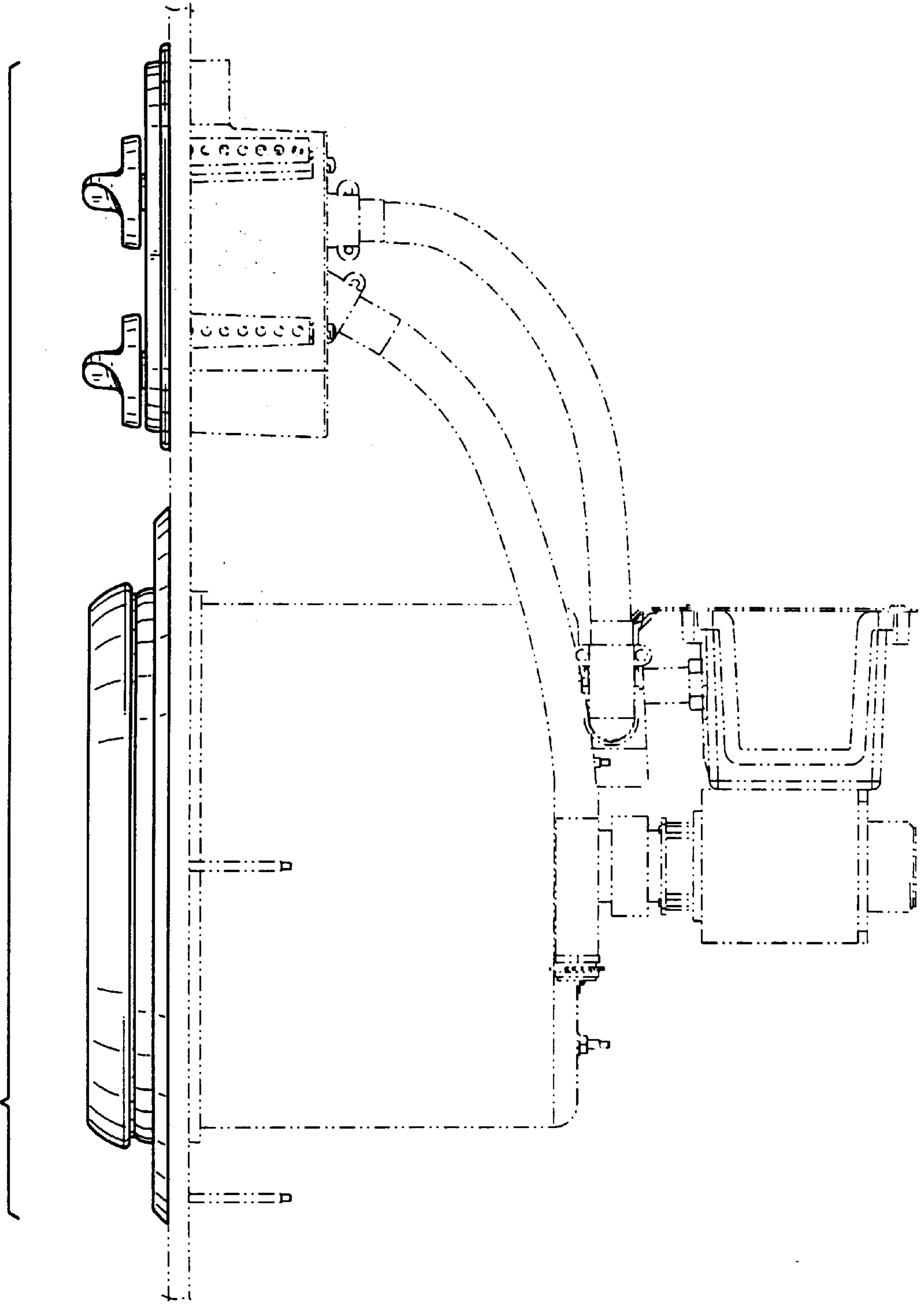
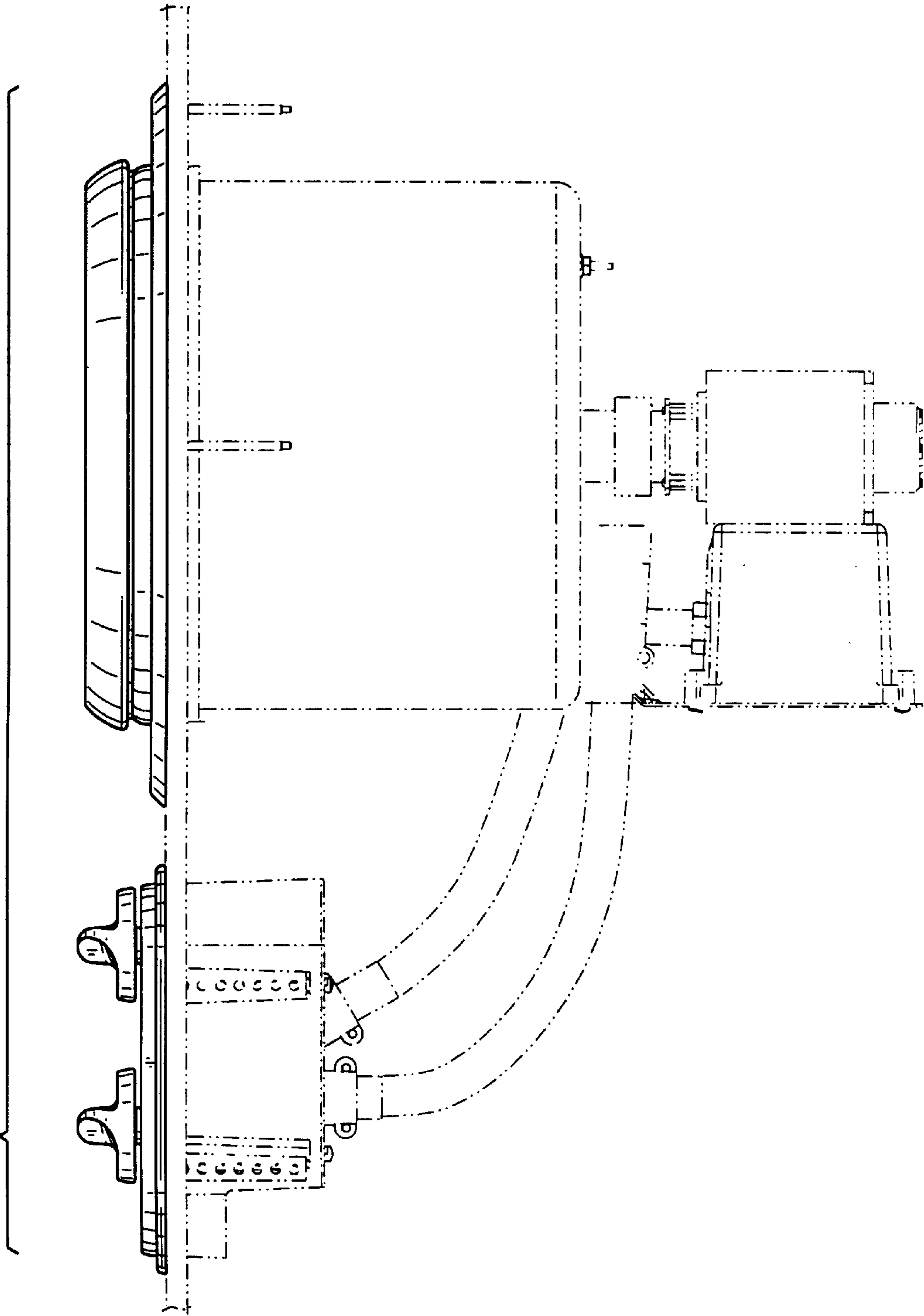


FIG. 21



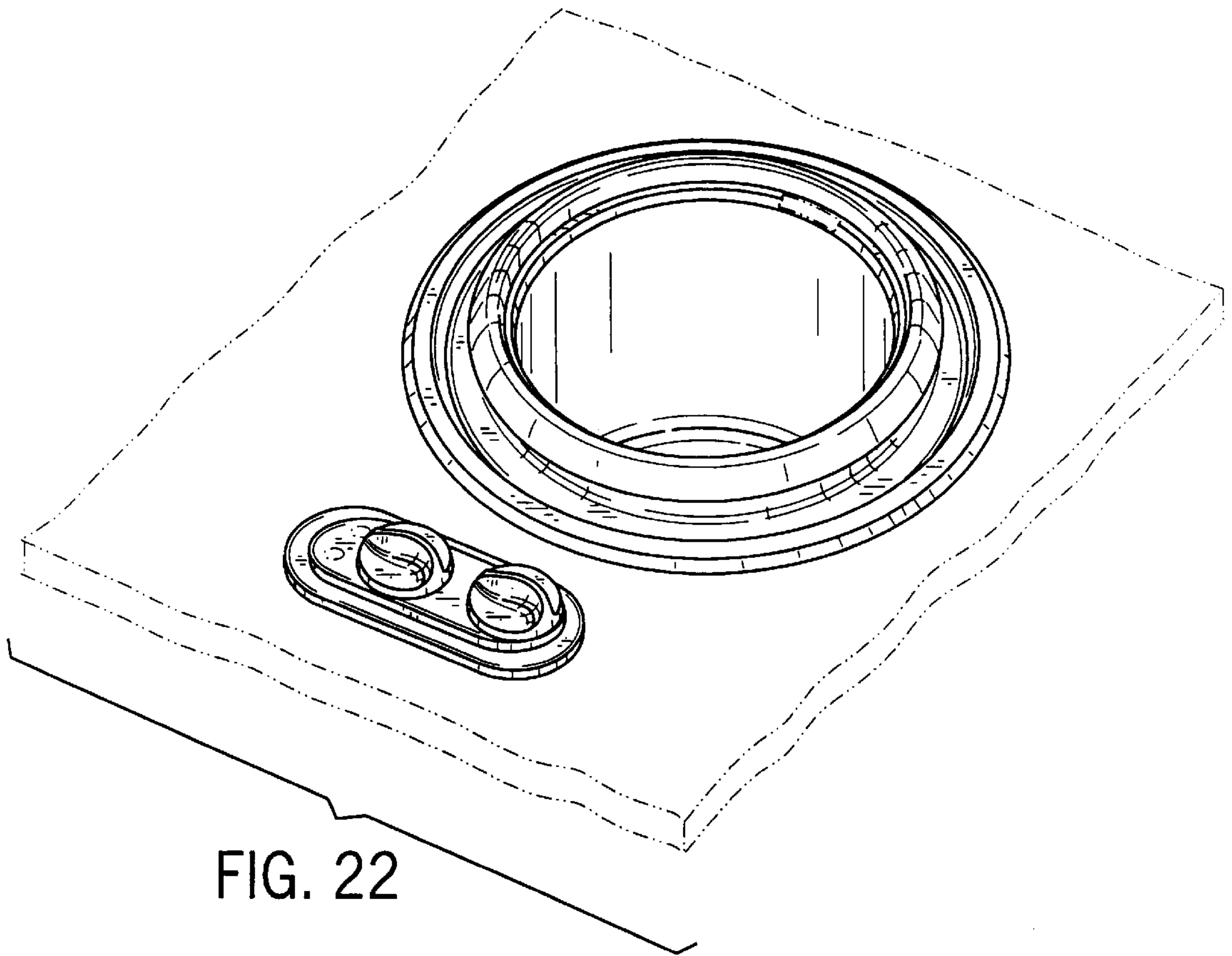


FIG. 22

FIG. 23

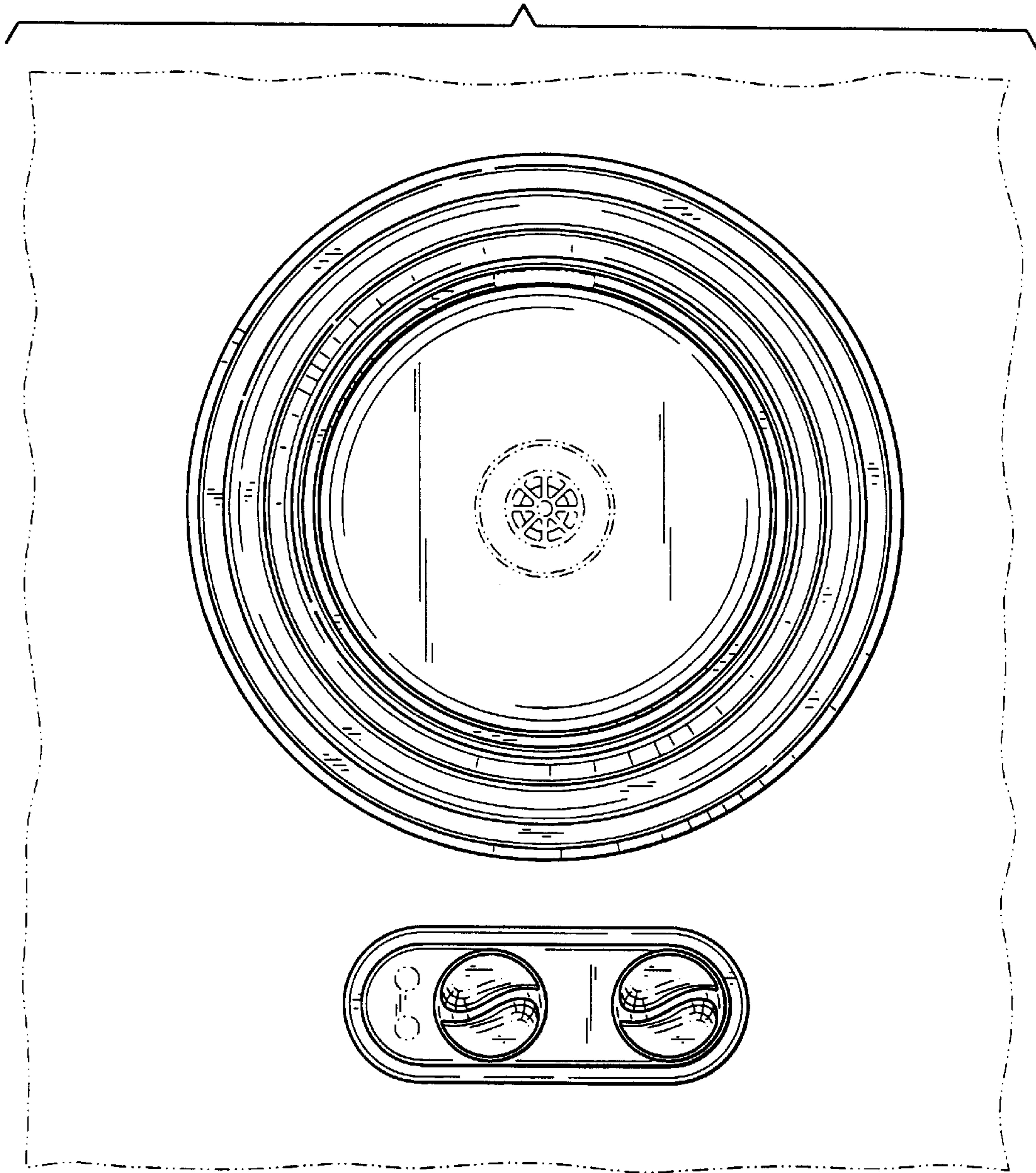


FIG. 24

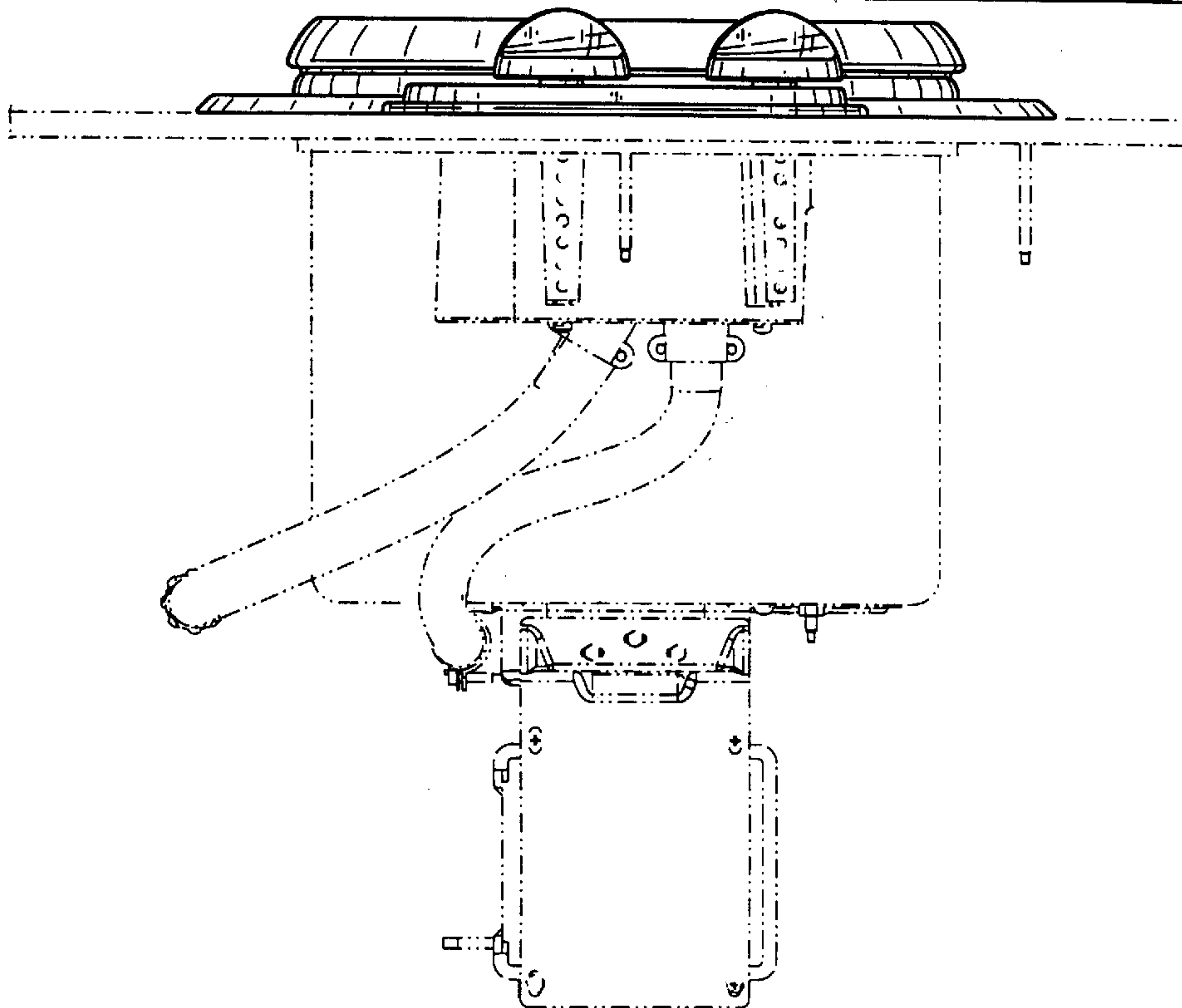


FIG. 25

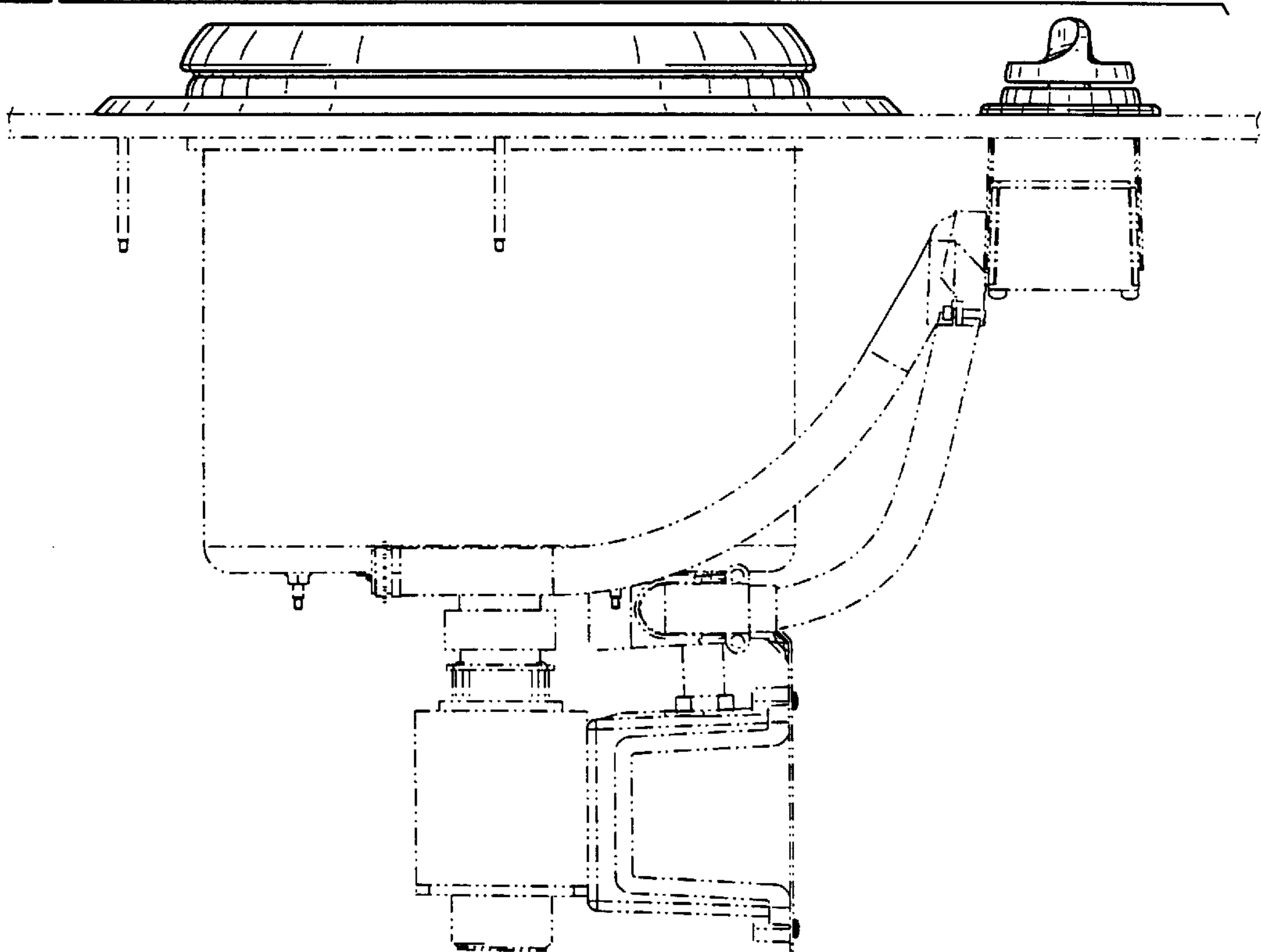


FIG. 26

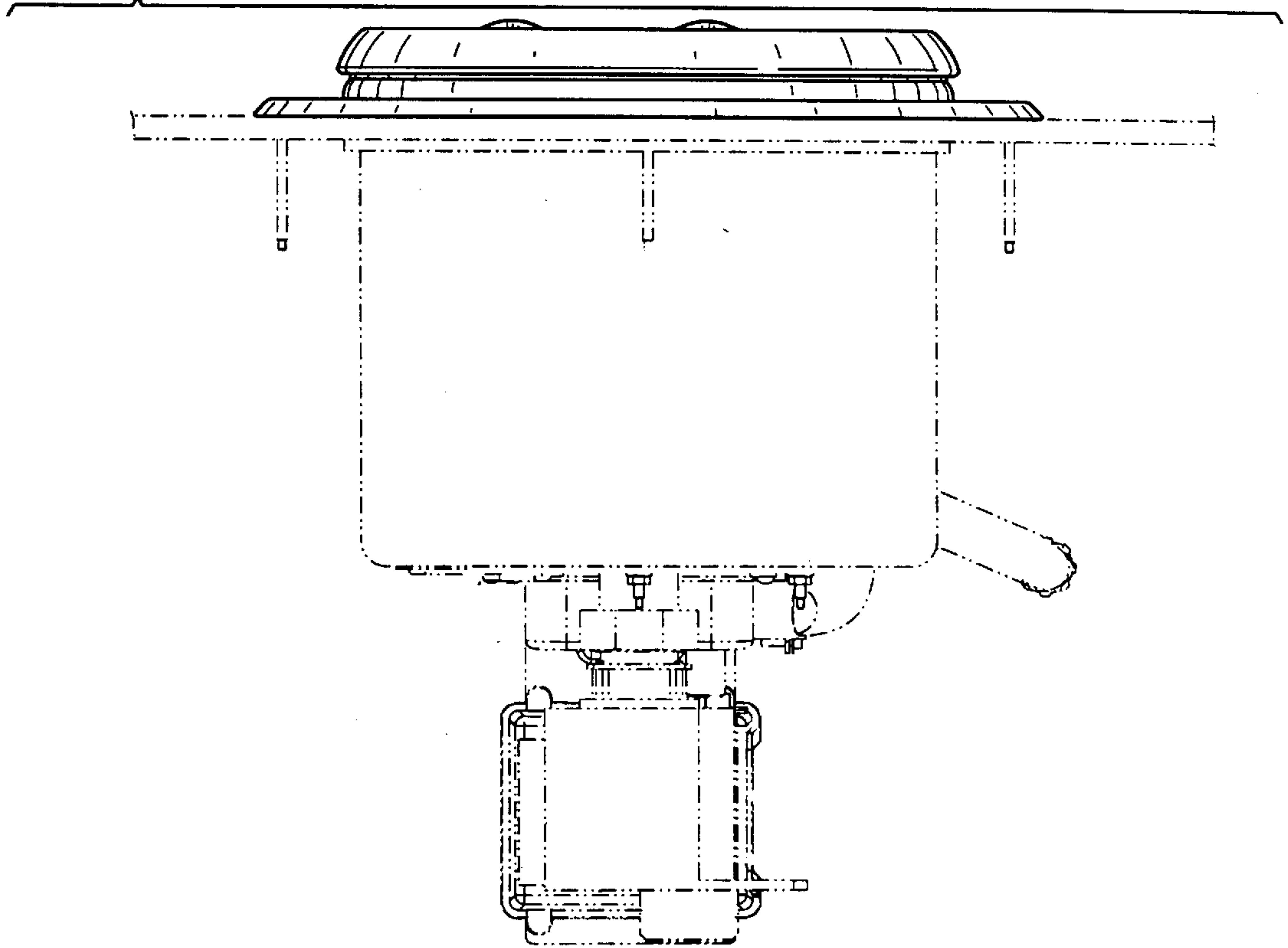


FIG. 27

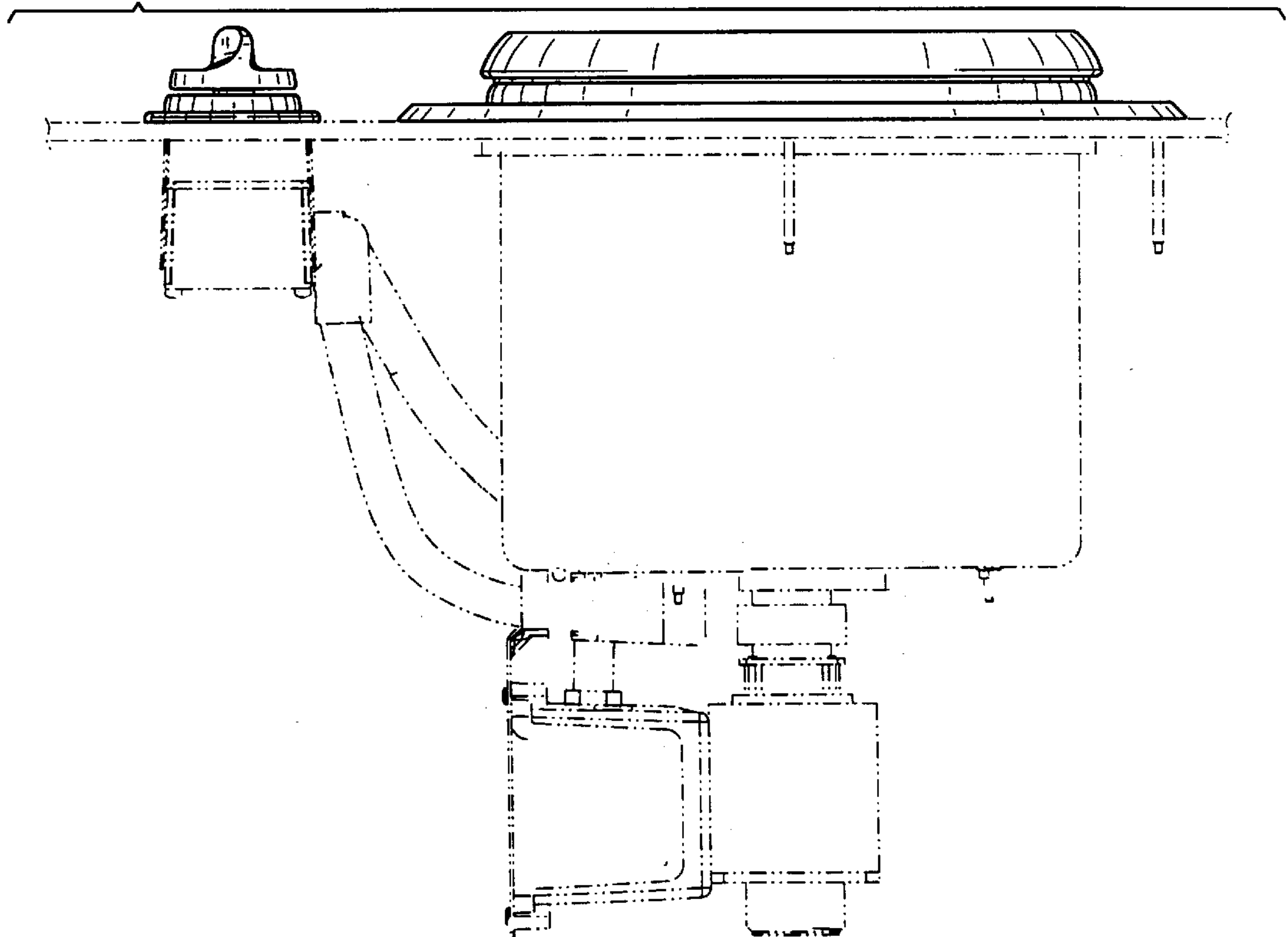


FIG. 28

