



US00D431635S

United States Patent [19] Fange

[11] Patent Number: Des. 431,635

[45] Date of Patent: ** Oct. 3, 2000

[54] TUBULAR COUPLER

[76] Inventor: Eric Von Fange, P.O. Box 767, Fort Mill, S.C. 29716

[**] Term: 14 Years

[21] Appl. No.: 29/114,390

[22] Filed: Nov. 23, 1999

[51] LOC (7) Cl. 23-01

[52] U.S. Cl. D23/265

[58] Field of Search D8/30, 382; D23/262, D23/265; 285/80, 245, 305, 308, 313, 364, 365, 409, 420, 366, 367; 403/299-301; 138/110, 147; 248/73, 74.1; 220/319, 320

[56] **References Cited**

U.S. PATENT DOCUMENTS

D. 142,834	11/1945	Cambell	D23/265
1,230,606	6/1917	Saunders	285/308
2,241,089	5/1941	Hampe et al.	285/409
5,380,052	1/1995	Hendrickson	285/364
5,540,465	7/1996	Sisk	285/365

Primary Examiner—Alan P. Douglas
Assistant Examiner—Reid Hecker
Attorney, Agent, or Firm—Rhodes & Mason, PLLC

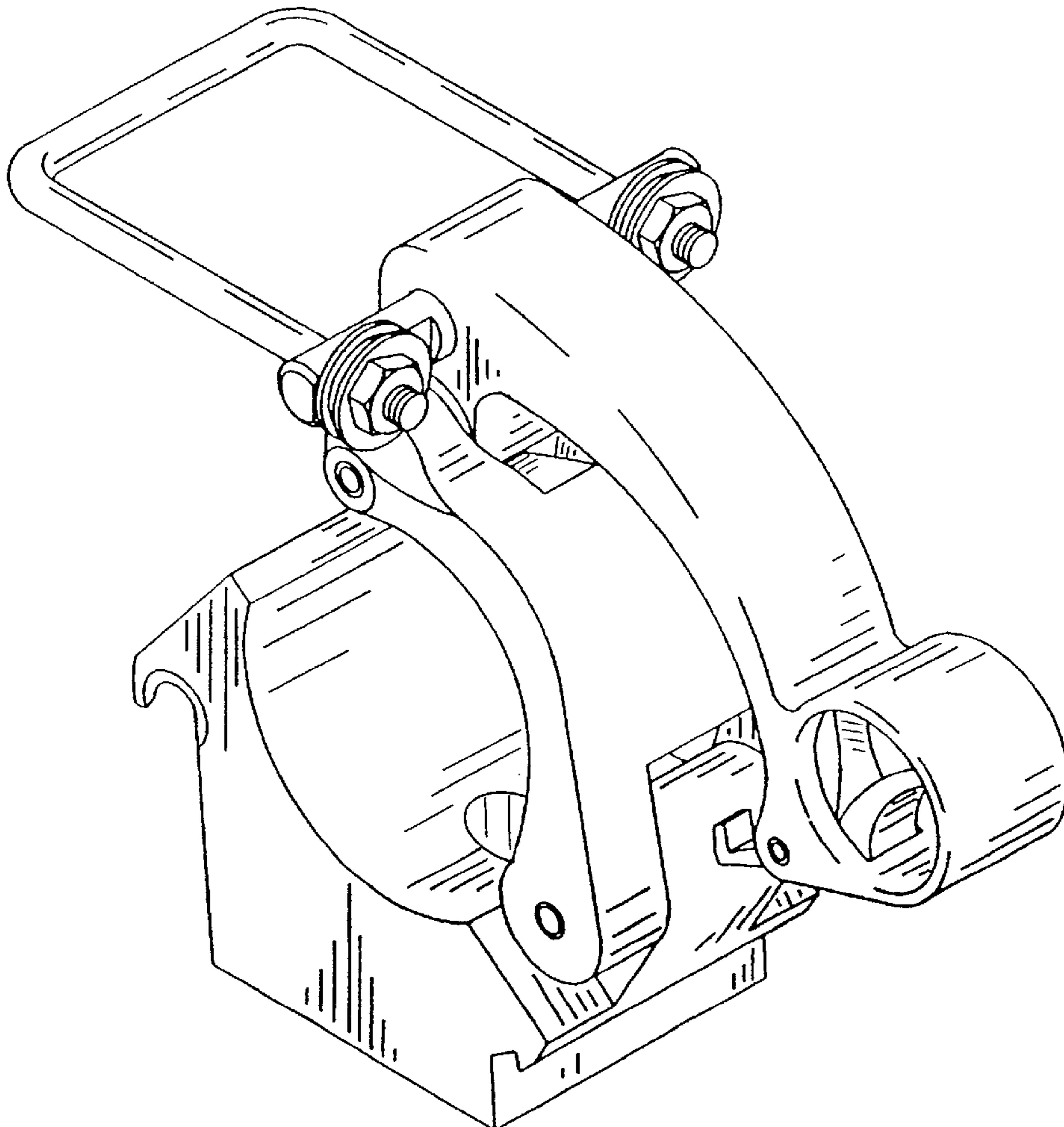
[57] **CLAIM**

The ornamental design for a tubular coupler, as shown and described.

DESCRIPTION

FIG. 1 is a perspective view looking at the top and right side of the tubular coupler in an open condition;
FIG. 2 is a top view of the tubular coupler in a closed condition;
FIG. 3 is a side elevation looking at the left side of the tubular coupler in a closed condition;
FIG. 4 is a front elevation looking at the front of the tubular coupler in a closed condition;
FIG. 5 is a side elevation looking at the right side of the tubular coupler in a closed condition;
FIG. 6 is a rear elevation of the tubular coupler in a closed condition; and,
FIG. 7 is an inverted plan view looking at the bottom of the tubular coupler in a closed condition.

1 Claim, 2 Drawing Sheets



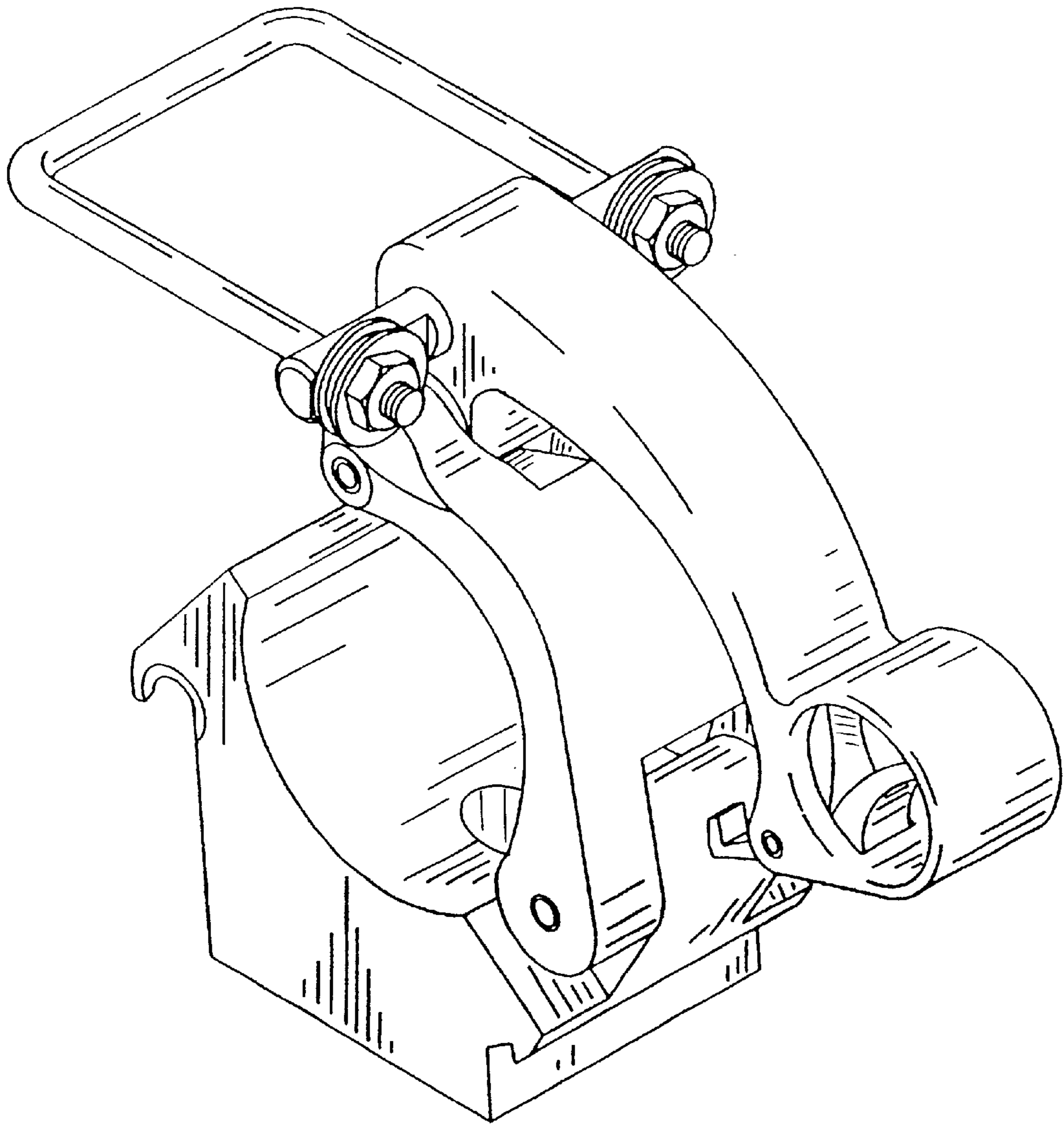


Fig. 1

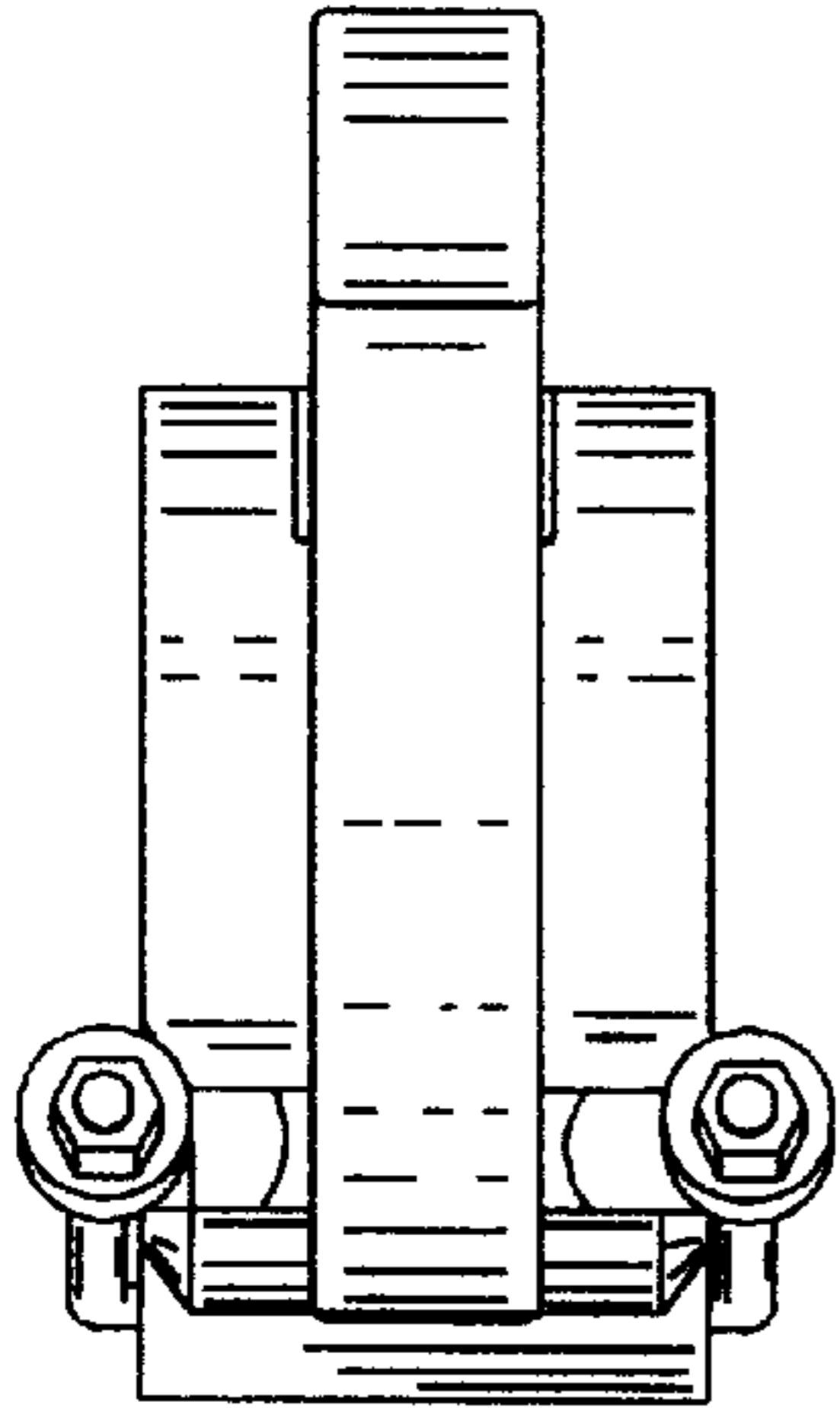


Fig. 2

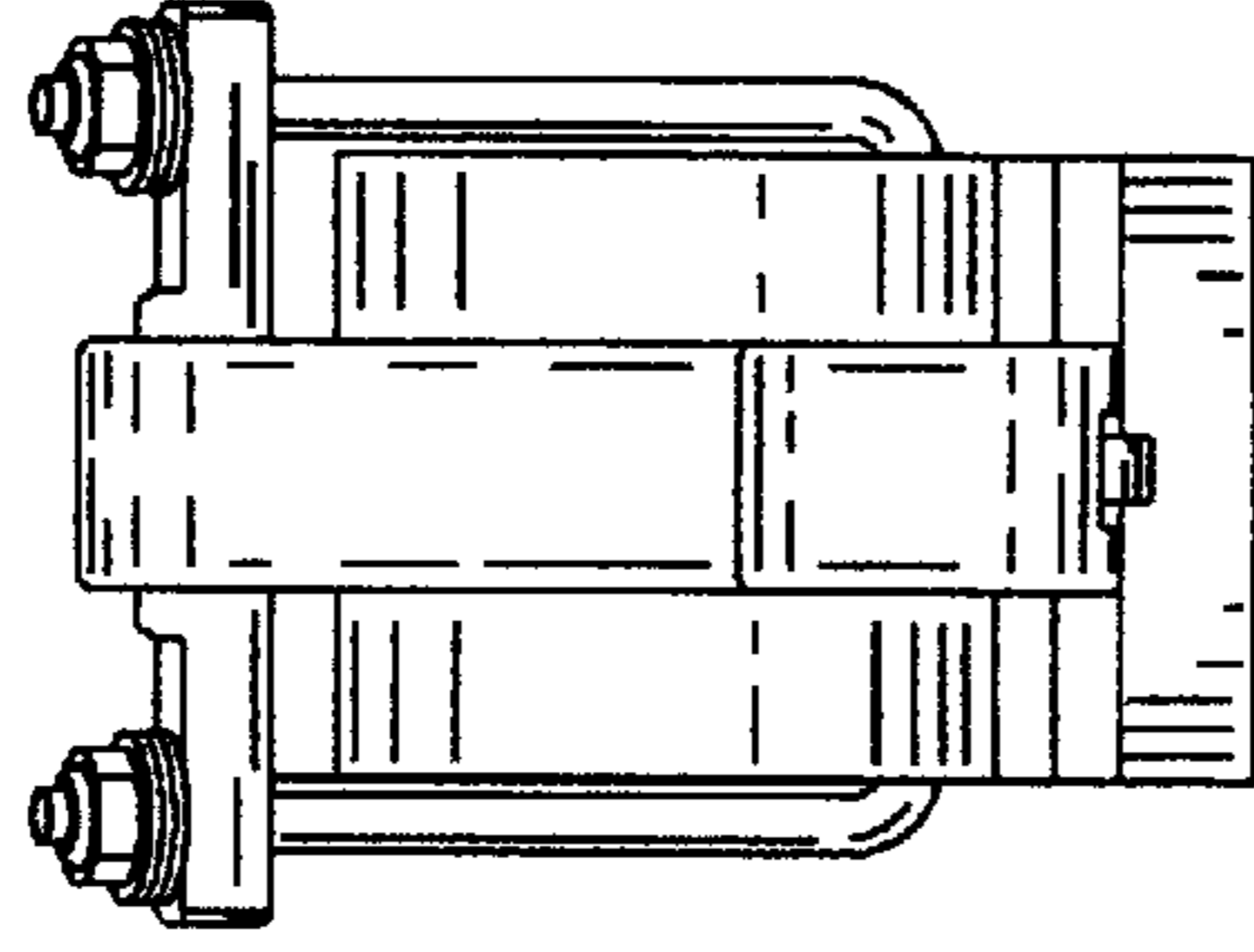


Fig. 6

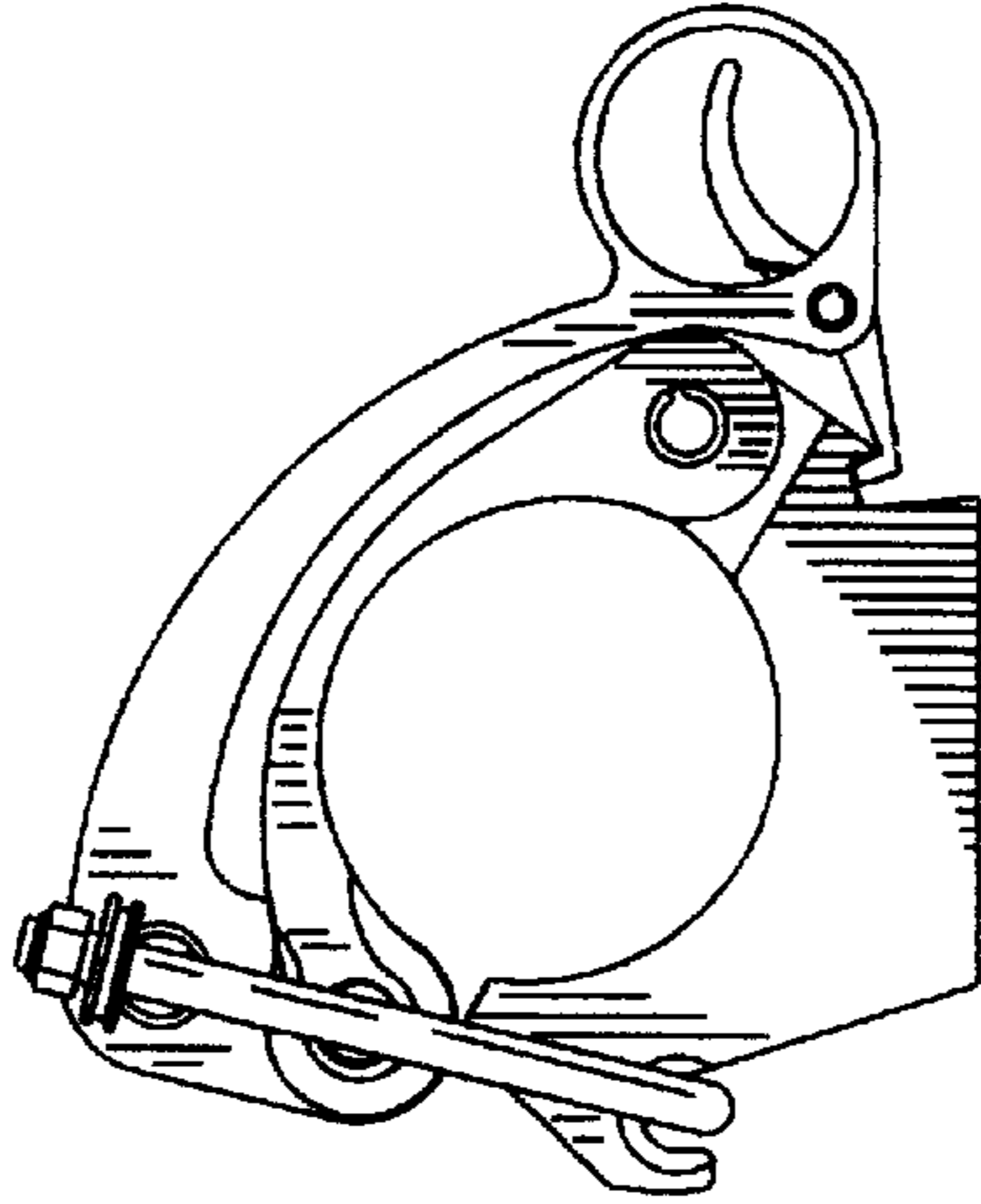


Fig. 5

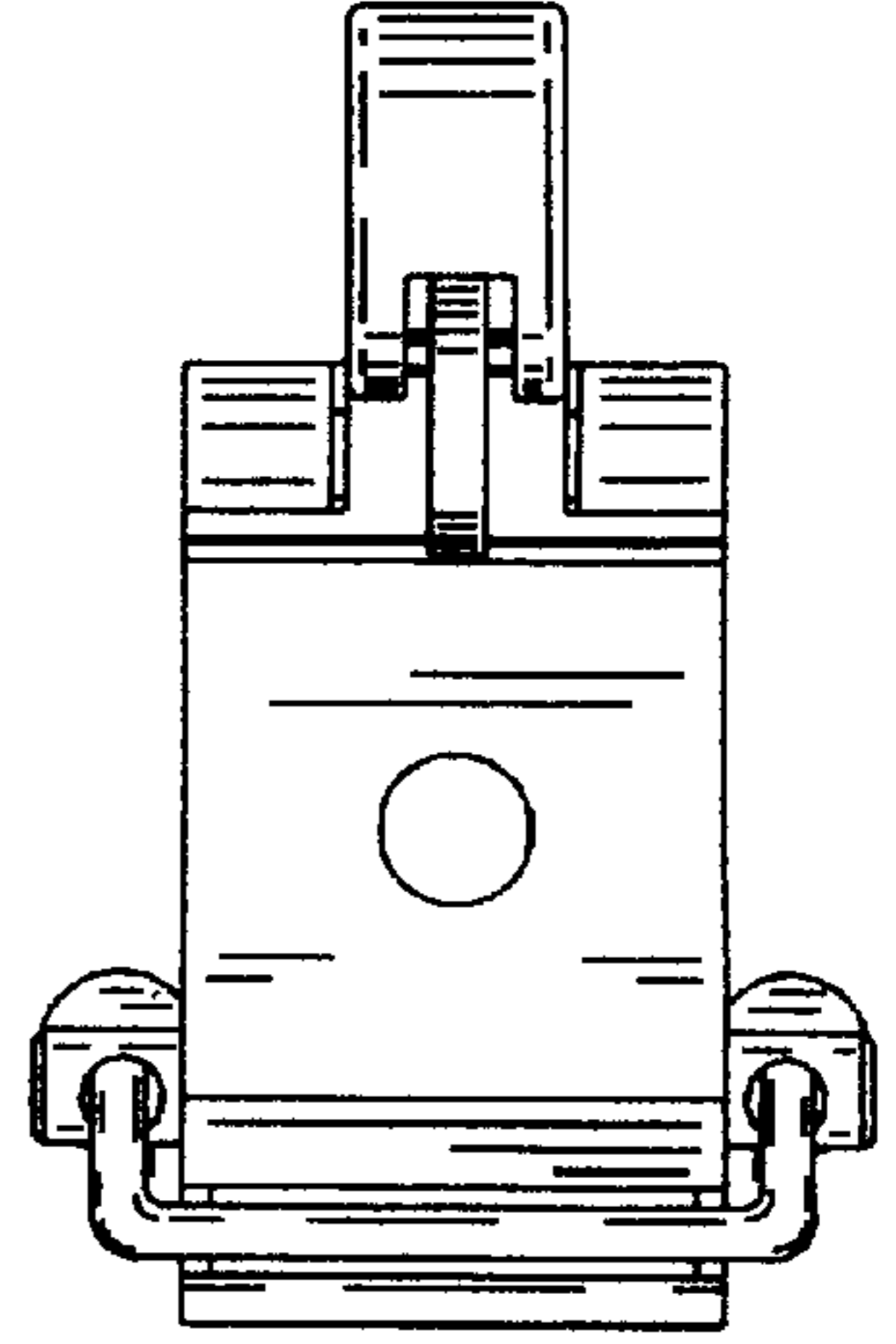


Fig. 7

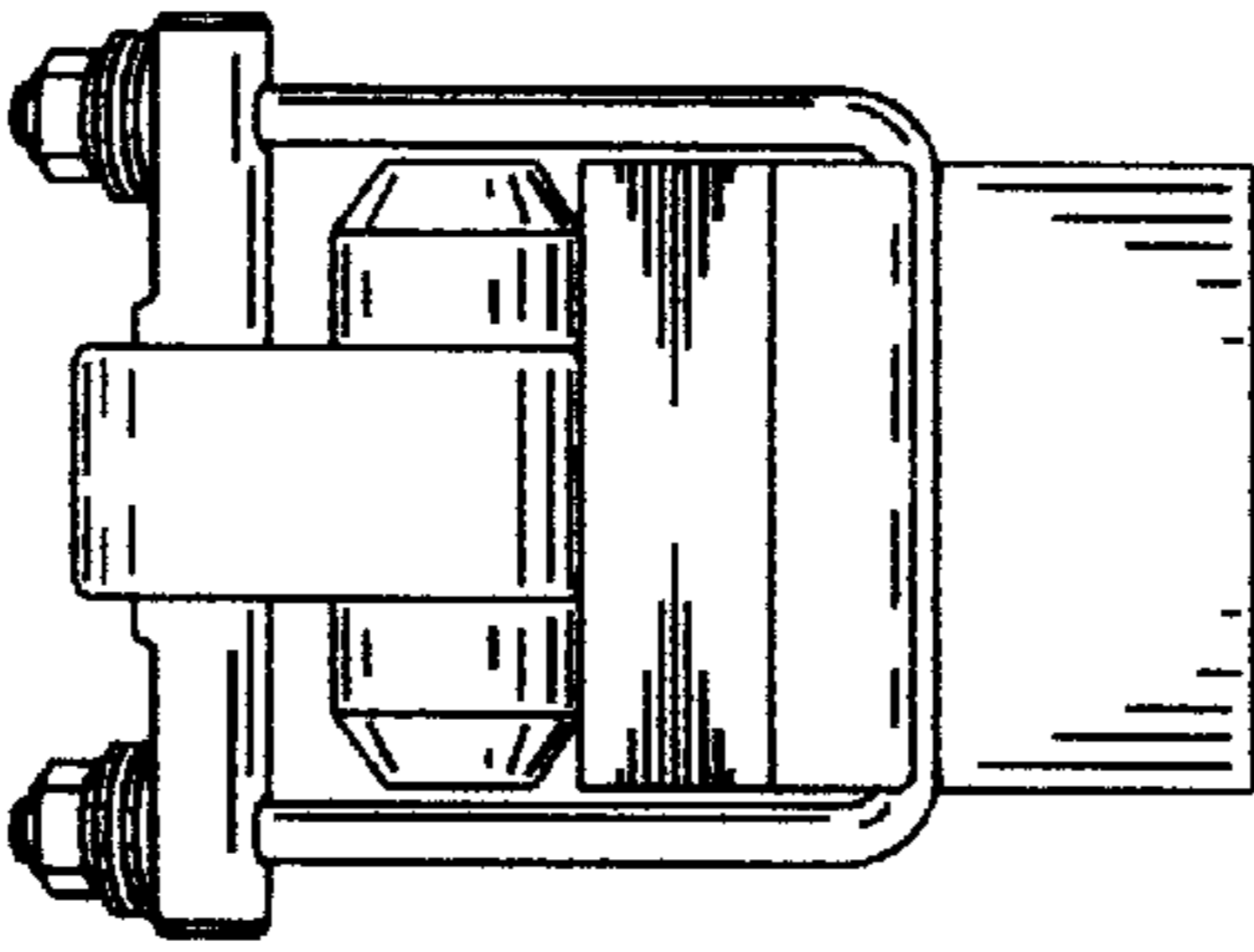


Fig. 4

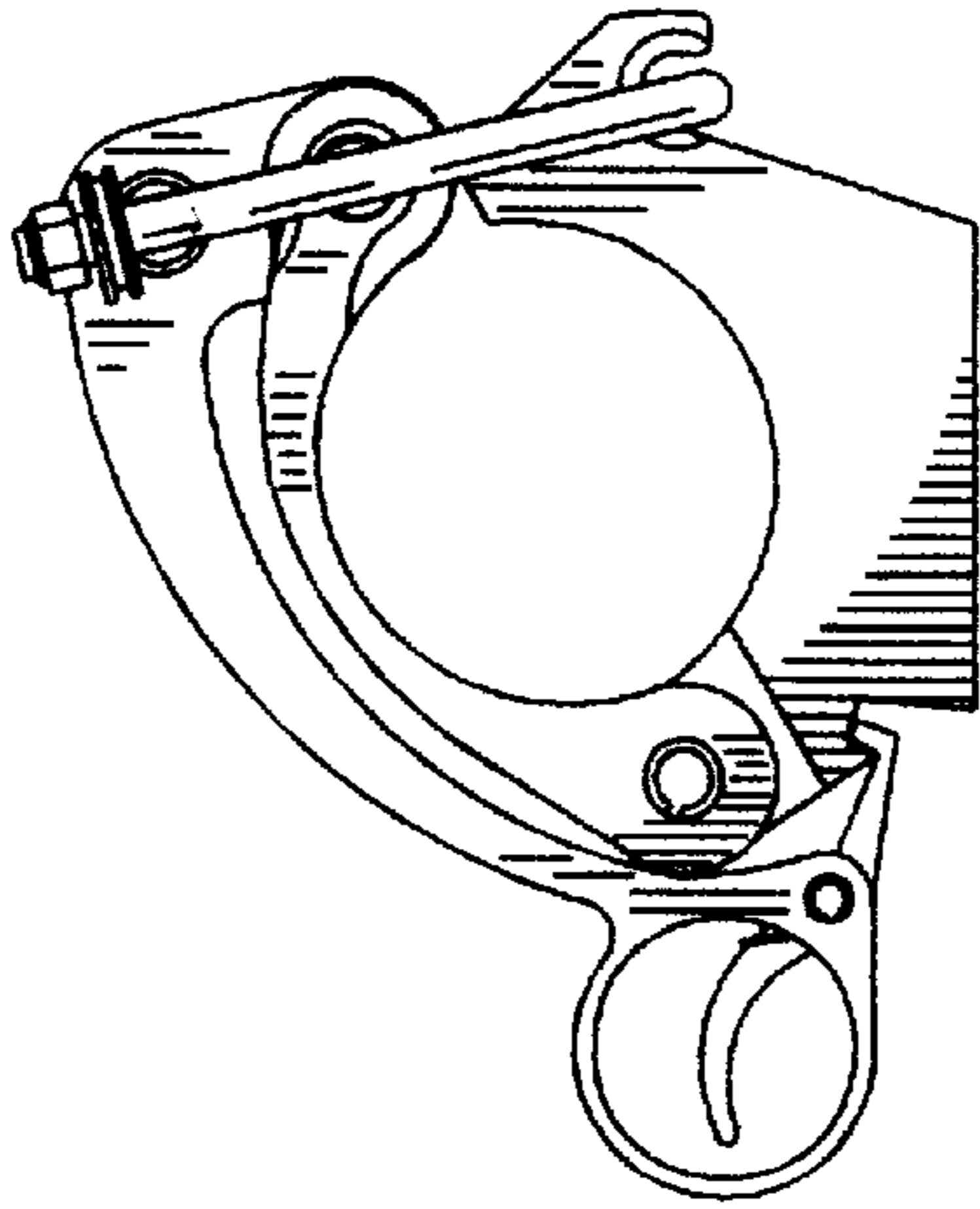


Fig. 3