



US00D431623S

United States Patent [19]
Cerritto

[11] **Patent Number: Des. 431,623**
[45] **Date of Patent: ** Oct. 3, 2000**

[54] **RIBBED HEAD-SPEED INSERT**
[76] Inventor: **Richard Cerritto**, 13 Beaver Hollow
Dr., Brick, N.J. 08724
[**] Term: **14 Years**
[21] Appl. No.: **29/100,004**
[22] Filed: **Feb. 1, 1999**
[51] **LOC (7) Cl.** **21-02**
[52] **U.S. Cl.** **D21/759; D21/789**
[58] **Field of Search** D21/789, 757,
D21/756, 759; 473/317, 319-321, 294,
299

5,024,438 6/1991 Candow 473/294
5,390,921 2/1995 De Ruyter 473/299
5,511,785 4/1996 Rusin, Jr. 473/286
5,735,752 4/1998 Antonious 473/317

Primary Examiner—Mitchell Siegel

[57] **CLAIM**

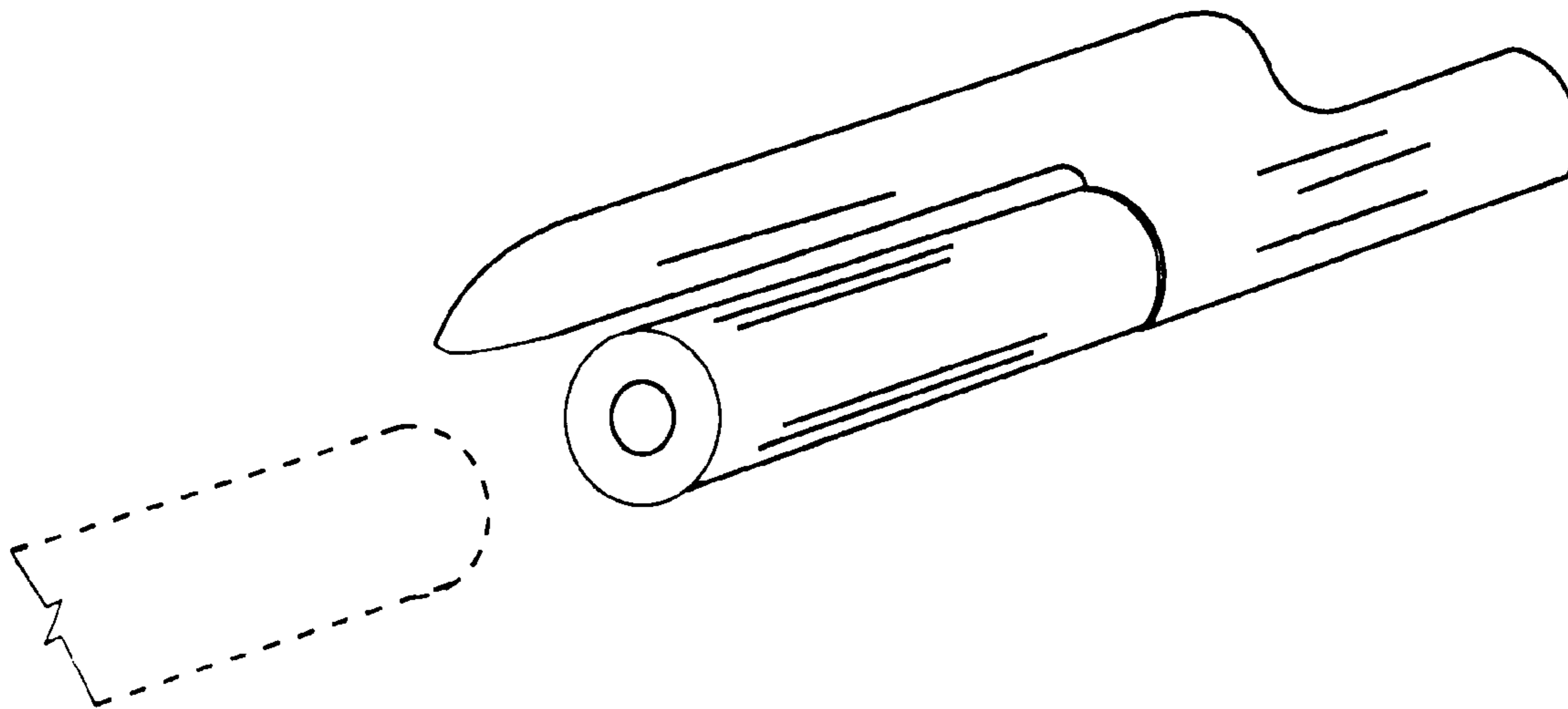
I claim the ribbed head-speed insert, as shown and described.

DESCRIPTION

FIG. 1 is a perspective view of the ribbed head-speed insert, the fragmented broken line showing of the shaft is for illustrative purposes only and forms no part of the claimed design;
FIG. 2 is a left side elevational view thereof;
FIG. 3 is a top plan view thereof;
FIG. 4 is a end view thereof; and,
FIG. 5 is an end view thereof.
The golf club shaft is shown in broken lines for illustrative purposes only and forms no part of the claimed design.

[56] **References Cited**
U.S. PATENT DOCUMENTS
D. 308,713 6/1990 Sherry D21/791
D. 359,541 6/1995 Lamanna D21/757
D. 362,480 9/1995 Reaves D21/789
D. 364,436 11/1995 Thomas D21/757
D. 370,953 6/1996 Visalli D21/756

1 Claim, 1 Drawing Sheet



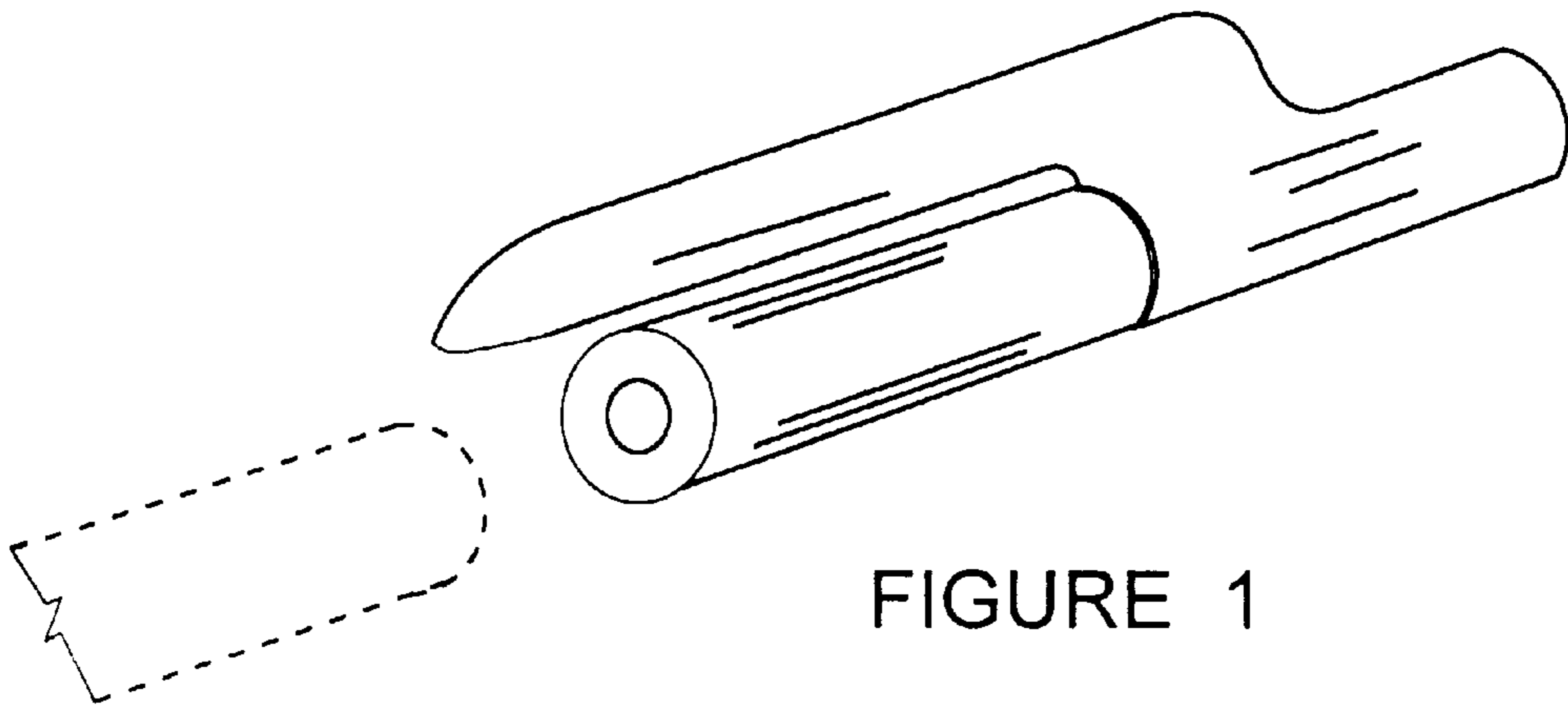


FIGURE 1

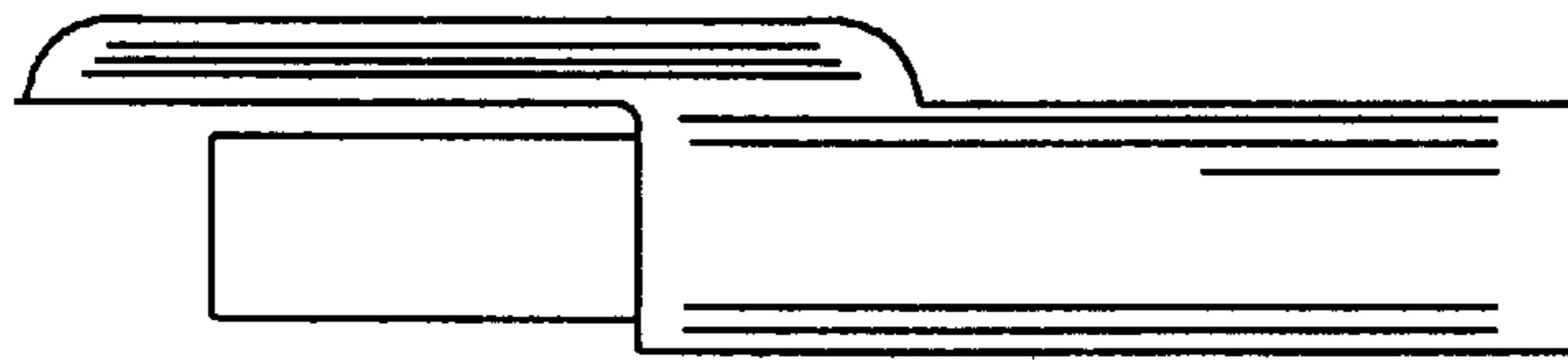


FIGURE 2

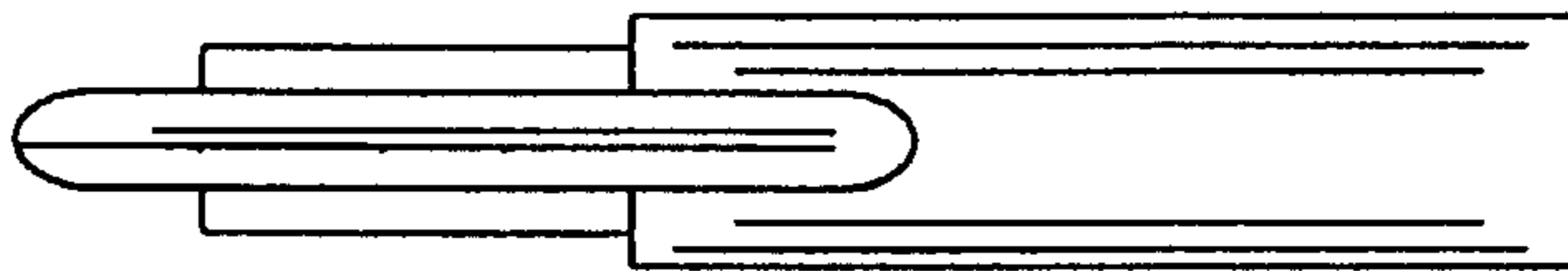


FIGURE 3

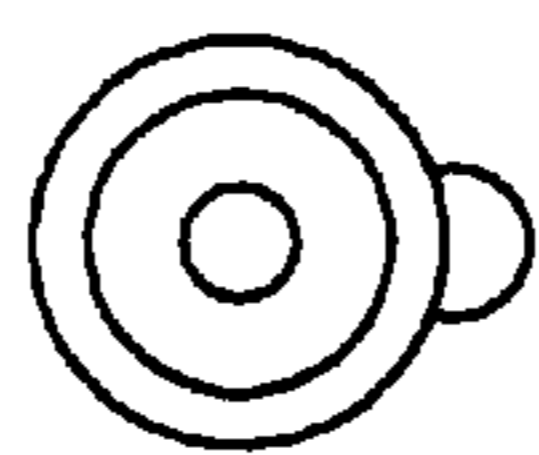


FIGURE 4

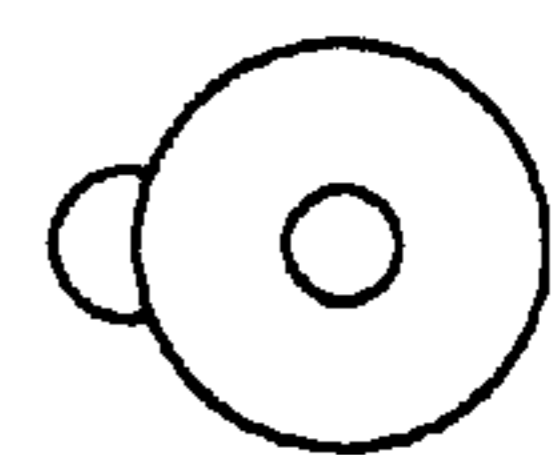


FIGURE 5