



US00D431621S

# United States Patent [19]

[11] Patent Number: Des. 431,621

Pagotto et al.

[45] Date of Patent: \*\* Oct. 3, 2000

[54] **HOCKEY GOALIE STICK**

[75] Inventors: **John Pagotto; Alain Bellefleur**, both of Quebec, Canada

[73] Assignee: **Sport Maska Inc.**, Westmount, Canada

[\*\*] Term: **14 Years**

[21] Appl. No.: **29/091,526**

[22] Filed: **Jul. 31, 1998**

[51] **LOC (7) Cl.** ..... **21-02**

[52] **U.S. Cl.** ..... **D21/727**

[58] **Field of Search** ..... D21/727; 473/530-563, 473/471, 446

[56] **References Cited**

**U.S. PATENT DOCUMENTS**

D. 241,758	10/1976	Matilainen	.....	D21/727
4,340,224	7/1982	Staats	.....	473/560
4,544,157	10/1985	Curtis	.....	473/560
5,839,977	11/1998	Mauer et al.	.....	473/560

*Primary Examiner*—Mitchell Siegel  
*Attorney, Agent, or Firm*—Robic

[57] **CLAIM**

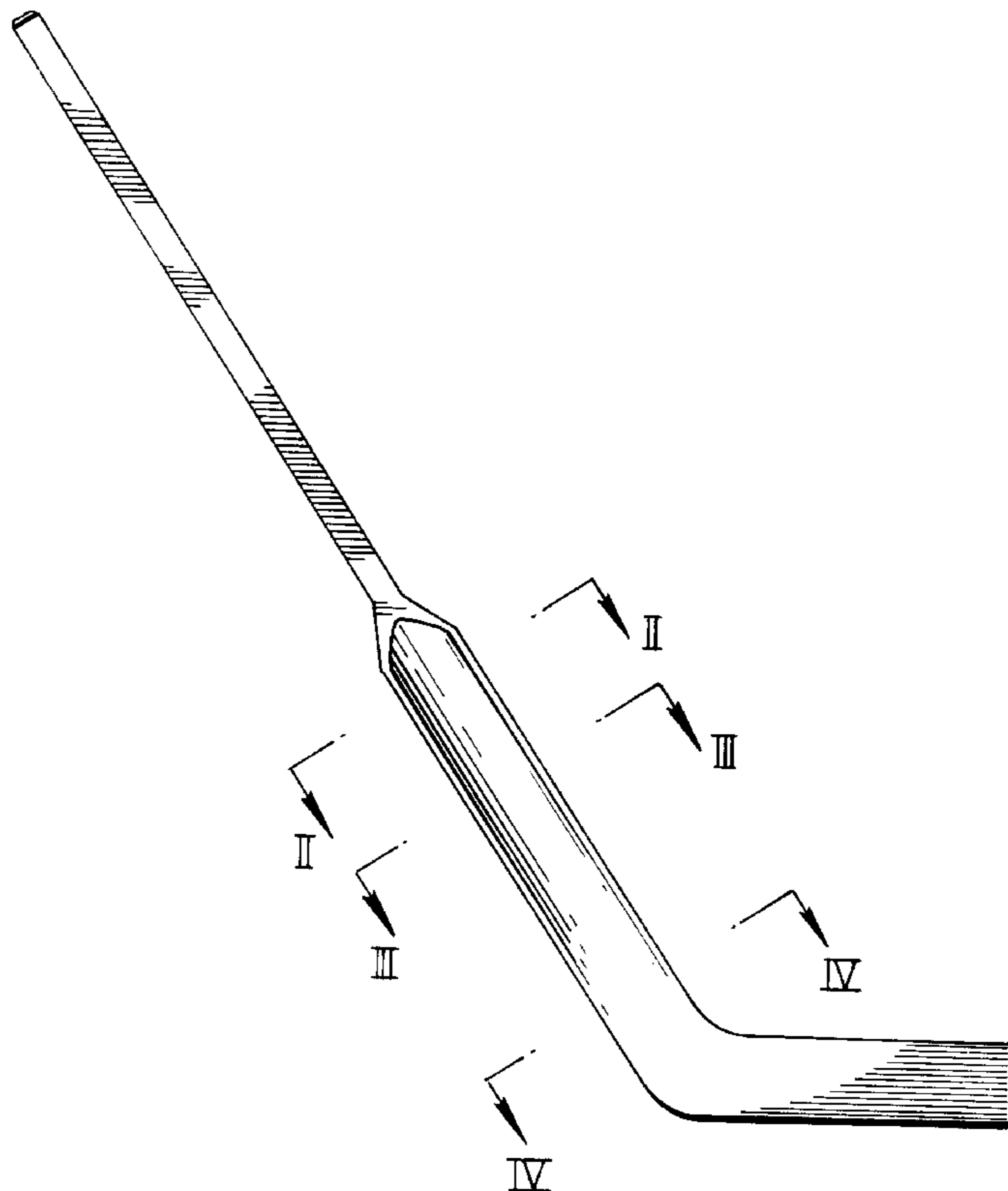
The ornamental design for a hockey goalie stick, as shown and described.

**DESCRIPTION**

FIG. 1 is a side elevation view of the hockey goalie stick;

FIG. 2 is an enlarged cross sectional view along lines 2—2 of the hockey goalie stick of FIG. 1;  
 FIG. 3 is an enlarged cross sectional view along lines 3—3 of the hockey goalie stick of FIG. 1;  
 FIG. 4 is an enlarged cross sectional view along lines 4—4 of the hockey goalie stick of FIG. 1;  
 FIG. 5 is a side elevation view of a hockey goalie stick, the broken away portion shown for ease of illustration;  
 FIG. 6 is a top plan view of the hockey goalie stick of FIG. 5;  
 FIG. 7 is a bottom plan view of the hockey goalie stick of FIG. 5;  
 FIG. 8 is a left side elevation view of the hockey goalie stick of FIG. 5;  
 FIG. 9 is a right side elevation view of the hockey goalie stick of FIG. 5;  
 FIG. 10 is an enlarged cross sectional view along lines 10—10 of the hockey goalie stick of FIG. 5;  
 FIG. 11 is a side elevation view of a second embodiment of a hockey goalie stick, the broken away portion shown for ease of illustration;  
 FIG. 12 is a top plan view of the hockey goalie stick of FIG. 11;  
 FIG. 13 is a bottom plan view of the hockey goalie stick of FIG. 11;  
 FIG. 14 is a left side elevation view of a variant of the hockey goalie stick of FIG. 11; and,  
 FIG. 15 is a right side elevation view of a variant of the hockey goalie stick of FIG. 11.  
 The undisclosed sides of the second embodiment are identical to those disclosed in the first embodiment.

**1 Claim, 7 Drawing Sheets**



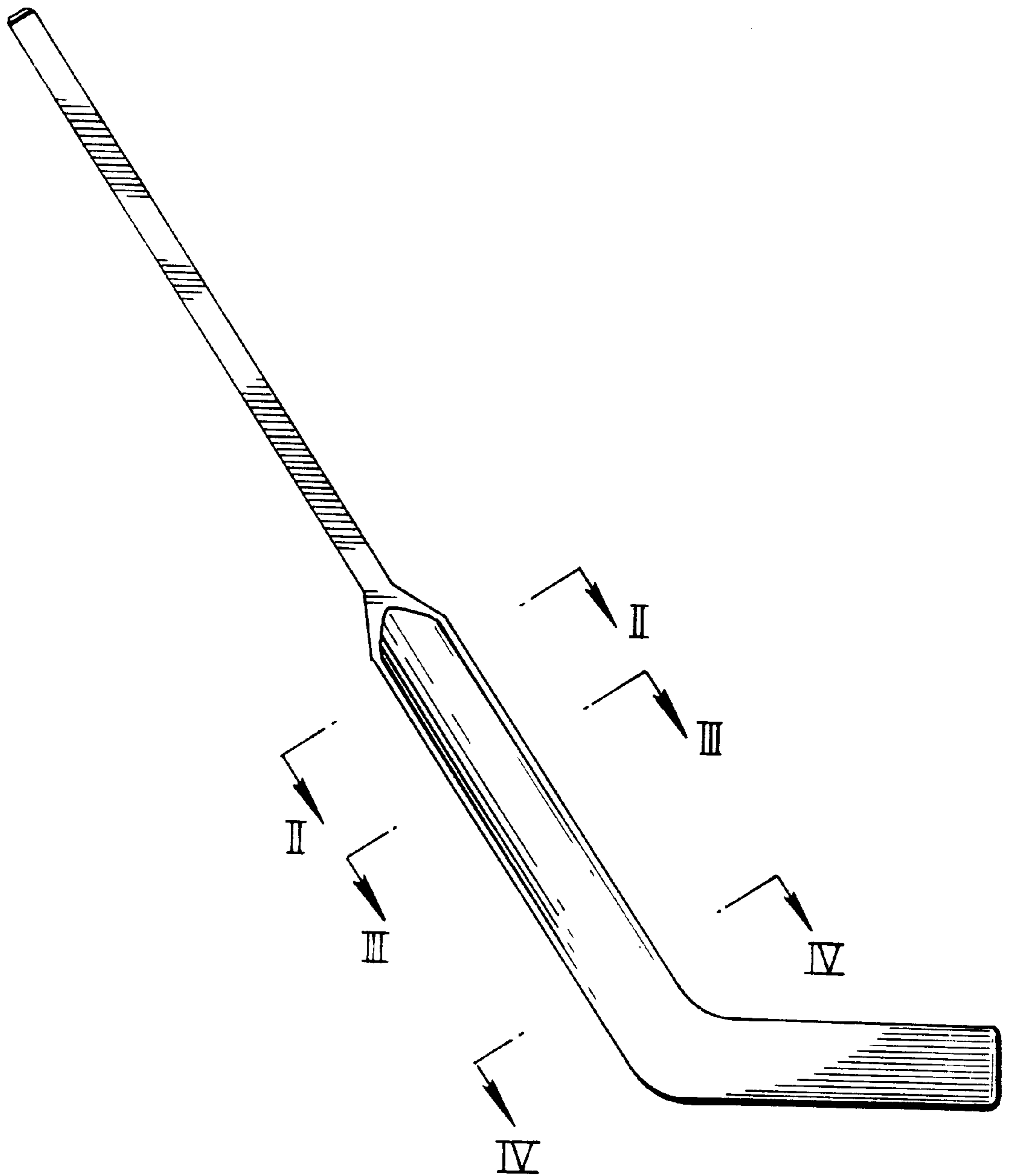


FIG. 1

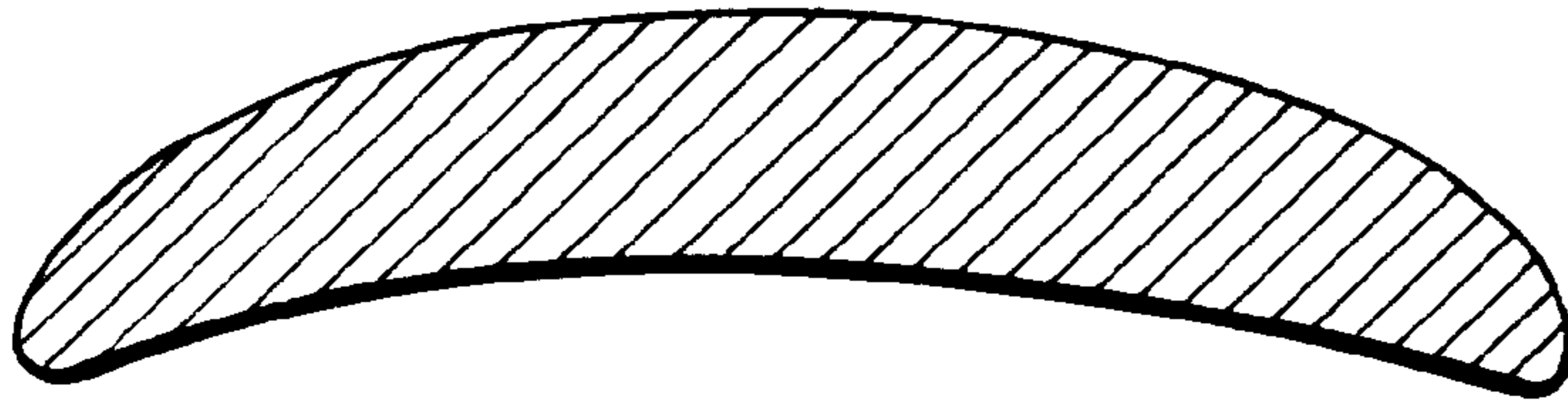


FIG. 2

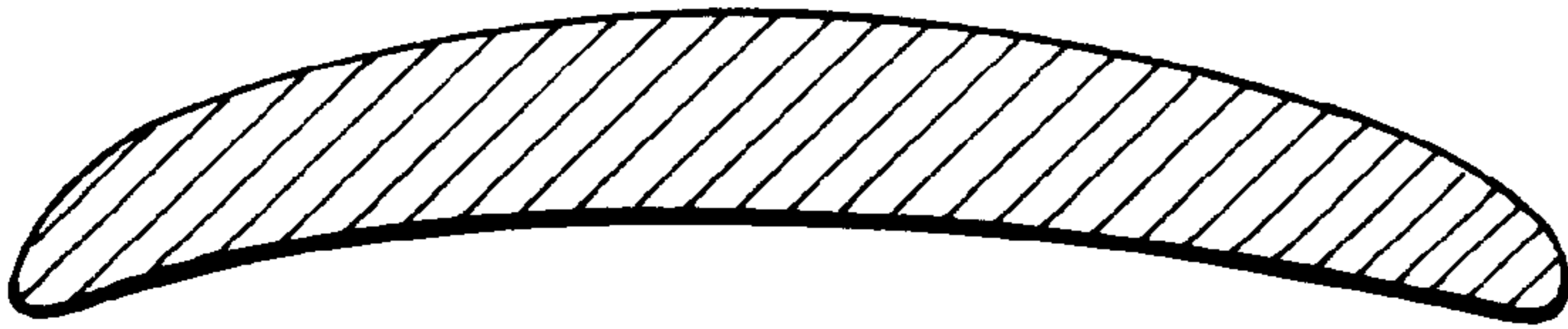


FIG. 3

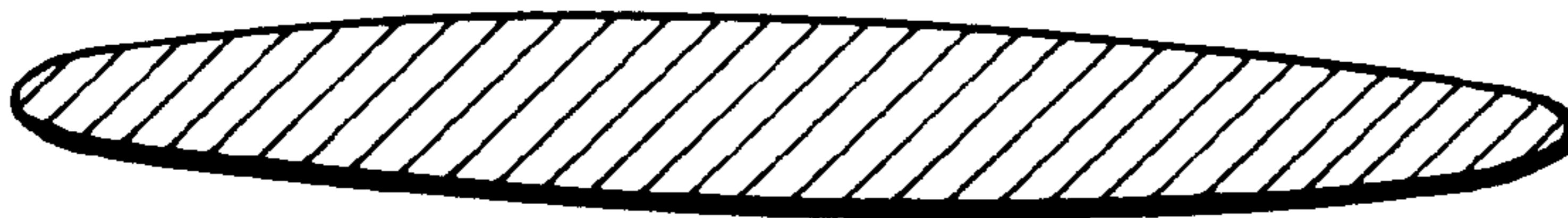


FIG. 4

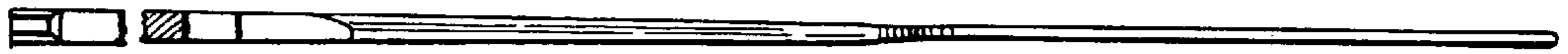


FIG. 6

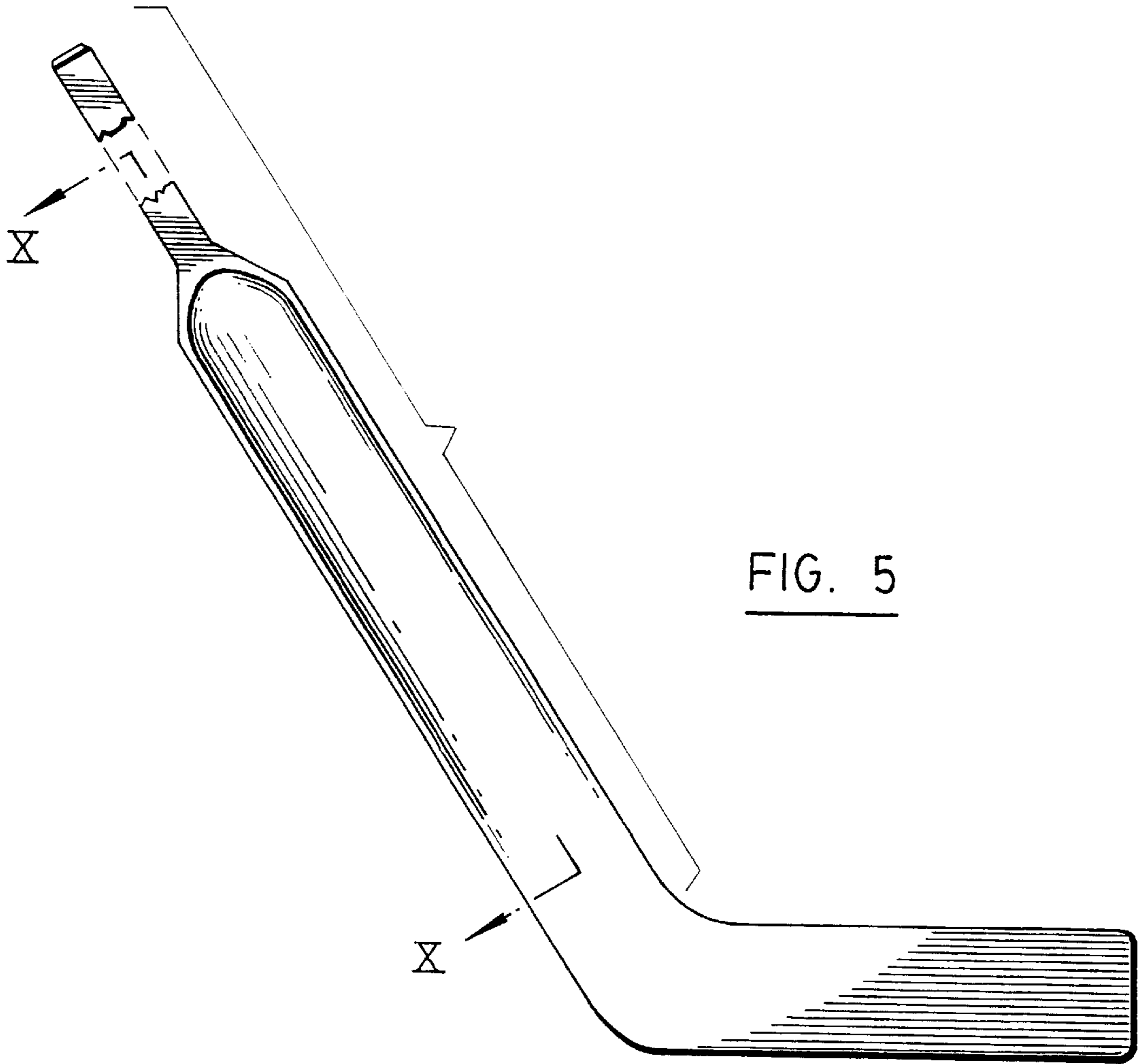


FIG. 5



FIG. 7



FIG. 8



FIG. 9

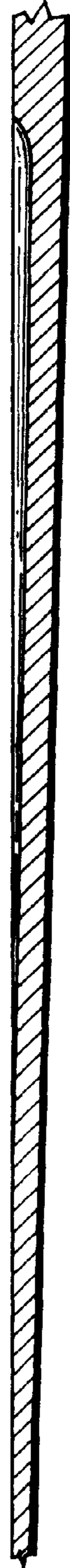


FIG. 10

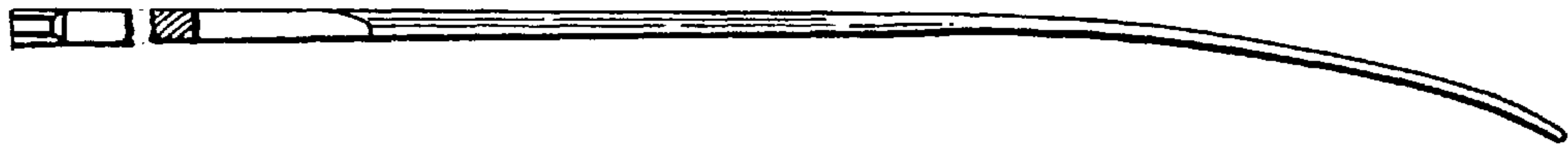


FIG. 12

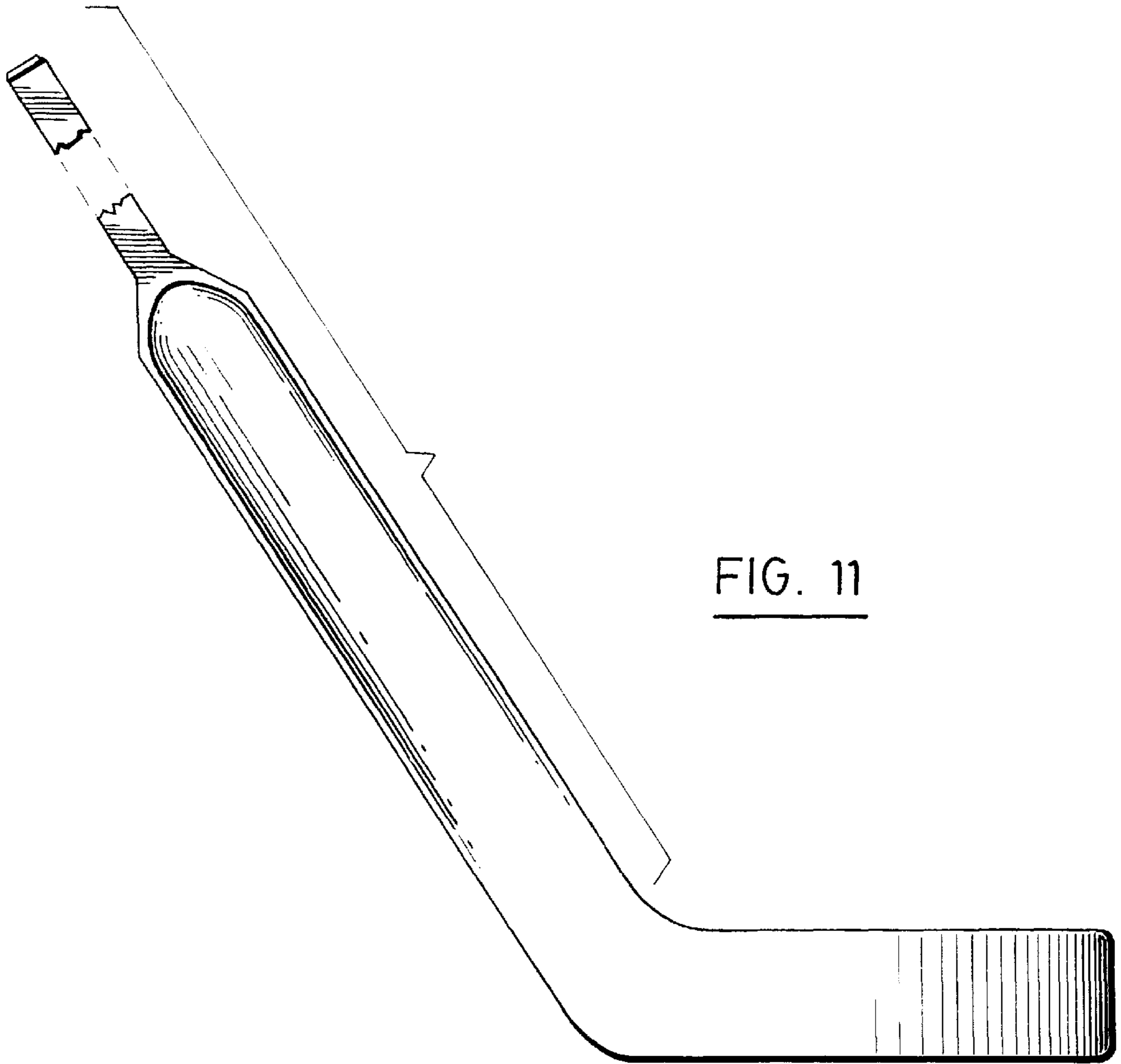


FIG. 11



FIG. 13



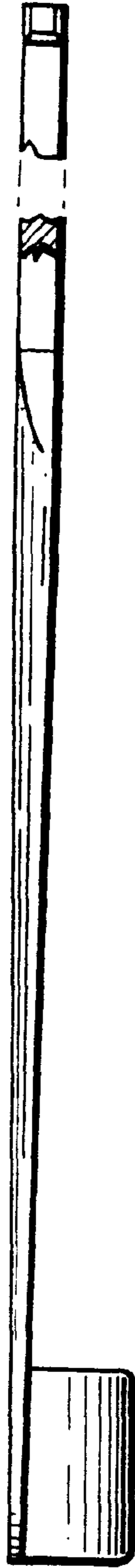


FIG. 14

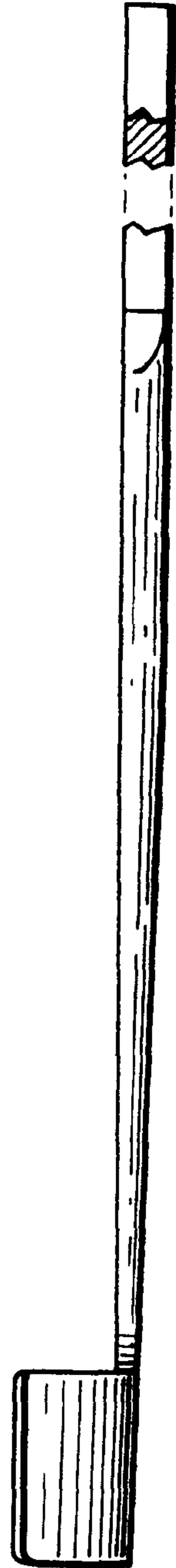


FIG. 15