



US00D431620S

**United States Patent** [19]  
**Hill**

[11] **Patent Number: Des. 431,620**

[45] **Date of Patent: \*\* Oct. 3, 2000**

[54] **BASKETBALL GOAL**

[75] Inventor: **Peter C. Hill**, Plano, Tex.

[73] Assignee: **Spang & Company**, Butler, Pa.

[\*\*] Term: **14 Years**

[21] Appl. No.: **29/100,134**

[22] Filed: **Feb. 5, 1999**

[51] **LOC (7) Cl.** ..... **21-02**

[52] **U.S. Cl.** ..... **D21/704**

[58] **Field of Search** ..... D21/701-704,  
D21/781; 473/449, 479, 481, 482, 485,  
447; 273/389

[56] **References Cited**

**U.S. PATENT DOCUMENTS**

4,244,569	1/1981	Wong	.....	273/389
4,915,381	4/1990	Hacket	.....	473/447
5,358,237	10/1994	Yu	.....	273/389
5,626,339	5/1997	Schickert et al.	.....	473/481

*Primary Examiner*—Richelle Shelton  
*Attorney, Agent, or Firm*—Kirkpatrick & Lockhart LLP

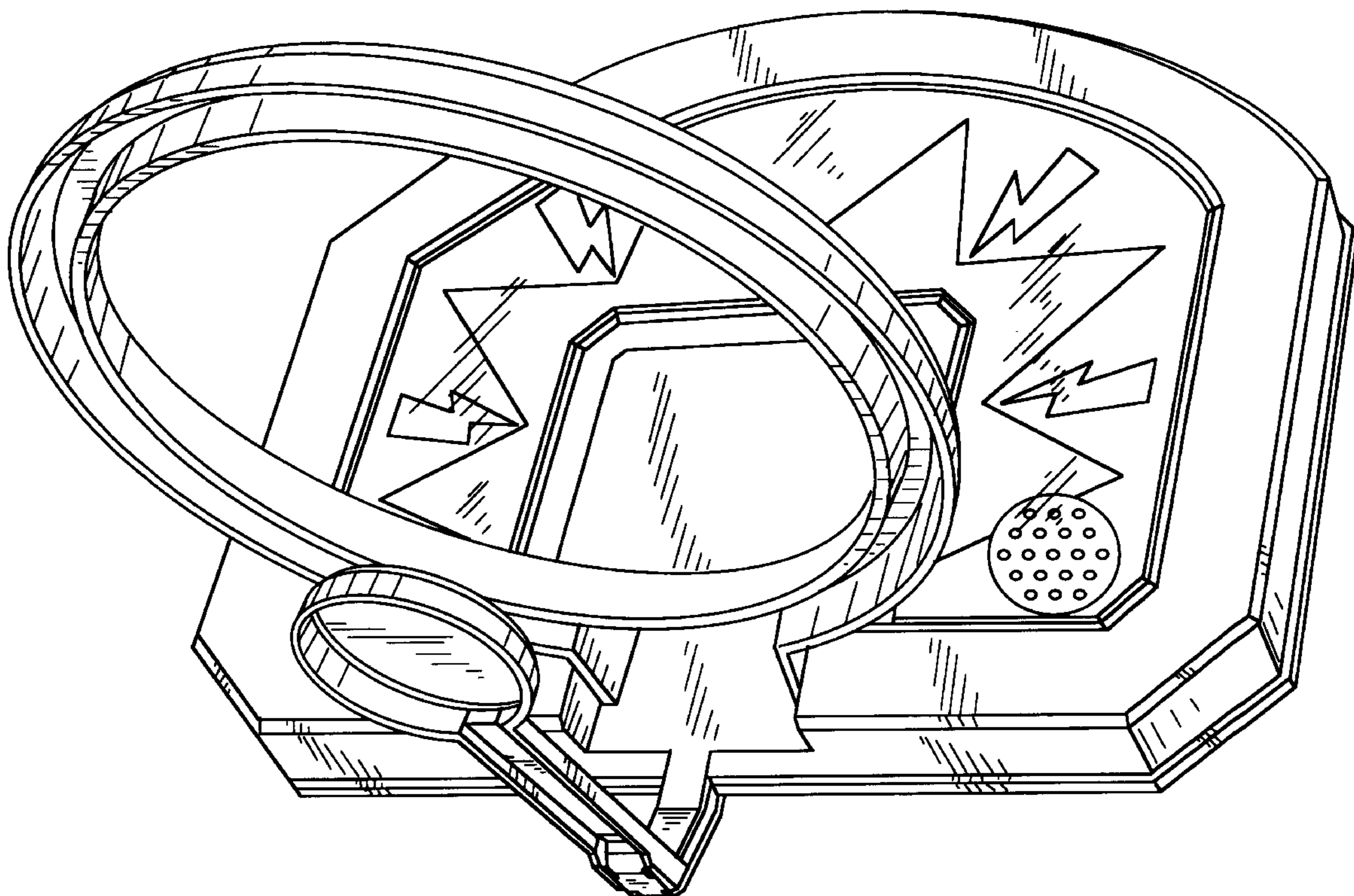
[57] **CLAIM**

The ornamental design for a basketball goal, as shown and described.

**DESCRIPTION**

FIG. 1 is a perspective view of the basketball goal constructed according to the present invention; FIG. 2 is a front elevational view of the invention illustrated in FIG. 1; FIG. 3 is a rear elevational view of the invention illustrated in FIG. 1; FIG. 4 is a top view of the invention illustrated in FIG. 1; FIG. 5 is a bottom view of the invention illustrated in FIG. 1; FIG. 6 is a left side elevational view of the invention illustrated in FIG. 1; and, FIG. 7 is a right side elevational view of the invention illustrated in FIG. 1.

**1 Claim, 7 Drawing Sheets**



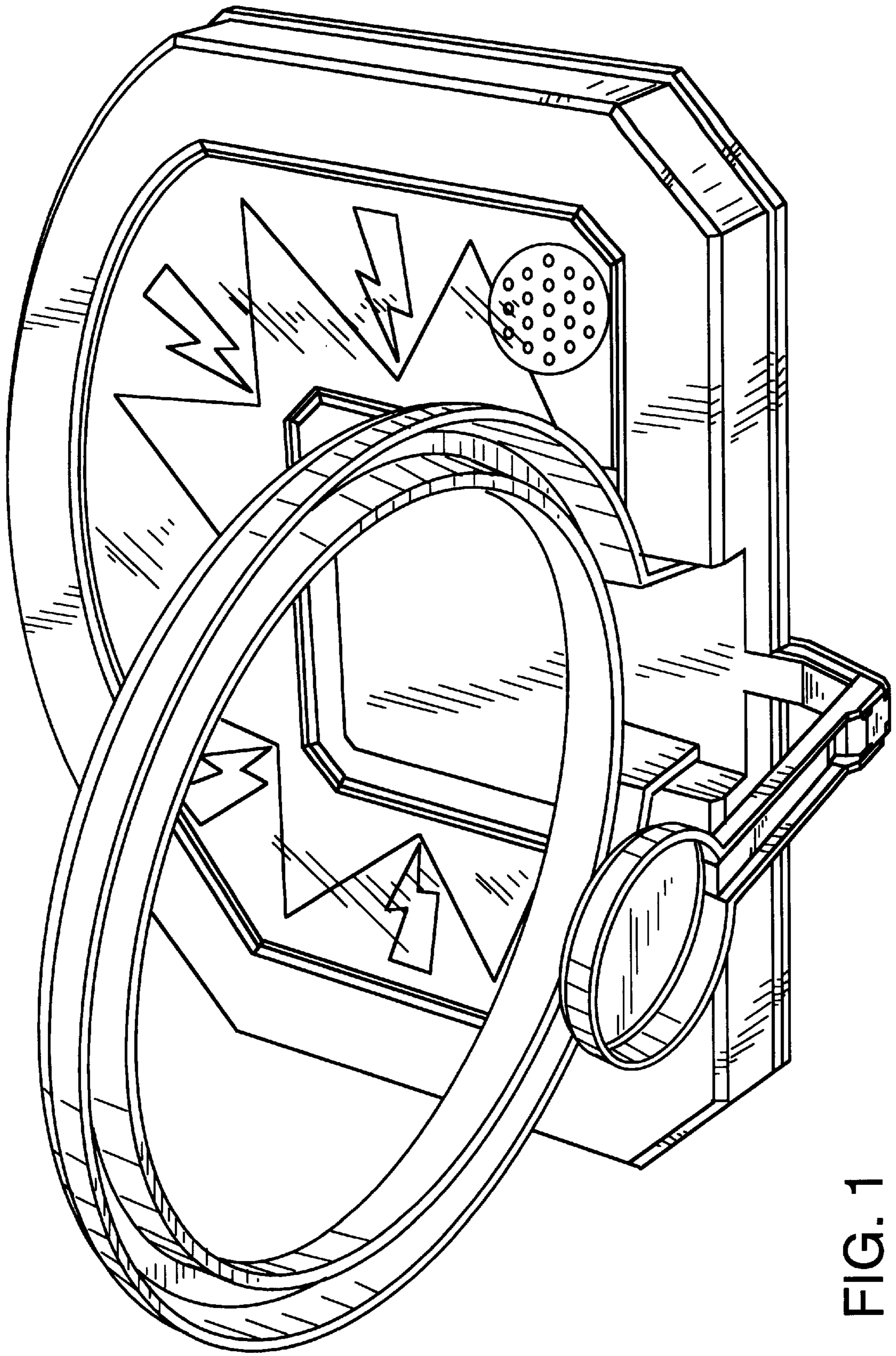


FIG. 1

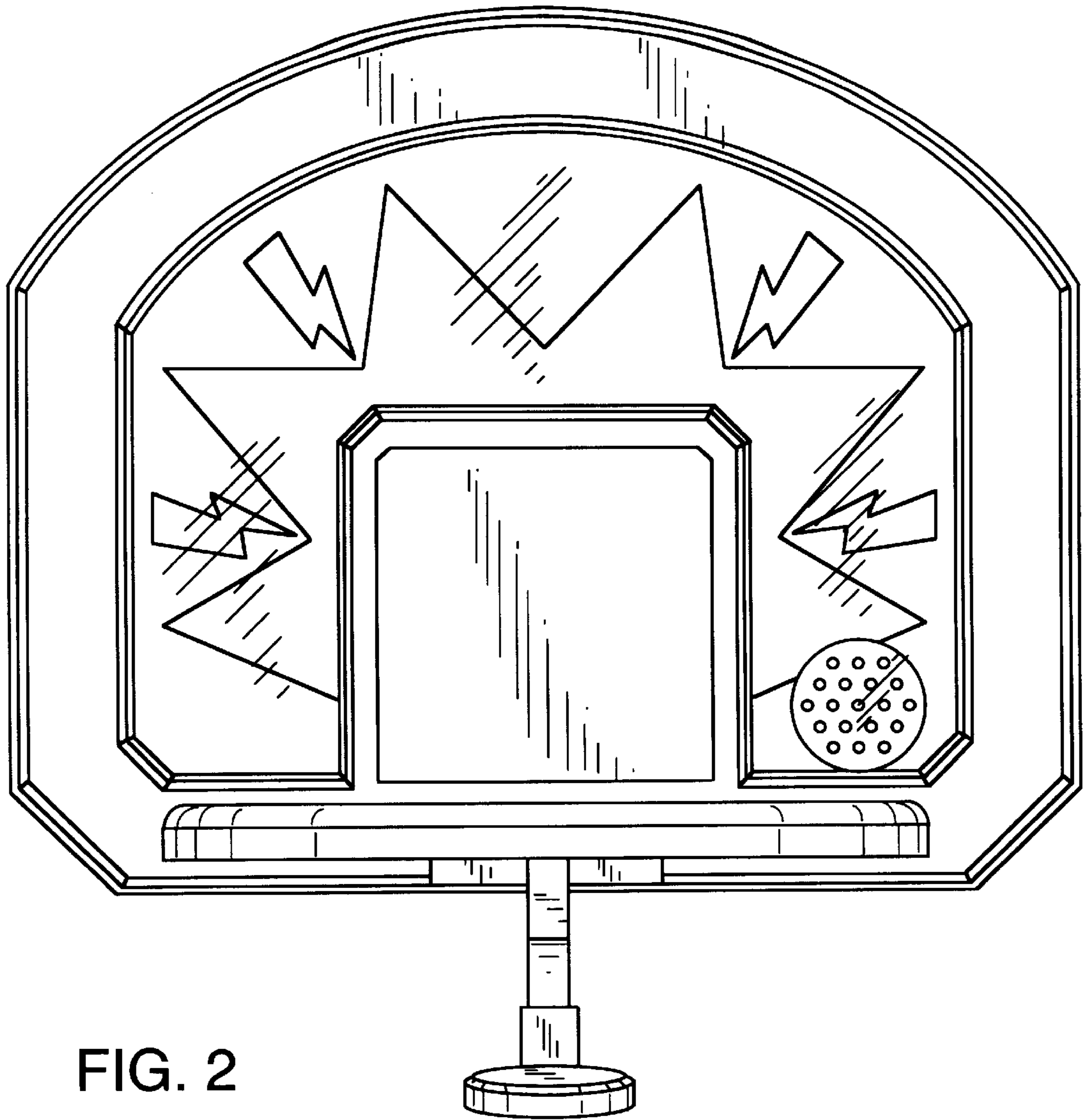


FIG. 2

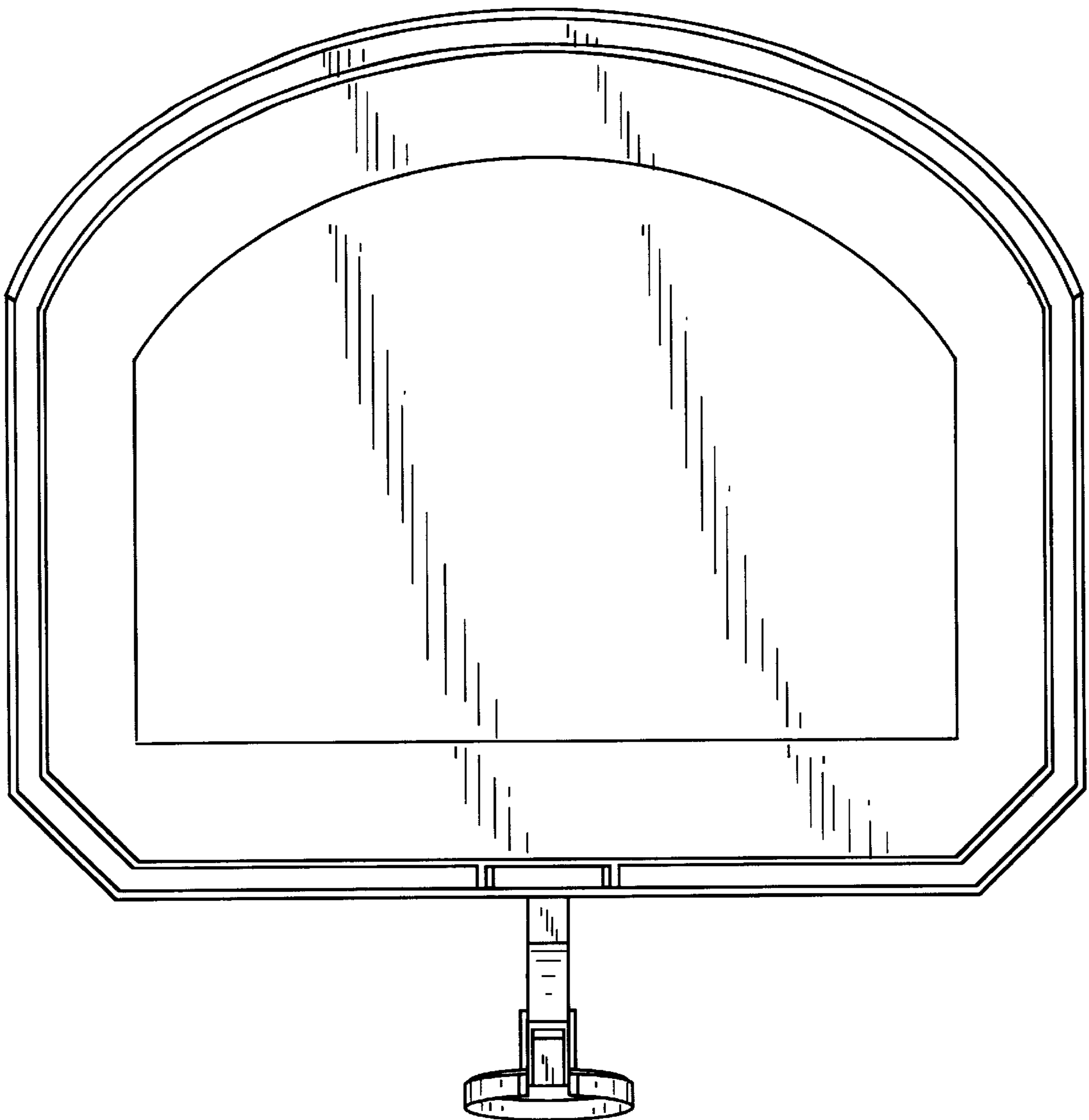


FIG. 3

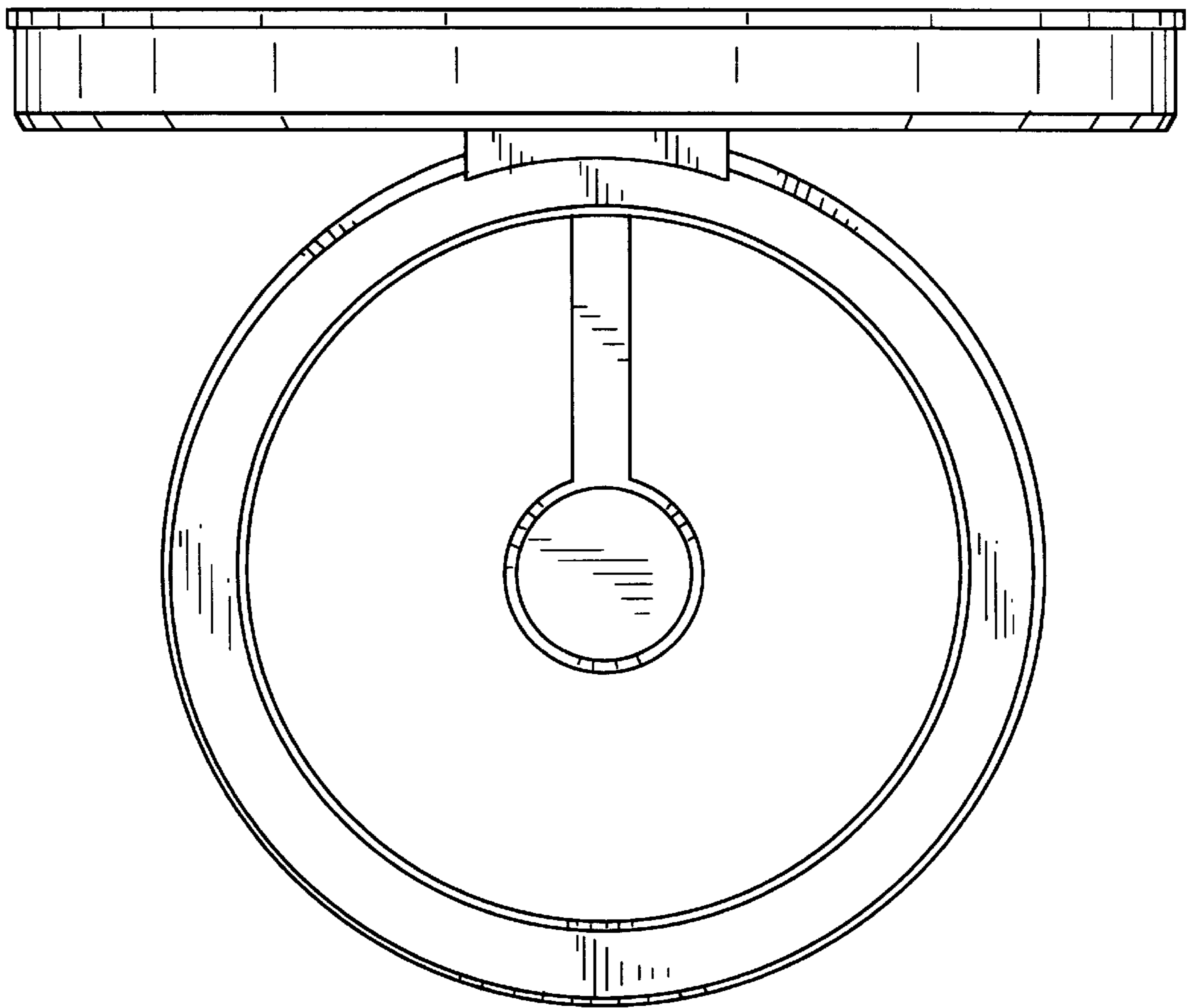


FIG. 4

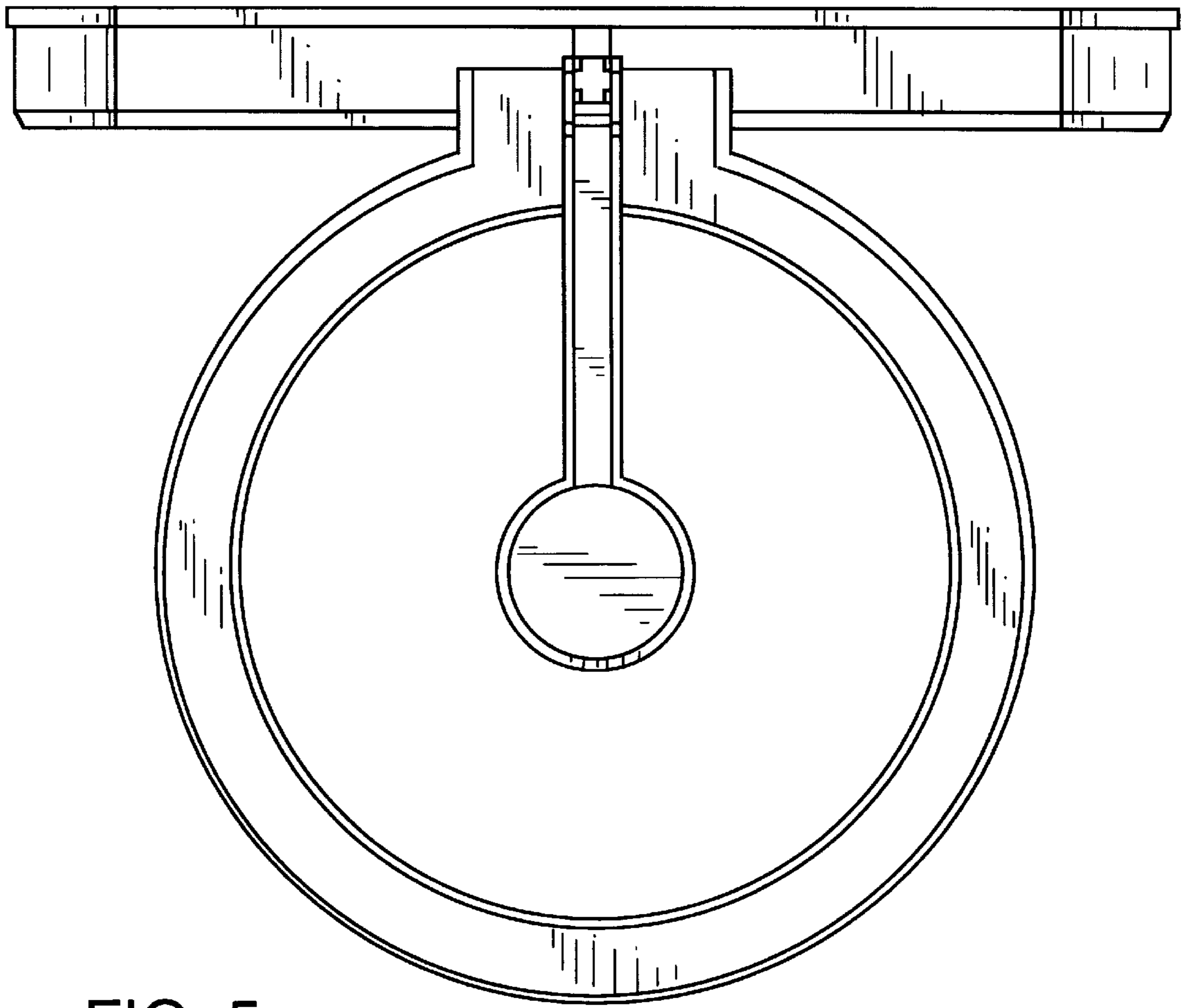


FIG. 5

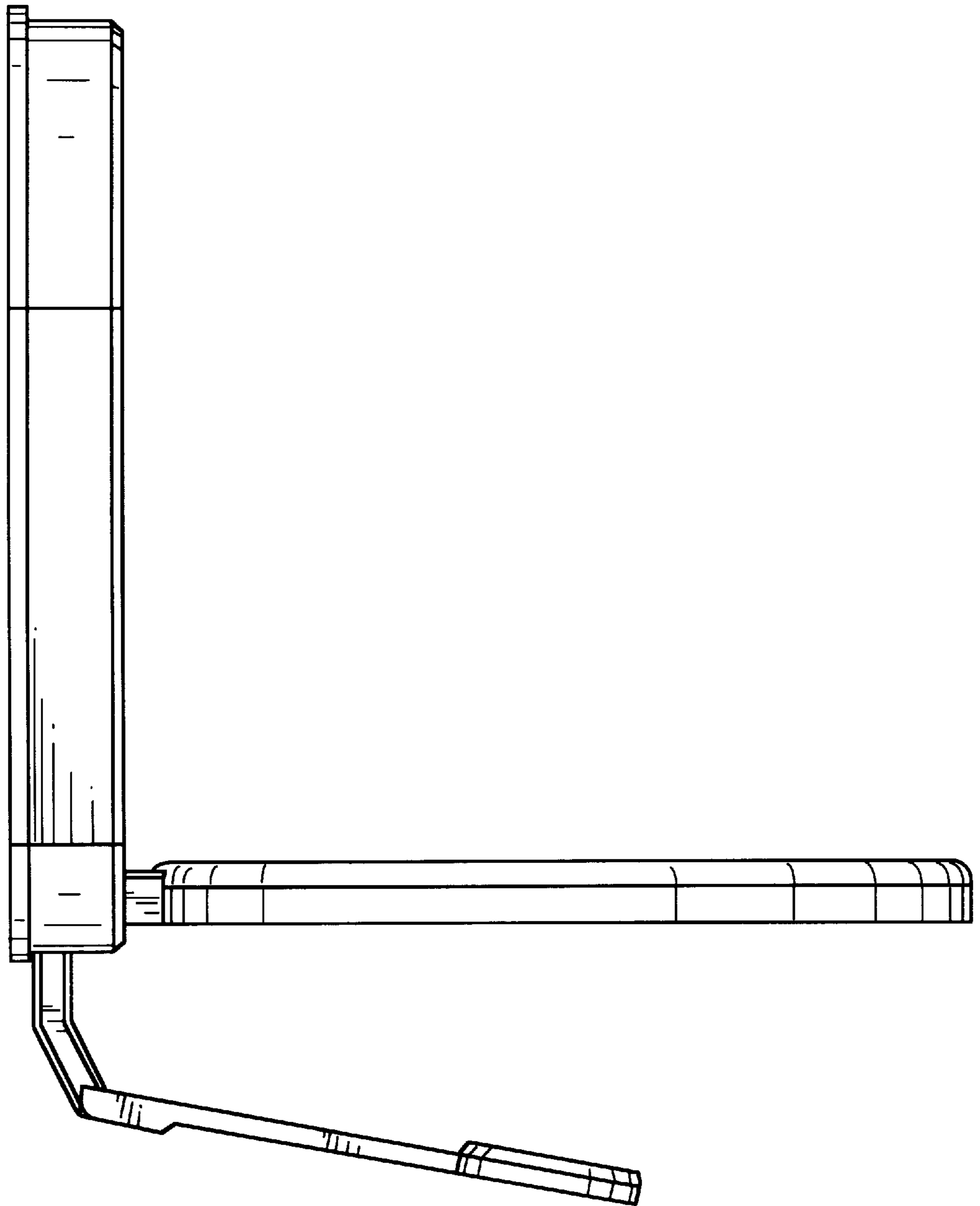


FIG. 6

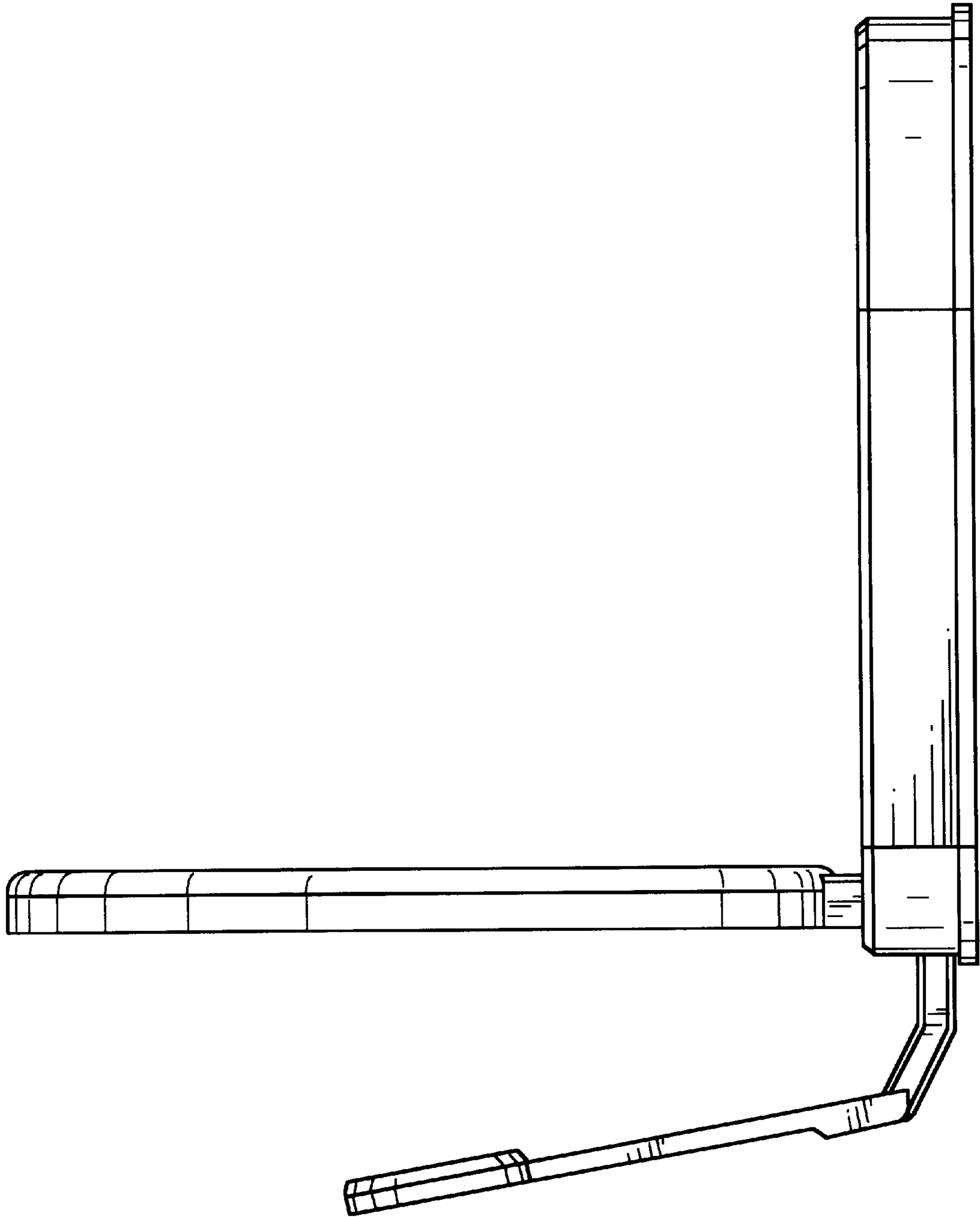


FIG. 7