



US00D431618S

**United States Patent** [19]  
**Royce**

[11] **Patent Number: Des. 431,618**  
[45] **Date of Patent: \*\* Oct. 3, 2000**

[54] **EXERCISE DEVICE**  
[76] Inventor: **Thomas Royce**, 947 Clover, Lake Geneva, Wis. 53147  
[\*\*] Term: **14 Years**  
[21] Appl. No.: **29/115,154**  
[22] Filed: **Dec. 8, 1999**  
[51] **LOC (7) Cl.** ..... **21-02**  
[52] **U.S. Cl.** ..... **D21/692; D21/662**  
[58] **Field of Search** ..... D21/692, 662, D21/684; 482/121, 122, 123, 124, 125, 126

5,318,494 6/1994 Santighian ..... 482/125  
5,328,433 7/1994 Berman ..... 482/122  
5,857,945 1/1999 Papp et al. .... 482/124

*Primary Examiner*—Philip S. Hyder  
*Attorney, Agent, or Firm*—Goldstein & Canino

[57] **CLAIM**

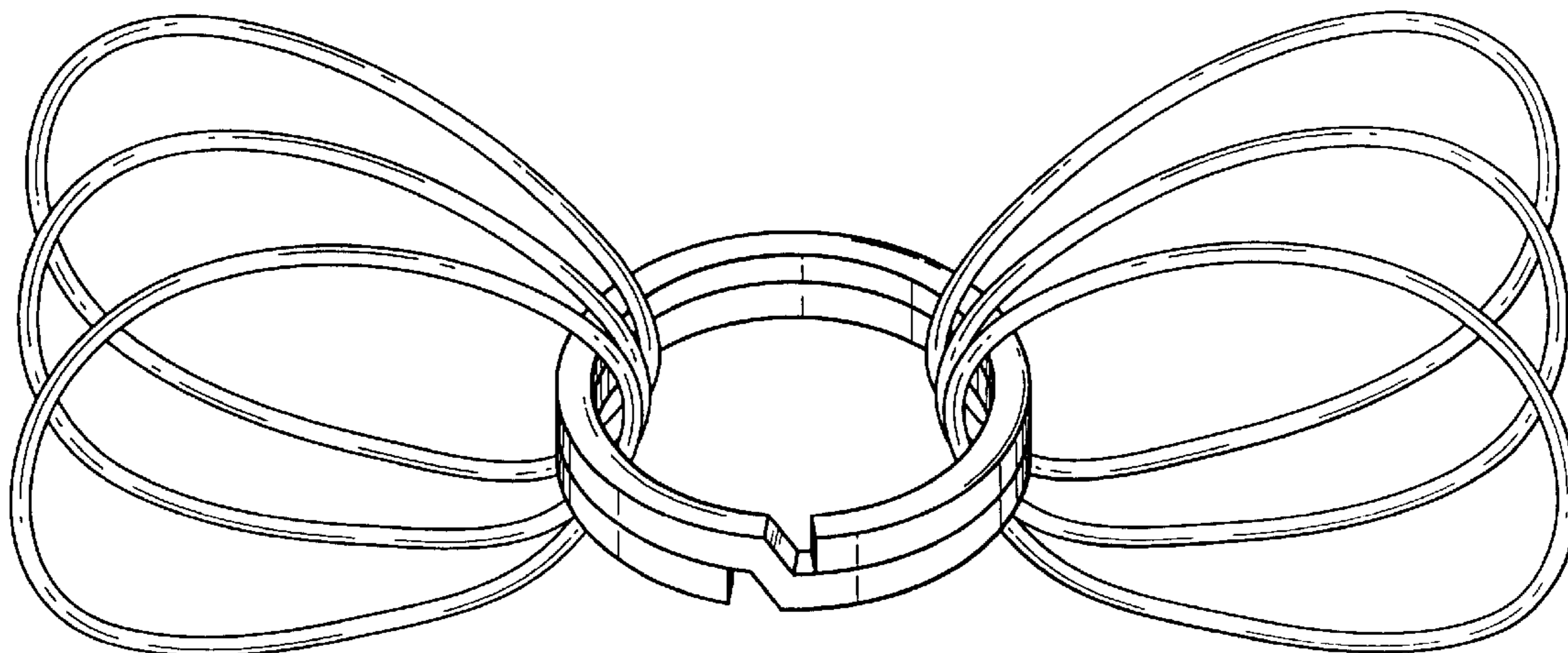
The ornamental design for an exercise device, as shown and described.

**DESCRIPTION**

FIG. 1 is a perspective view of an exercise device.  
FIG. 2 is a front elevational view thereof.  
FIG. 3 is a rear elevational view thereof.  
FIG. 4 is a top plan view of the exercise device, the bottom plan view being a mirror image of the top plan view; and, FIG. 5 is a left side elevational view thereof, the right side elevational view being a mirror image of the left side elevational view.

[56] **References Cited**  
**U.S. PATENT DOCUMENTS**  
D. 301,271 5/1989 Greenfeld et al. .... D21/692  
3,966,204 6/1976 Dubach .  
4,889,336 12/1989 Schneiderman ..... 482/125  
4,909,505 3/1990 Tee ..... 482/126

**1 Claim, 2 Drawing Sheets**



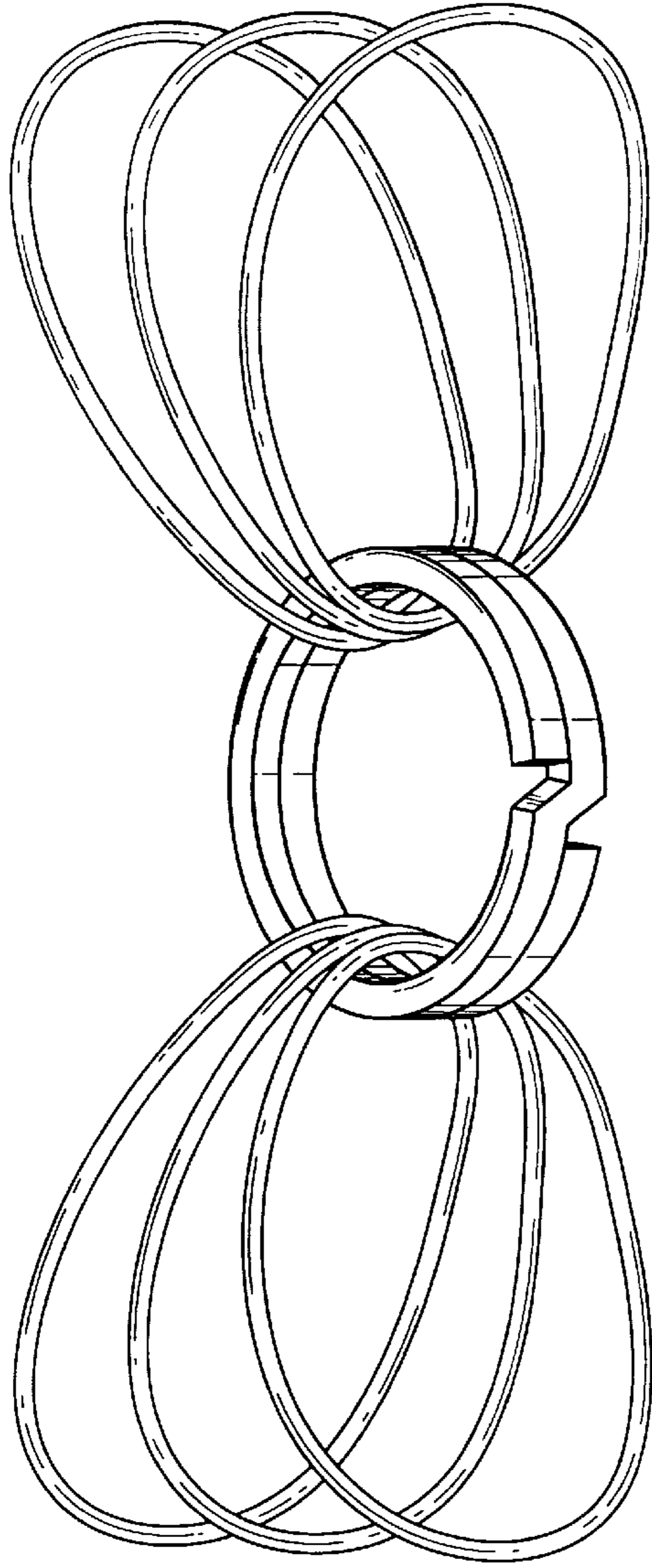


FIG. 1

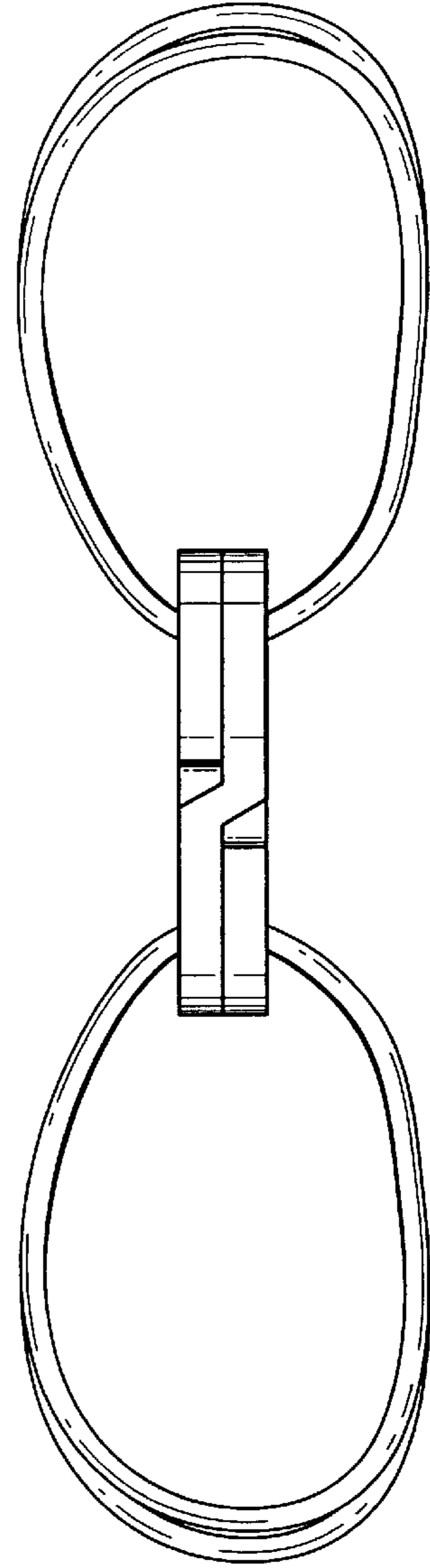


FIG. 2

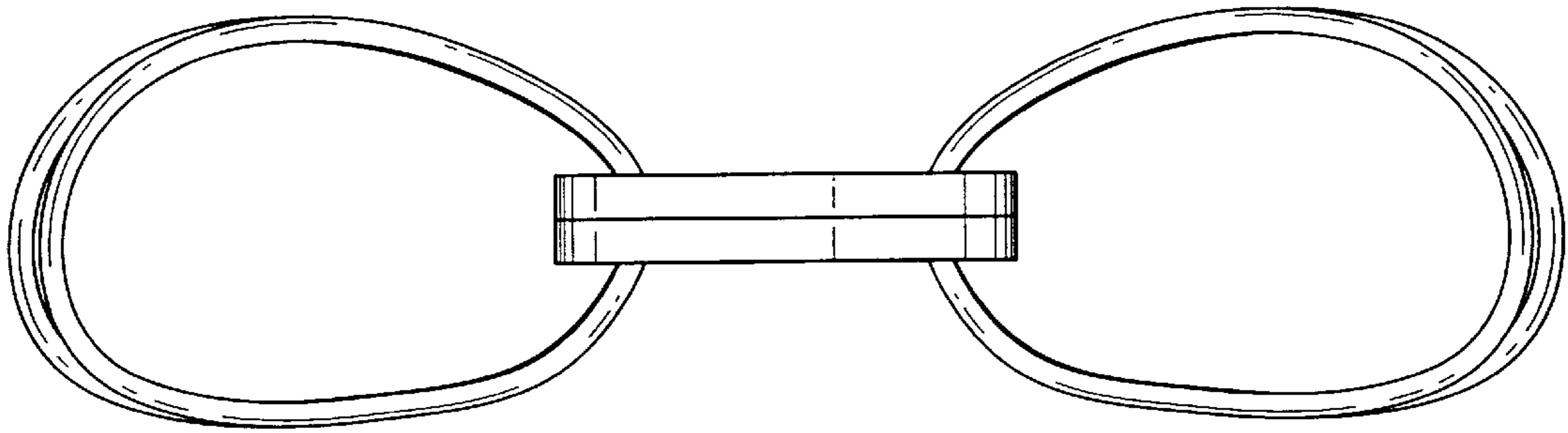


FIG. 3

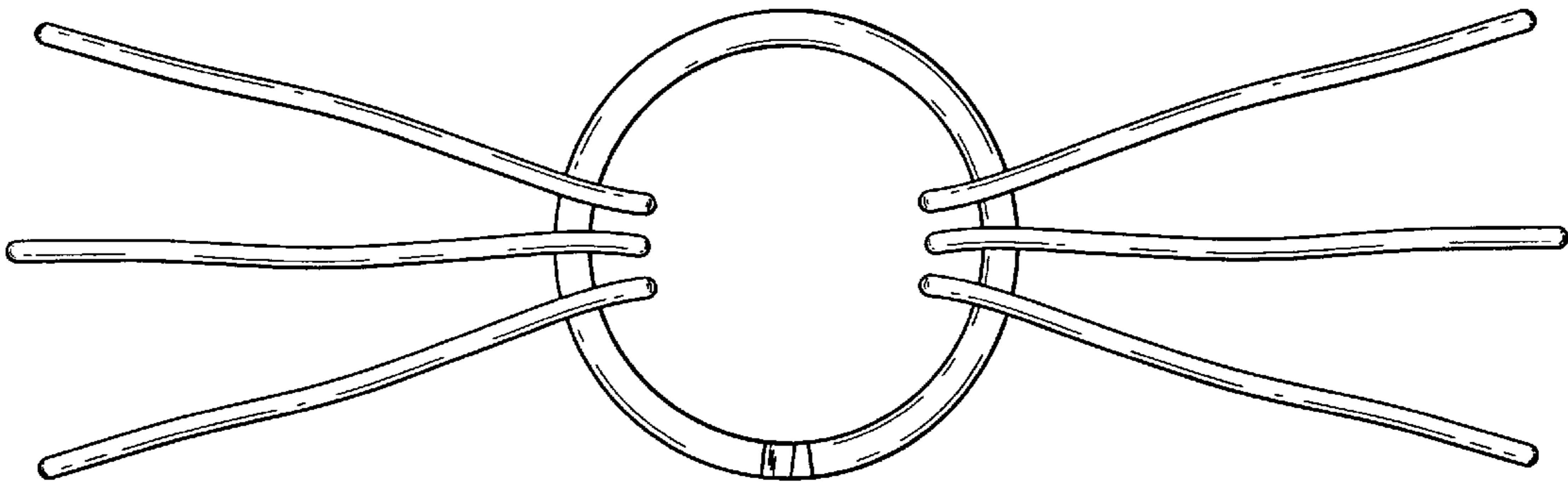


FIG. 4

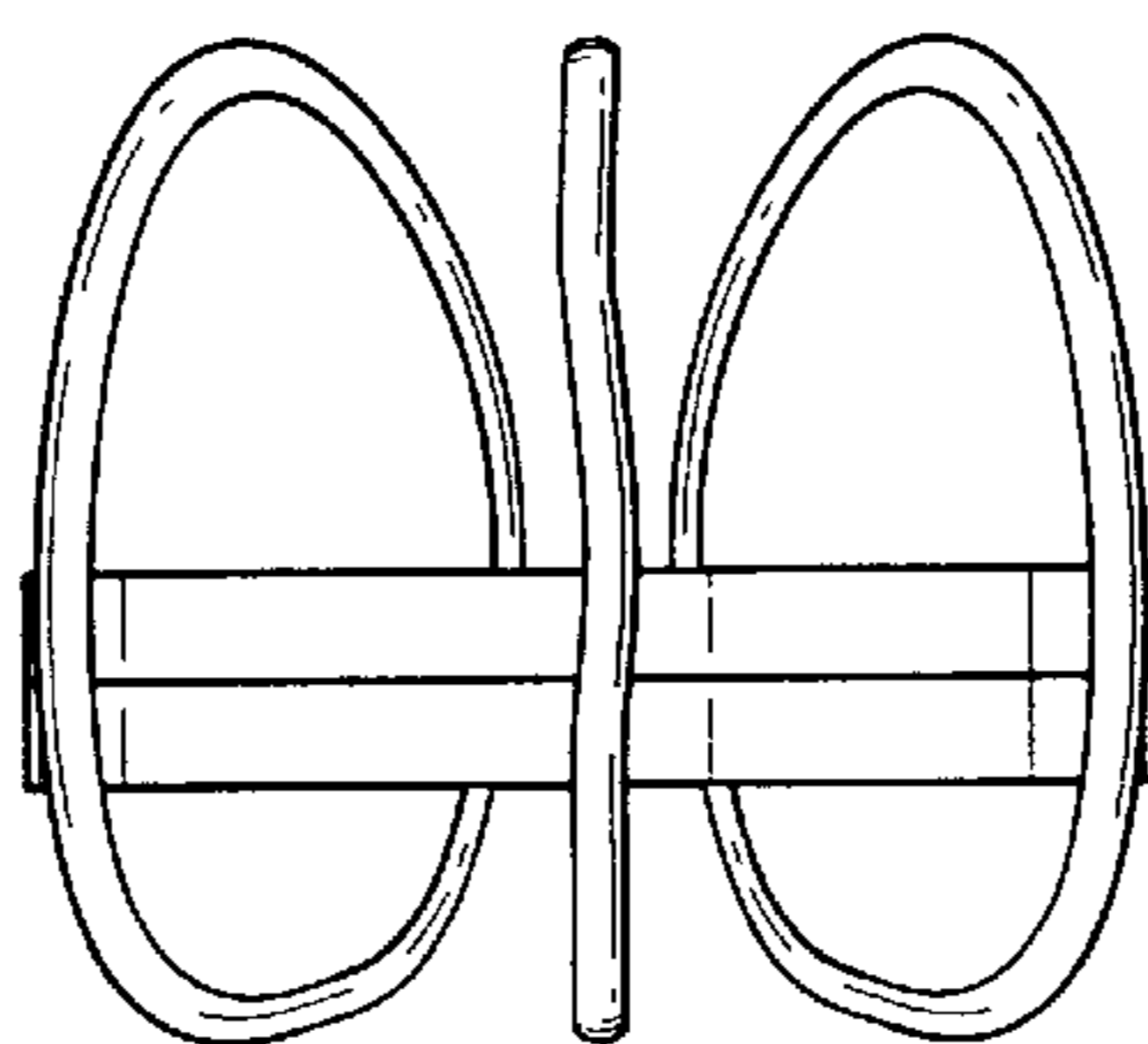


FIG. 5