



US00D431617S

United States Patent [19]
Harley

[11] **Patent Number: Des. 431,617**

[45] **Date of Patent: ** Oct. 3, 2000**

[54] **BACK BEND BENCH**

[76] Inventor: **Peter John Harley**, 2 Liverpool Street,
North Fitzroy Vic 3068, Australia

[**] Term: **14 Years**

[21] Appl. No.: **29/116,791**

[22] Filed: **Jan. 11, 2000**

[51] **LOC (7) Cl.** **21-02**

[52] **U.S. Cl.** **D21/691**

[58] **Field of Search** D21/686, 662,
D21/690, 691; 482/140, 142, 907, 143,
144

[56] **References Cited**

U.S. PATENT DOCUMENTS

| | | | |
|------------|---------|---------------|---------|
| D. 213,272 | 1/1969 | Wormser . | |
| D. 353,420 | 12/1994 | Koresec | D21/691 |
| D. 418,882 | 1/2000 | Okawa | D21/691 |
| 4,927,139 | 5/1990 | Taltre | 482/142 |
| 5,913,758 | 6/1999 | Nunez | 482/142 |
| 5,931,769 | 8/1999 | Nunez | 482/142 |

OTHER PUBLICATIONS

Backbending Bench, Yoga Journal, May/Jun. 1998 p. 53.
Folding Lotus Back Bench, Yoga Journal, Jan./Feb. 1999 p.
78.

Primary Examiner—Philip S. Hyder
Attorney, Agent, or Firm—Flanagan & Flanagan; John R.
Flanagan; John K. Flanagan

[57] **CLAIM**

The ornamental design for a back bend bench, as shown and described.

DESCRIPTION

FIG. 1 is a perspective view of a back bend bench in an erected condition showing my new design.

FIG. 2 is a left side elevational view of the back bend bench of FIG. 1.

FIG. 3 is a right side elevational view of the back bend bench of FIG. 1.

FIG. 4 is a bottom plan view of the back bend bench of FIG. 1.

FIG. 5 is a top plan view of the back bend bench of FIG. 1.

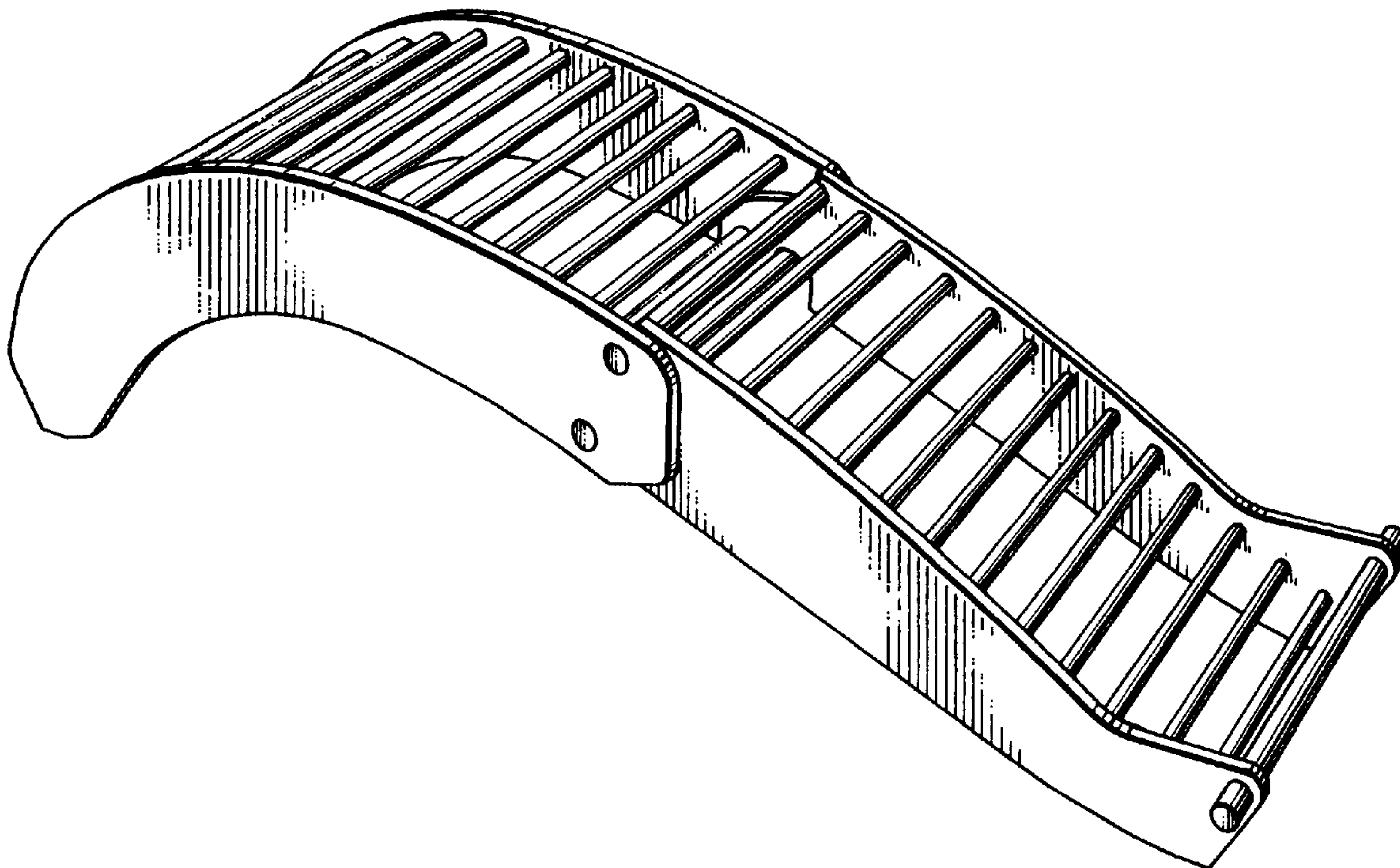
FIG. 6 is a rear elevational view of the back bend bench of FIG. 1.

FIG. 7 is a front elevational view of the back bend bench of FIG. 1.

FIG. 8 is a perspective view of the back bend bench in a collapsed condition; and,

FIG. 9 is a left side elevational view of the back bend bench of FIG. 8.

1 Claim, 3 Drawing Sheets



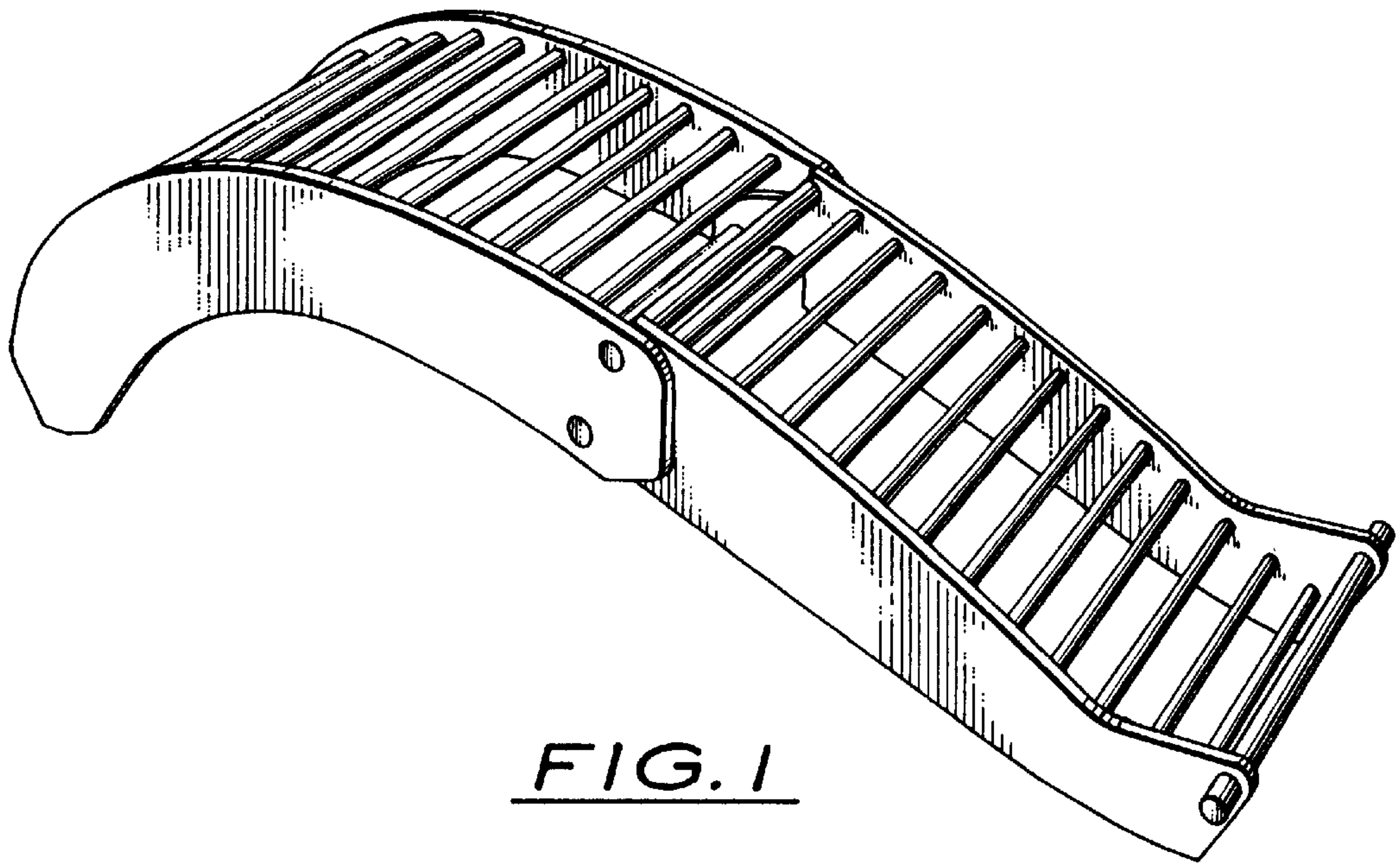


FIG. 1

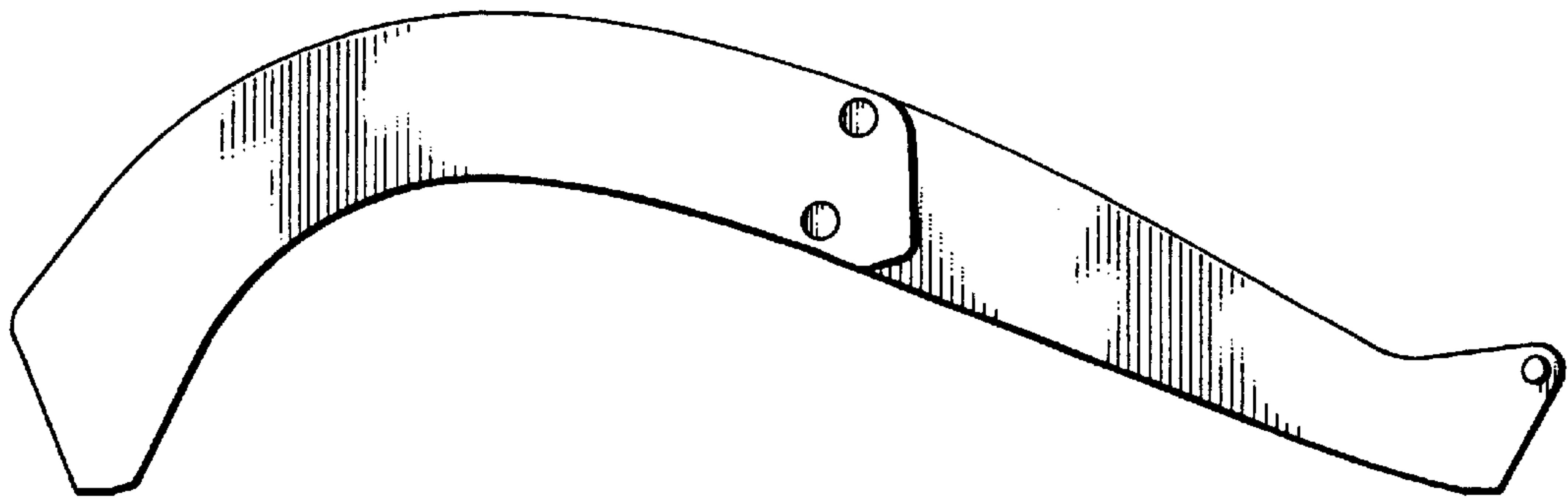


FIG. 2

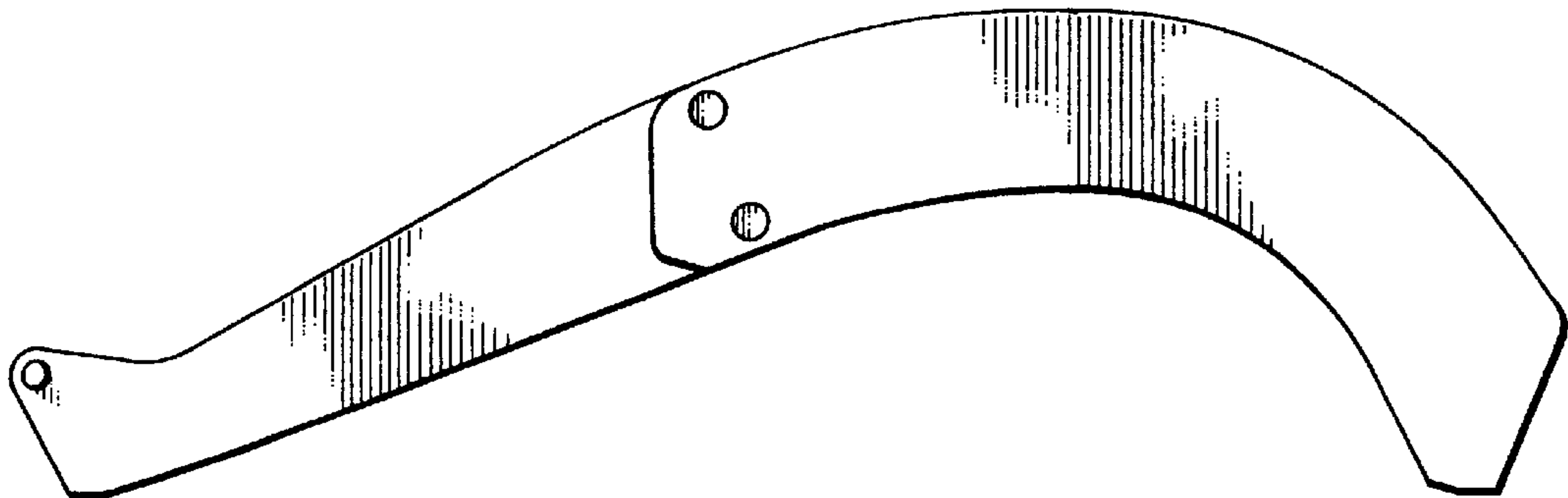


FIG. 3

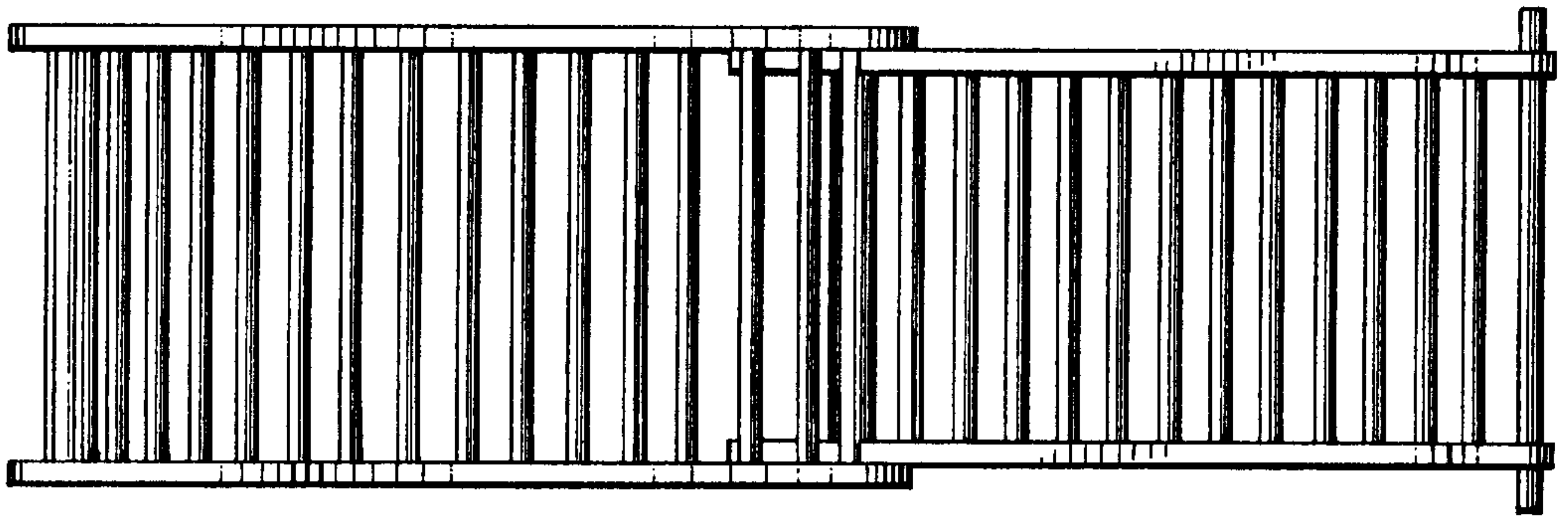


FIG. 4

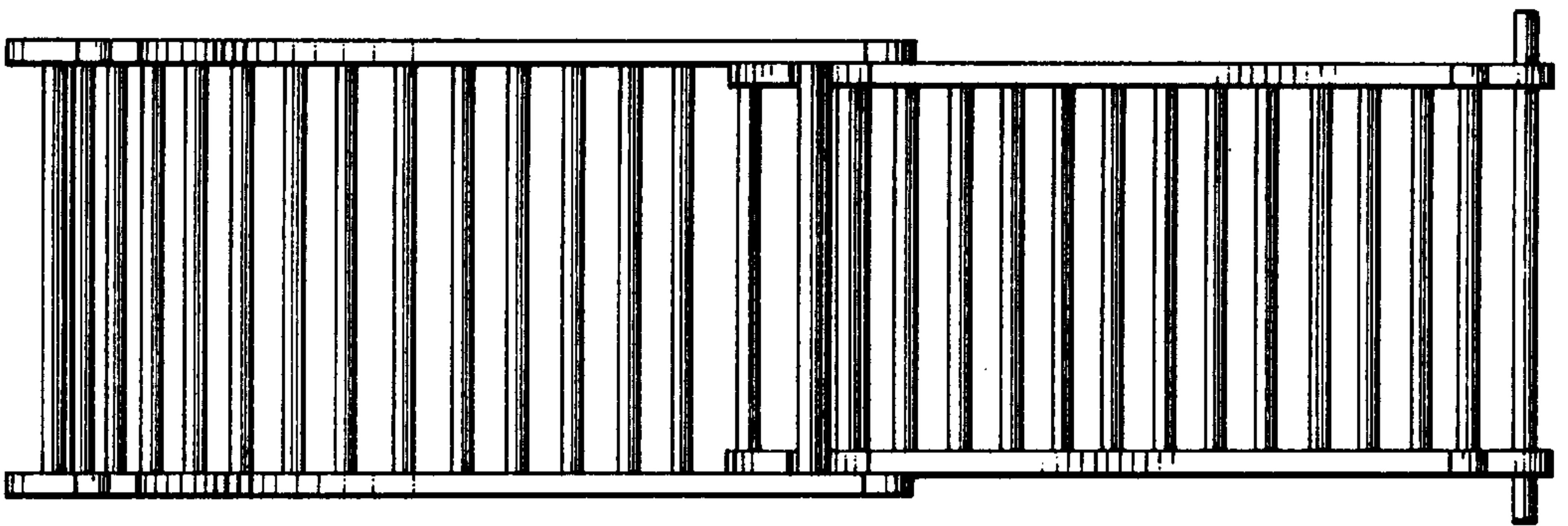


FIG. 5

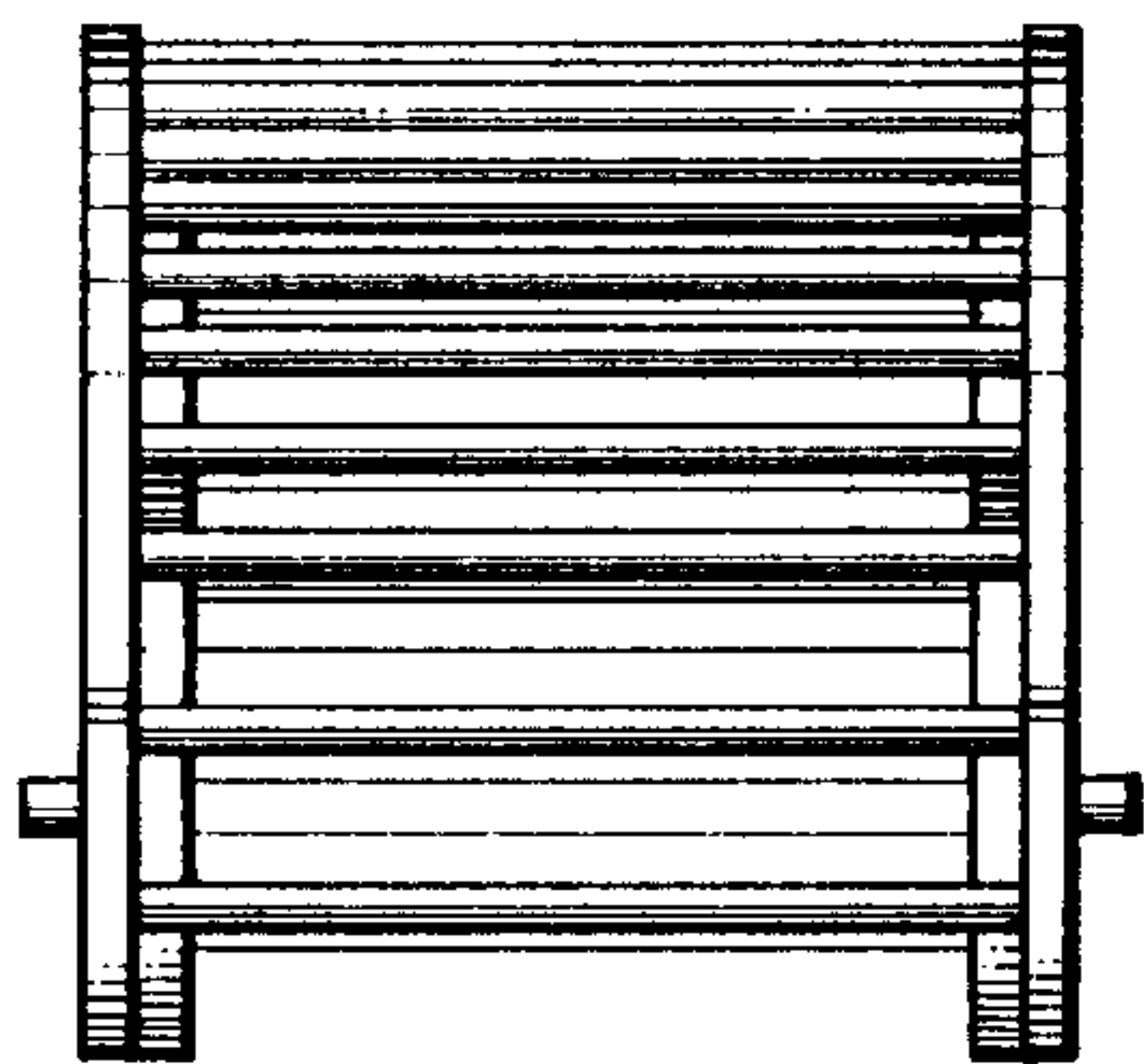


FIG. 6

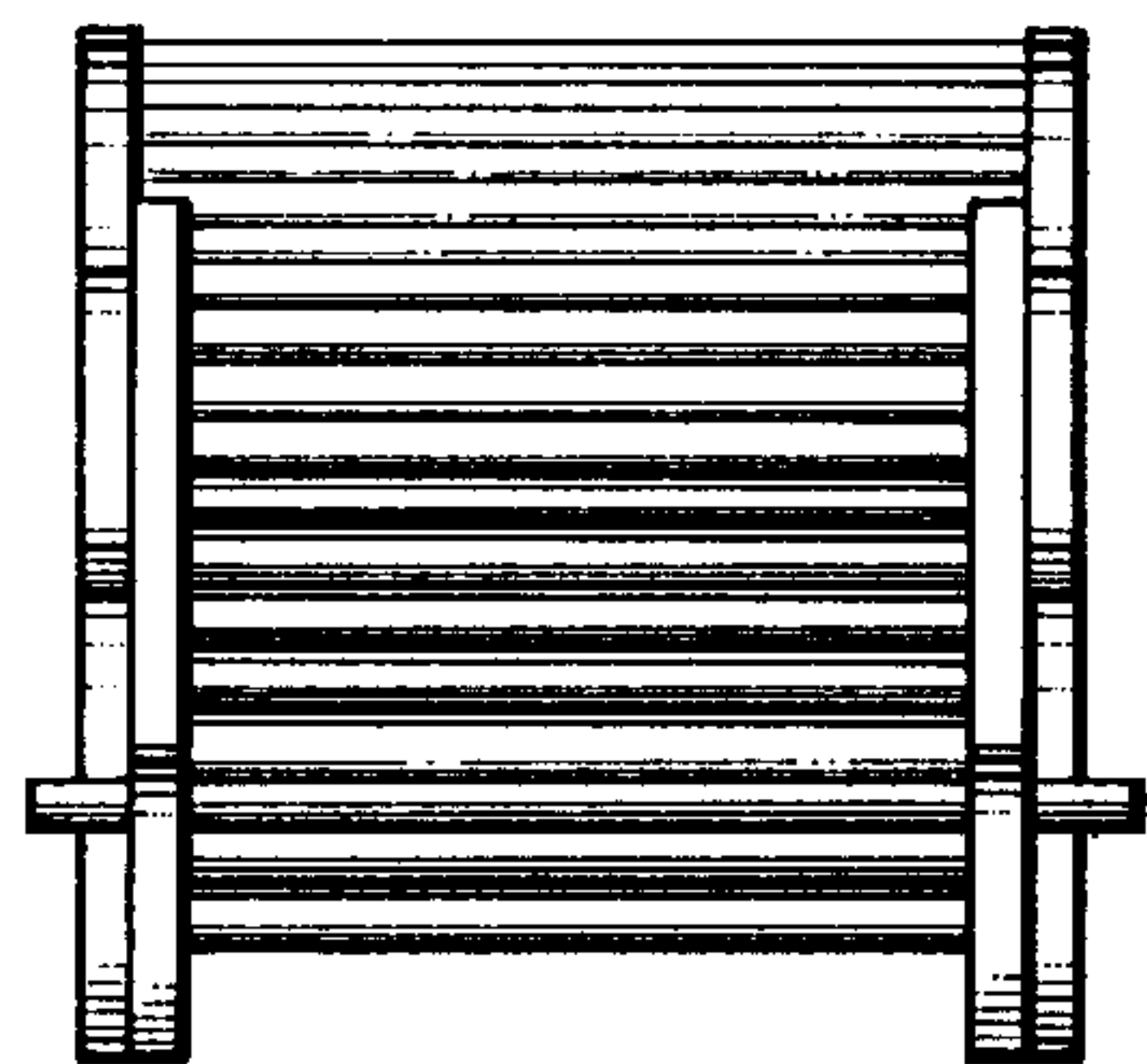


FIG. 7

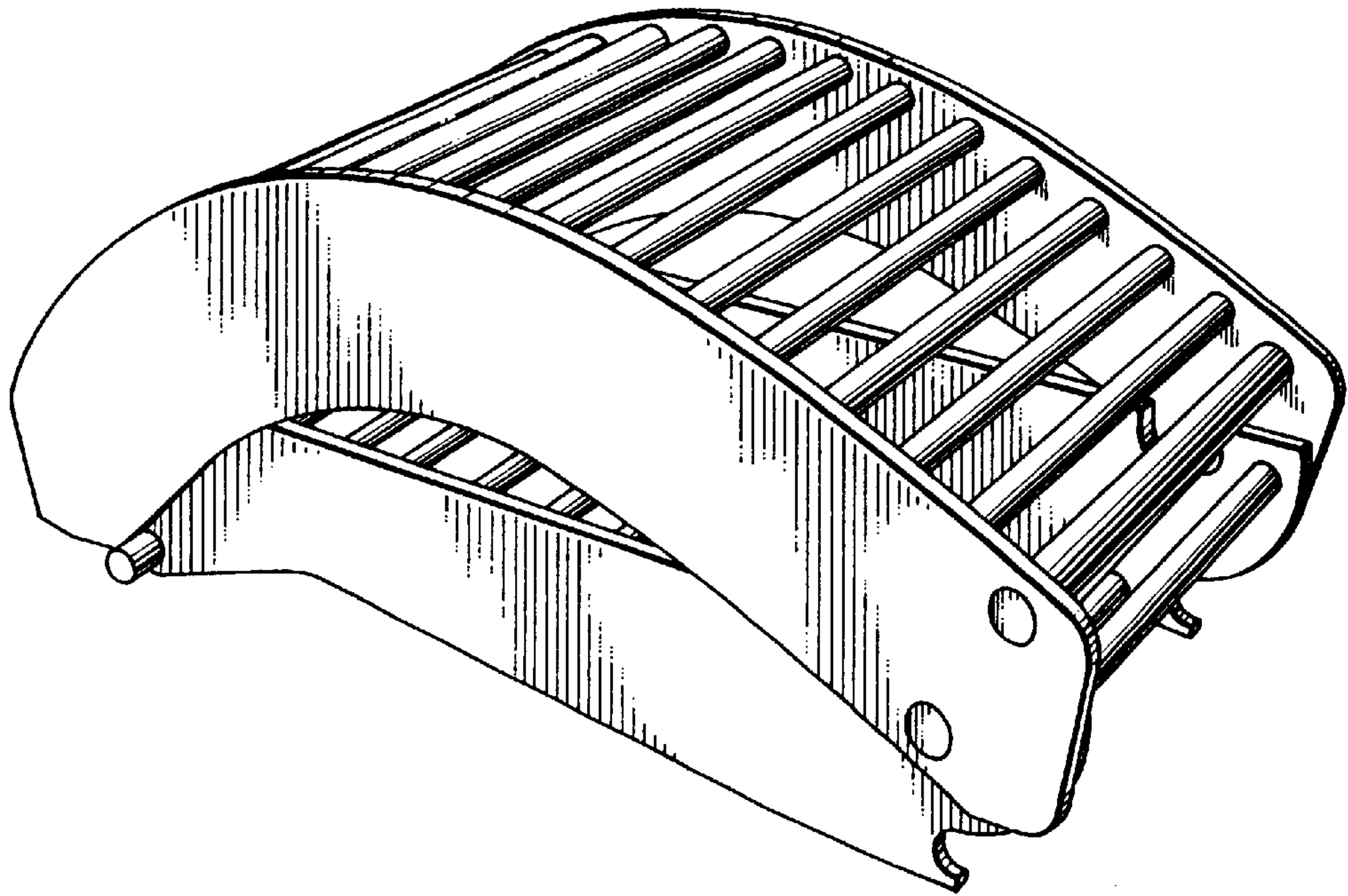


FIG. 8

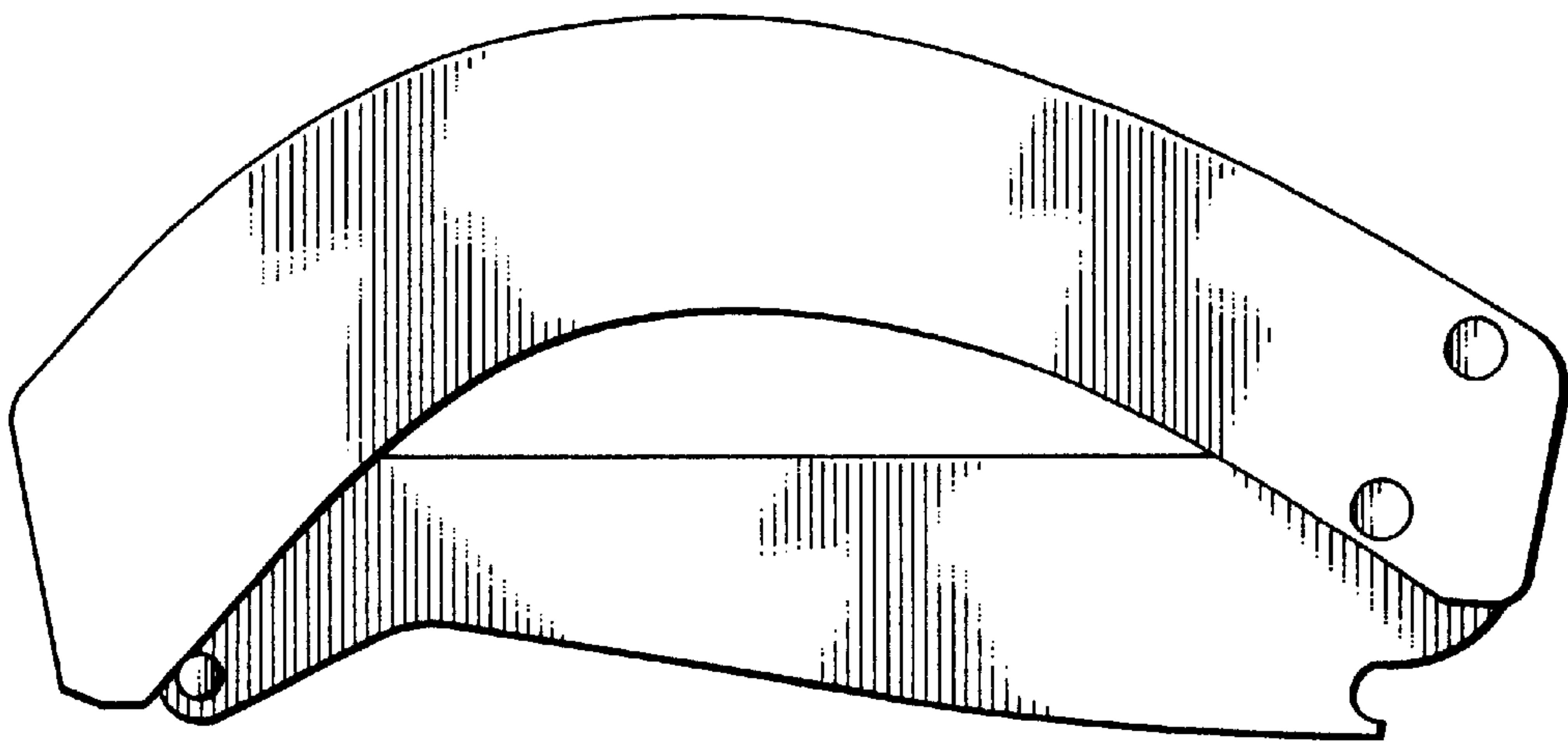


FIG. 9