



US00D431615S

United States Patent [19]

Webber et al.

[11] Patent Number: **Des. 431,615**

[45] Date of Patent: **** Oct. 3, 2000**

[54] LEG PRESS EXERCISE MACHINE

[75] Inventors: **Randall T. Webber**, San Diego;
George M. Zink, Escondido, both of Calif.

[73] Assignee: **Hoist Fitness Systems**, San Diego, Calif.

[**] Term: **14 Years**

[21] Appl. No.: **29/116,767**

[22] Filed: **Jan. 10, 2000**

[51] LOC (7) Cl. **21-02**

[52] U.S. Cl. **D21/675; D21/676**

[58] Field of Search **D21/662, 673, 674, 675, 676; 482/92, 93, 94, 96, 97, 133, 135, 134, 100**

[56] References Cited

U.S. PATENT DOCUMENTS

3,820,782	6/1974	Salkeld .	
4,511,137	4/1985	Jones	482/100
5,106,081	4/1992	Webb	482/137
5,366,432	11/1994	Habing et al.	482/138
5,409,440	4/1995	Yang	482/138
5,616,107	4/1997	Simonson	482/97
5,976,062	11/1999	Toups	482/99

OTHER PUBLICATIONS

- Leg Press, Hoist Fitness Brochure, 1989.
- F-005—Prensa Horizontal de Placas, Gervasport Brochure, late 1990's.
- Leg Press Machine, Apex brochure, late 1990's.
- C-225 Seated Leg Press, Atlantis brochure, late 1990's.
- Leg Press, Lido Brochure, 1990.
- Seated Leg Press, Reebok Brochure, 1998.
- ST200 Seated Leg Press, Teca Strength Systems Brochure, late 1990's.
- B203 Seated Leg Press, Magnum brochure, late 1990's.

Primary Examiner—Philip S. Hyder
Attorney, Agent, or Firm—Brown, Martin, Haller & McClain, LLP

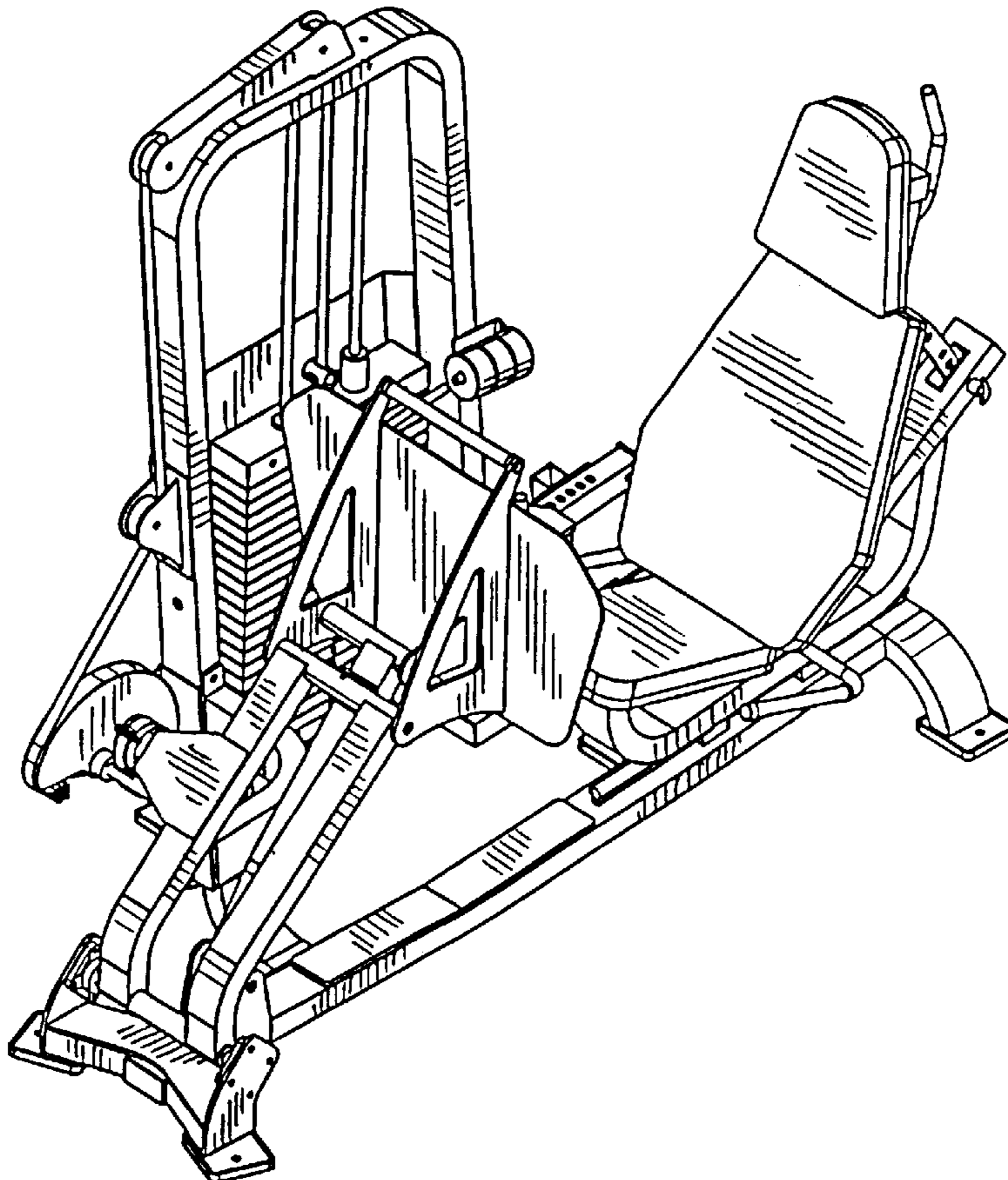
[57] CLAIM

The ornamental design for a leg press exercise machine, as shown.

DESCRIPTION

FIG. 1 is a front perspective view of a leg press exercise machine showing our new design; FIG. 2 is a rear perspective view thereof; FIG. 3 is a right side elevational view thereof; FIG. 4 is a top plan view thereof; FIG. 5 is a left side elevational view thereof; and, FIG. 6 is a rear end view.

1 Claim, 3 Drawing Sheets



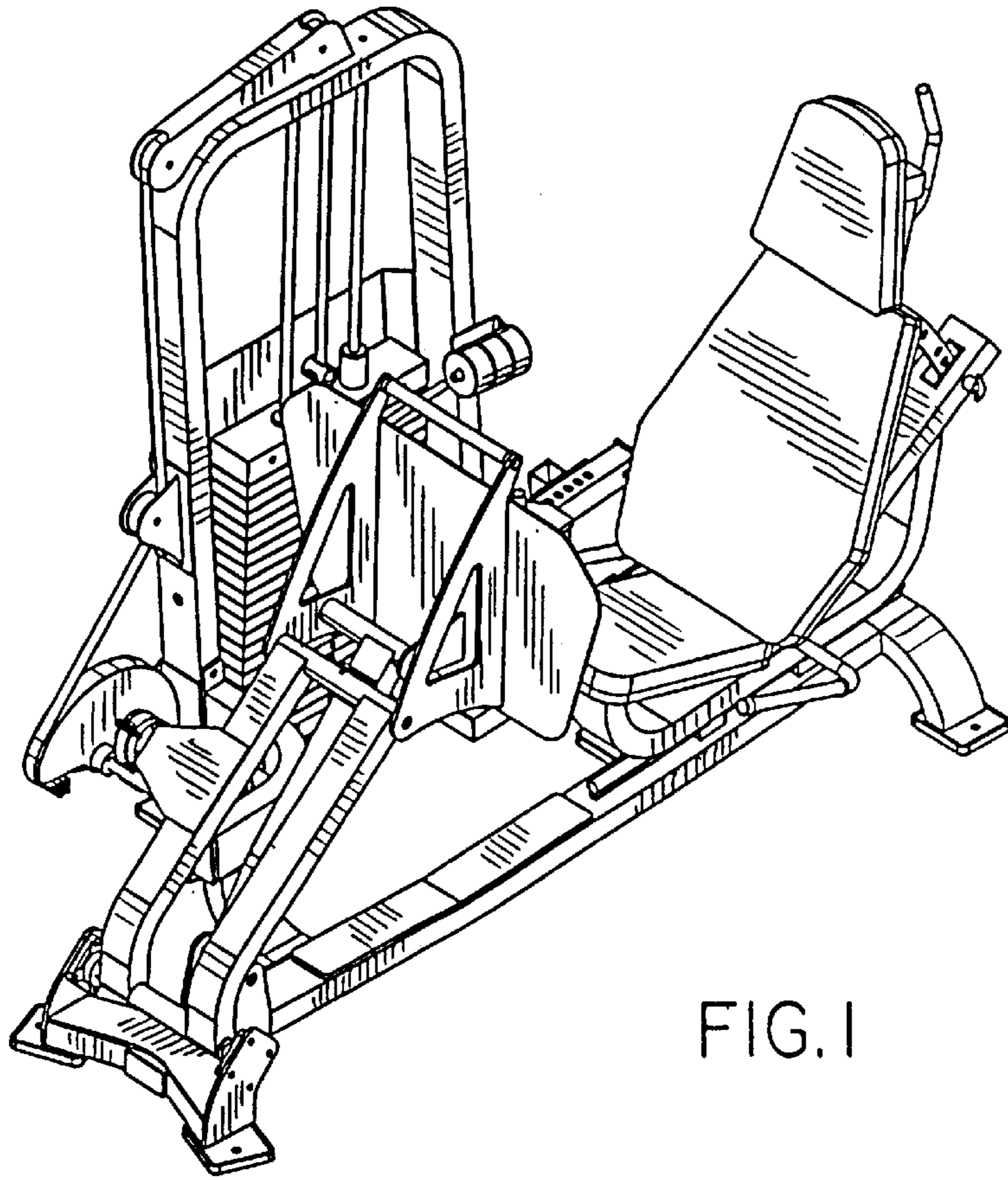


FIG. 1

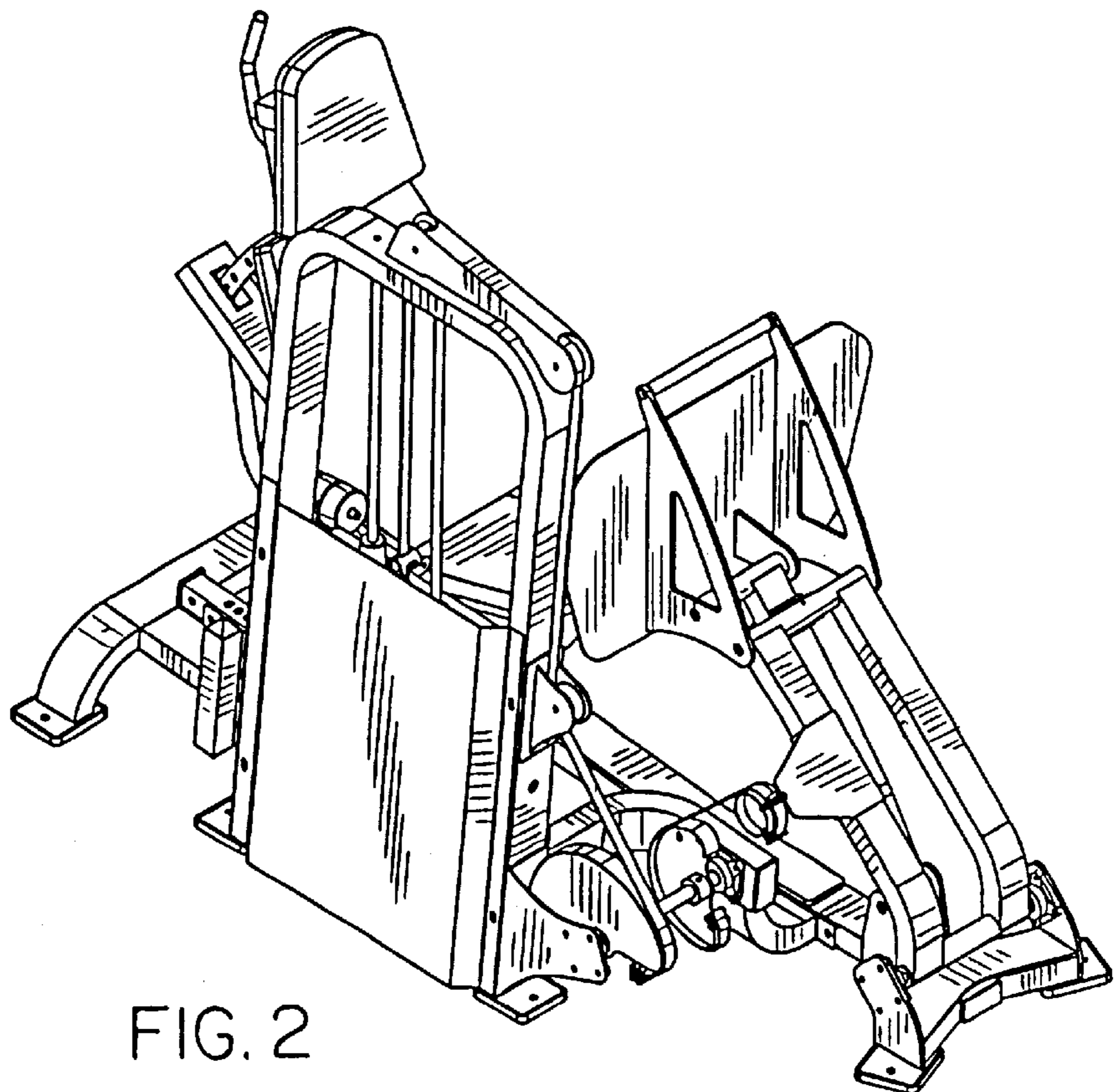


FIG. 2

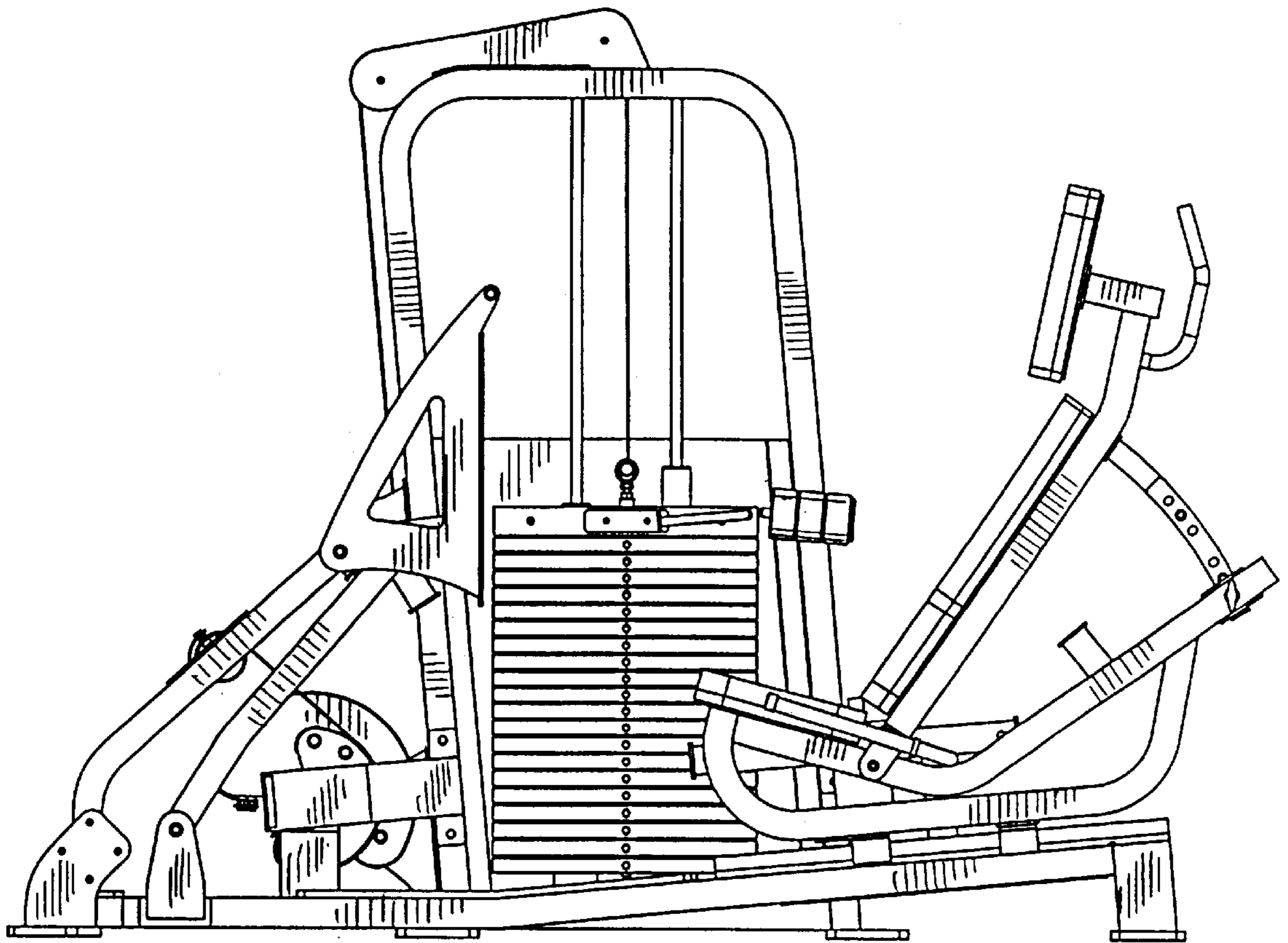


FIG. 3

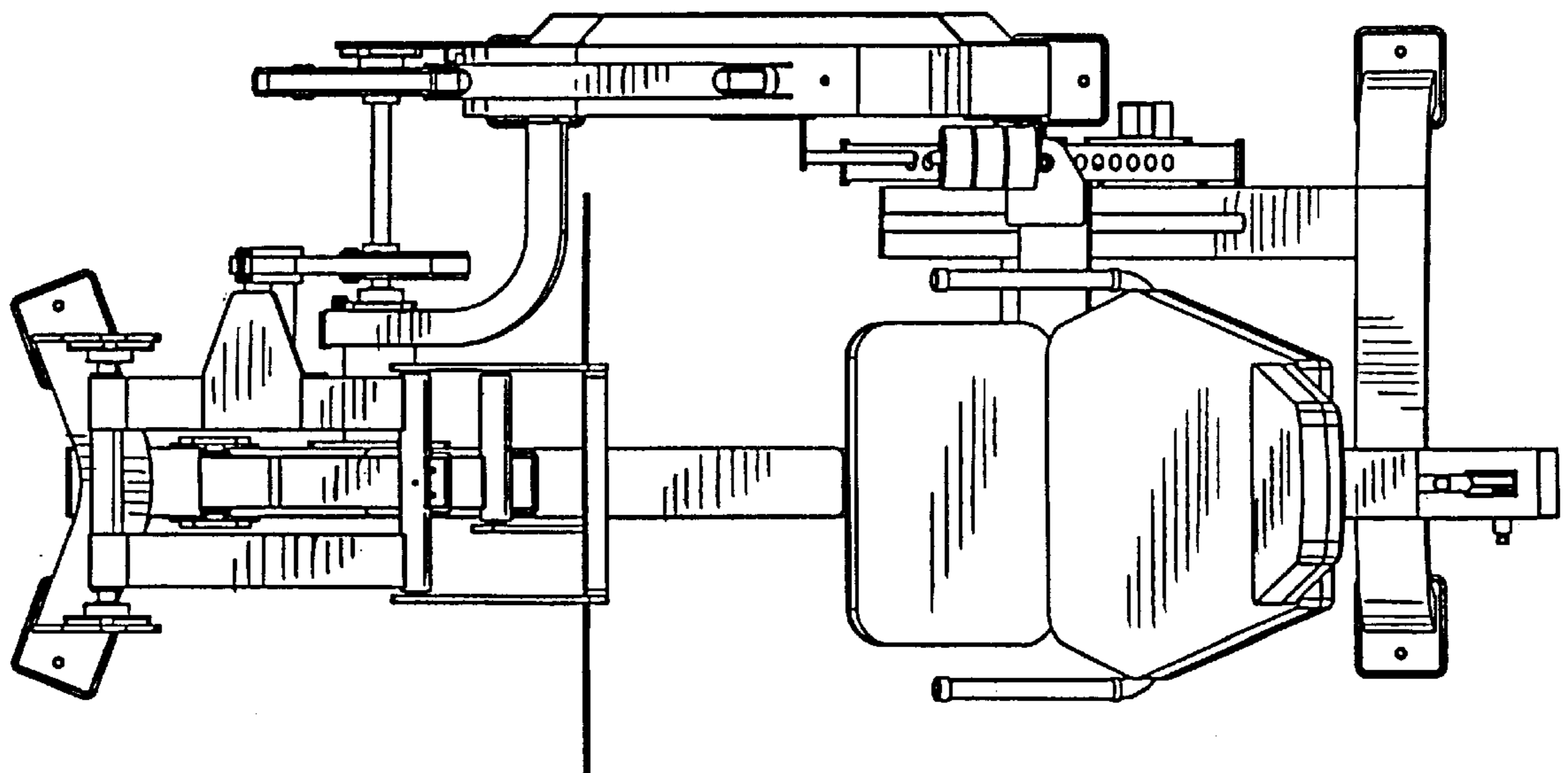


FIG. 4

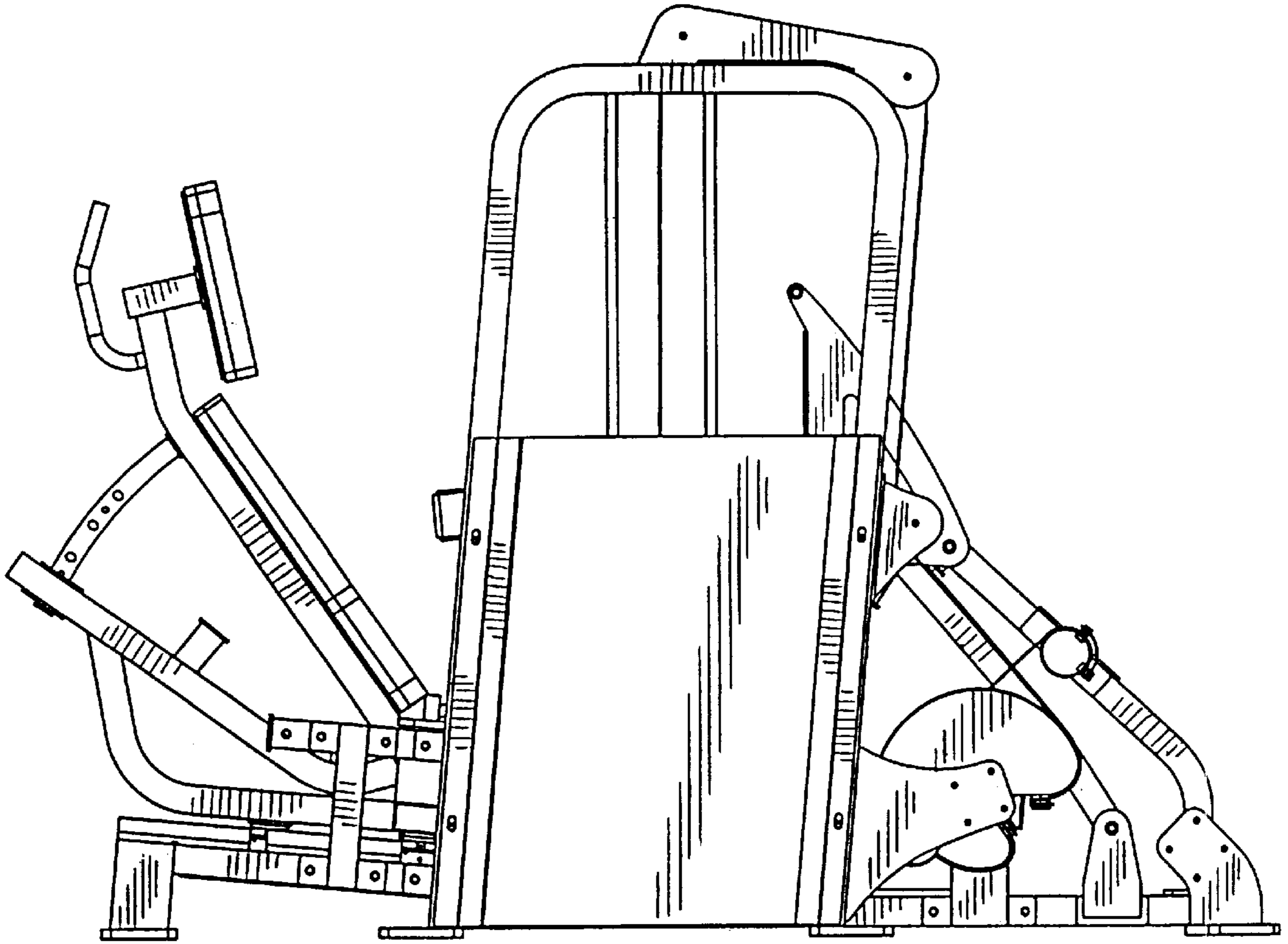


FIG. 5

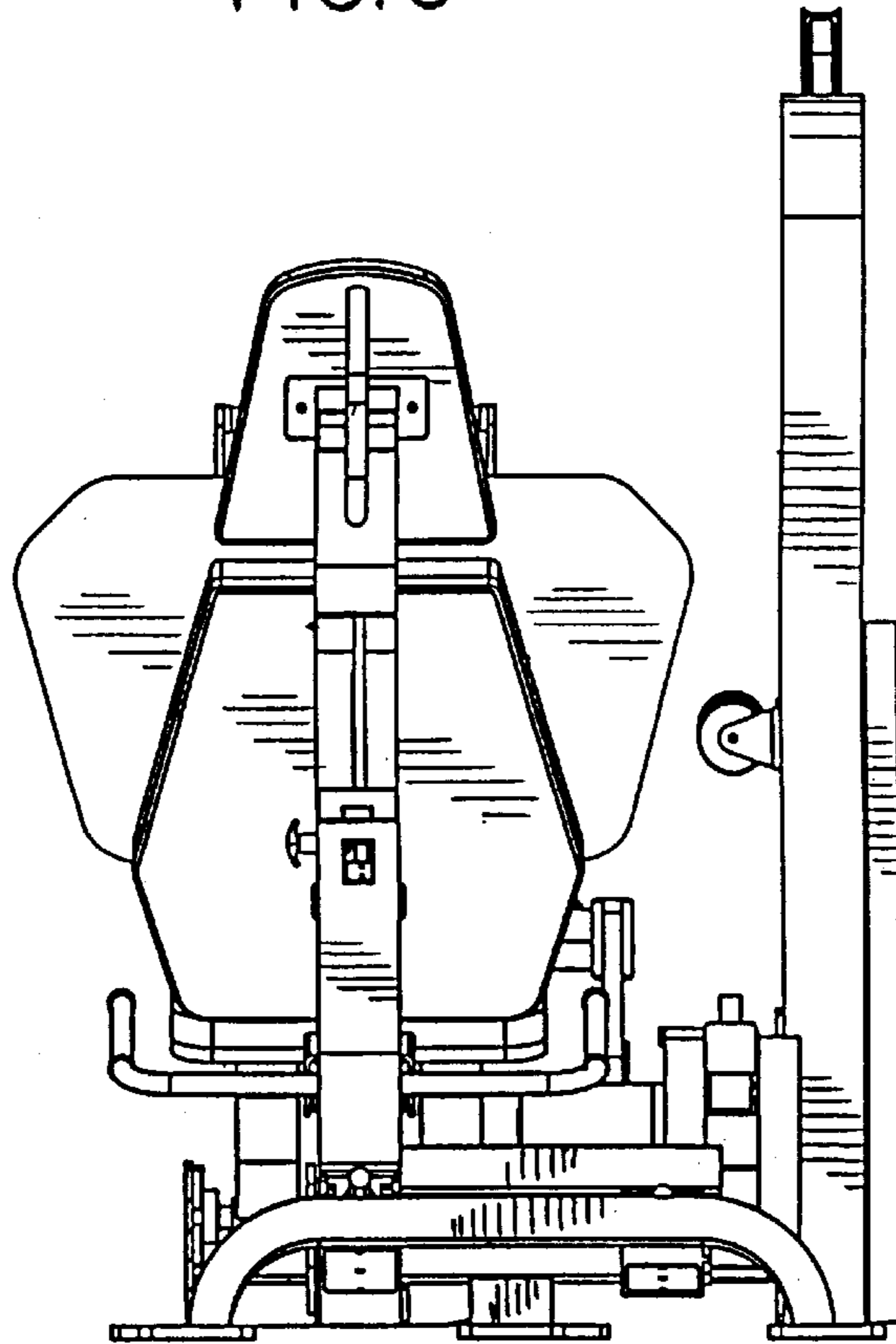


FIG. 6