



US00D431610S

# United States Patent [19] Comacho

[11] **Patent Number: Des. 431,610**  
[45] **Date of Patent: \*\* Oct. 3, 2000**

[54] **FLYING TOY**

[76] **Inventor: Thomas Comacho**, 170 Sisson Ave.,  
Apt. 204, Hartford, Conn. 06105

[\*\*] **Term: 14 Years**

[21] **Appl. No.: 29/109,463**

[22] **Filed: Aug. 16, 1999**

[51] **LOC (7) Cl. .... 21-01**

[52] **U.S. Cl. .... D21/447; D21/442; D21/448;  
D21/451**

[58] **Field of Search ..... D21/436, 447,  
D21/448, 451, 441, 442; 446/230, 231;  
D12/319, 326, 341, 343**

[56] **References Cited**

### U.S. PATENT DOCUMENTS

D. 161,473 1/1951 Latina ..... D21/447

D. 203,283 12/1965 Woods ..... D21/447  
D. 279,696 7/1985 Begg ..... D21/451  
D. 345,396 3/1994 Delaney ..... D21/451

*Primary Examiner*—Dominic Simone  
*Attorney, Agent, or Firm*—Robert S. Smith

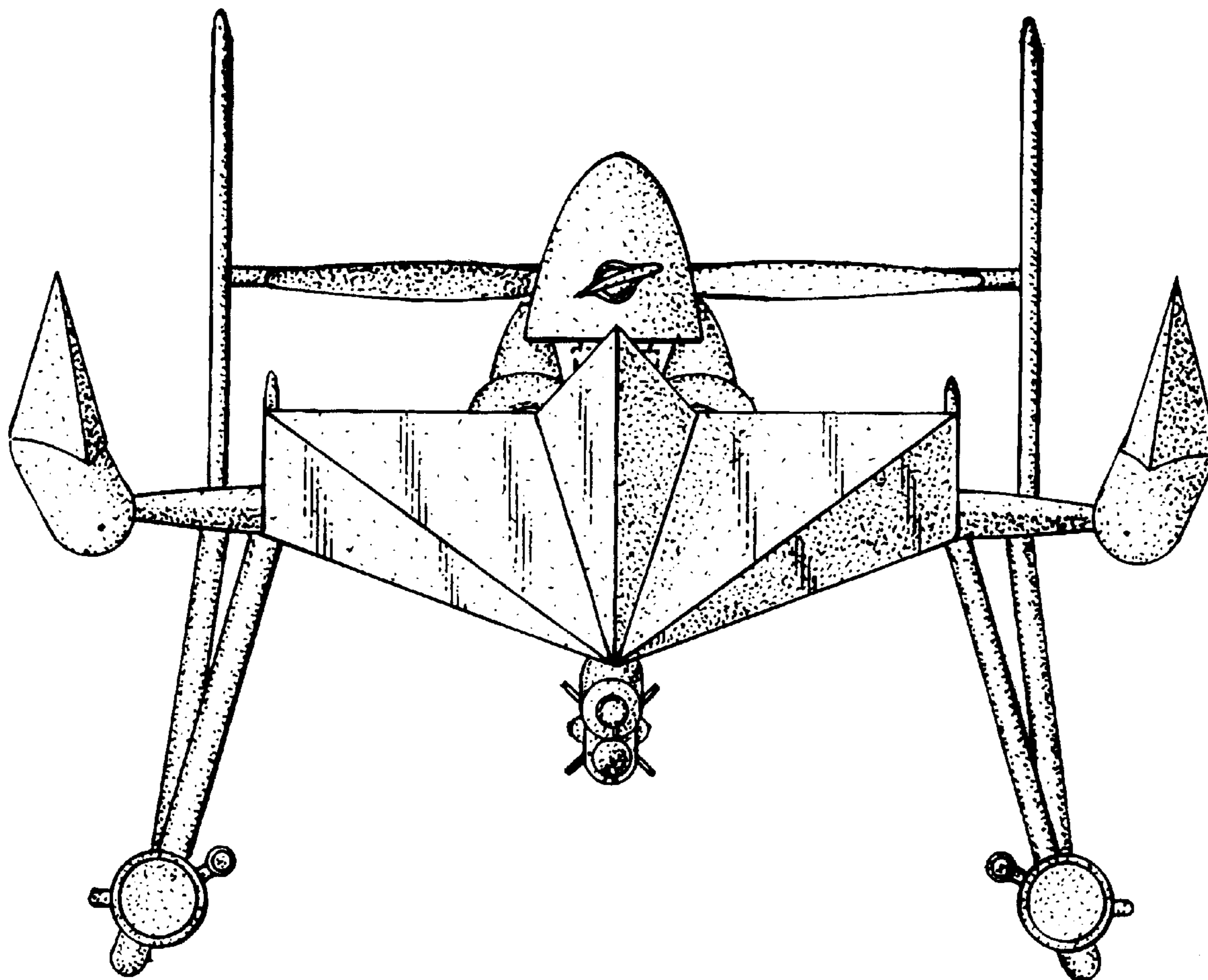
### [57] CLAIM

The ornamental design for flying toy, as shown and described.

### DESCRIPTION

FIG. 1 is a front elevational view of a flying toy showing my new design;  
FIG. 2 is a right side elevational view thereof, the left side being identical;  
FIG. 3 is a rear elevational view thereof;  
FIG. 4 is a top plan view thereof; and,  
FIG. 5 is a bottom plan view thereof.

**1 Claim, 5 Drawing Sheets**



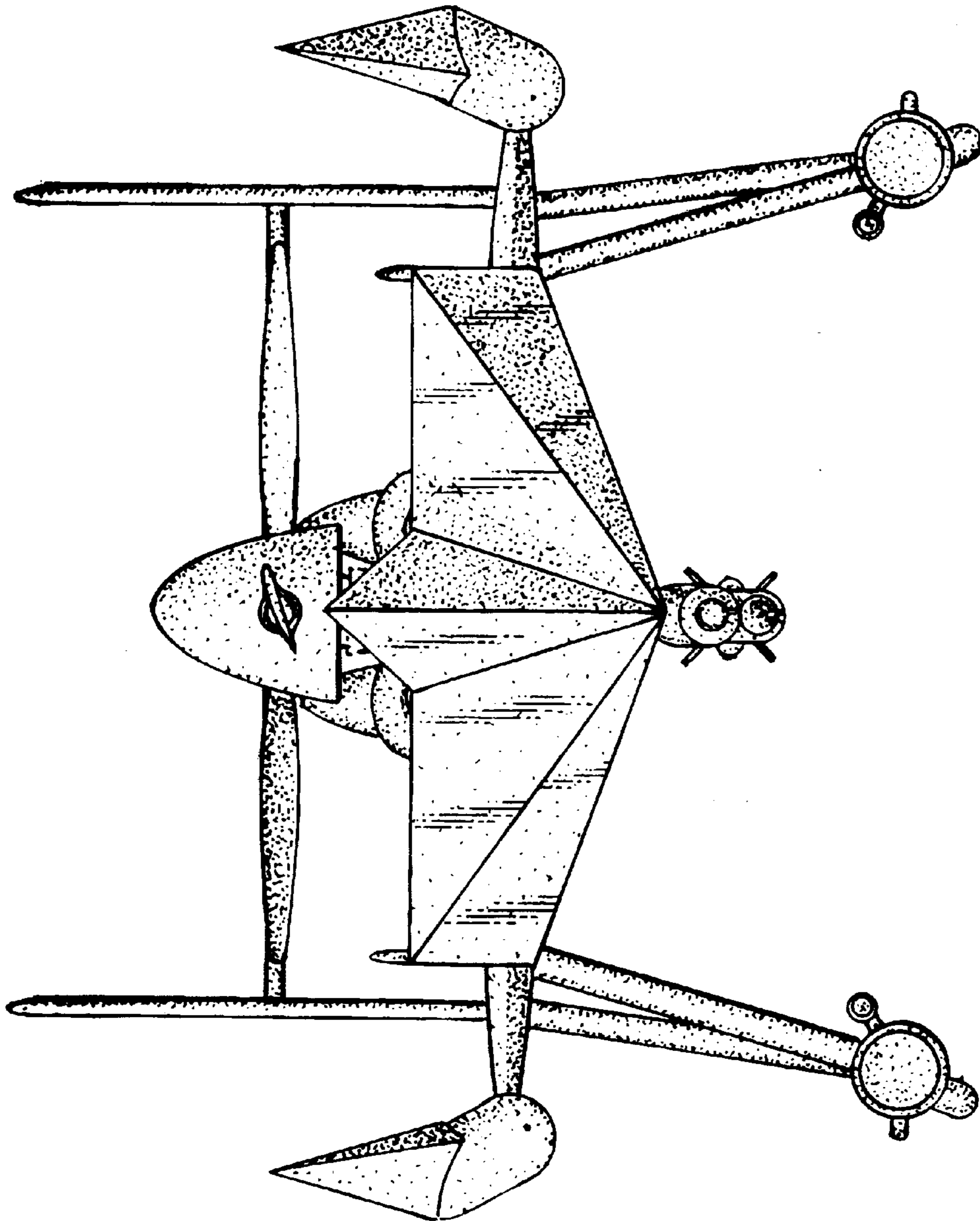


FIG. 1

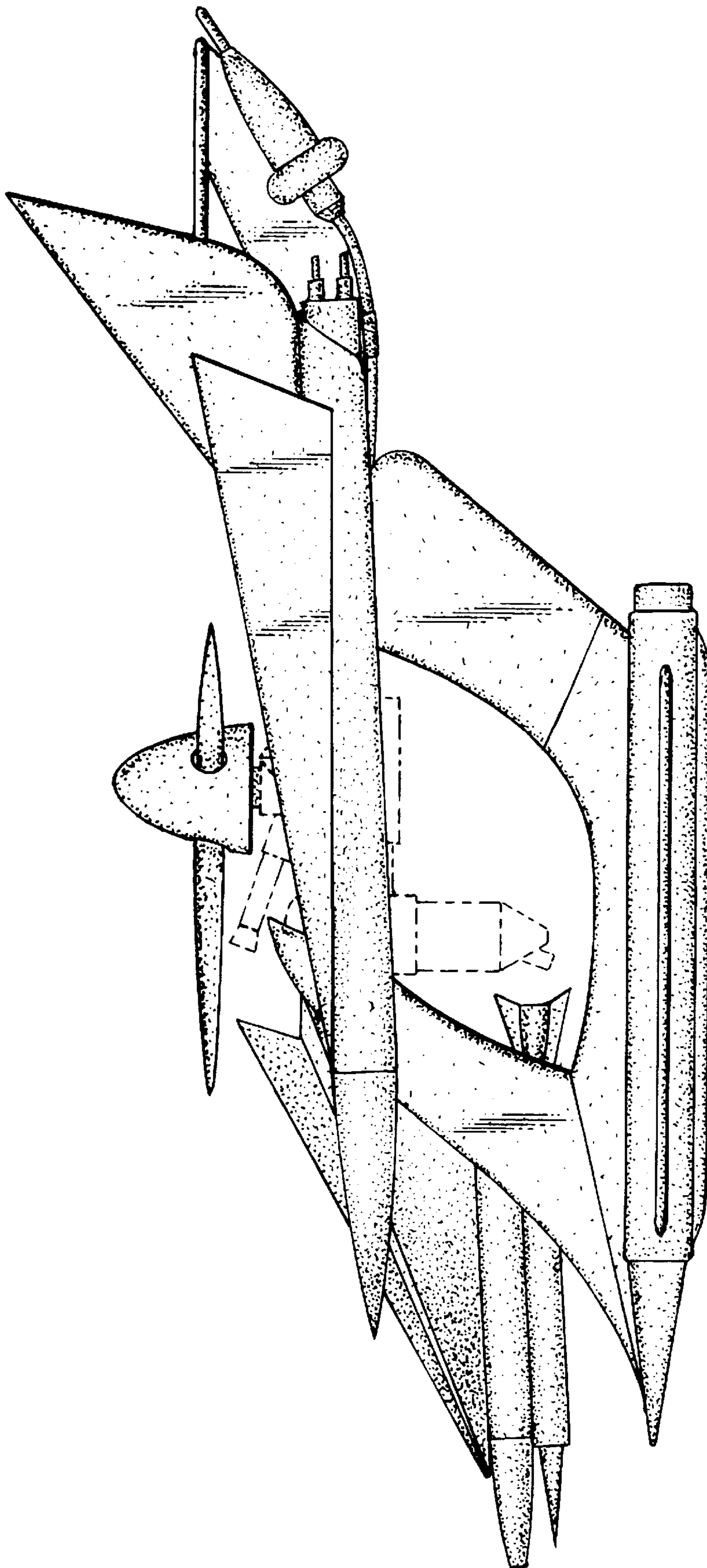


FIG. 2

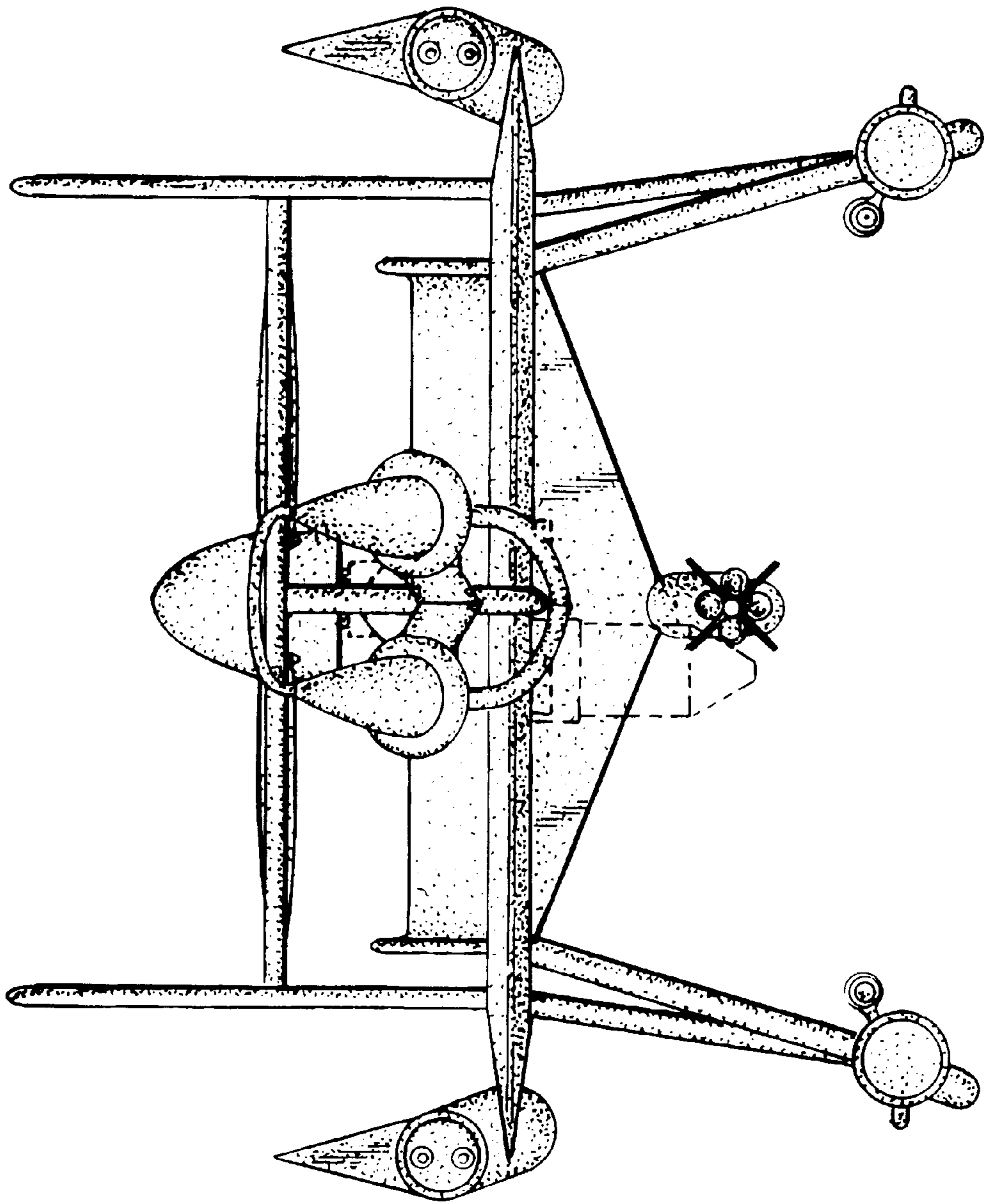


FIG. 3

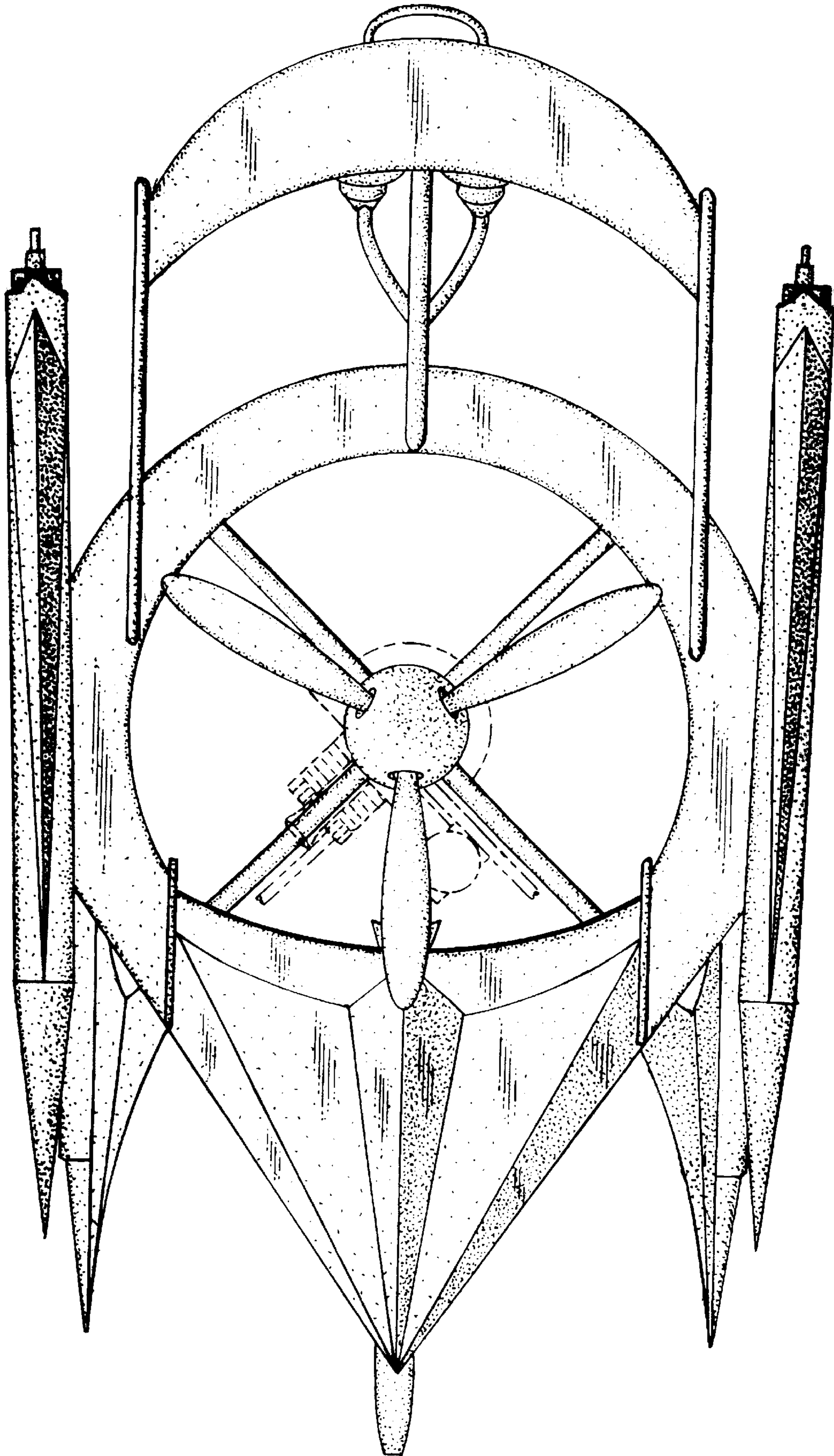


FIG. 4

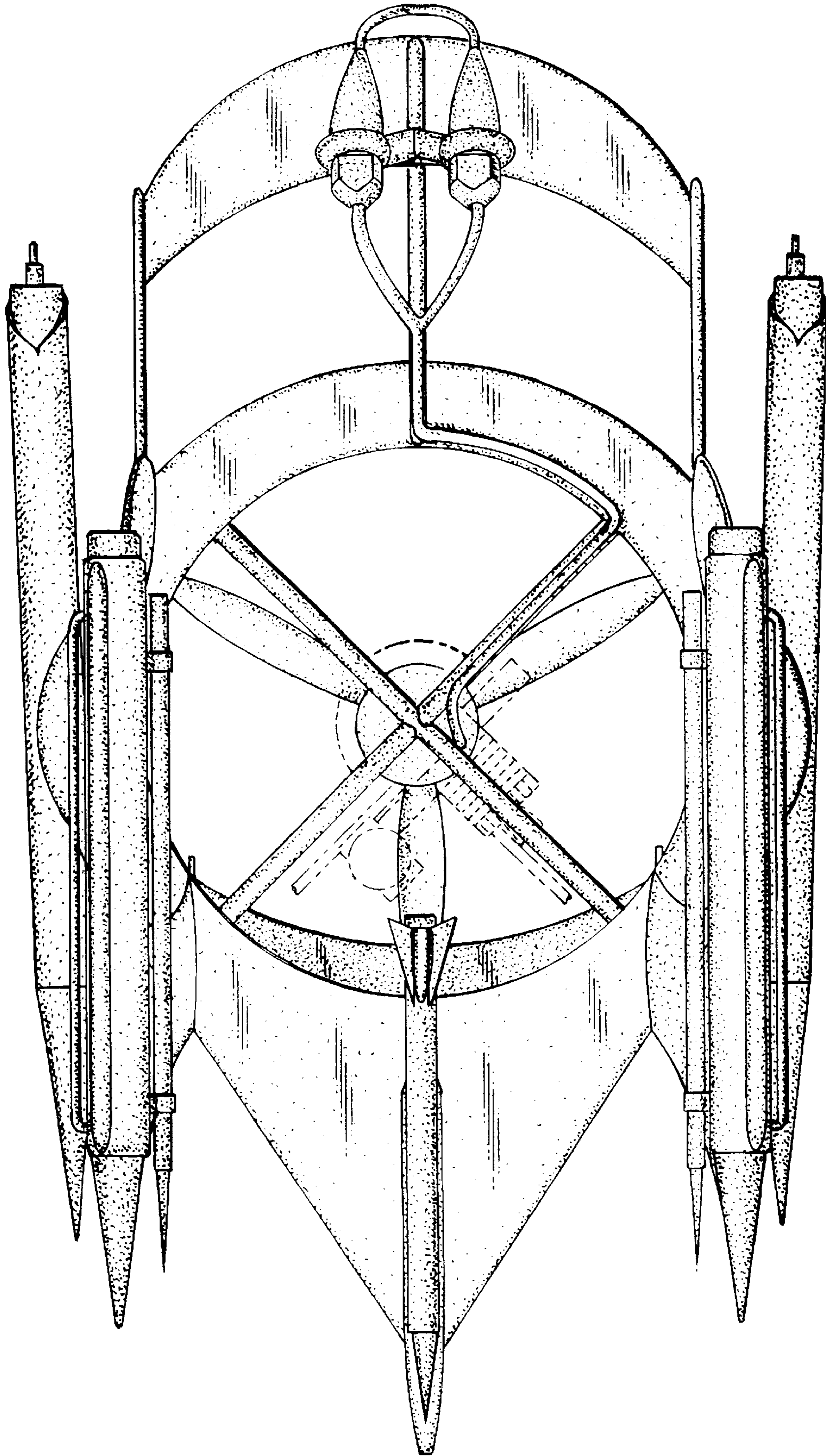


FIG. 5