



US00D431609S

United States Patent [19] Wei

[11] Patent Number: **Des. 431,609**

[45] Date of Patent: **** Oct. 3, 2000**

[54] **TOY HELICOPTER**

[75] Inventor: **Kam Wah Wei**, Hong Kong, The Hong Kong Special Administrative Region of the People's Republic of China

[73] Assignee: **Wah Hing Toys Development Co., Ltd.**, Hong Kong, The Hong Kong Special Administrative Region of the People's Republic of China

[**] Term: **14 Years**

[21] Appl. No.: **29/102,416**

[22] Filed: **Mar. 24, 1999**

[51] **LOC (7) Cl.** **21-01**

[52] **U.S. Cl.** **D21/442**

[58] **Field of Search** D21/442, 398;
D12/319, 326, 327; 446/36-44; 244/17.11-17.27

[56] **References Cited**

U.S. PATENT DOCUMENTS

D. 217,488 5/1970 Perhacs, Jr. D21/442

D. 258,671 3/1981 Sase D21/442
D. 281,708 12/1985 Mariol D21/442
D. 295,057 4/1988 Lau D21/442
D. 316,883 5/1991 Doles D21/442
D. 390,942 2/1998 Mei D21/442

Primary Examiner—Dominic Simone
Attorney, Agent, or Firm—Hall, Priddy & Myers

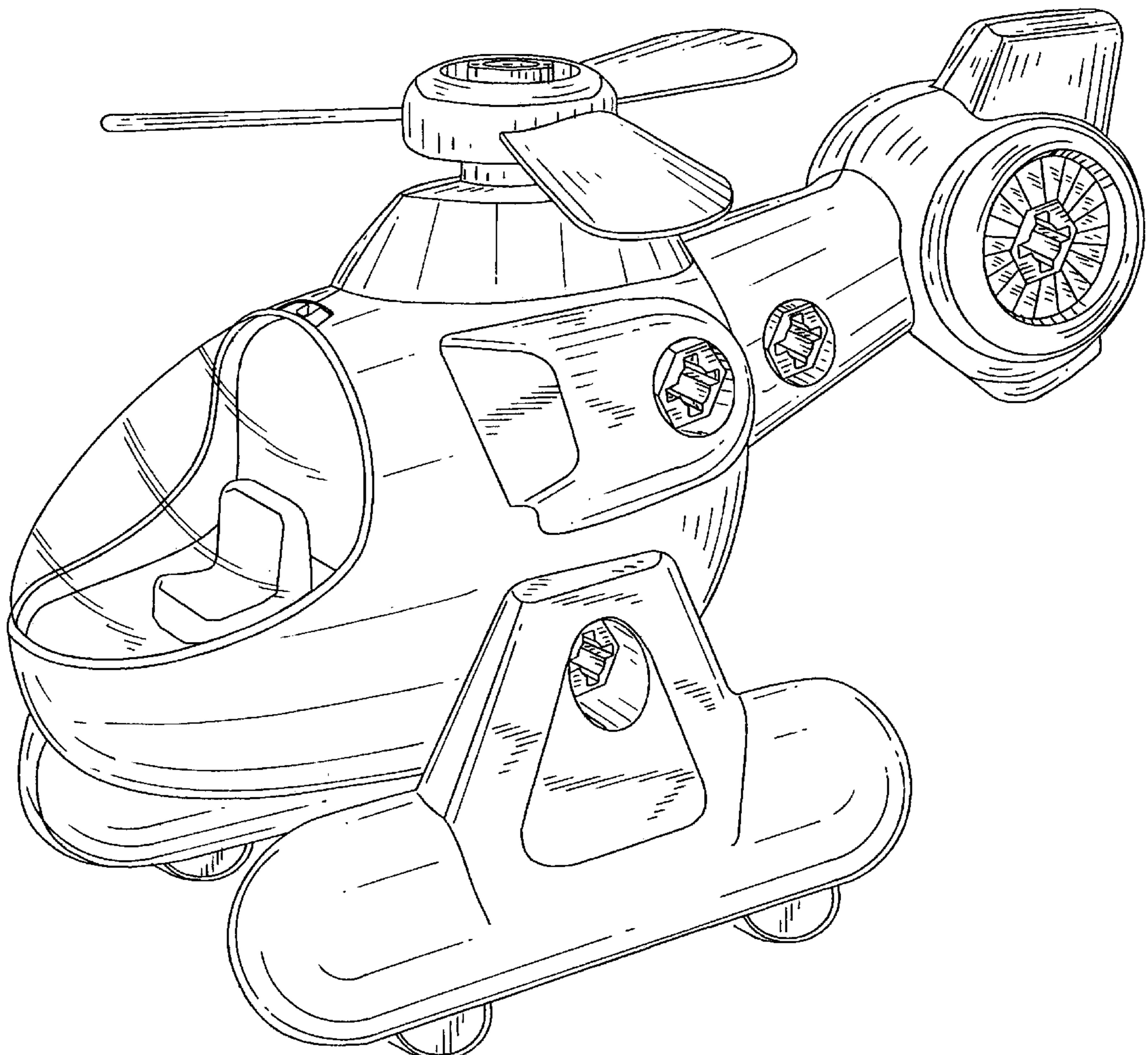
[57] **CLAIM**

The new and ornamental design for a toy helicopter, as shown.

DESCRIPTION

FIG. 1 is a perspective view of the article;
FIG. 2 is a front view of the article;
FIG. 3 is a rear view of the article;
FIG. 4 is a top view of the article;
FIG. 5 is a bottom view of the article;
FIG. 6 is a right side view of the article; and,
FIG. 7 is a left side view of the article.

1 Claim, 7 Drawing Sheets



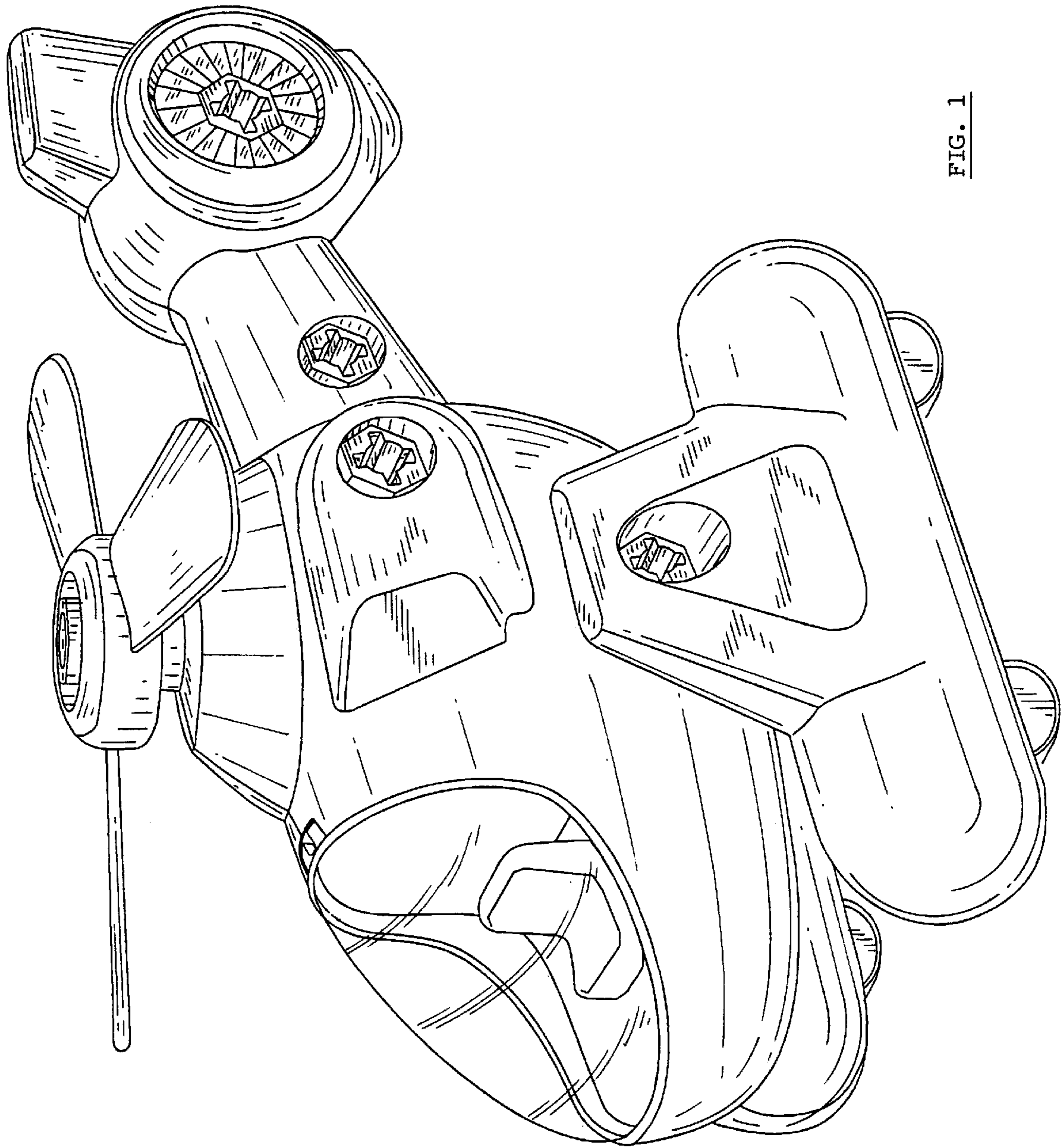


FIG. 1

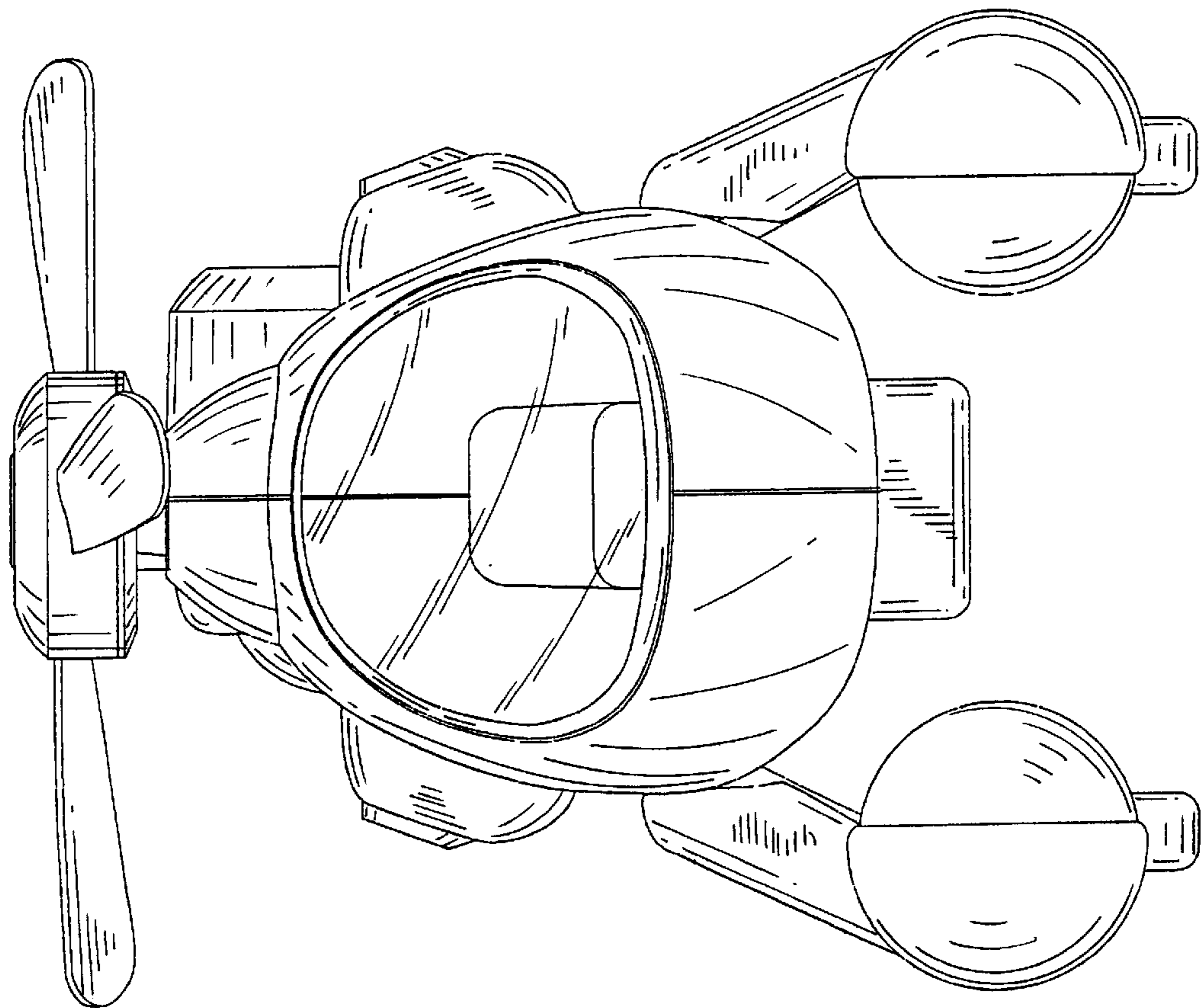
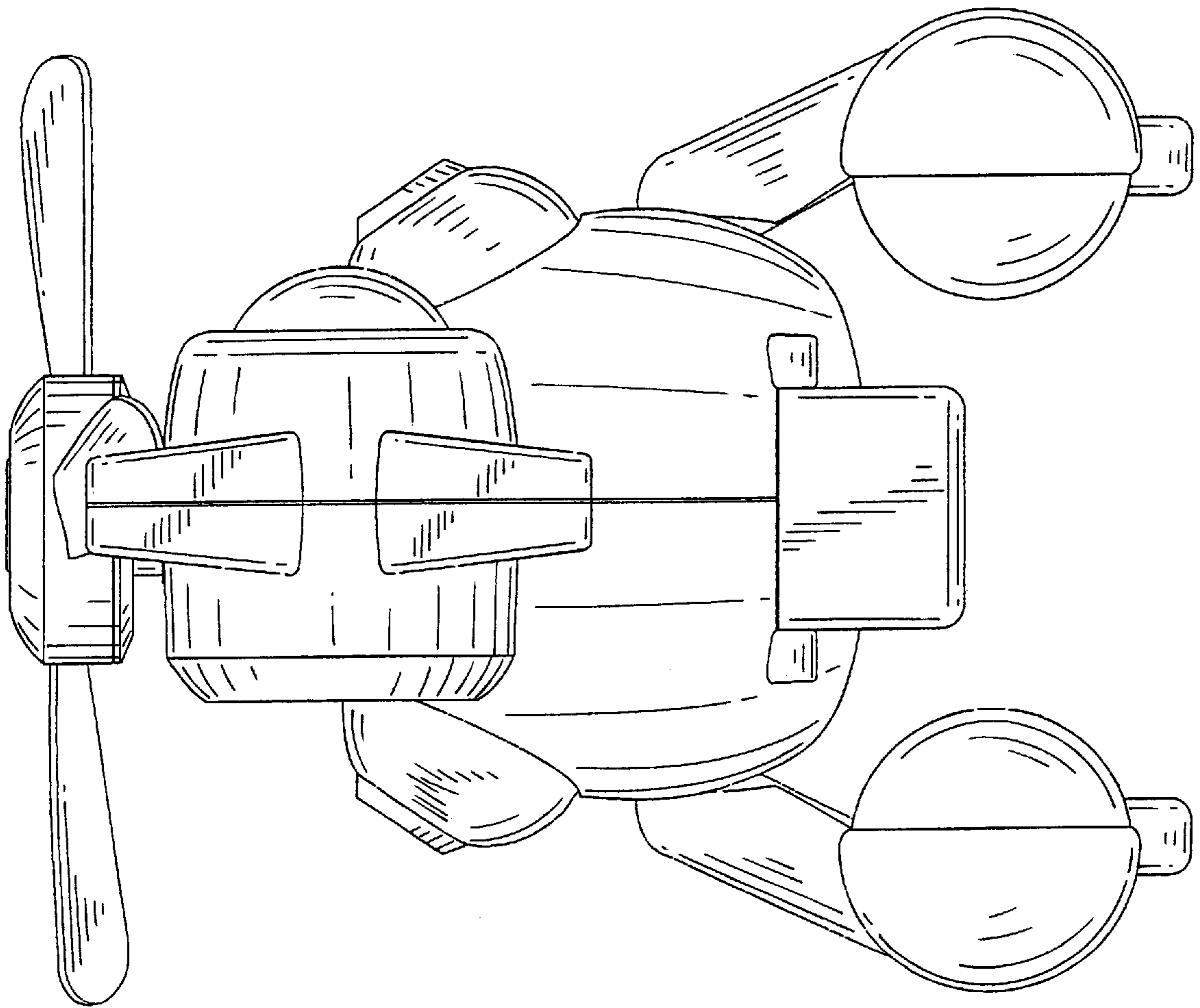


FIG. 2

FIG. 3



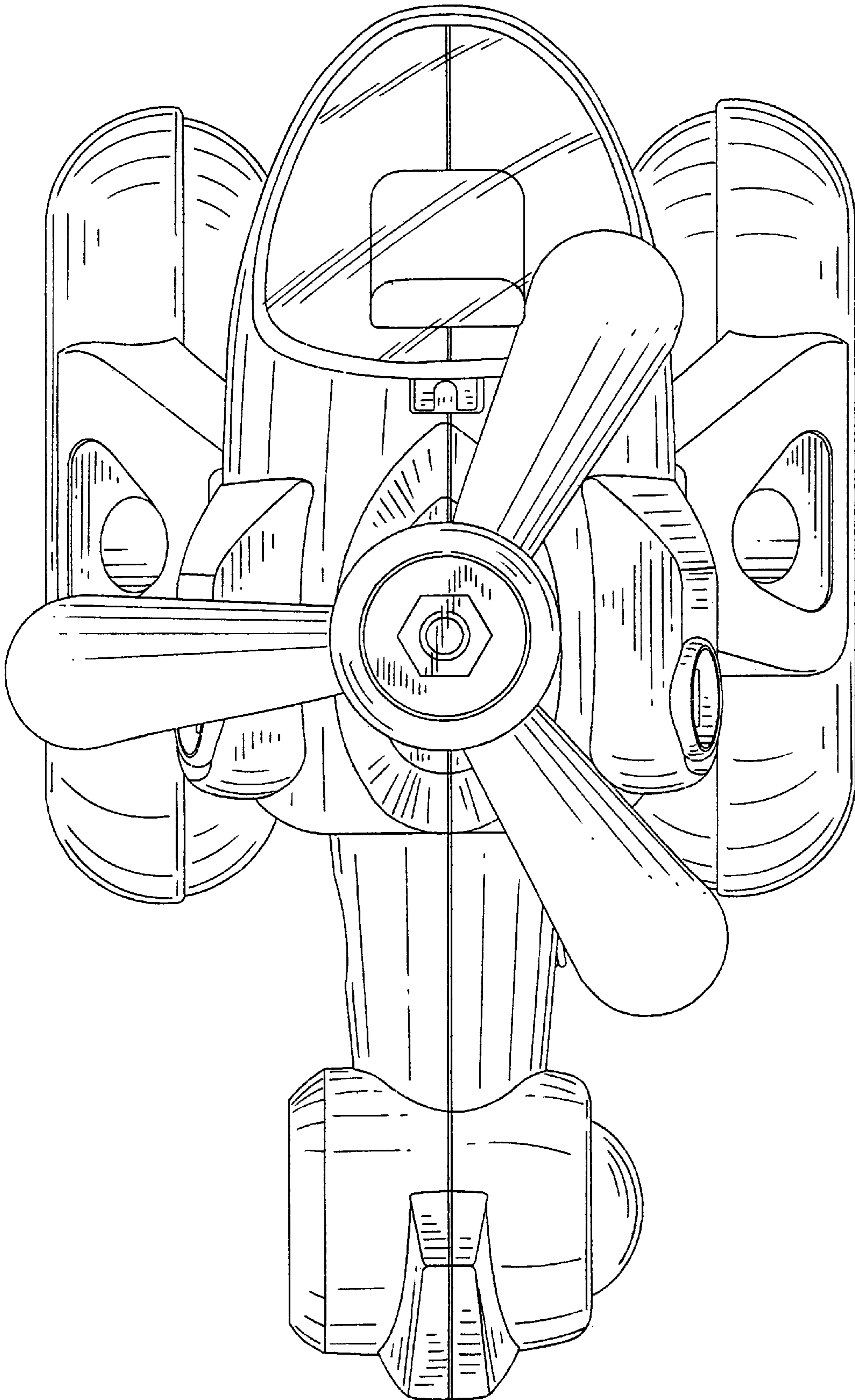


FIG. 4

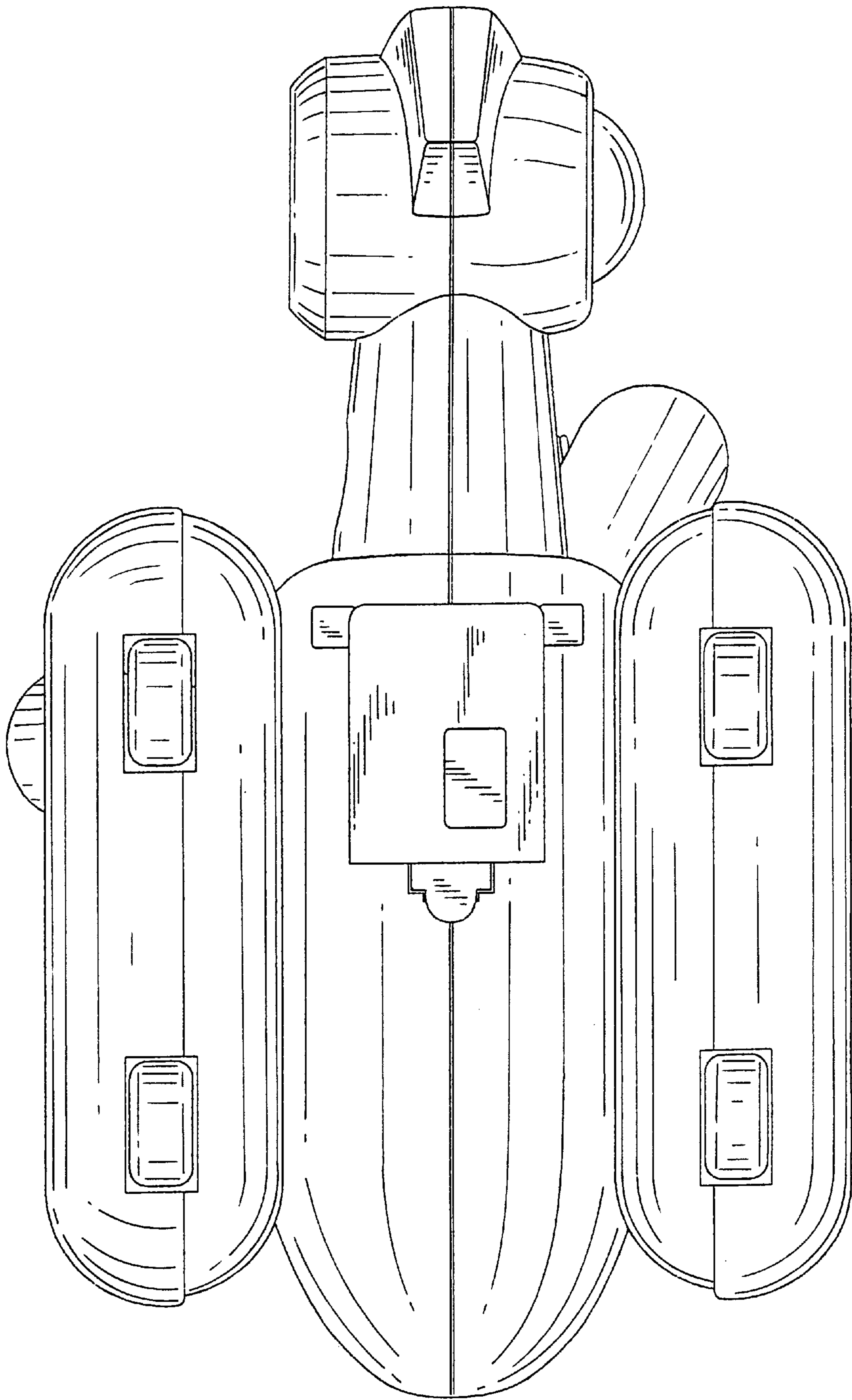


FIG. 5

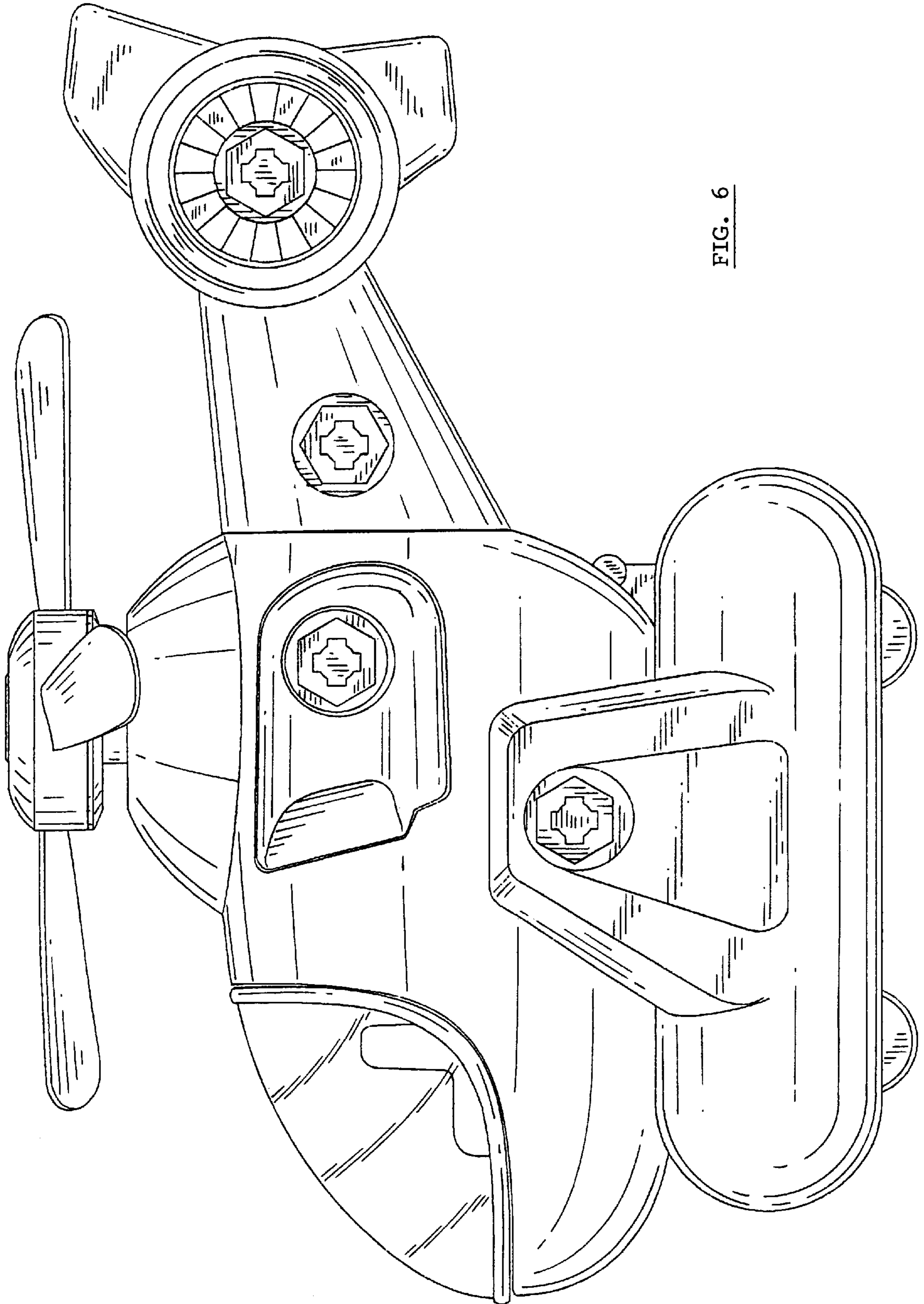


FIG. 6

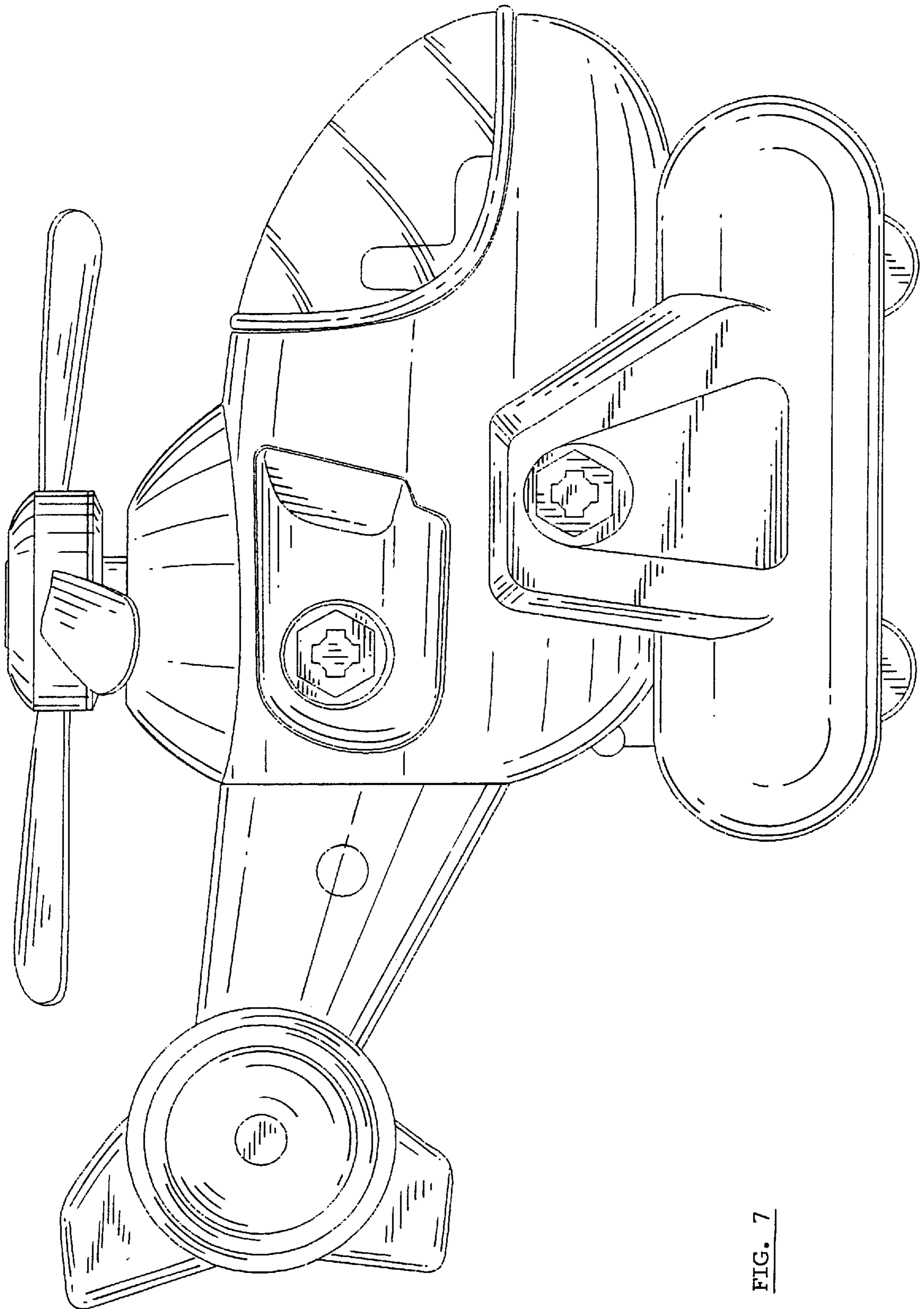


FIG. 7