



US00D431608S

United States Patent [19] Lin

[11] Patent Number: **Des. 431,608**

[45] Date of Patent: **** Oct. 3, 2000**

[54] **WRIST BALL**

D. 400,935 11/1998 Murasaki et al. D21/398
5,692,944 12/1997 Pellicone 482/44
6,030,272 2/2000 Hu 446/233

[76] Inventor: **Chien-Der Lin**, No. 1-3, Lane 251,
Tong-Yeang Road, Fong-Yuan,
Taichung, Taiwan

Primary Examiner—Dominic Simone
Attorney, Agent, or Firm—Browdy and Neimark

[**] Term: **14 Years**

[57] **CLAIM**

[21] Appl. No.: **29/104,718**

The ornamental design for a wrist ball, as shown.

[22] Filed: **May 11, 1999**

DESCRIPTION

[51] **LOC (7) Cl.** **21-01**

FIG. 1 is a front perspective view of a wrist ball showing my new design;

[52] **U.S. Cl.** **D21/398; D21/662**

FIG. 2 is a front elevational view thereof;

[58] **Field of Search** D21/398, 404,
D21/662, 684; 446/233, 234; 482/44, 45

FIG. 3 is a rear elevational view thereof;

[56] **References Cited**

FIG. 4 is a left side elevational view thereof;

U.S. PATENT DOCUMENTS

FIG. 5 is a right side elevational view thereof;

D. 350,796 9/1994 Pravitz D21/684

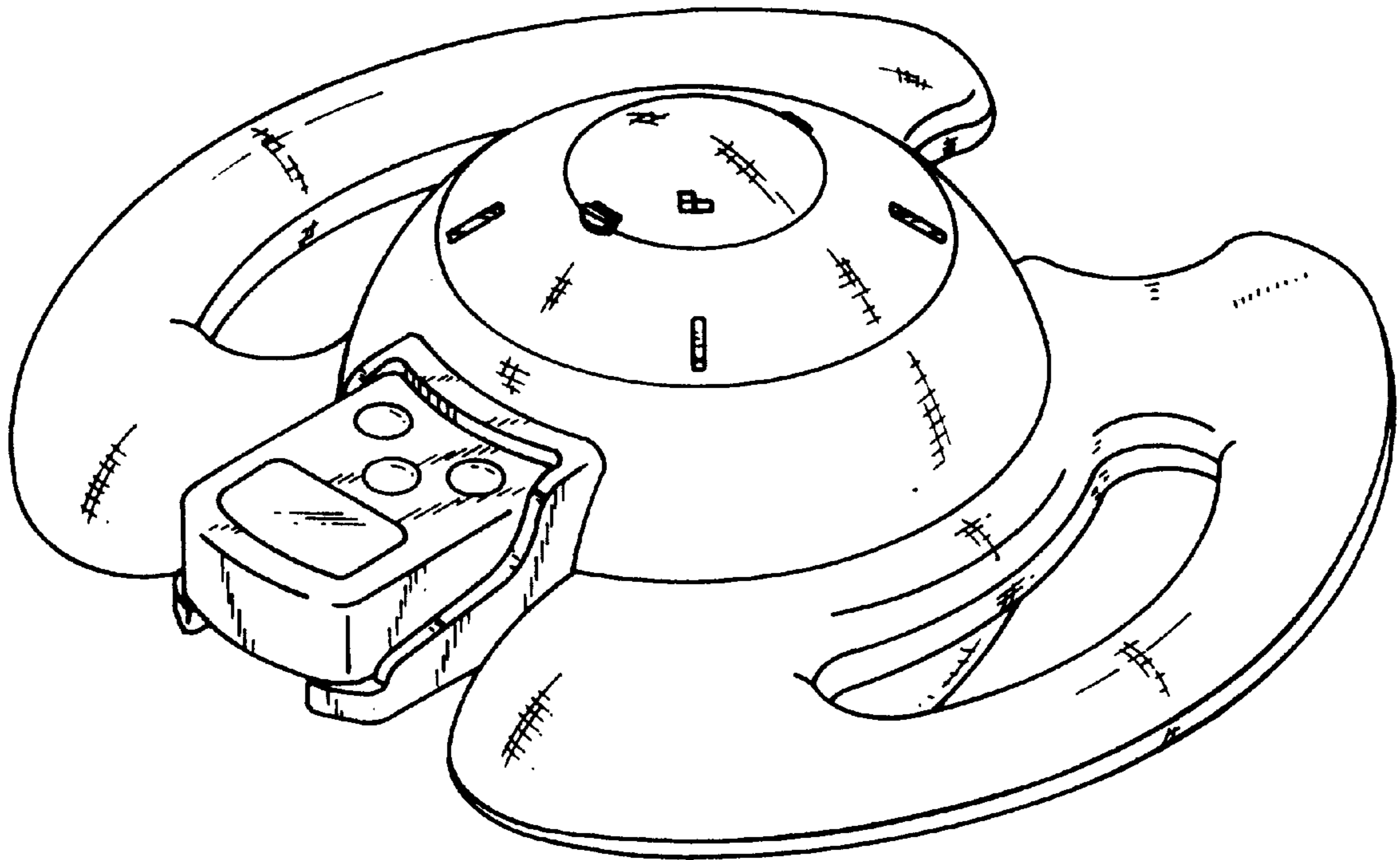
FIG. 6 is a top plan view thereof; and,

D. 375,986 11/1996 Wilkinson et al. D21/398

FIG. 7 is a bottom plan view thereof.

D. 387,805 12/1997 Hsu D21/398 X

1 Claim, 4 Drawing Sheets



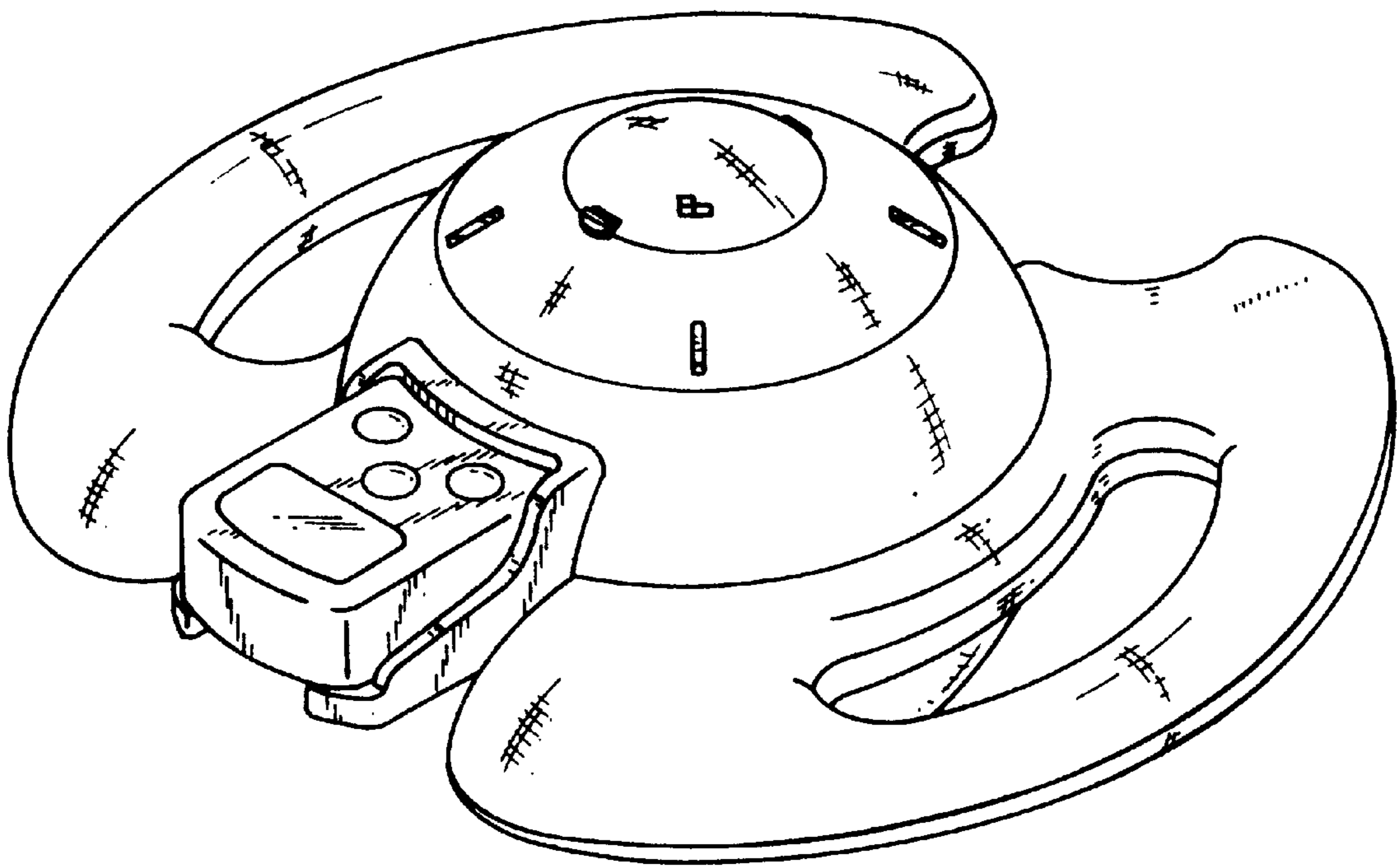


FIG. 1

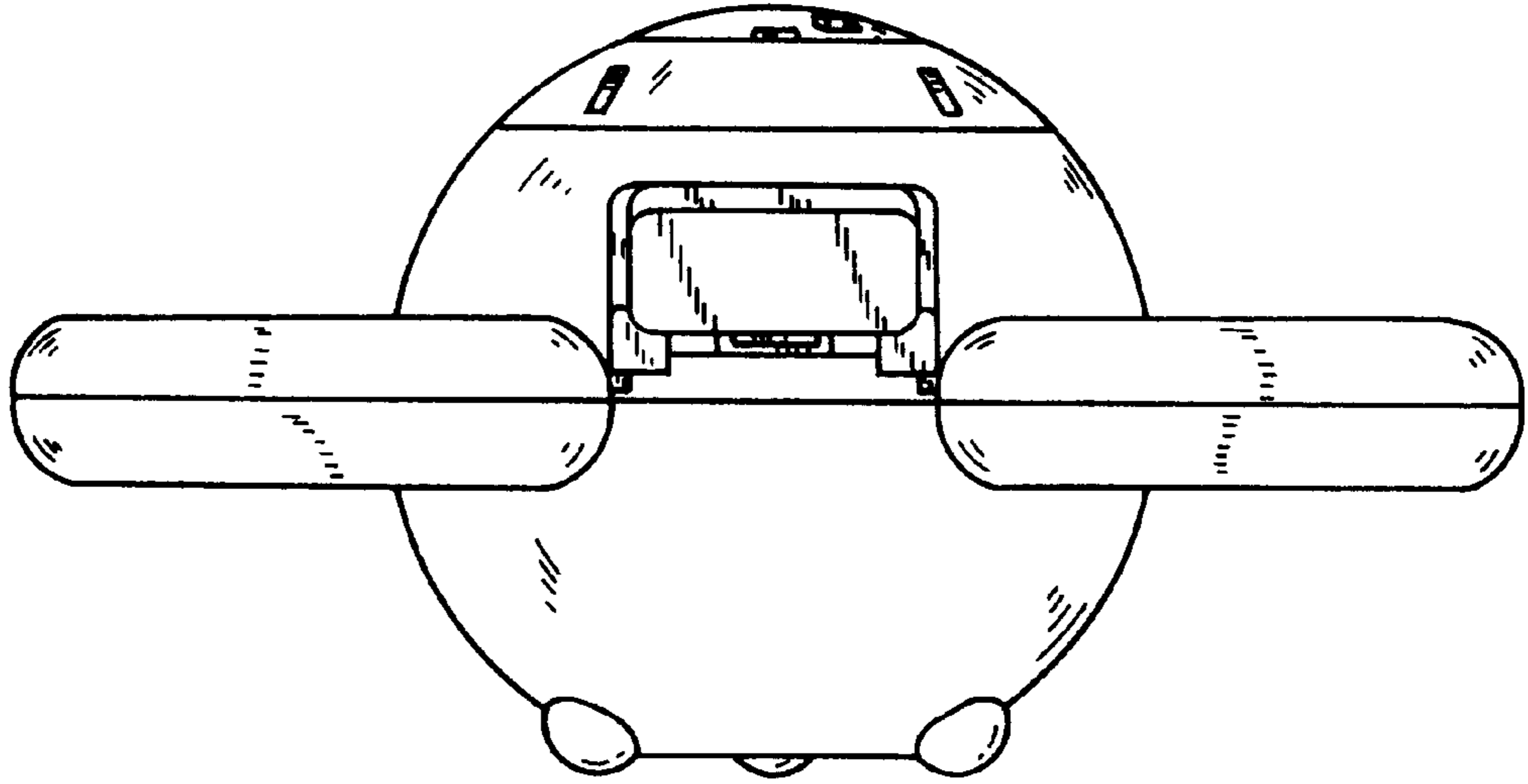


FIG. 2

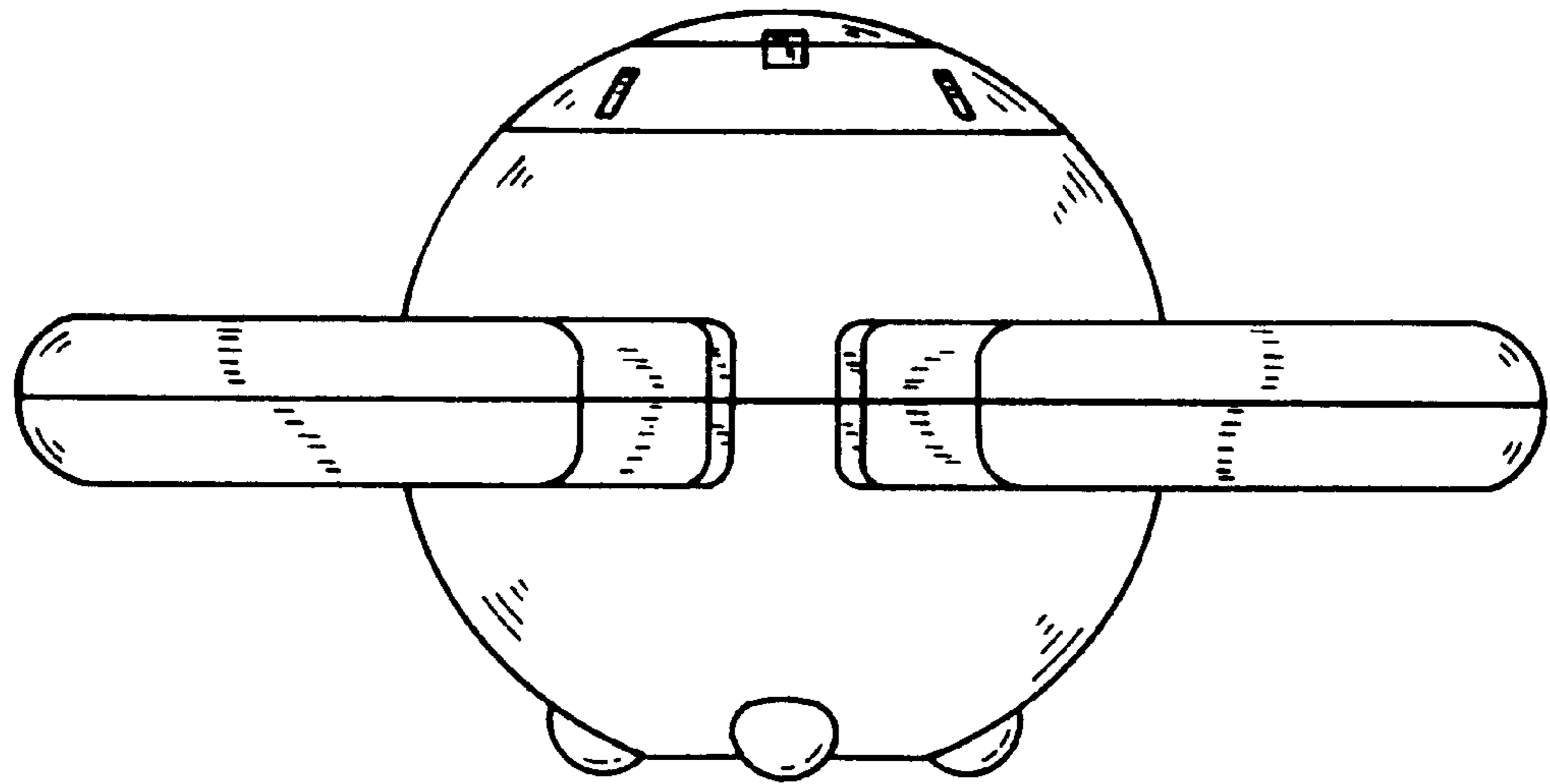


FIG. 3

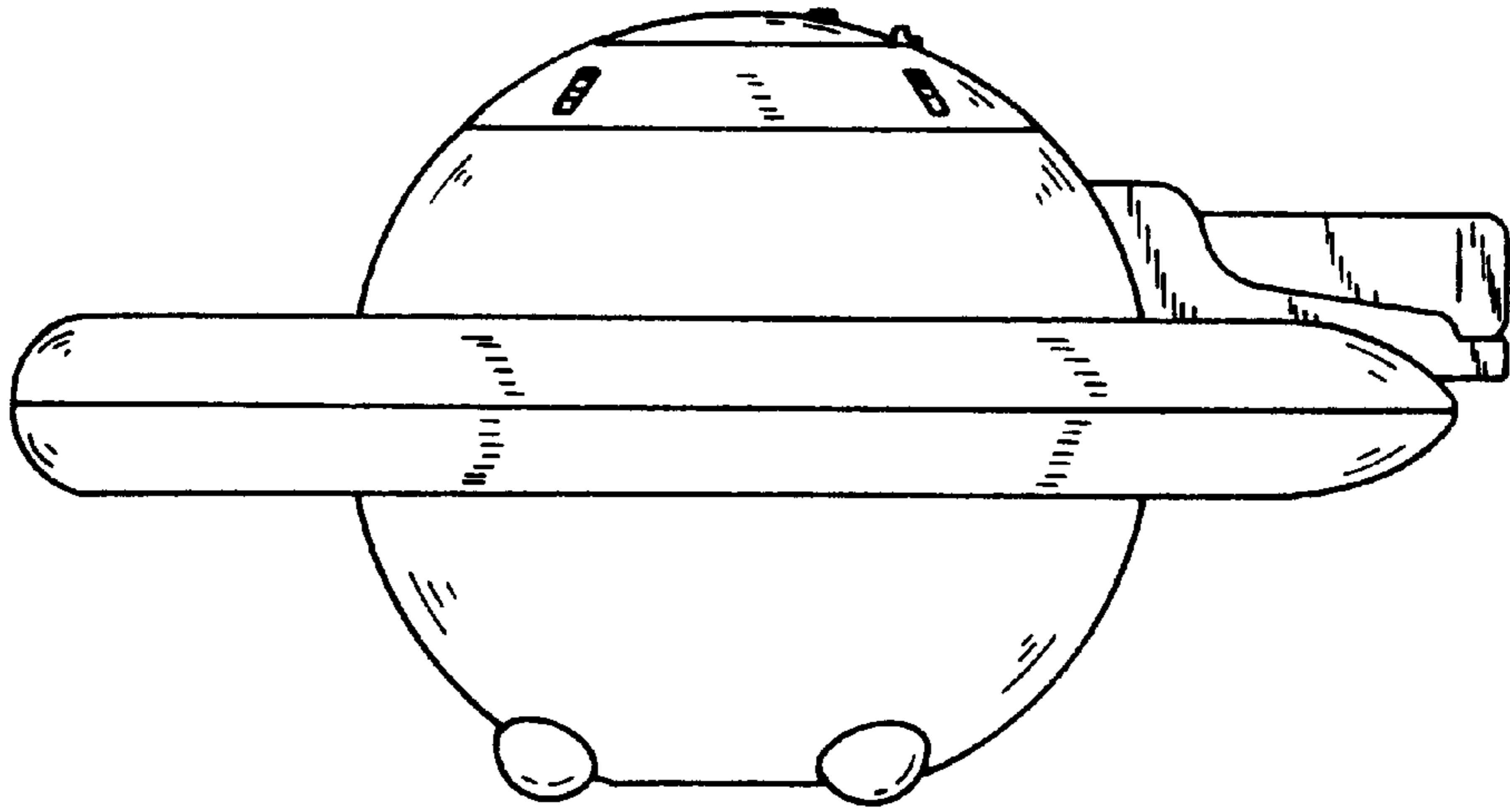


FIG. 4

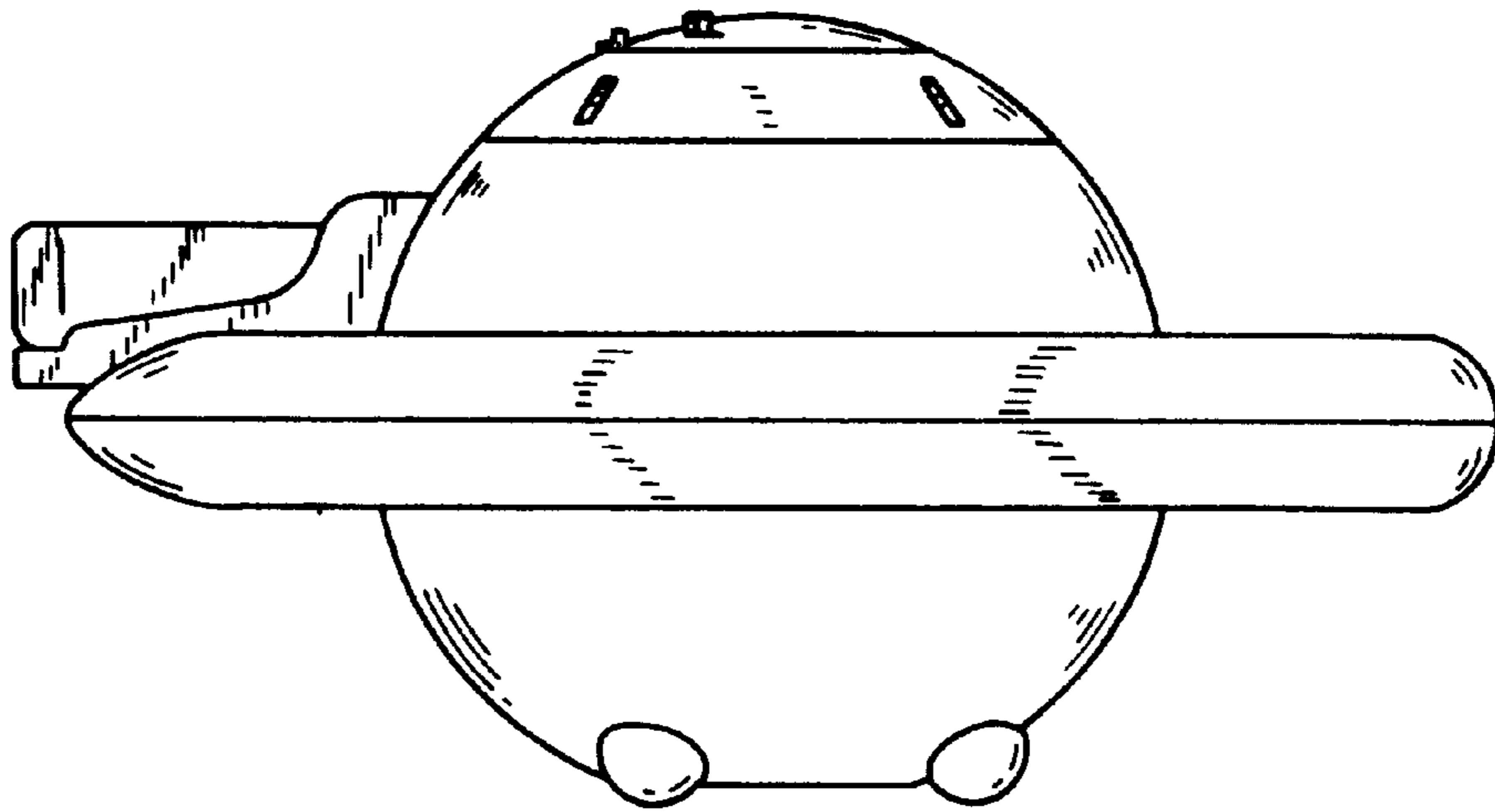


FIG. 5

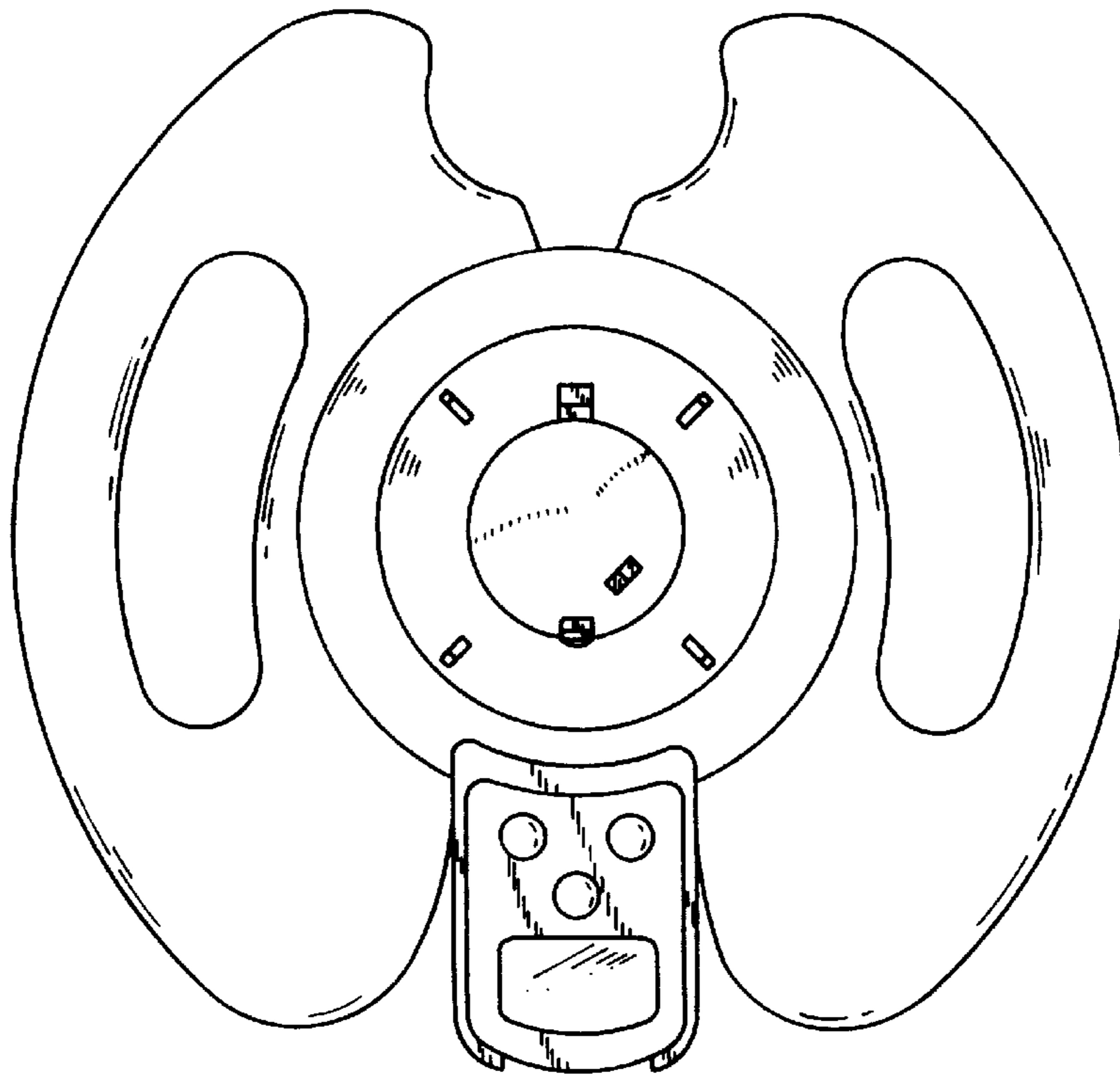


FIG. 6

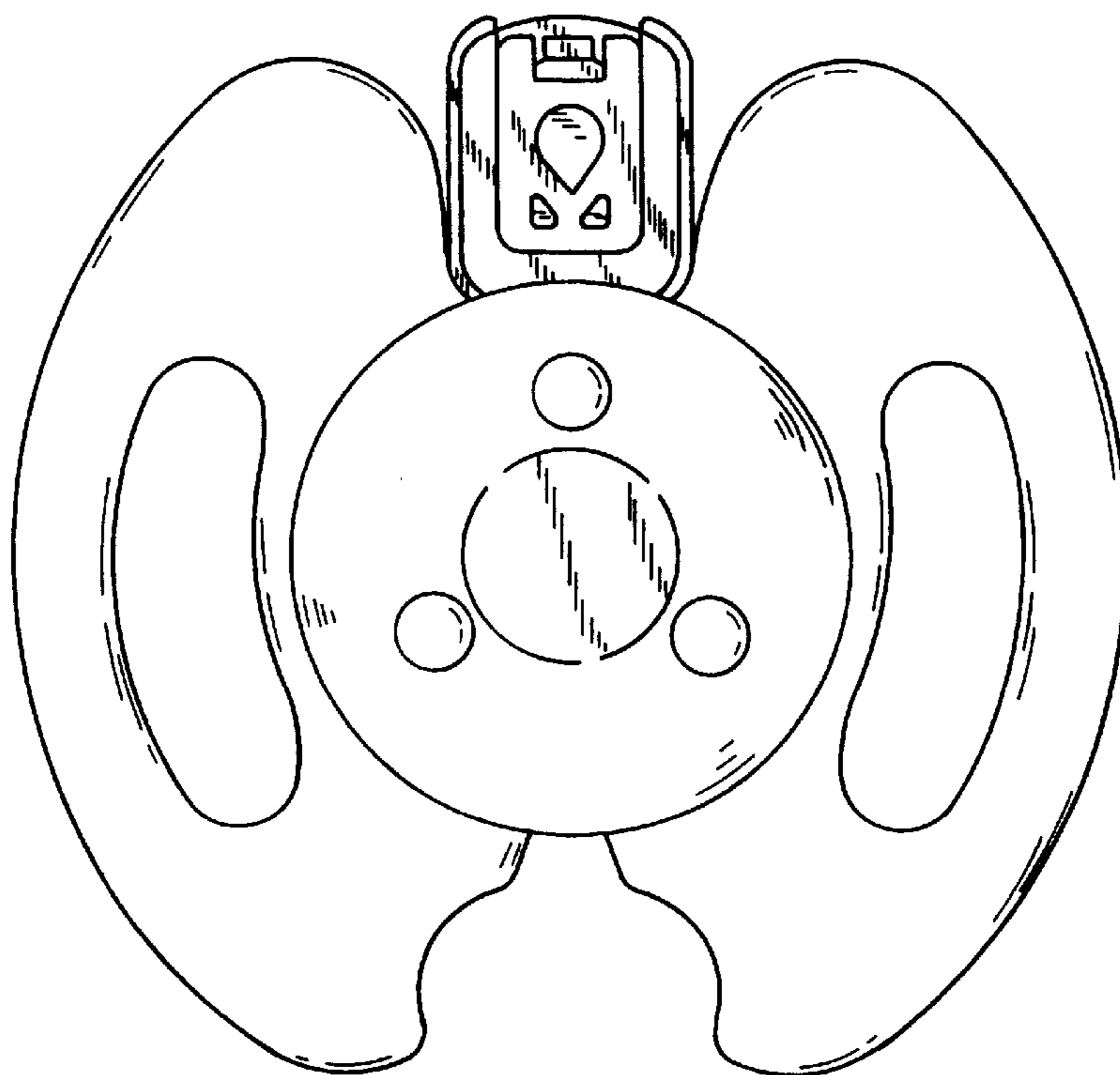


FIG. 7