



US00D431604S

# United States Patent [19] Chan

[11] **Patent Number: Des. 431,604**

[45] **Date of Patent: \*\* Oct. 3, 2000**

[54] **GAME CONTROL PAD**

5,923,317 7/1999 Sayler et al. .... 345/156

[76] Inventor: **Wah Leung Chan**, Flat L, Block 4,  
12/F., Kwun Tong Ind. Bldg., 436-446  
Kwun Tong Road, Kowloon, The Hong  
Kong Special Administrative Region of  
the People's Republic of China

### OTHER PUBLICATIONS

Hongkong Toys Part 2, vol. 1, p. 1249, Jan. 1998.

*Primary Examiner*—Prabhakah Deshmukh  
*Attorney, Agent, or Firm*—Alix, Yale & Ristas, LLP

[\*\*] Term: **14 Years**

### [57] CLAIM

[21] Appl. No.: **29/113,532**

The ornamental design for a game control pad, as shown and described.

[22] Filed: **Nov. 5, 1999**

### DESCRIPTION

[51] **LOC (7) Cl.** ..... **21-01**

[52] **U.S. Cl.** ..... **D21/329; D14/413**

[58] **Field of Search** ..... D21/324, 329-333;  
D14/412-416, 426, 427, 454; 463/1, 30-35,  
46, 47, 37, 38; 345/905, 156-167; 273/148 B

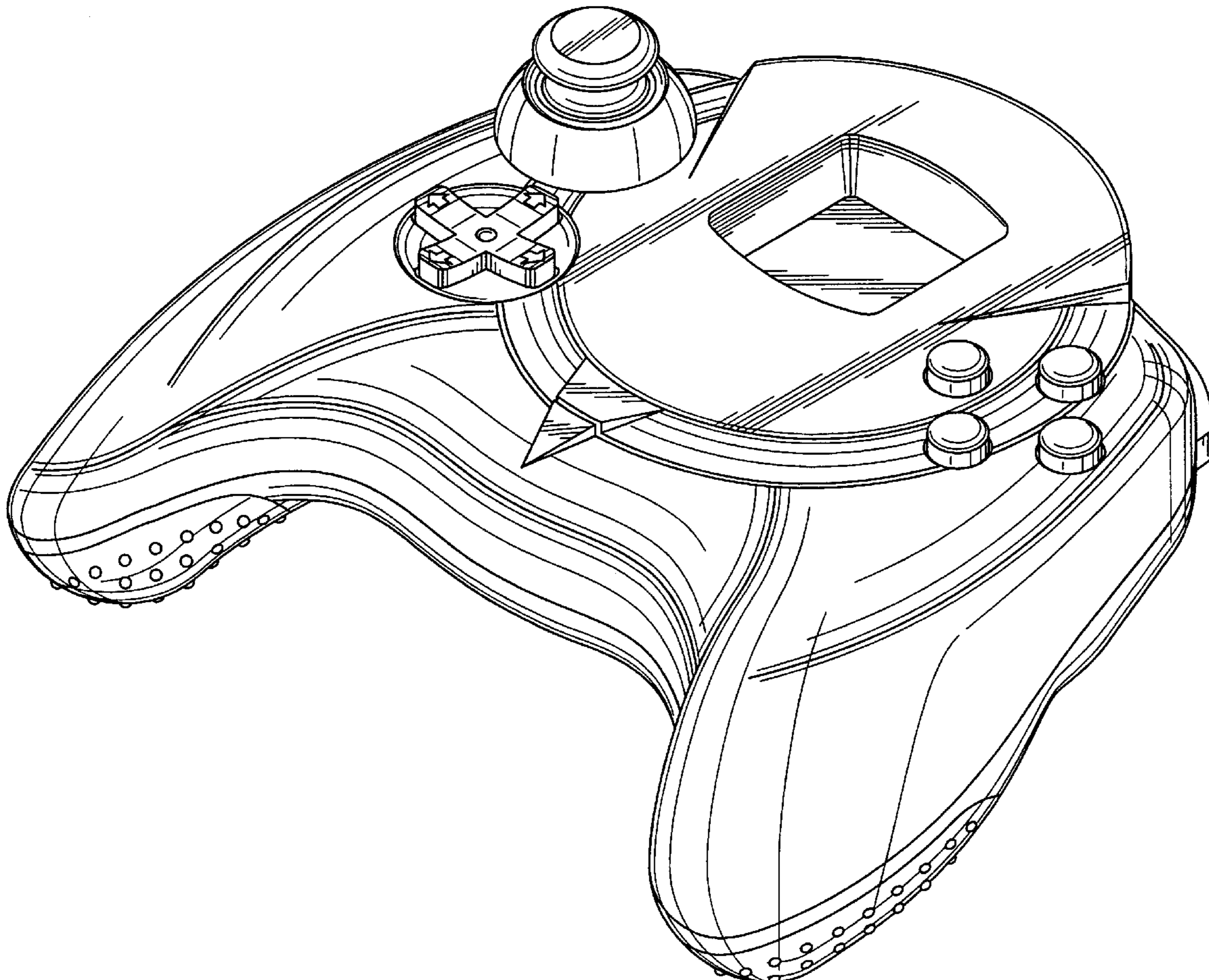
FIG. 1 is a front perspective view of the game control pad showing my new design;  
FIG. 2 is a front view of the game control pad of FIG. 1;  
FIG. 3 is a rear view of the game control pad of FIG. 1;  
FIG. 4 is a left side view of the game control pad of FIG. 1;  
FIG. 5 is a right side view of the game control pad of FIG. 1;  
FIG. 6 is a top plan view of the game control pad of FIG. 1;  
and,  
FIG. 7 is a bottom plan view of the game control pad of FIG. 1.

### [56] References Cited

#### U.S. PATENT DOCUMENTS

D. 380,783	7/1997	Tyler	.....	D14/413
D. 410,914	6/1999	Tyler et al.	.....	D14/413
5,394,168	2/1995	Smith, III et al.	.....	463/37
5,759,100	6/1998	Naknishi	.....	463/37
5,874,906	2/1999	Willner et al.	.....	463/38 X

**1 Claim, 5 Drawing Sheets**



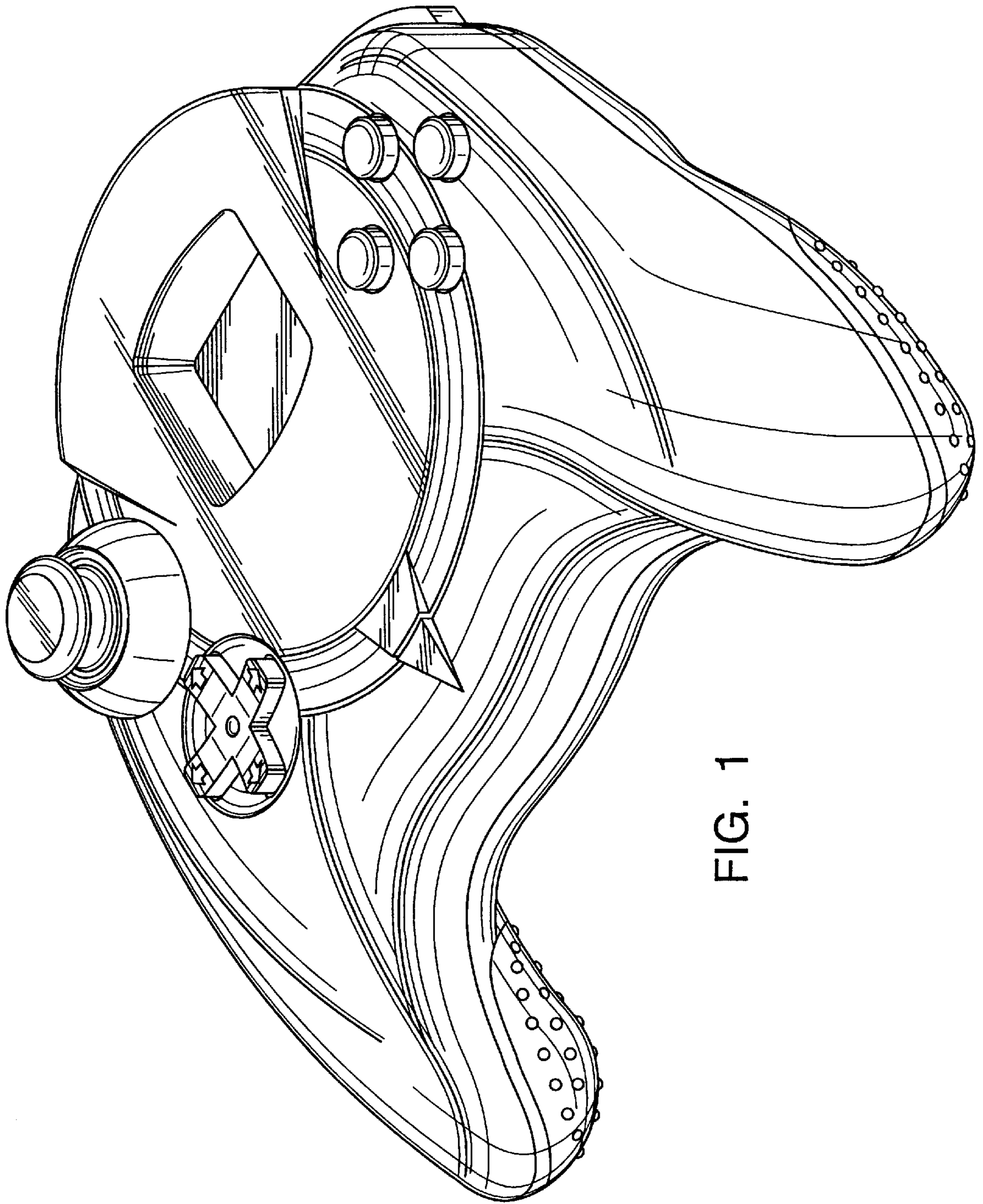


FIG. 1



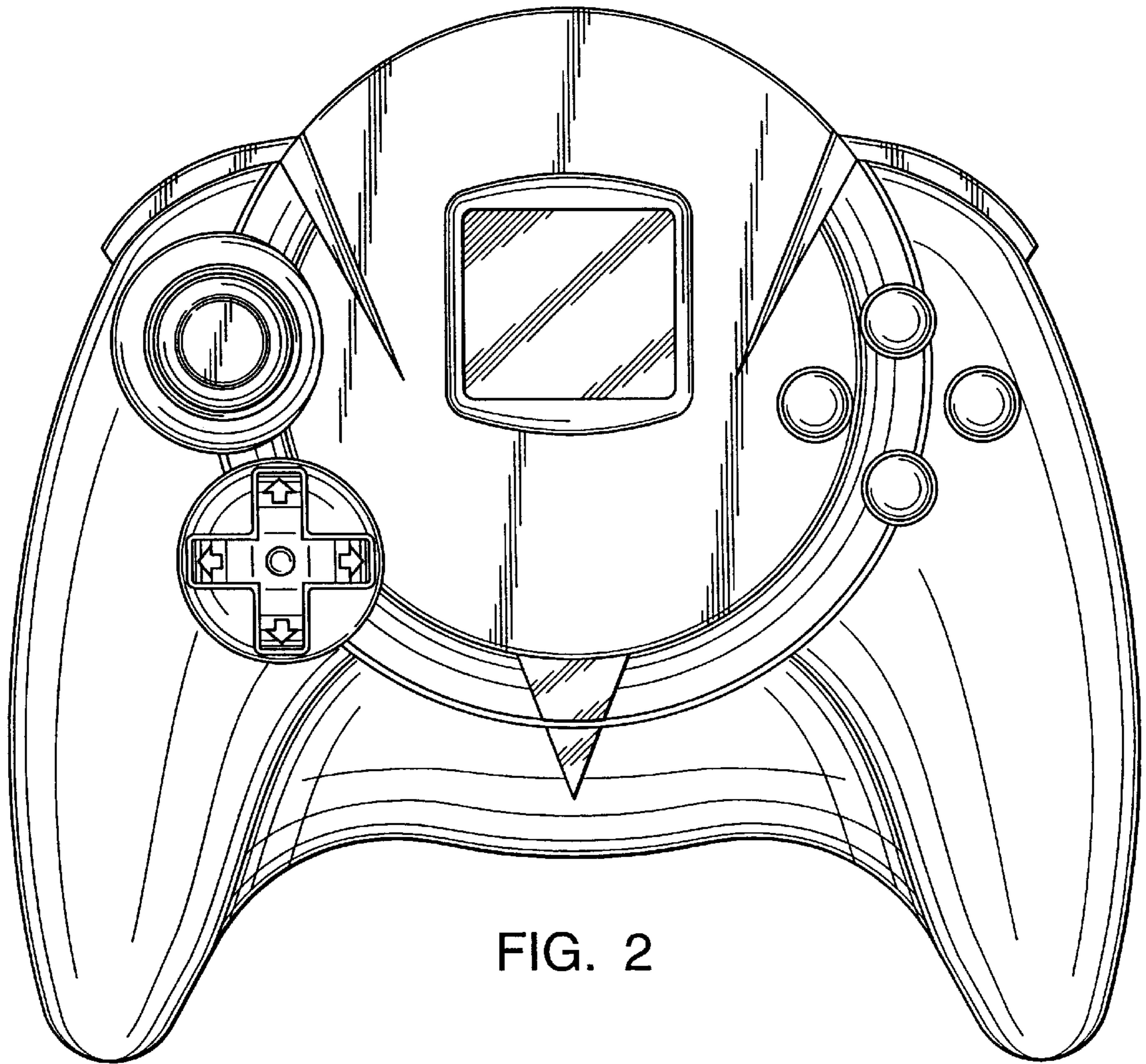


FIG. 2

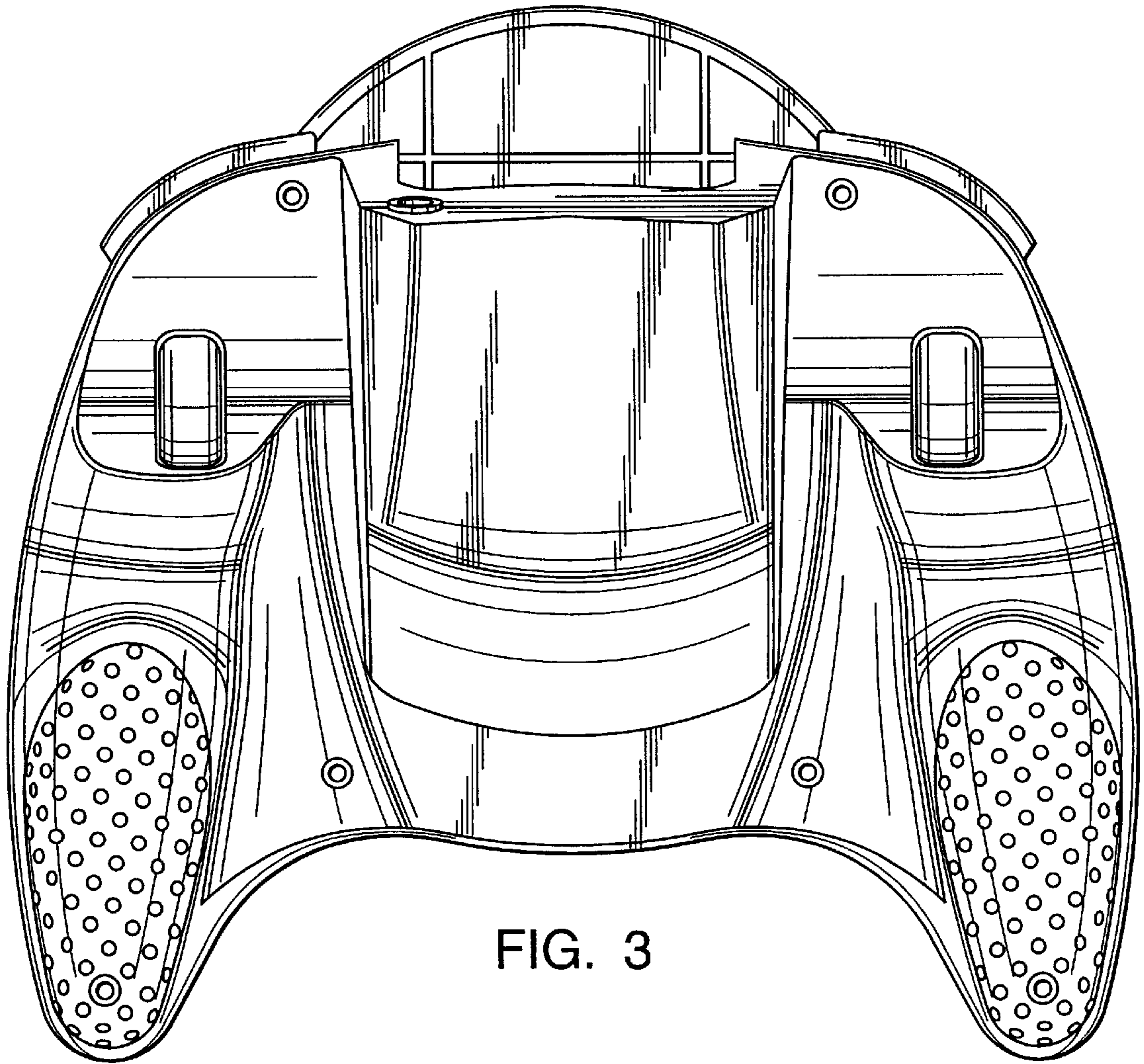


FIG. 3

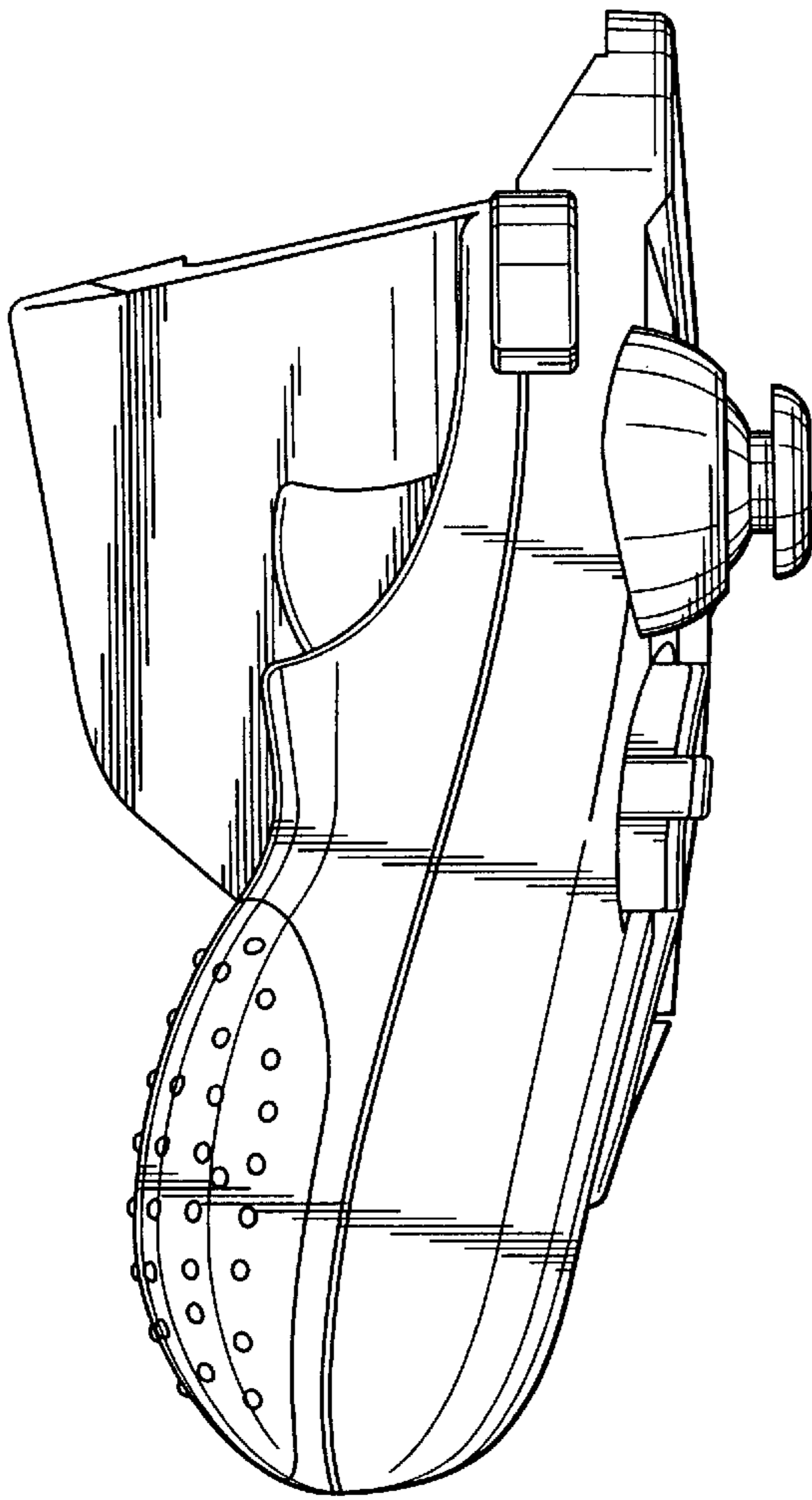


FIG. 4

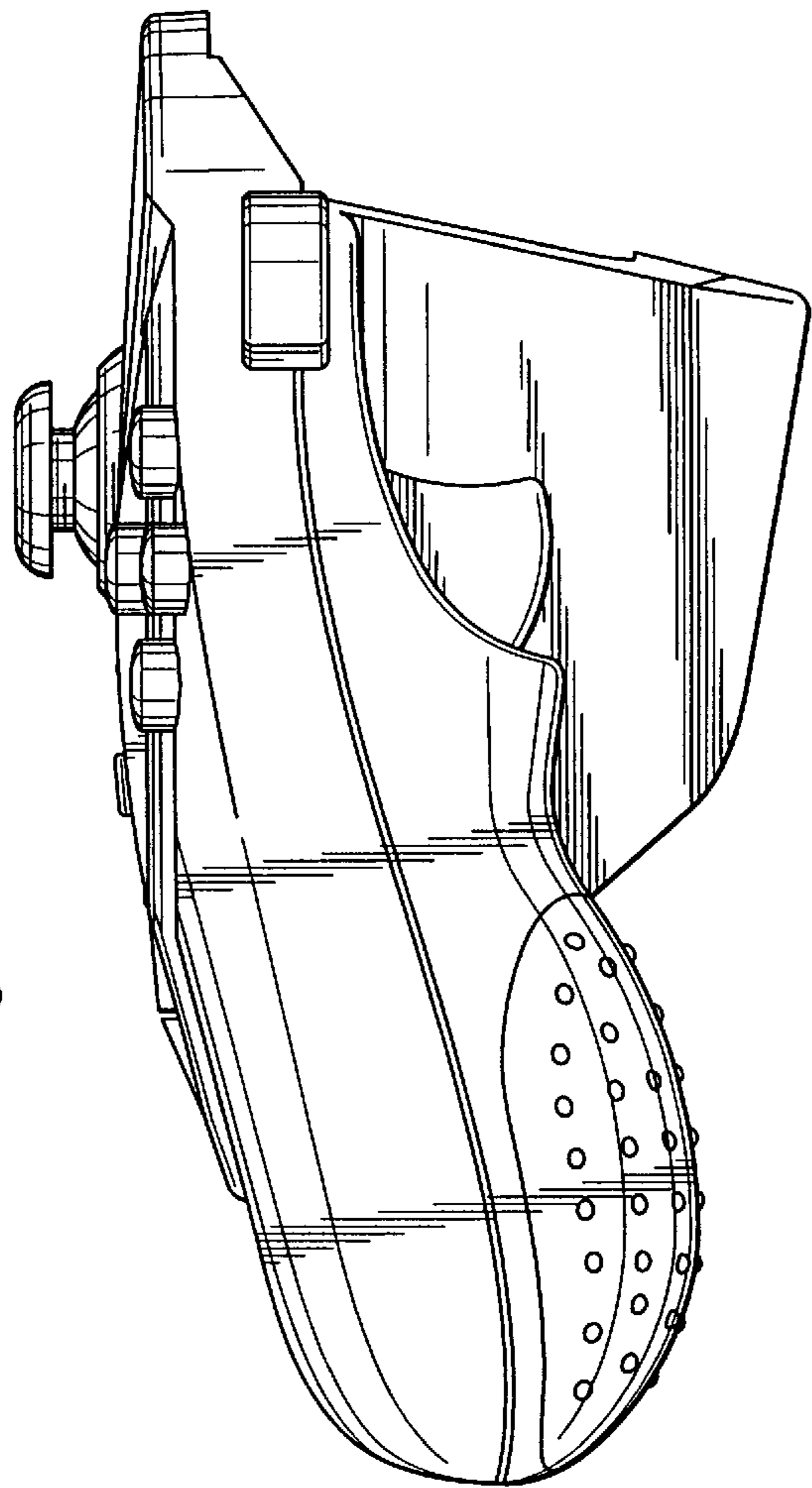


FIG. 5

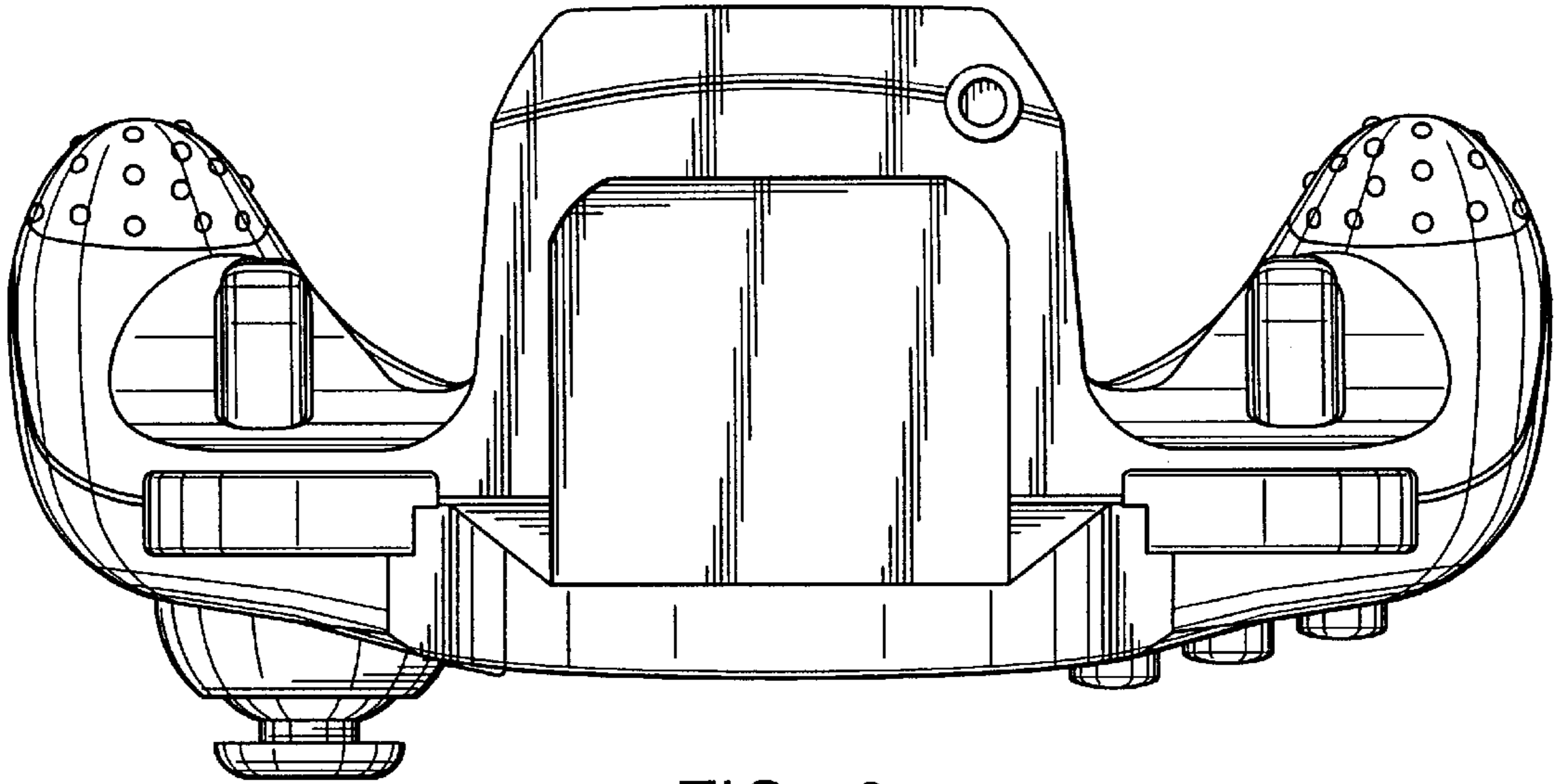


FIG. 6

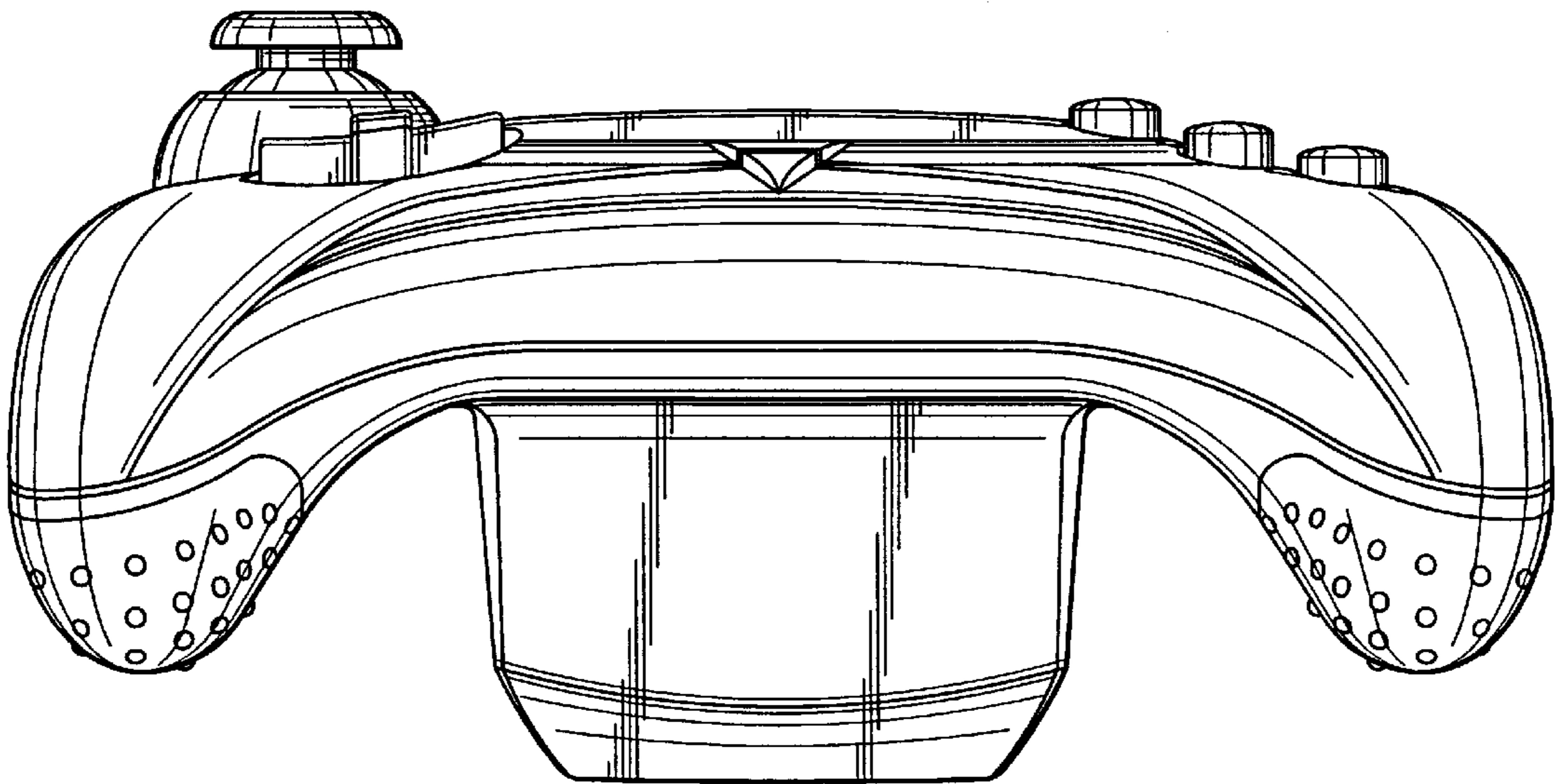


FIG. 7