



US00D431596S

# United States Patent [19] Berger

[11] Patent Number: **Des. 431,596**  
[45] Date of Patent: **\*\* Oct. 3, 2000**

[54] **ELECTRONIC PRINTER**

[75] Inventor: **Caesar Berger**, Calabasas, Calif.

[73] Assignee: **LinkPoint International**, Agoura Hills, Calif.

[\*\*] Term: **14 Years**

[21] Appl. No.: **29/110,113**

[22] Filed: **Aug. 31, 1999**

[51] **LOC (7) Cl.** ..... **18-02**

[52] **U.S. Cl.** ..... **D18/50; 14/2**

[58] **Field of Search** ..... D18/50, 54, 55;  
400/613, 613.1-613.4, 691-694, 690.1-690.4

[56] **References Cited**

**U.S. PATENT DOCUMENTS**

D. 219,593	12/1970	Priessnetz	.....	D18/54
D. 280,900	10/1985	Tsumura et al.	.....	D18/54
D. 281,503	11/1985	Velinsky	.....	D18/54
D. 295,179	4/1988	Feger et al.	.....	D18/54
D. 310,096	8/1990	Heimbürger	.....	D18/55
D. 324,234	2/1992	Tanaka	.....	D18/54
D. 330,723	11/1992	Mitsushima et al.	.....	D18/55
D. 333,316	2/1993	Ishizawa	.....	D18/55
D. 343,190	1/1994	Ishizawa et al.	.....	D18/50
D. 344,077	2/1994	Inukai et al.	.....	D18/50
D. 360,194	7/1995	Shudo	.....	D18/50

D. 376,384	12/1996	Woei-Fang	.....	D18/50
D. 379,826	6/1997	Portesi	.....	D18/50
D. 386,515	11/1997	Sommerville et al.	.....	D18/50
D. 391,286	2/1998	Mizusugi	.....	D18/55
D. 398,638	9/1998	Deutsch	.....	D18/99
D. 401,964	12/1998	Lardant et al.	.....	D18/50
D. 409,232	5/1999	Kim	.....	D18/50
D. 415,789	10/1999	Lardant	.....	D18/50
D. 421,454	3/2000	Thraikill et al.	.....	D18/50
D. 422,631	4/2000	Toriyama et al.	.....	D18/50
5,927,878	7/1999	Kasai et al.	.....	400/681

*Primary Examiner*—Cathy Anne MacCormac  
*Attorney, Agent, or Firm*—Pretty Schroeder & Poplawski, P.C.

[57] **CLAIM**

I claim the ornamental design for an electronic printer, as shown and described

**DESCRIPTION**

FIG. 1 is a perspective view of an electronic printer embodying my new design;  
FIG. 2 is a top plan view thereof;  
FIG. 3 is a right side elevation view thereof;  
FIG. 4 is a left side elevation view thereof;  
FIG. 5 is a bottom plan view thereof;  
FIG. 6 is rear elevation view thereof; and,  
FIG. 7 is a front elevation view thereof.

**1 Claim, 4 Drawing Sheets**

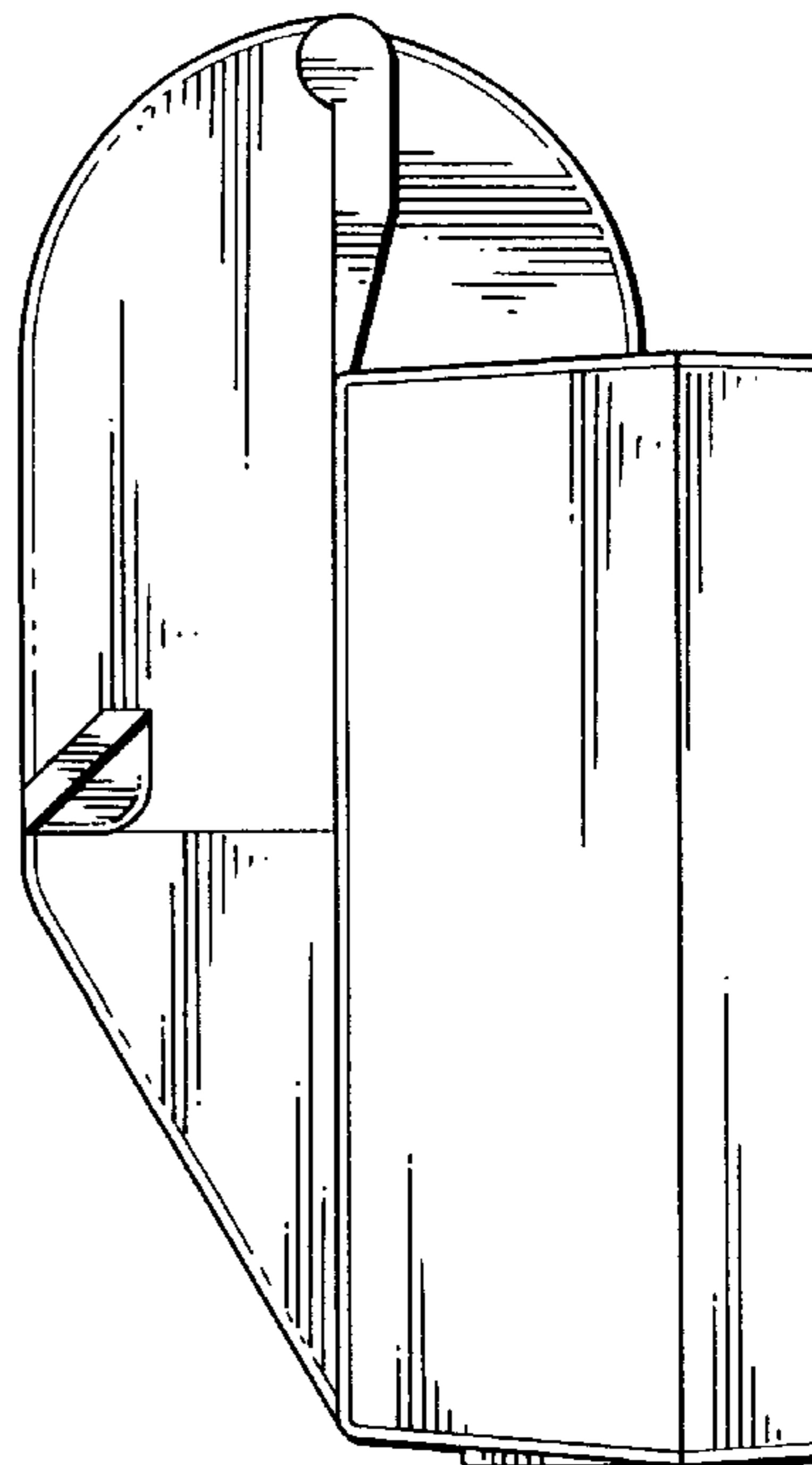
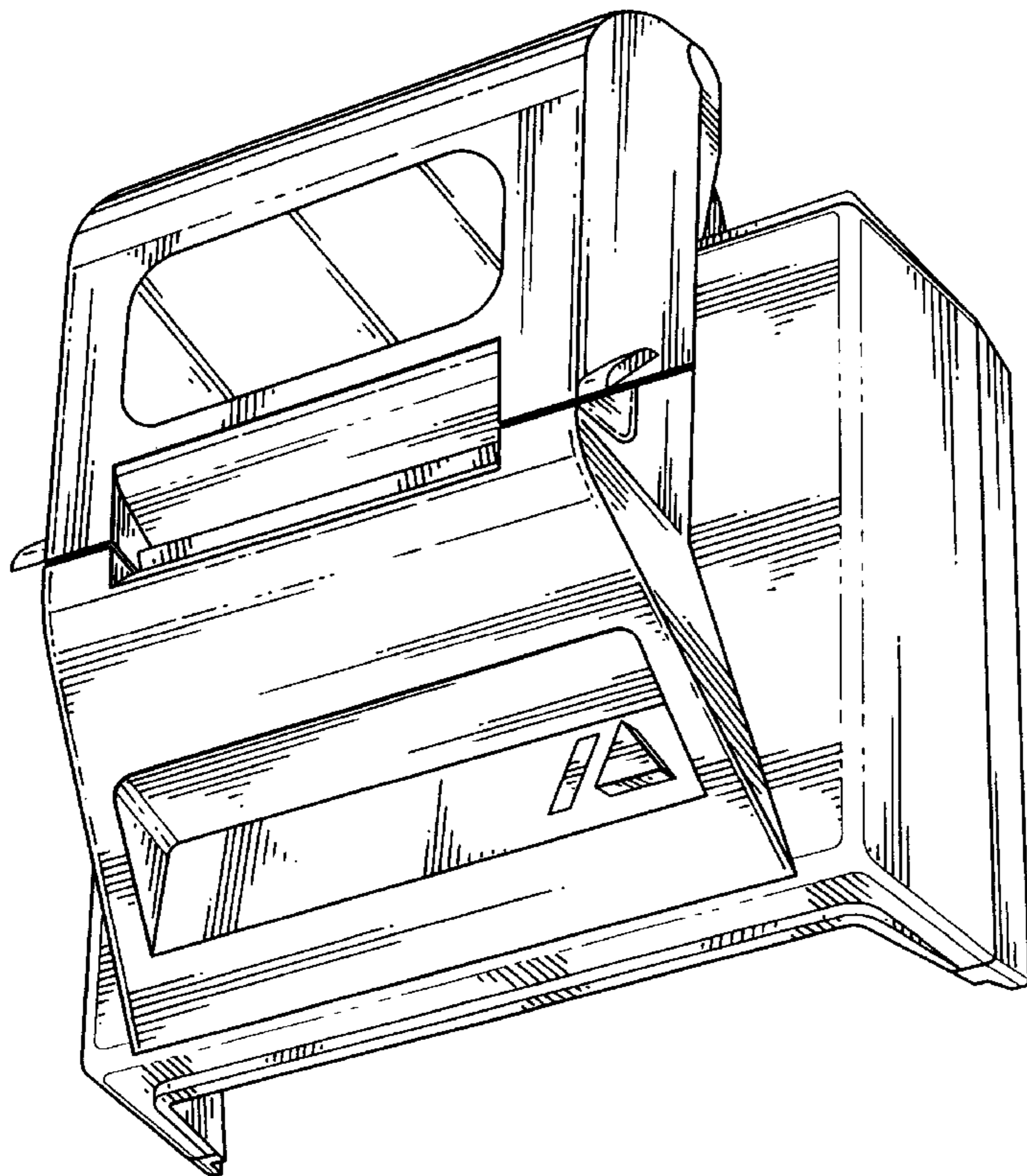
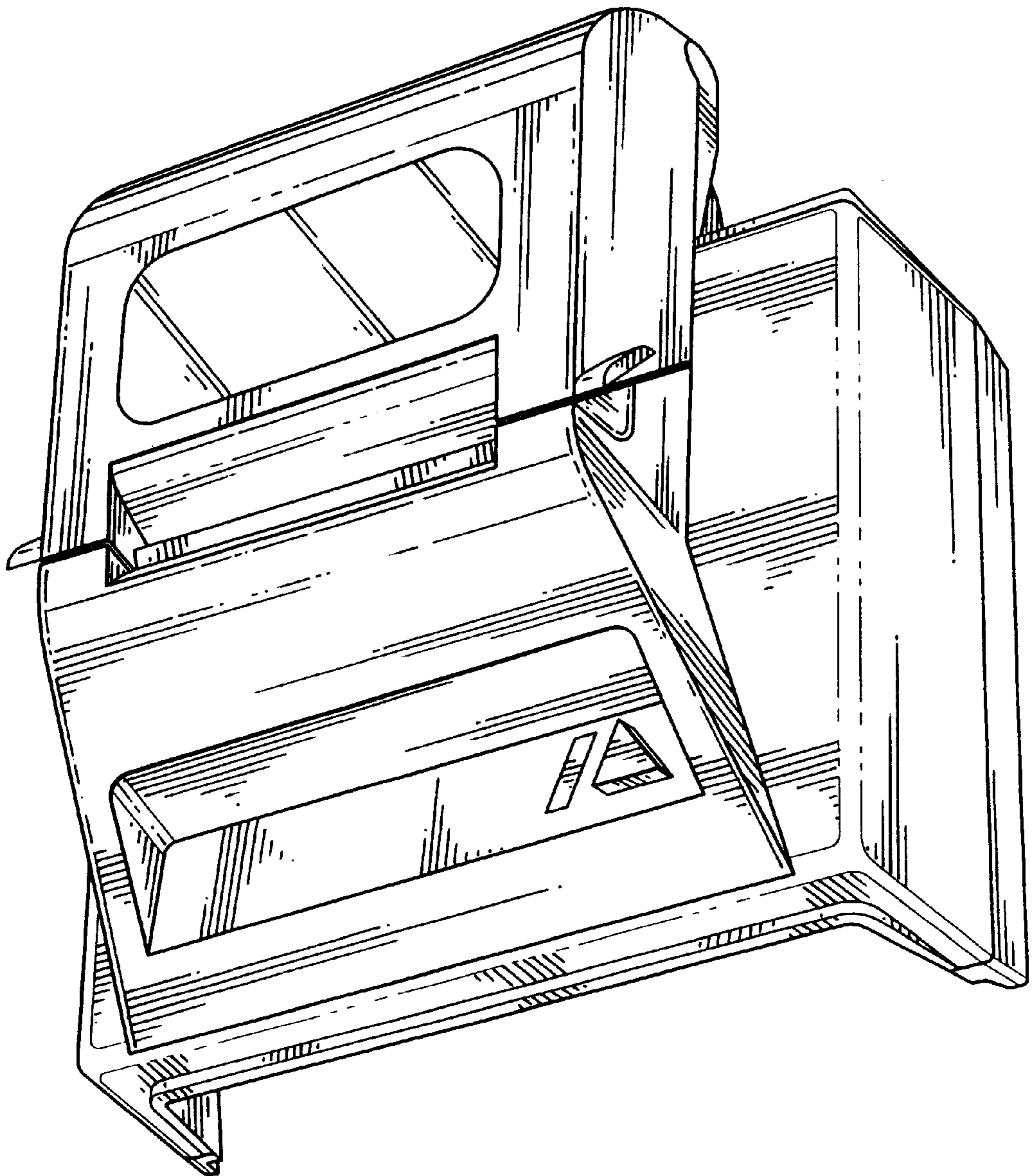


FIG. 1



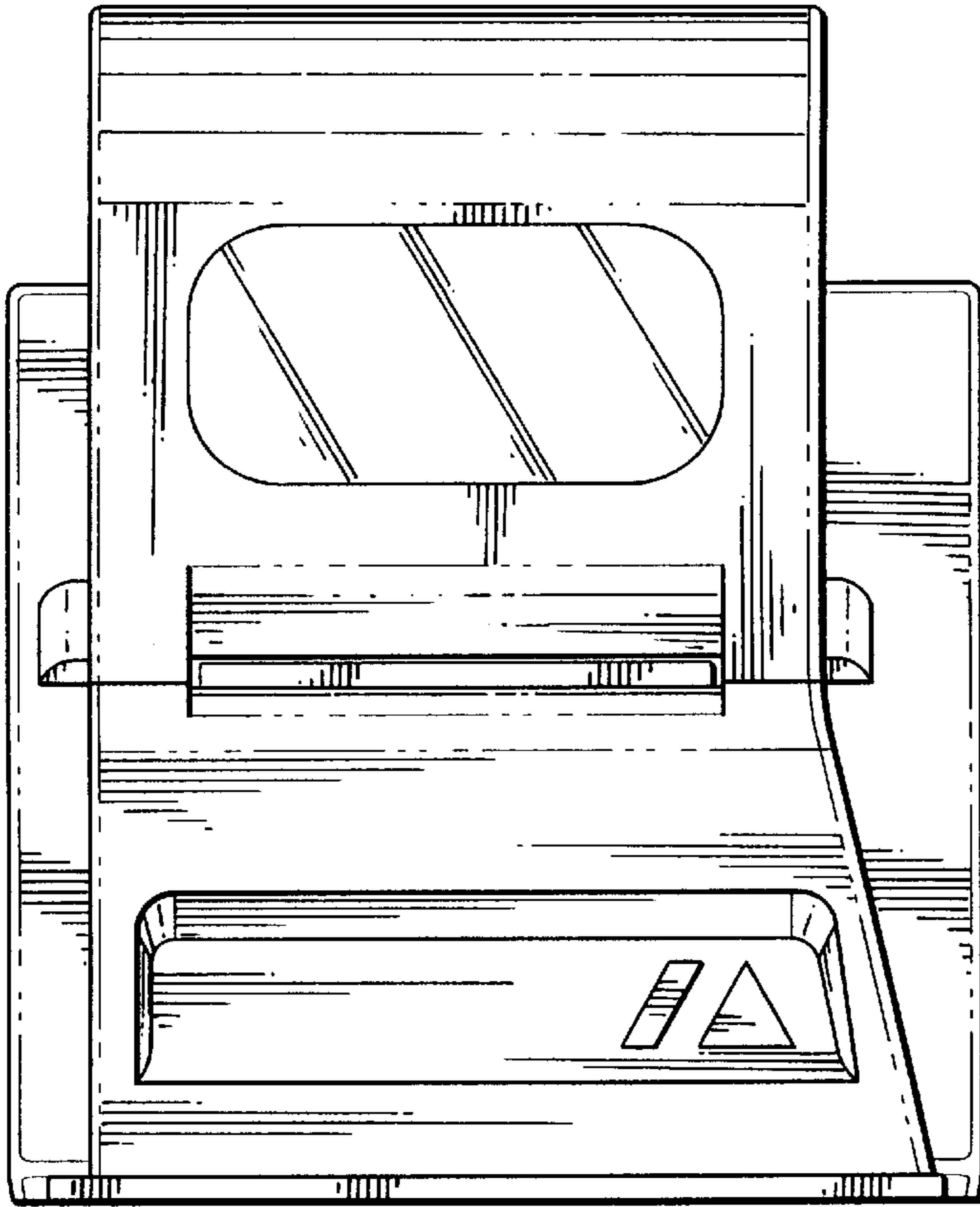


FIG. 2

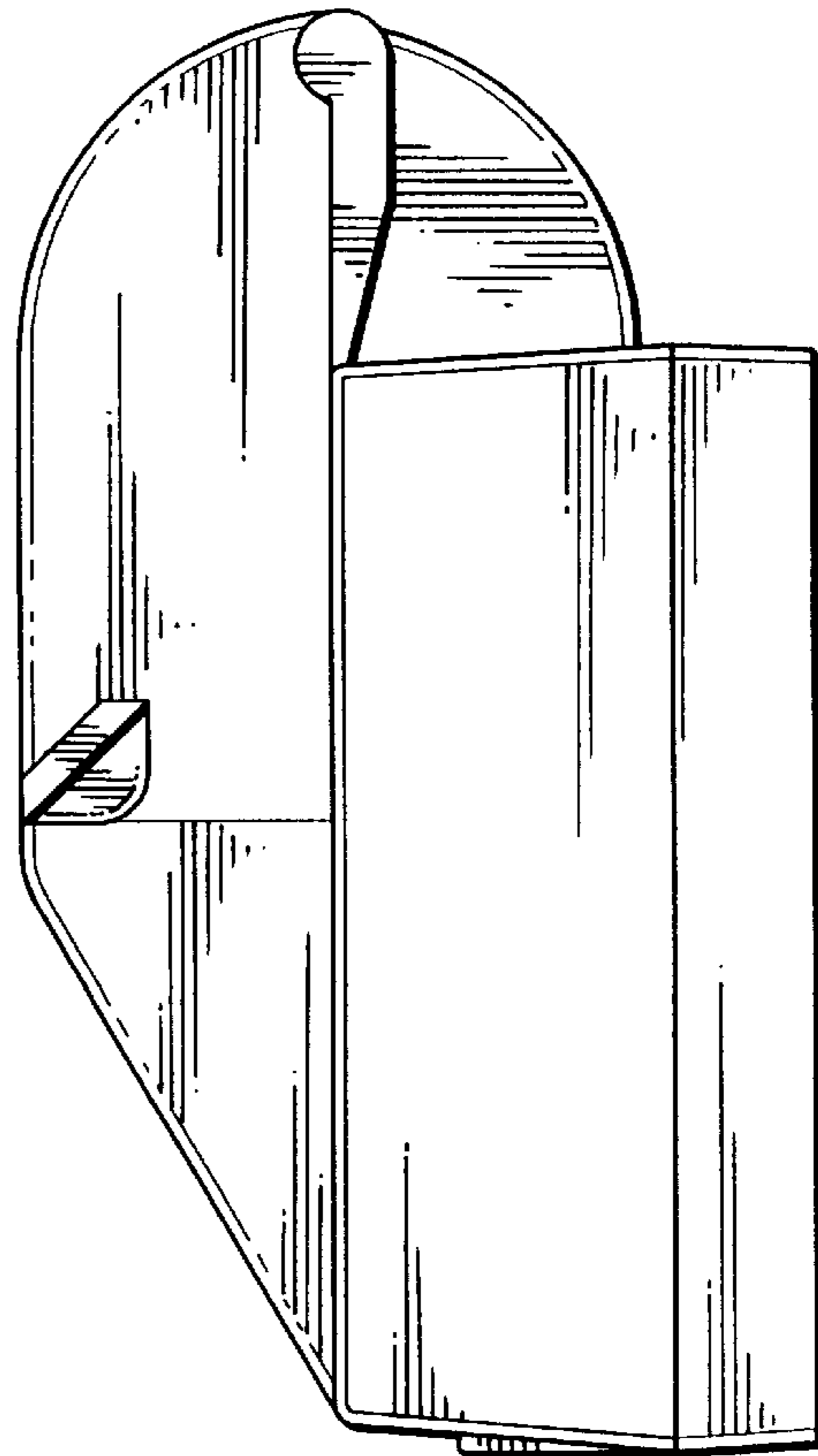


FIG. 3

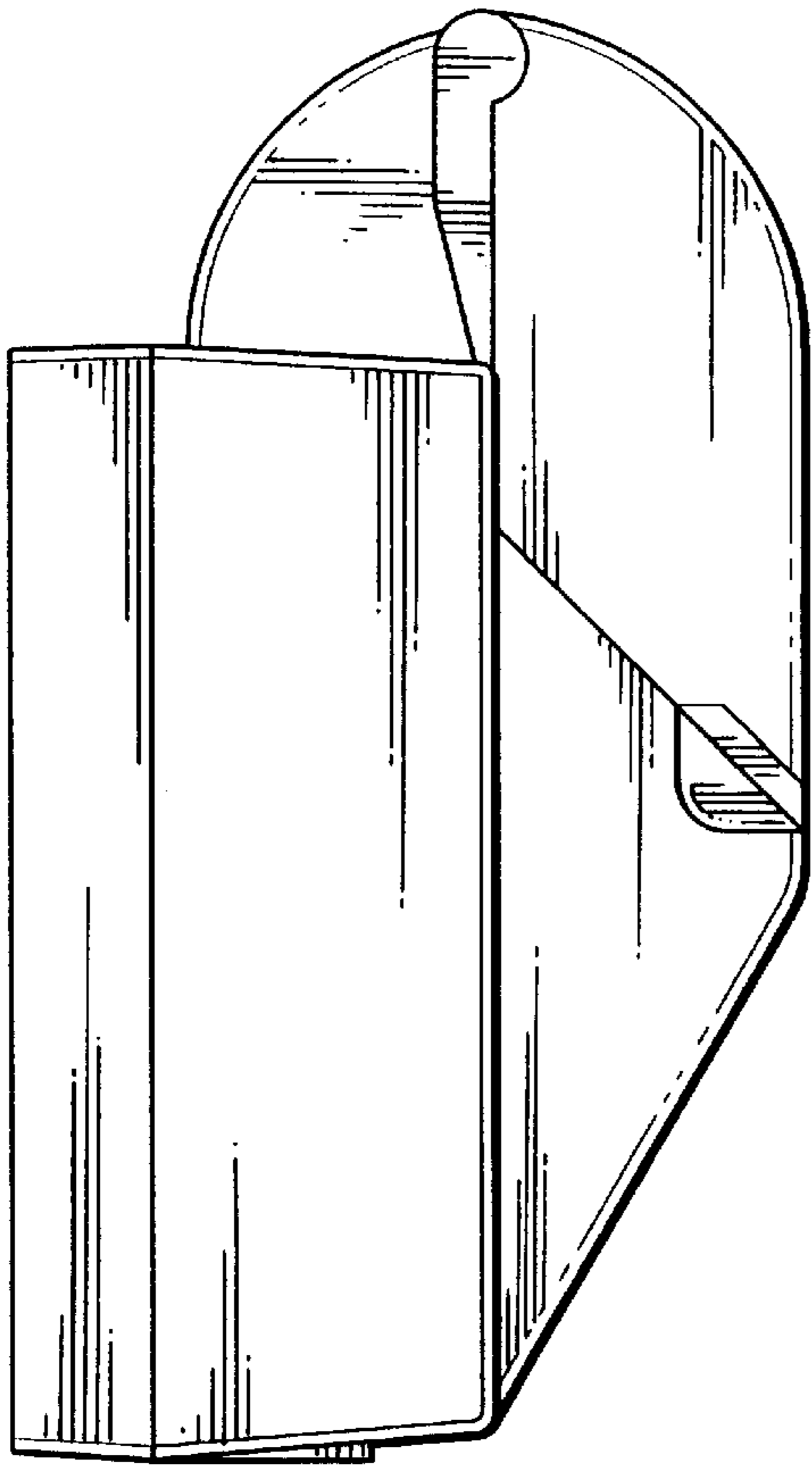


FIG. 4

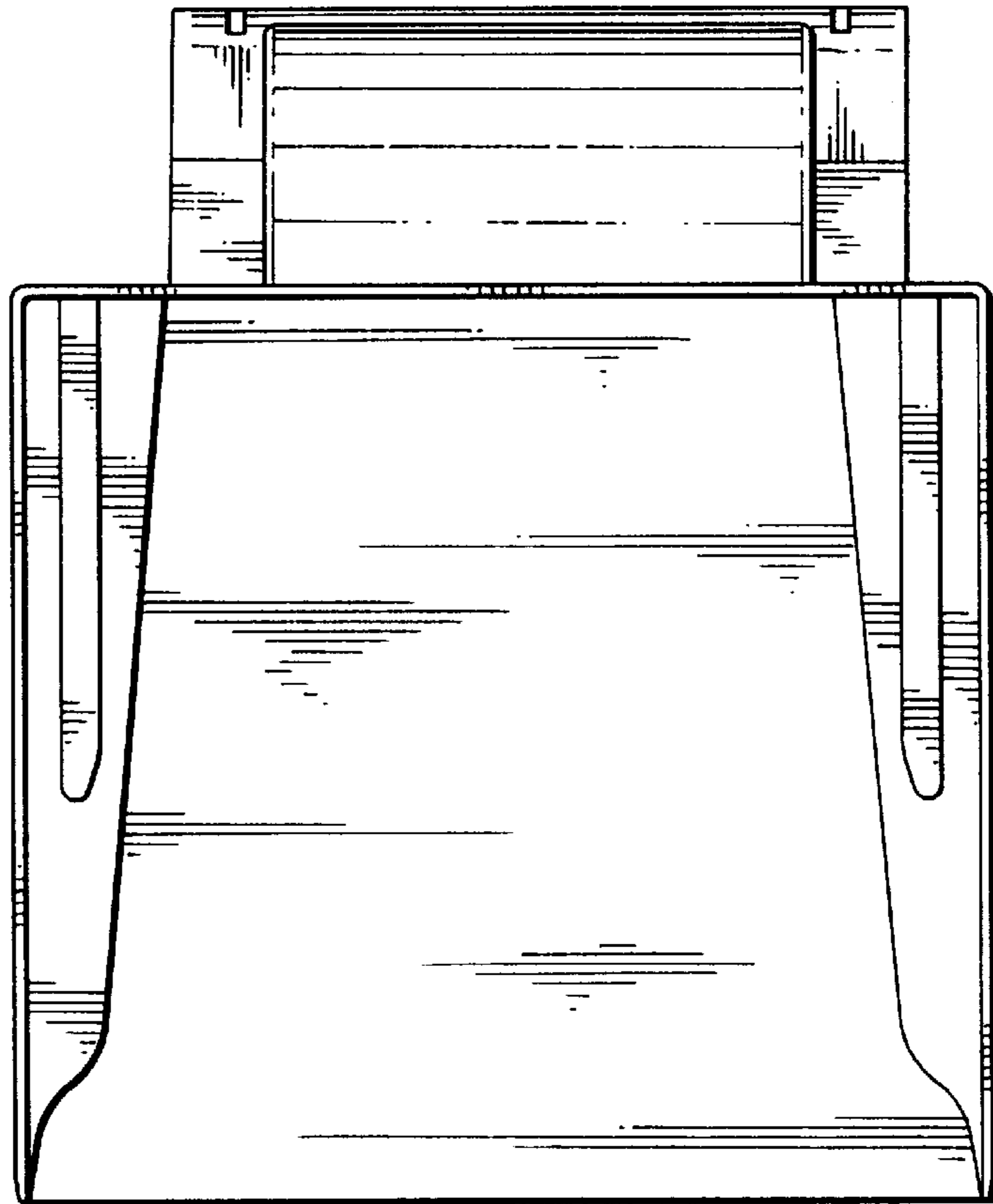


FIG. 5

FIG. 6

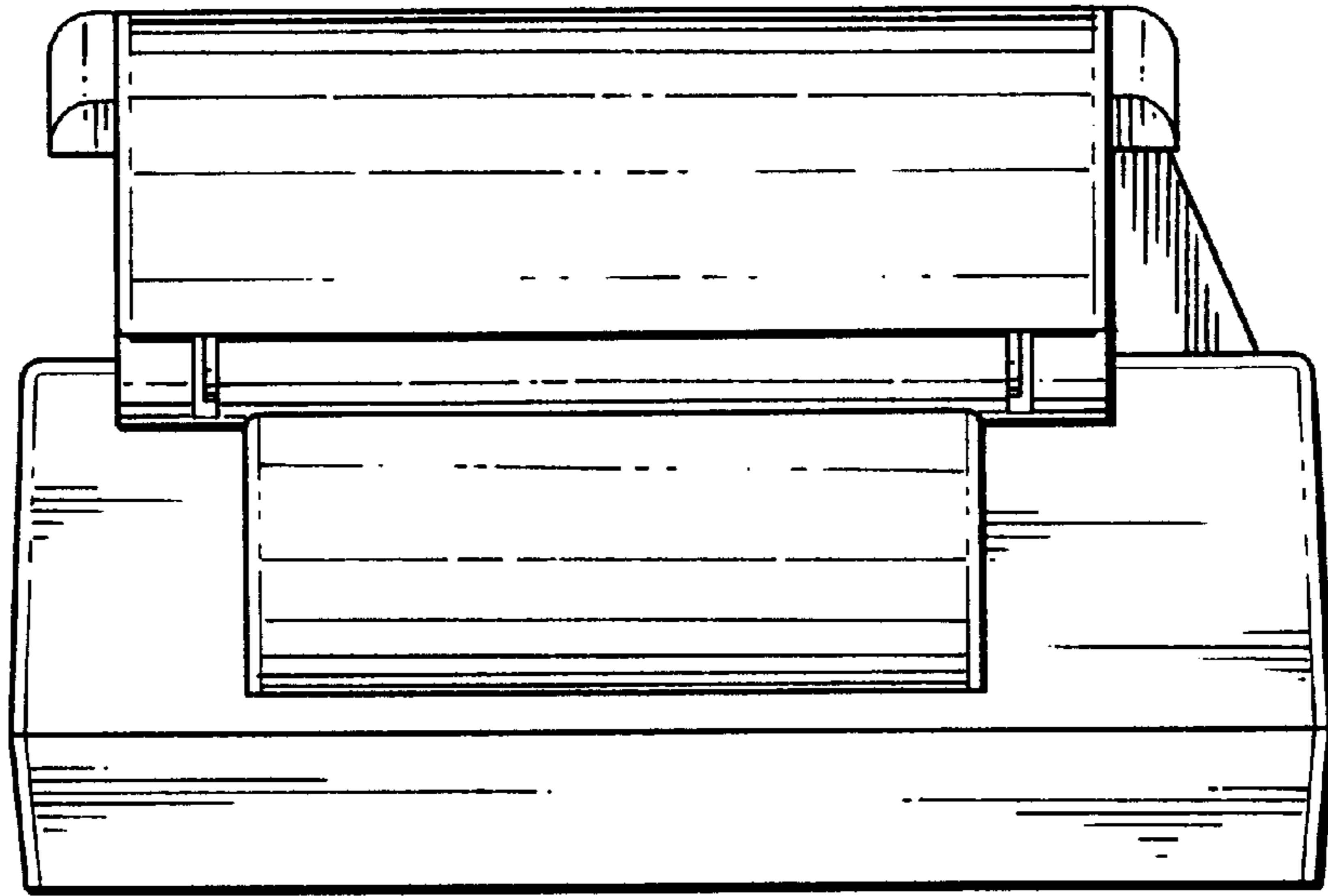


FIG. 7

