



US00D431594S

United States Patent [19]

Watanabe et al.

[11] **Patent Number: Des. 431,594**

[45] **Date of Patent: ** Oct. 3, 2000**

[54] **CONTROL PANEL FOR COPYING MACHINE**

D. 339,370	9/1993	Sugihara et al.	D18/39
D. 358,412	5/1995	Momose et al.	D18/39
D. 380,006	6/1997	Takahashi et al.	D18/39

[75] Inventors: **Shu Watanabe; Hiroshi Nakada; Masaaki Takenouchi; Rie Takada**, all of Yokohama, Japan; **Donald Brown**, Rochester, N.Y.

Primary Examiner—Caron D. Veynar
Attorney, Agent, or Firm—Oliff & Berridge, PLC.

[73] Assignee: **Fuji Xerox Co., Ltd.**, Tokyo, Japan

[**] Term: **14 Years**

[57] **CLAIM**

The ornamental design for a control panel for copying machine, as shown and described.

[21] Appl. No.: **29/108,759**

[22] Filed: **Aug. 4, 1999**

DESCRIPTION

[30] **Foreign Application Priority Data**

Feb. 9, 1999 [JP] Japan 11-2780

FIG. 1 is a perspective view of the top, front and right side of a control panel for copying machine showing our new design;

[51] **LOC (7) Cl.** **16-03**

[52] **U.S. Cl.** **D18/41**

FIG. 2 is a front view thereof;

FIG. 3 is a top plan view thereof;

FIG. 4 is a right side view thereof;

FIG. 5 is a left side view thereof;

FIG. 6 is a rear view thereof; and,

FIG. 7 is a bottom view thereof.

[58] **Field of Search** D18/36-41; 399/1, 399/3, 81; 355/400

The broken line showings in FIGS. 1-7 are for illustrative purposes only and form no part of the claimed design.

[56] **References Cited**

U.S. PATENT DOCUMENTS

D. 328,095 7/1992 Sugihara et al. D18/39

1 Claim, 7 Drawing Sheets

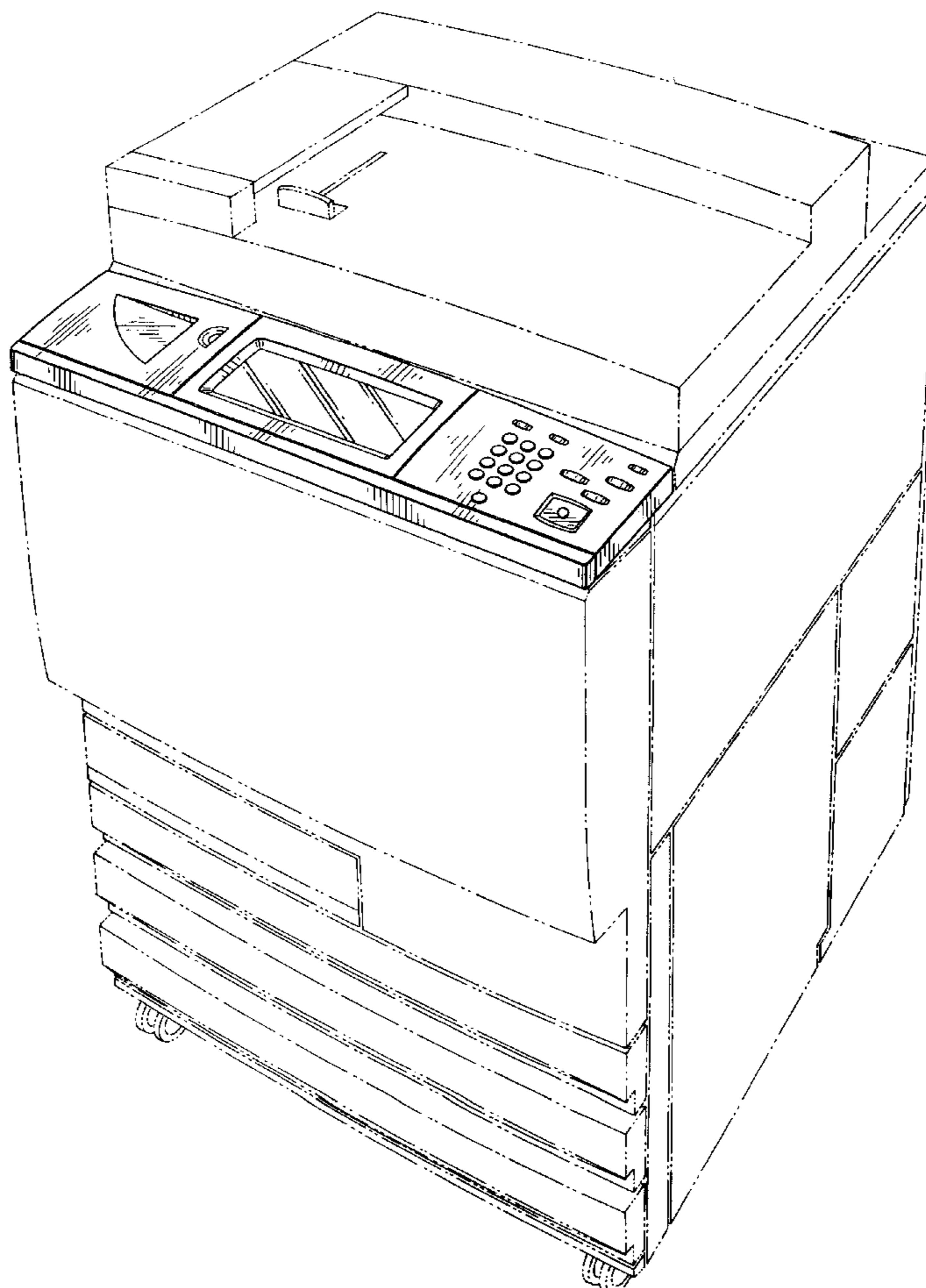


FIG. 1

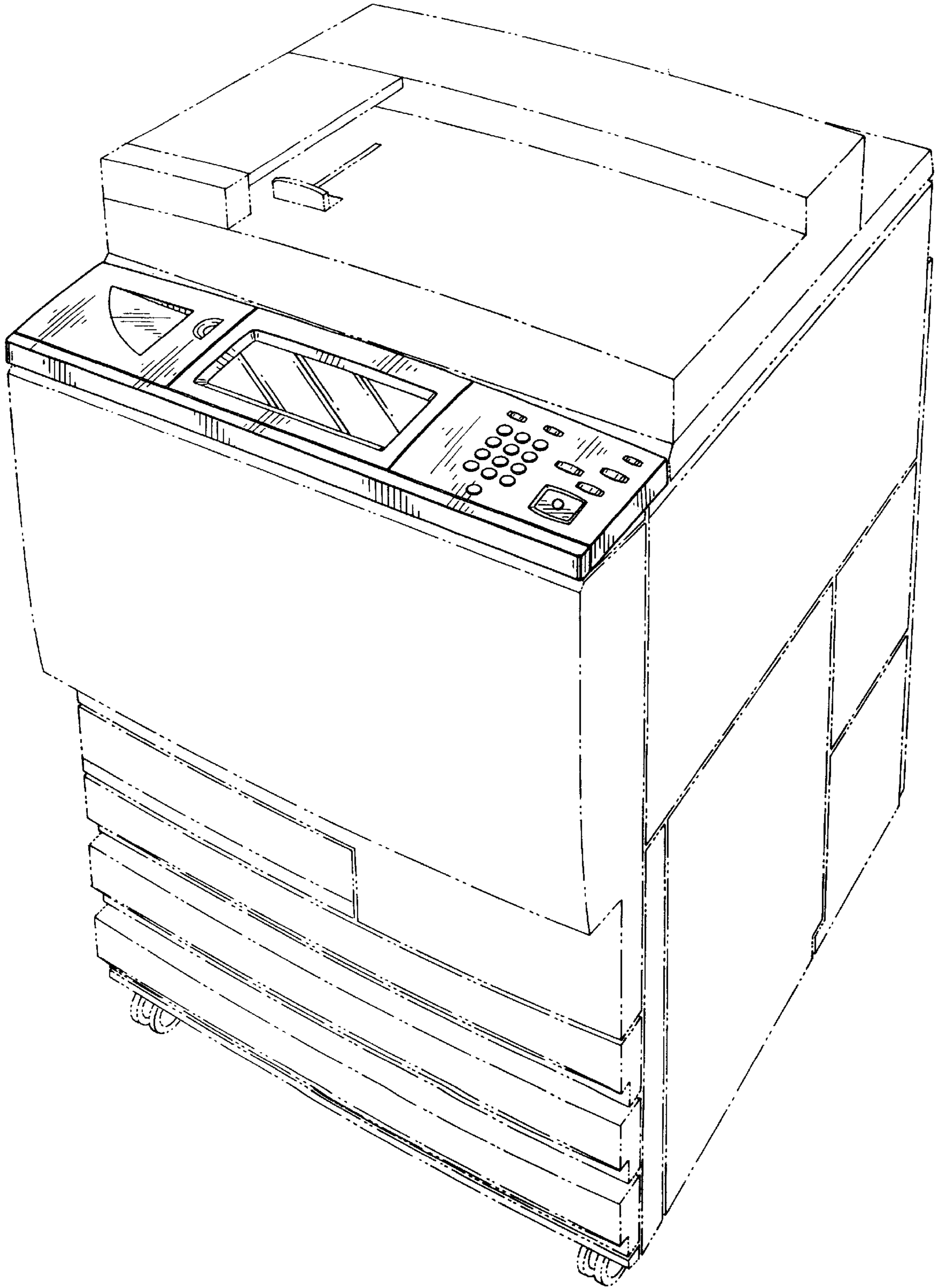


FIG. 2

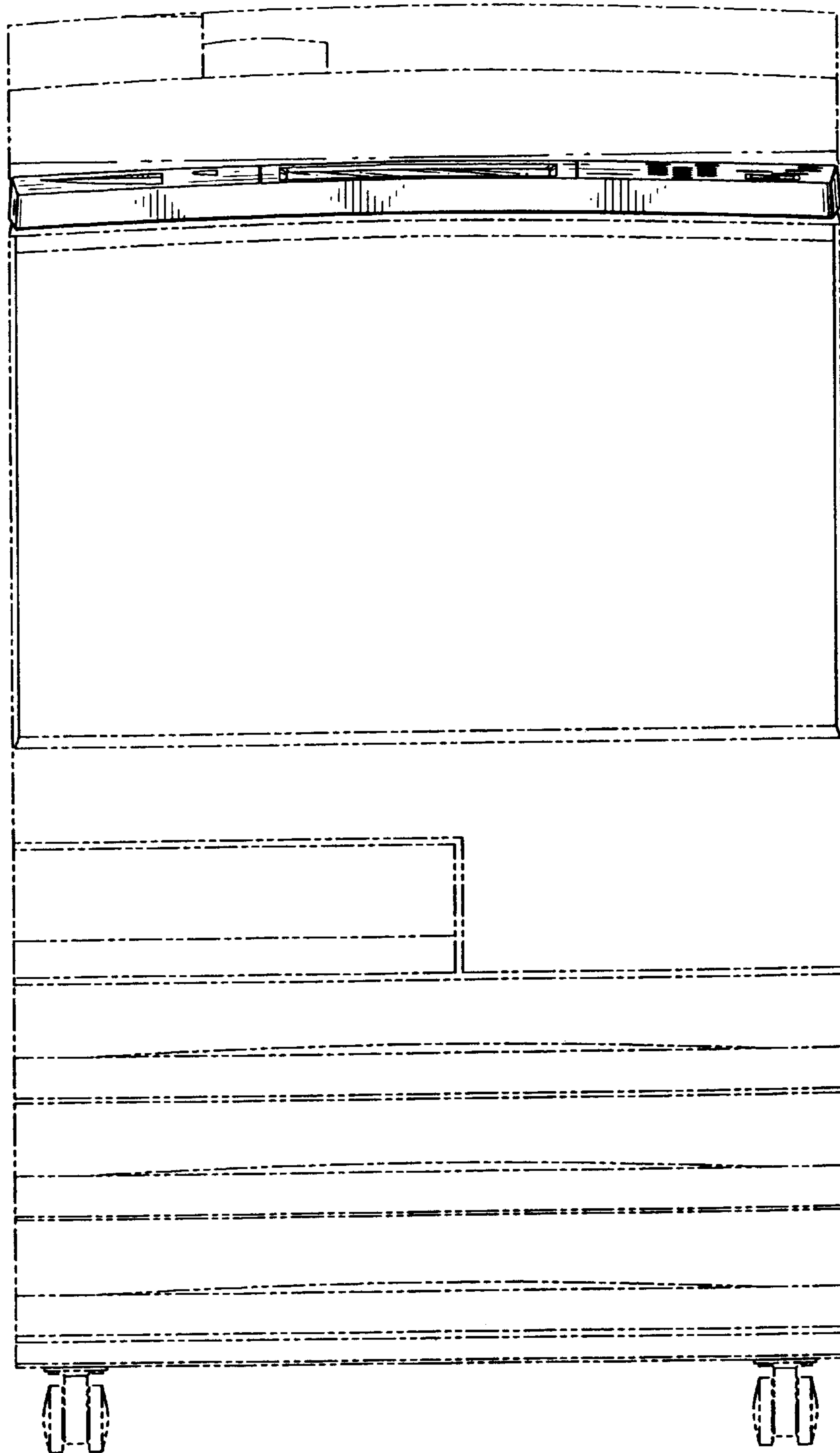


FIG. 3

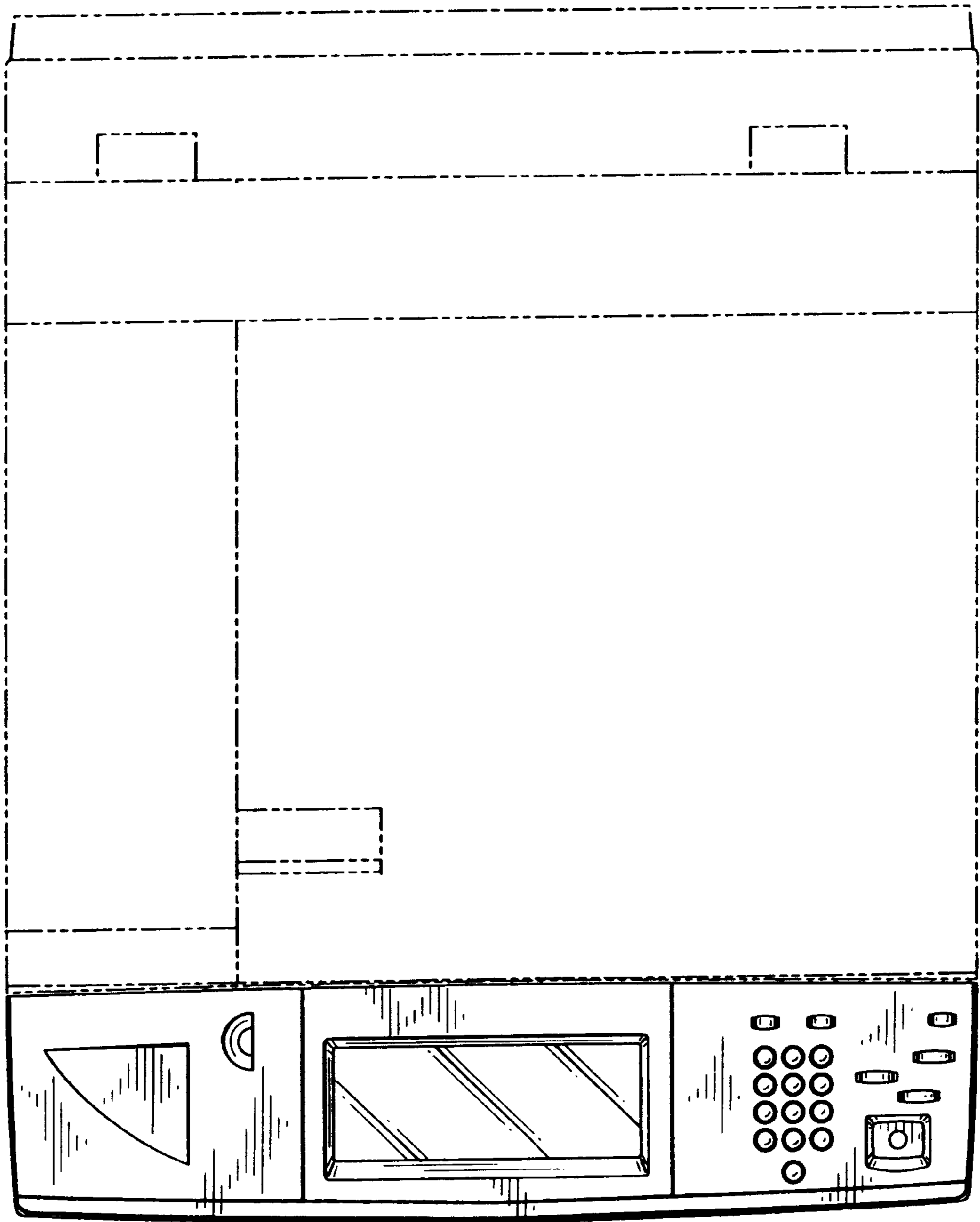


FIG. 4

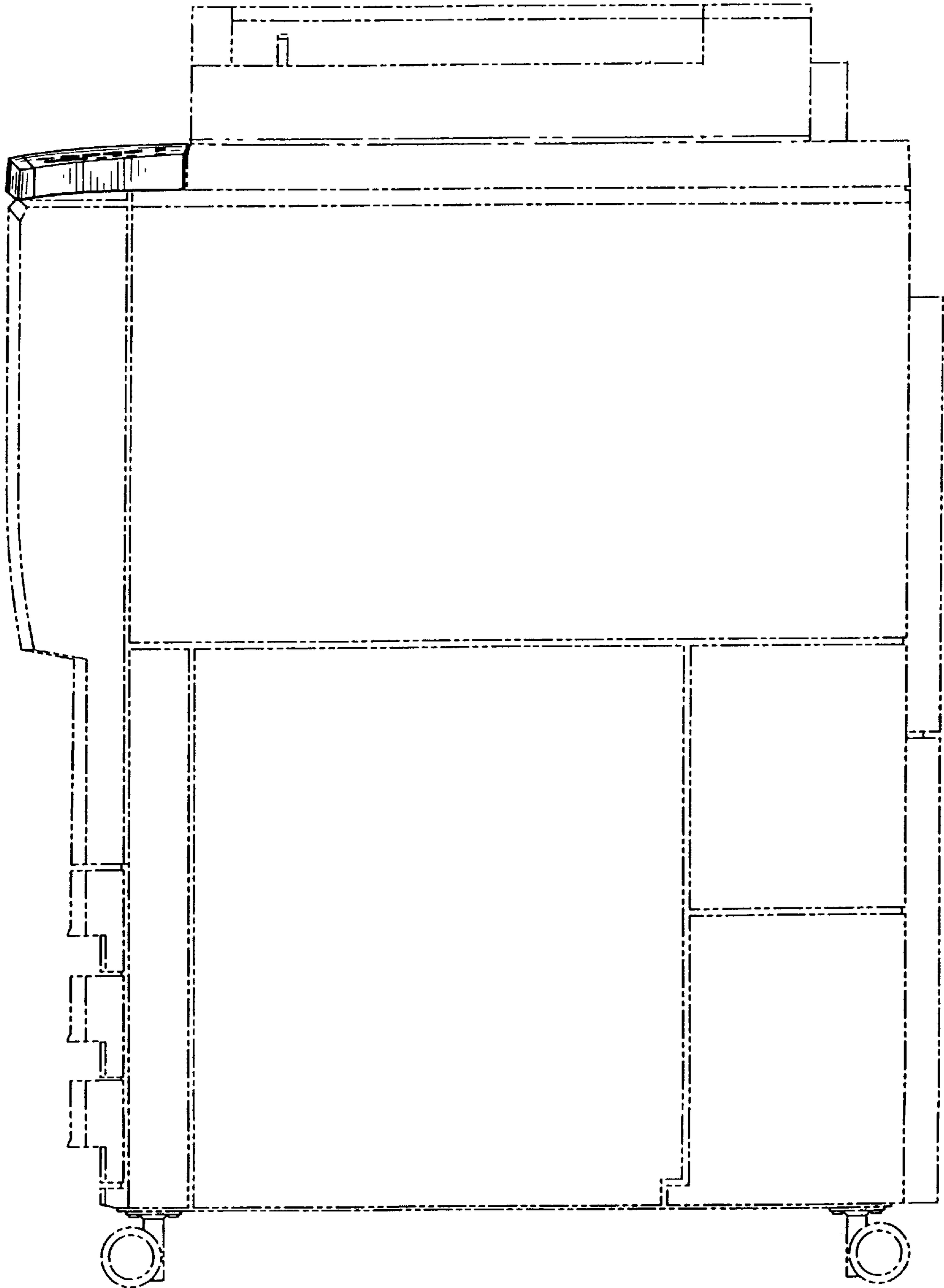


FIG. 5

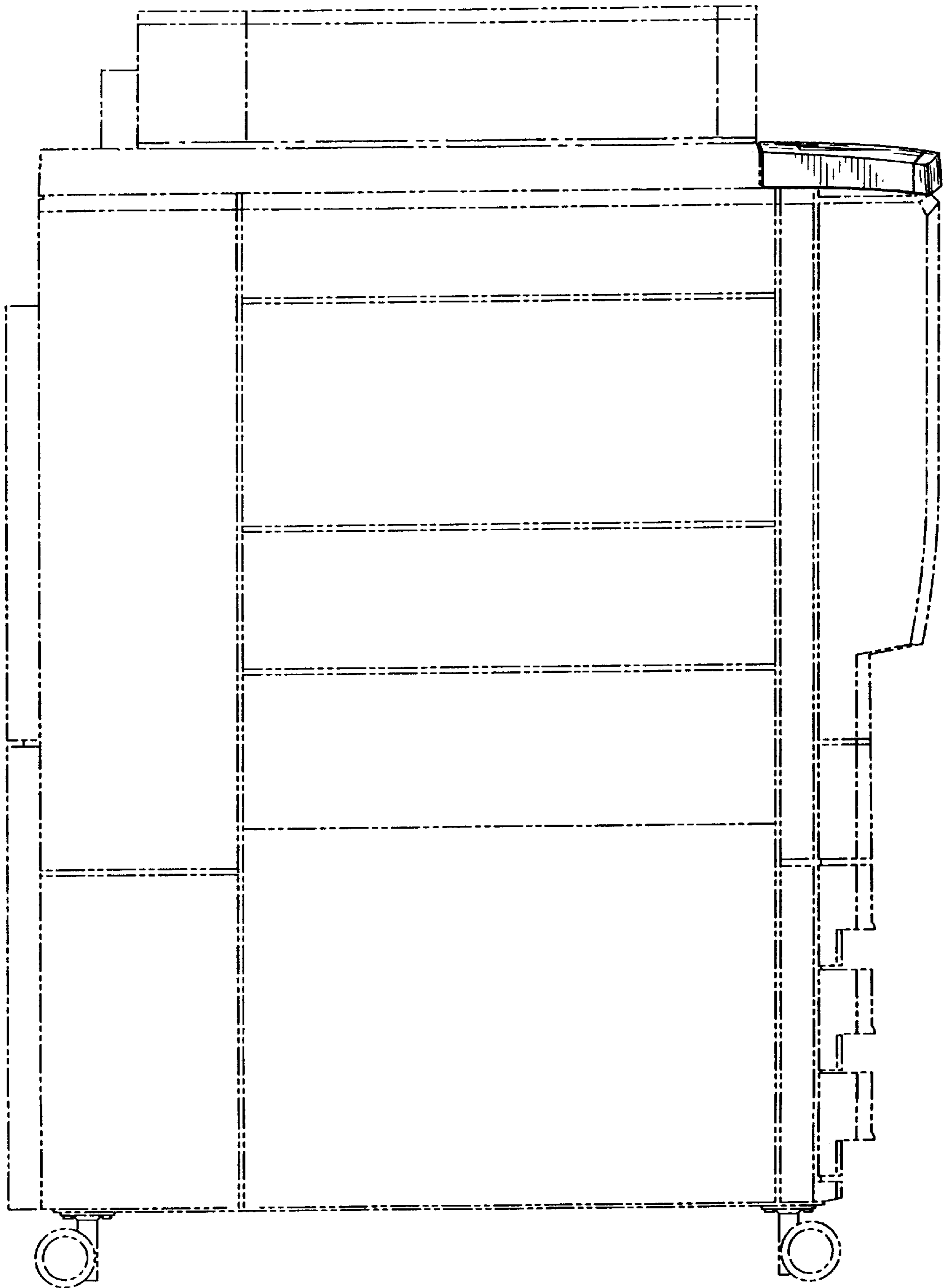


FIG. 6

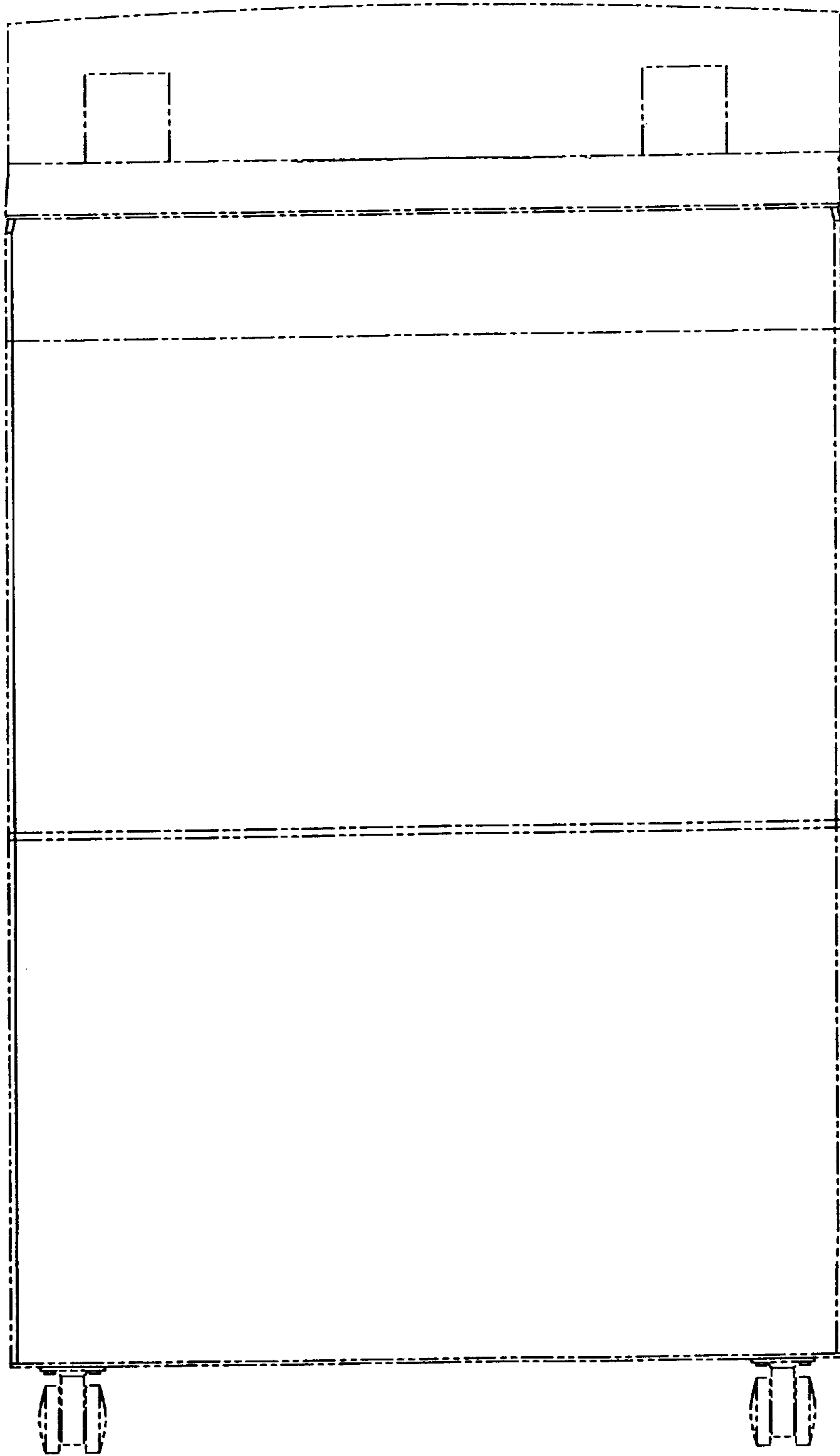


FIG. 7

