



US00D431593S

United States Patent [19] Gumbe

[11] Patent Number: **Des. 431,593**

[45] Date of Patent: **** Oct. 3, 2000**

[54] **SUPPLY UNIT FOR SUPPLYING A DEVELOPER FOR A COPYING MACHINE**

D. 307,767 5/1990 Tsumuro D18/43
D. 329,659 9/1992 Mizukami et al. D18/43
D. 400,915 11/1998 Nomura et al. D18/40

[75] Inventor: **Eiji Gumbe**, Kawasaki, Japan

[73] Assignee: **Toshiba Tec Kabushiki Kaisha**, Tokyo, Japan

Primary Examiner—Caron D. Veynar
Attorney, Agent, or Firm—Oblon, Spivak, McClelland, Maier & Neustadt, P.C.

[**] Term: **14 Years**

[57] **CLAIM**

[21] Appl. No.: **29/114,151**

The ornamental design for a supply unit for supplying a developer for a copying machine, as shown.

[22] Filed: **Nov. 19, 1999**

DESCRIPTION

[30] **Foreign Application Priority Data**

May 20, 1999 [JP] Japan 11-13109

FIG. 1 is a front, top and right side perspective view of a supply unit for supplying a developer for a copying machine, showing my new design;

[51] **LOC (7) Cl.** **16-03**

FIG. 2 is a top plan view thereof;

[52] **U.S. Cl.** **D18/40**

FIG. 3 is a front elevational view thereof;

[58] **Field of Search** D18/36, 40, 43,
D18/56; 399/24, 25, 27, 28, 110, 111, 119,
222, 252, 262; 222/DIG. 1

FIG. 4 is a right side elevational view thereof;

FIG. 5 is a left side elevational view thereof;

FIG. 6 is a rear elevational view thereof; and,

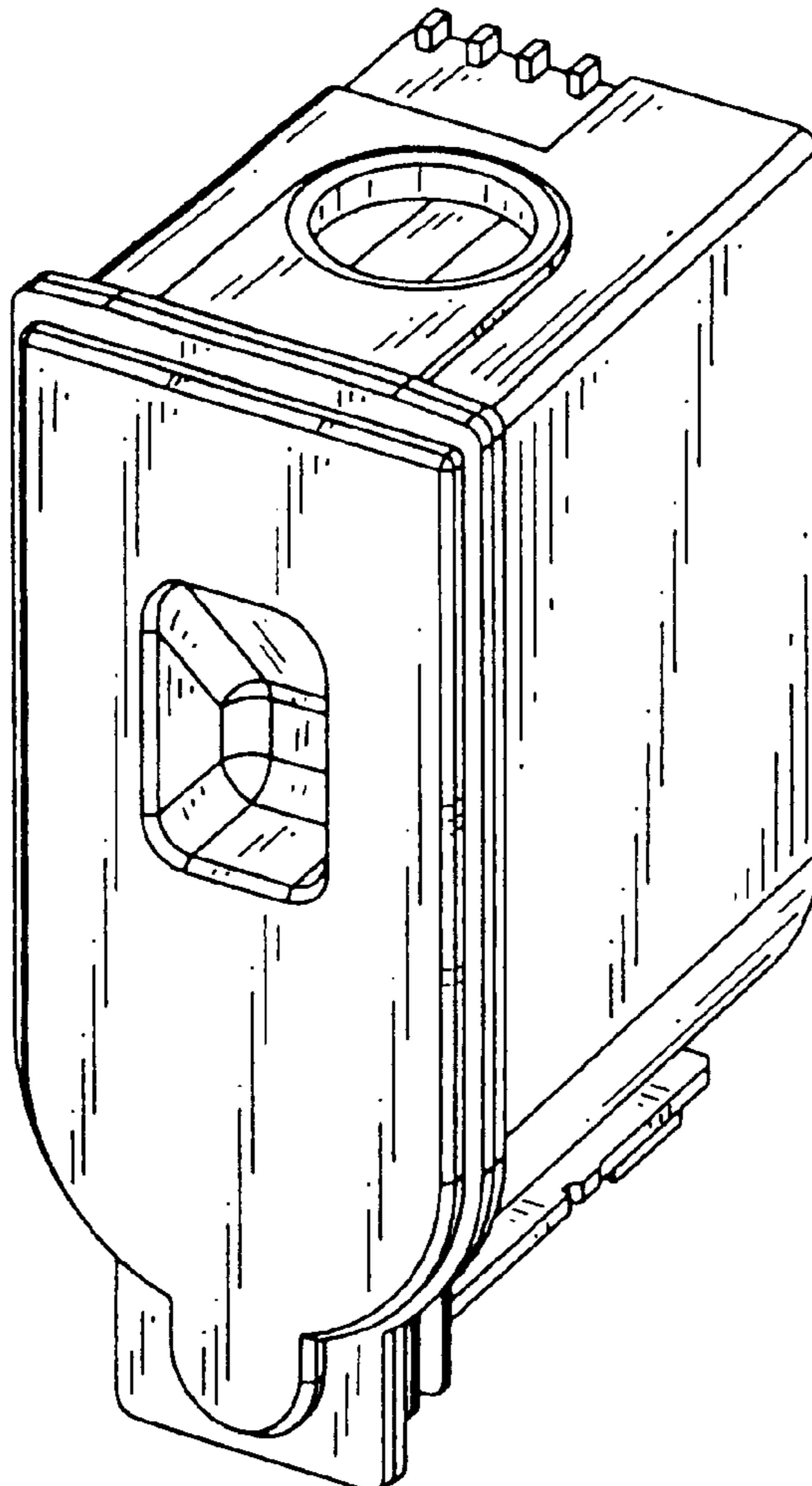
FIG. 7 is a bottom plan view thereof.

[56] **References Cited**

U.S. PATENT DOCUMENTS

D. 248,277 6/1978 Hartman et al. D18/43

1 Claim, 2 Drawing Sheets



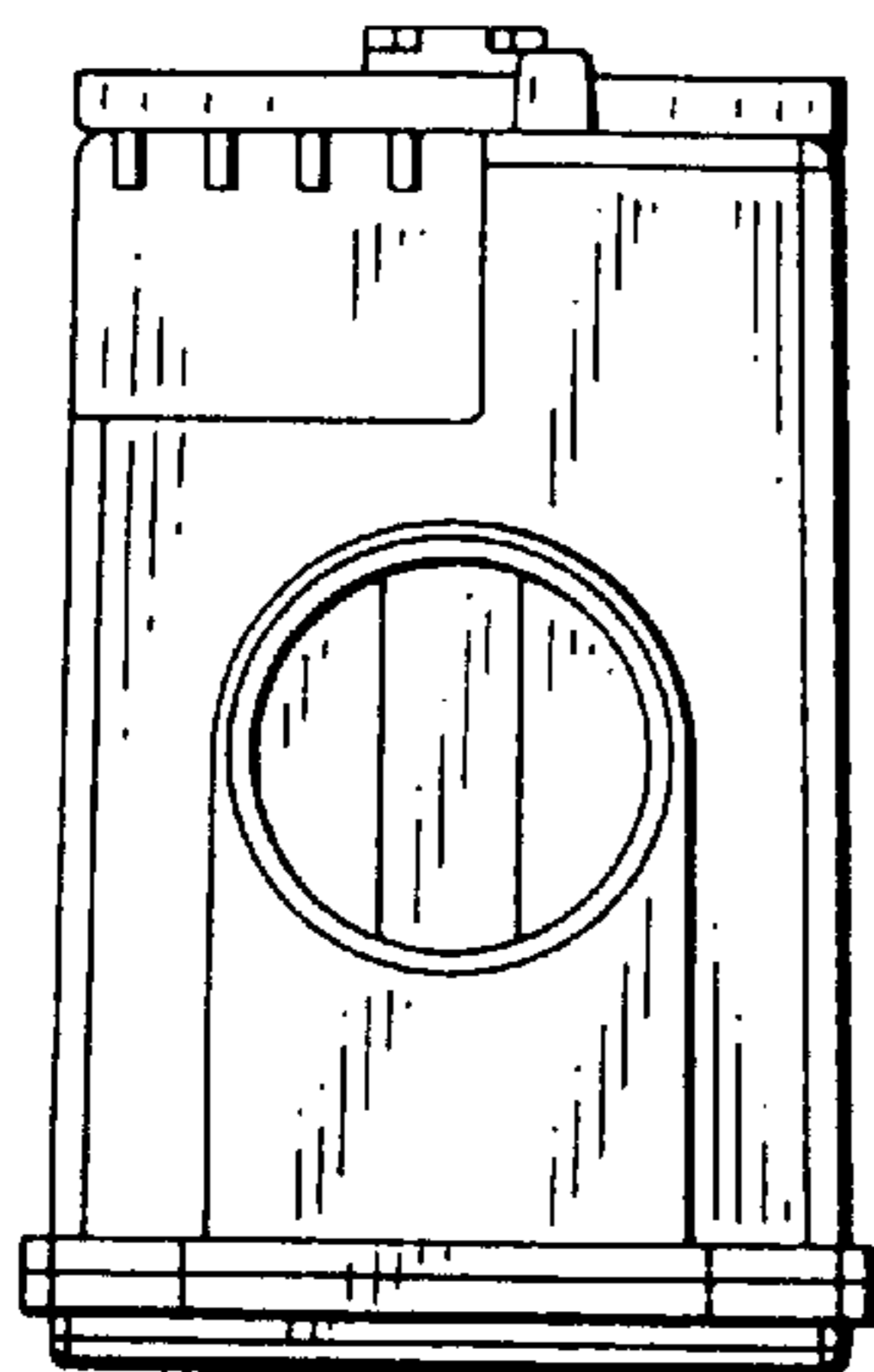


Fig. 2

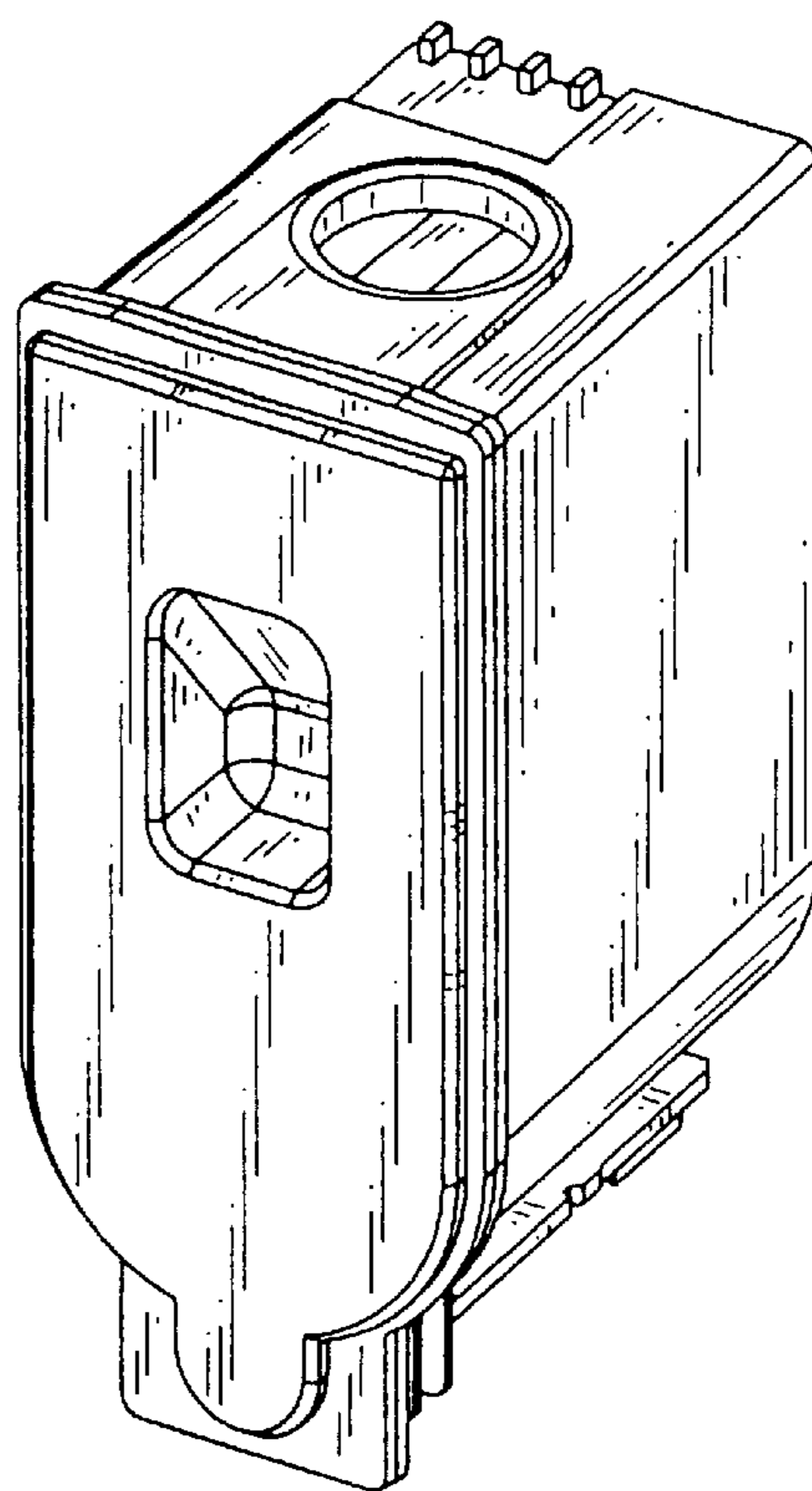


Fig. 1

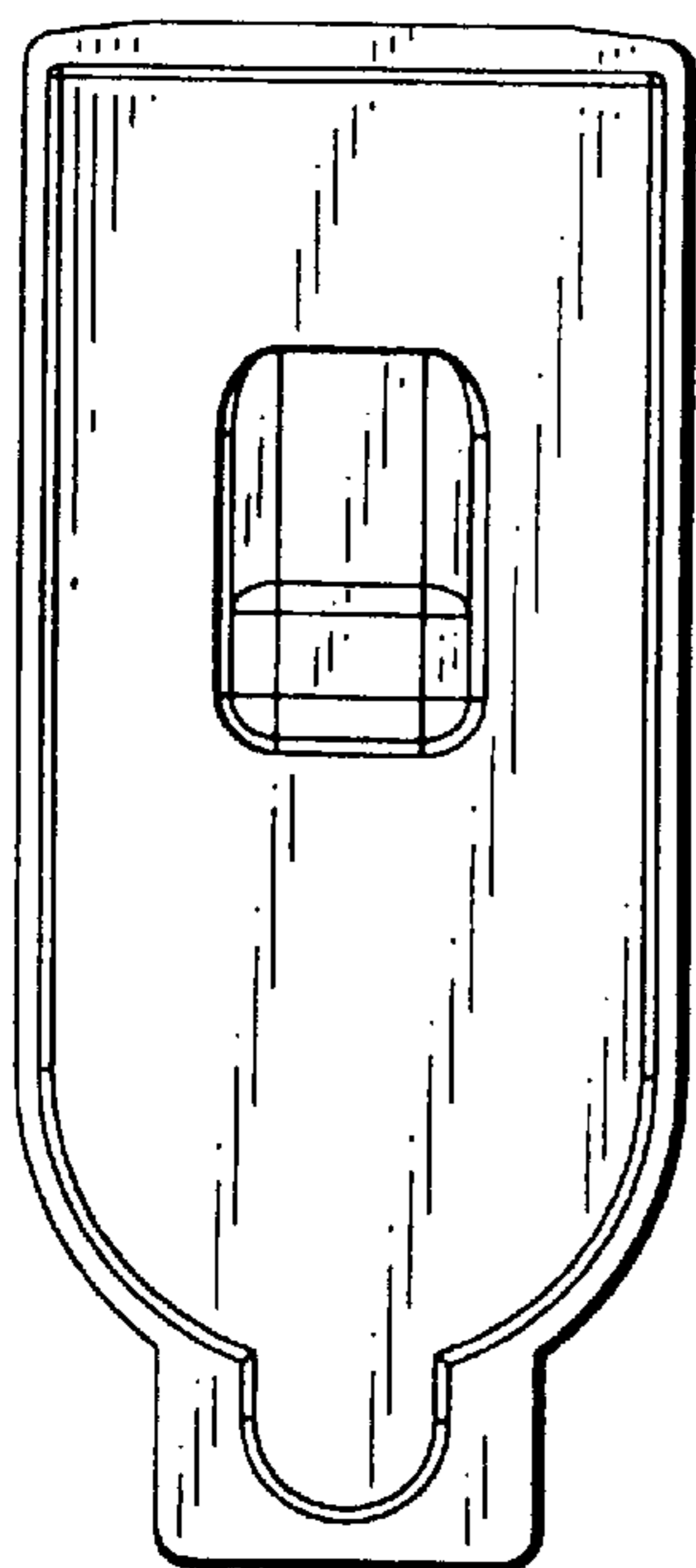


Fig. 3

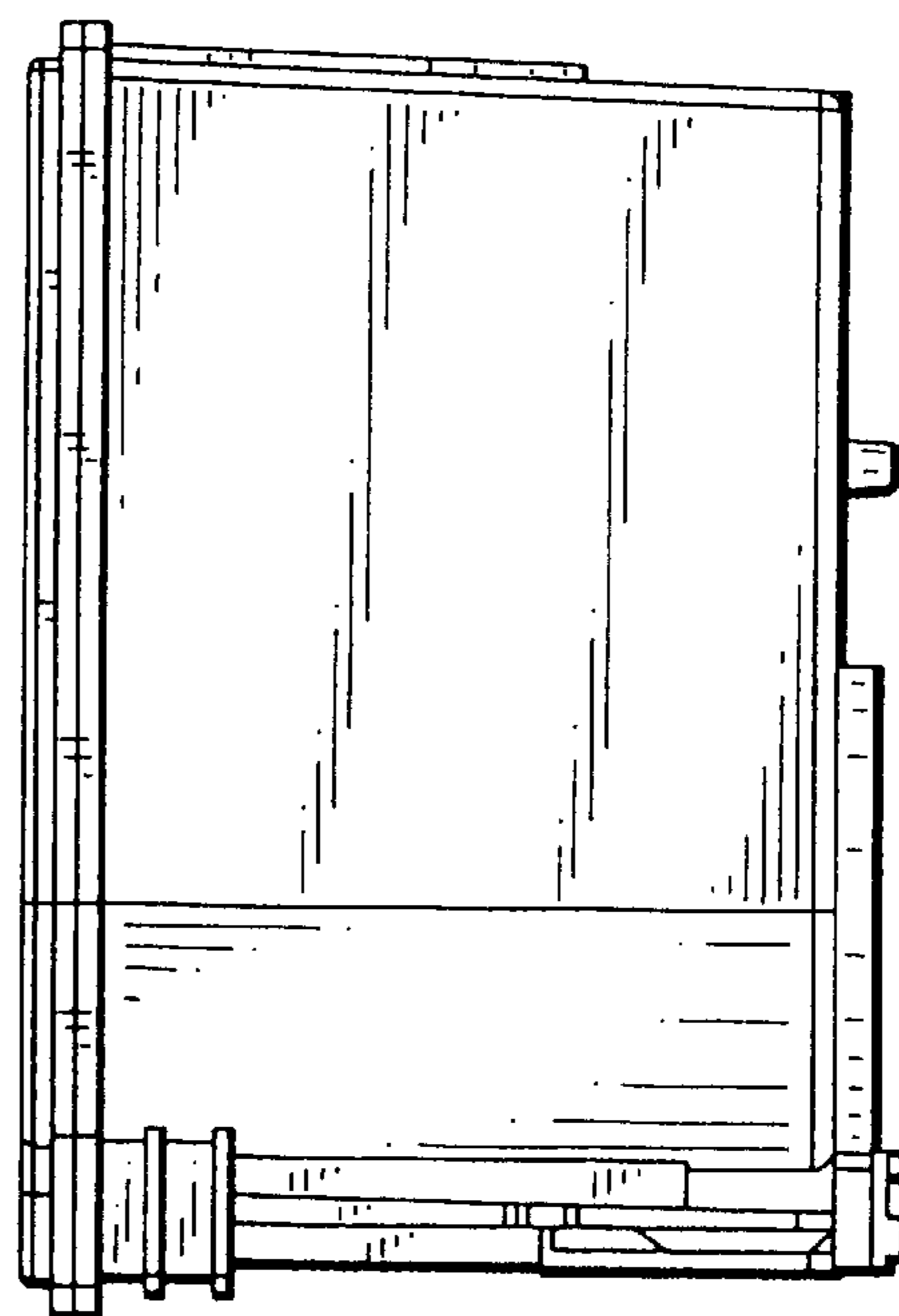


Fig. 4

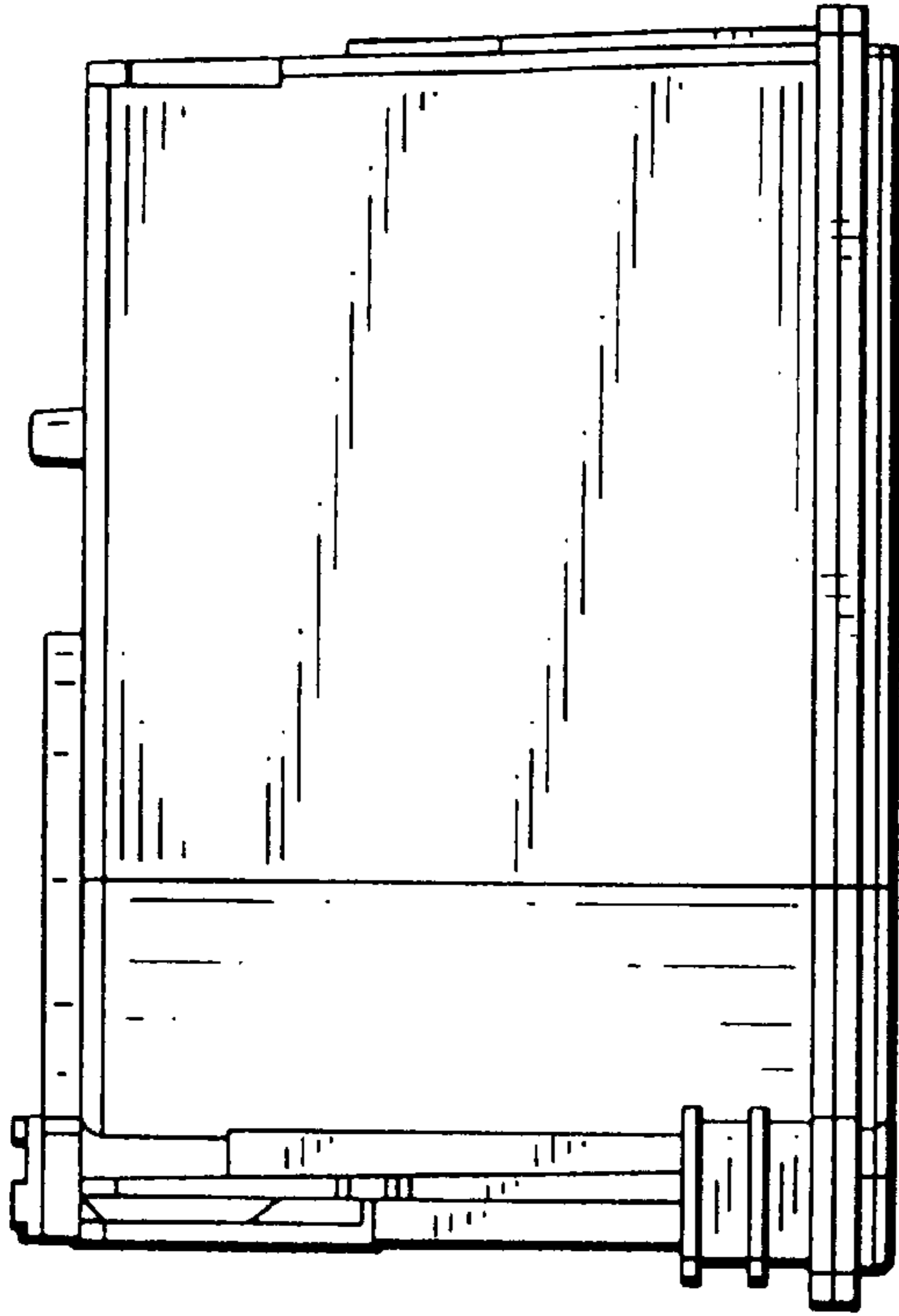


Fig. 5

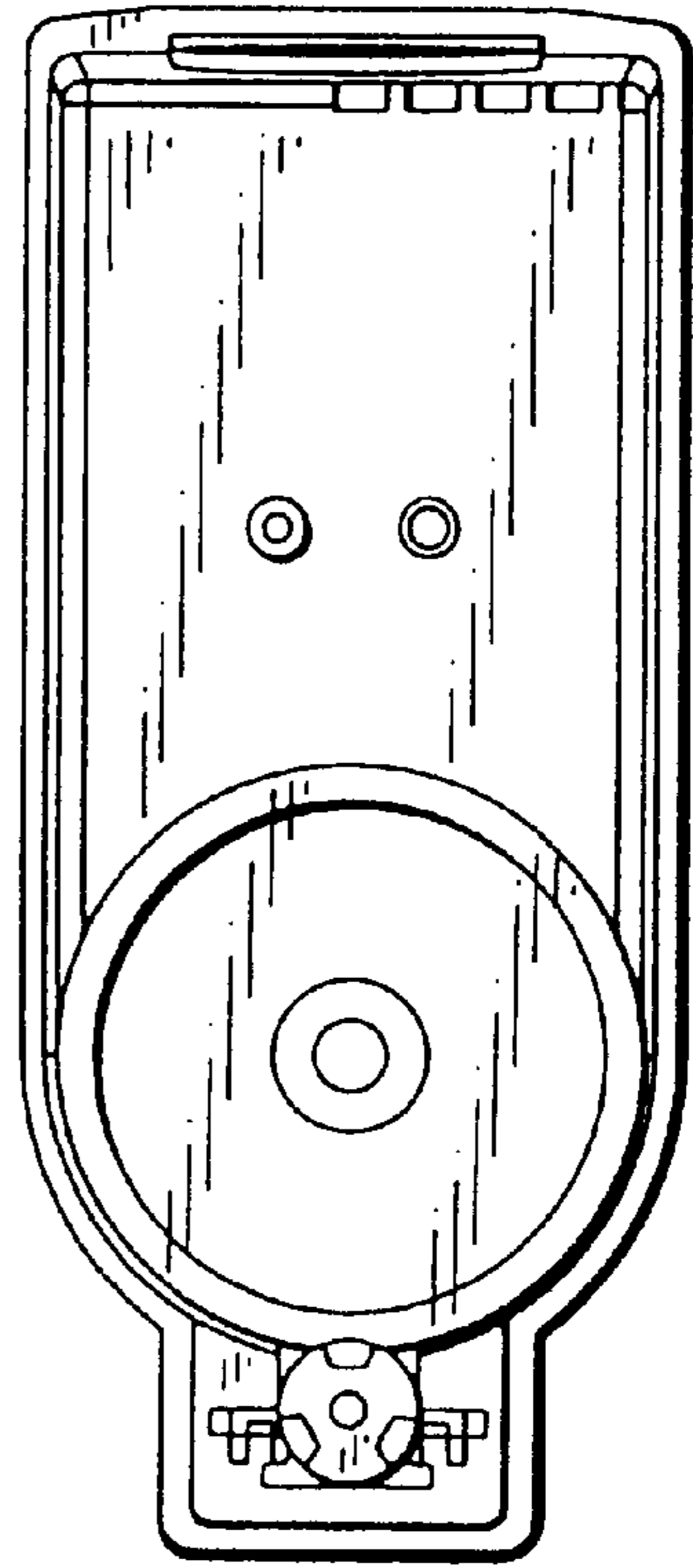


Fig. 6

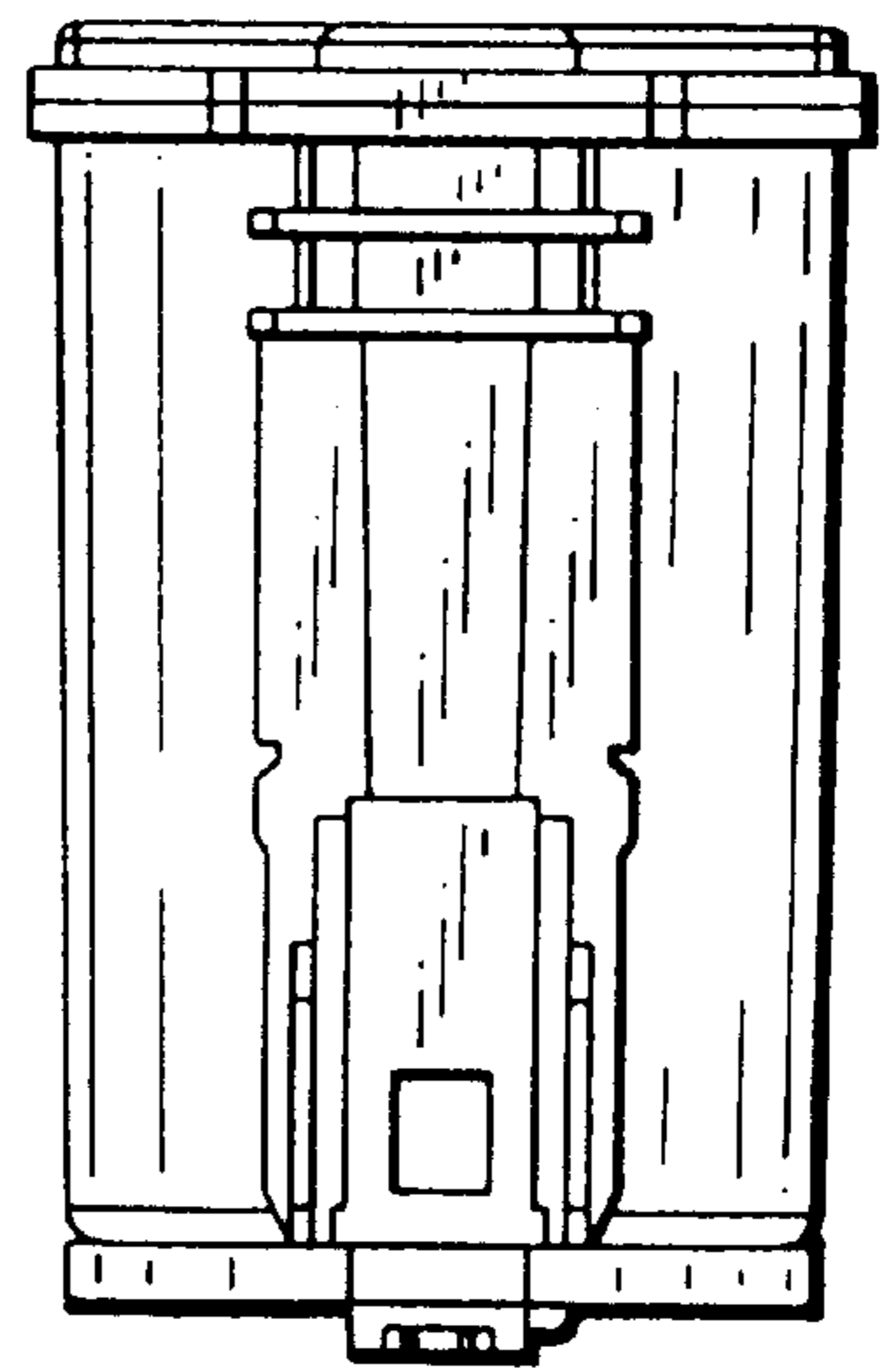


Fig. 7