



US00D431592S

United States Patent [19]

Takenouchi et al.

[11] Patent Number: **Des. 431,592**

[45] Date of Patent: **** Oct. 3, 2000**

[54] **ELECTRONIC COPYING MACHINE**

[75] Inventors: **Masaaki Takenouchi; Rie Takada; Hiroshi Nakada**, all of Yokohama, Japan; **William T. Clark**, Rochester, N.Y.

[73] Assignee: **Fuji Xerox Co., Ltd.**, Tokyo, Japan

[**] Term: **14 Years**

[21] Appl. No.: **29/108,760**

[22] Filed: **Aug. 4, 1999**

[30] **Foreign Application Priority Data**

Feb. 9, 1999 [JP] Japan 11-2778

[51] **LOC (7) Cl.** **16-03**

[52] **U.S. Cl.** **D18/39**

[58] **Field of Search** D18/36-39; 399/1, 399/3, 151; 355/400

[56] **References Cited**

U.S. PATENT DOCUMENTS

D. 331,595 12/1992 Ishida D18/38

- D. 339,370 9/1993 Sugihara et al. D18/39
- D. 358,412 5/1995 Momose et al. D18/39
- D. 362,457 9/1995 Shimizu D18/39
- D. 384,692 10/1997 Takenouchi D18/39

Primary Examiner—Caron D. Veynar
Attorney, Agent, or Firm—Oliff & Berridge, PLC

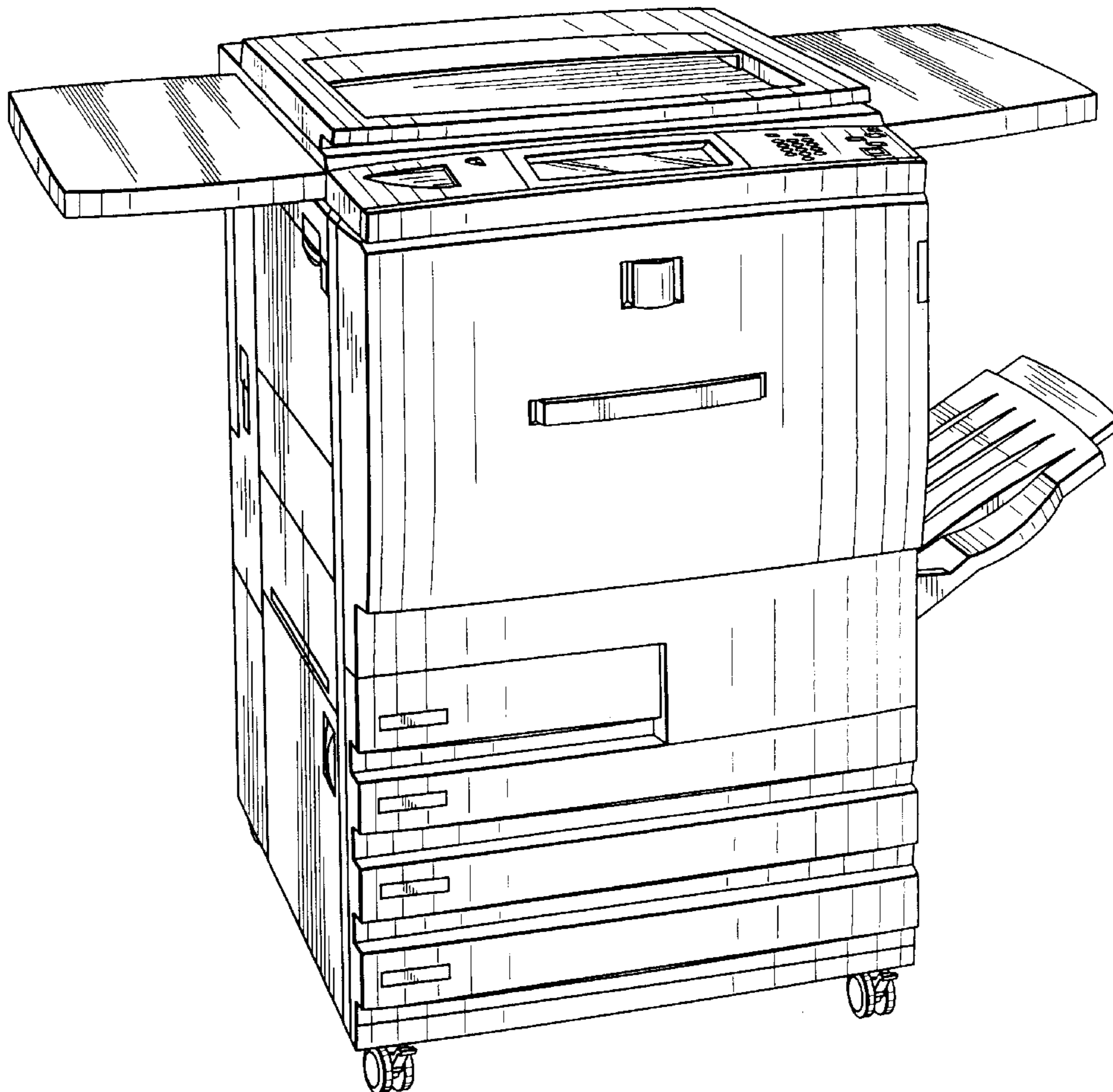
[57] **CLAIM**

The ornamental design for an electronic copying machine, as shown and described.

DESCRIPTION

FIG. 1 is a perspective view of the top, front and left side of an electronic copying machine showing our new design; FIG. 2 is a front view thereof; FIG. 3 is a top plan view thereof; FIG. 4 is a right side view thereof; FIG. 5 is a left side view thereof; FIG. 6 is a rear view thereof; and, FIG. 7 is a bottom view thereof.

1 Claim, 7 Drawing Sheets



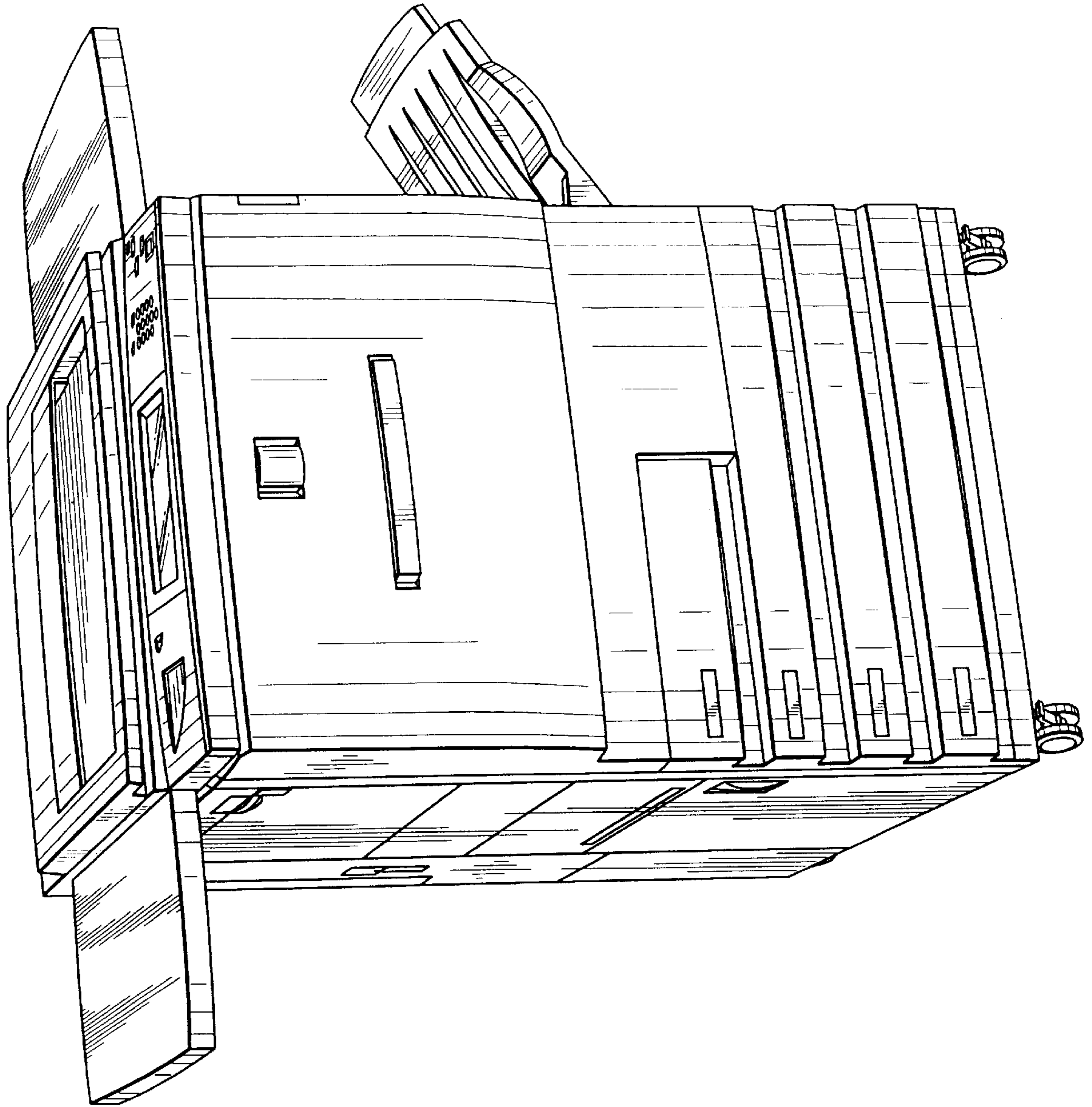


FIG. 1

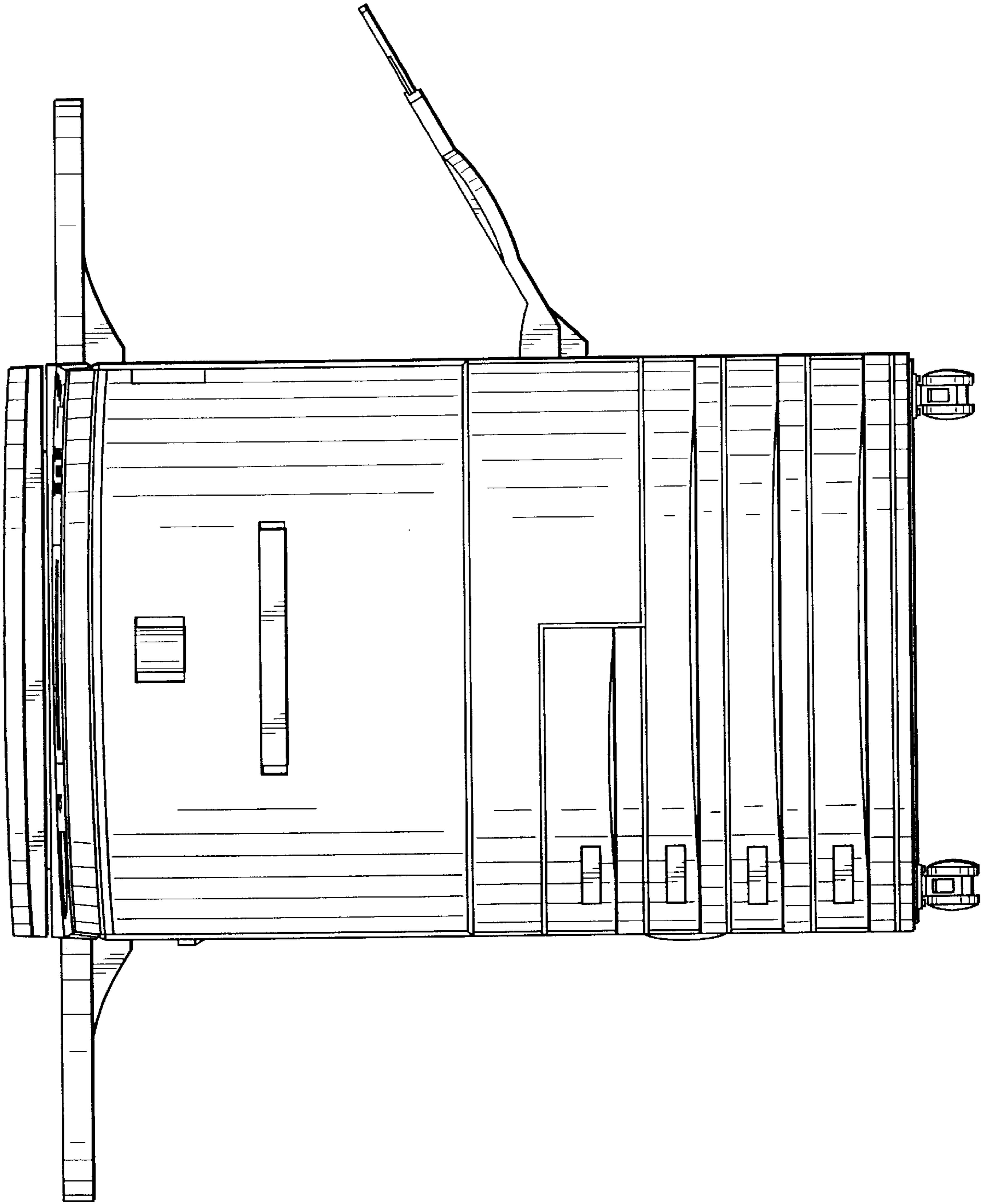


FIG. 2

FIG. 3

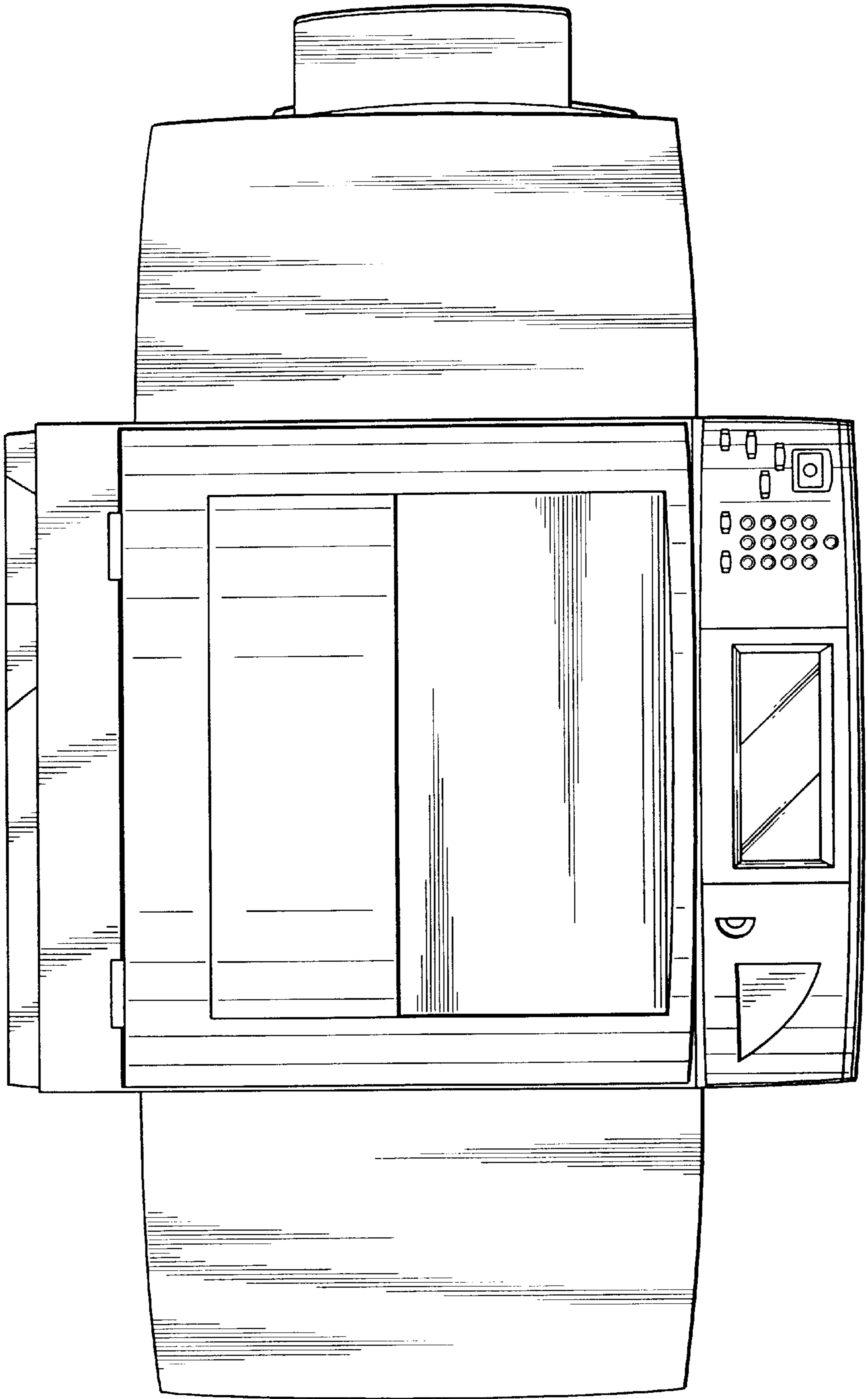
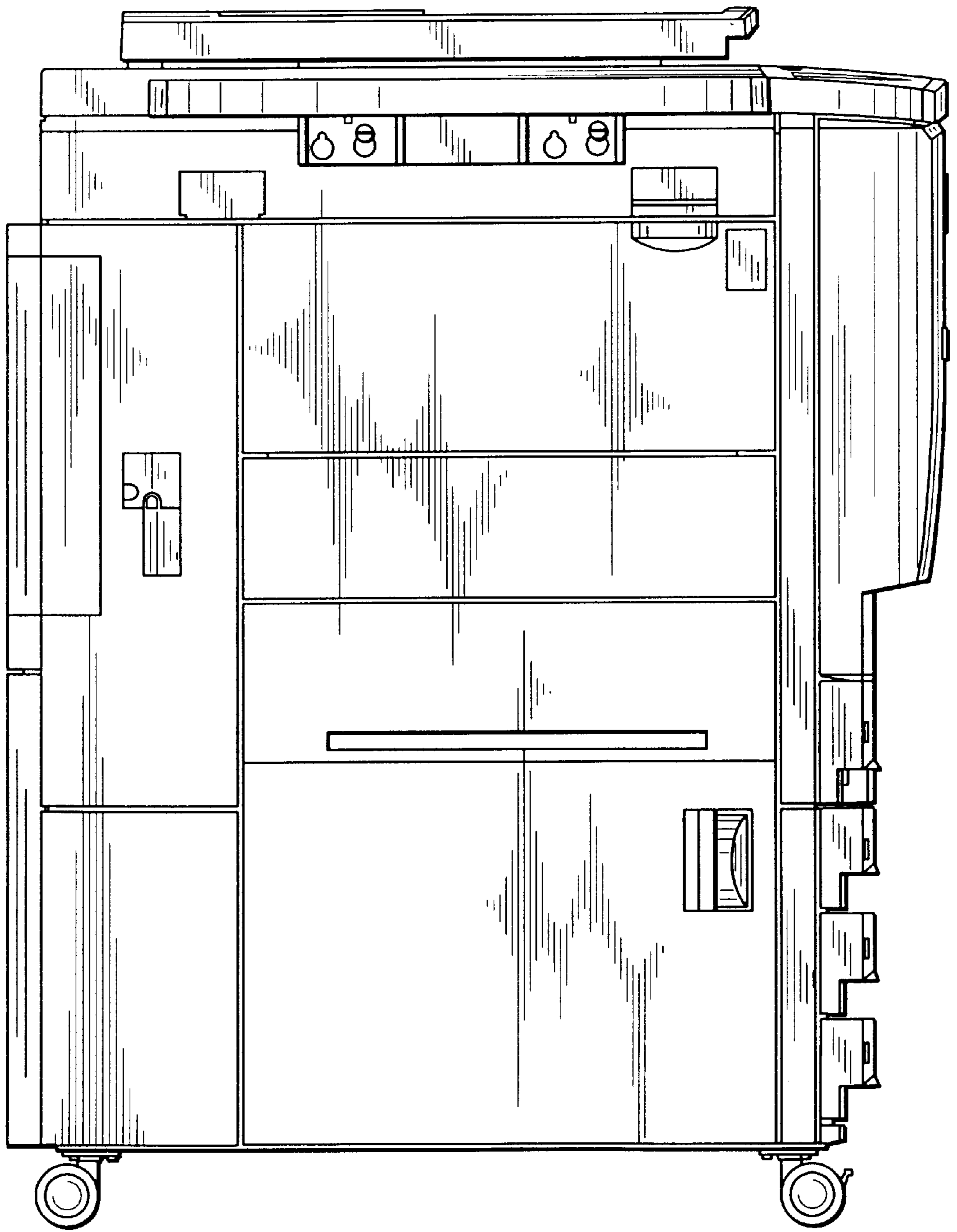


FIG. 4



FIG. 5



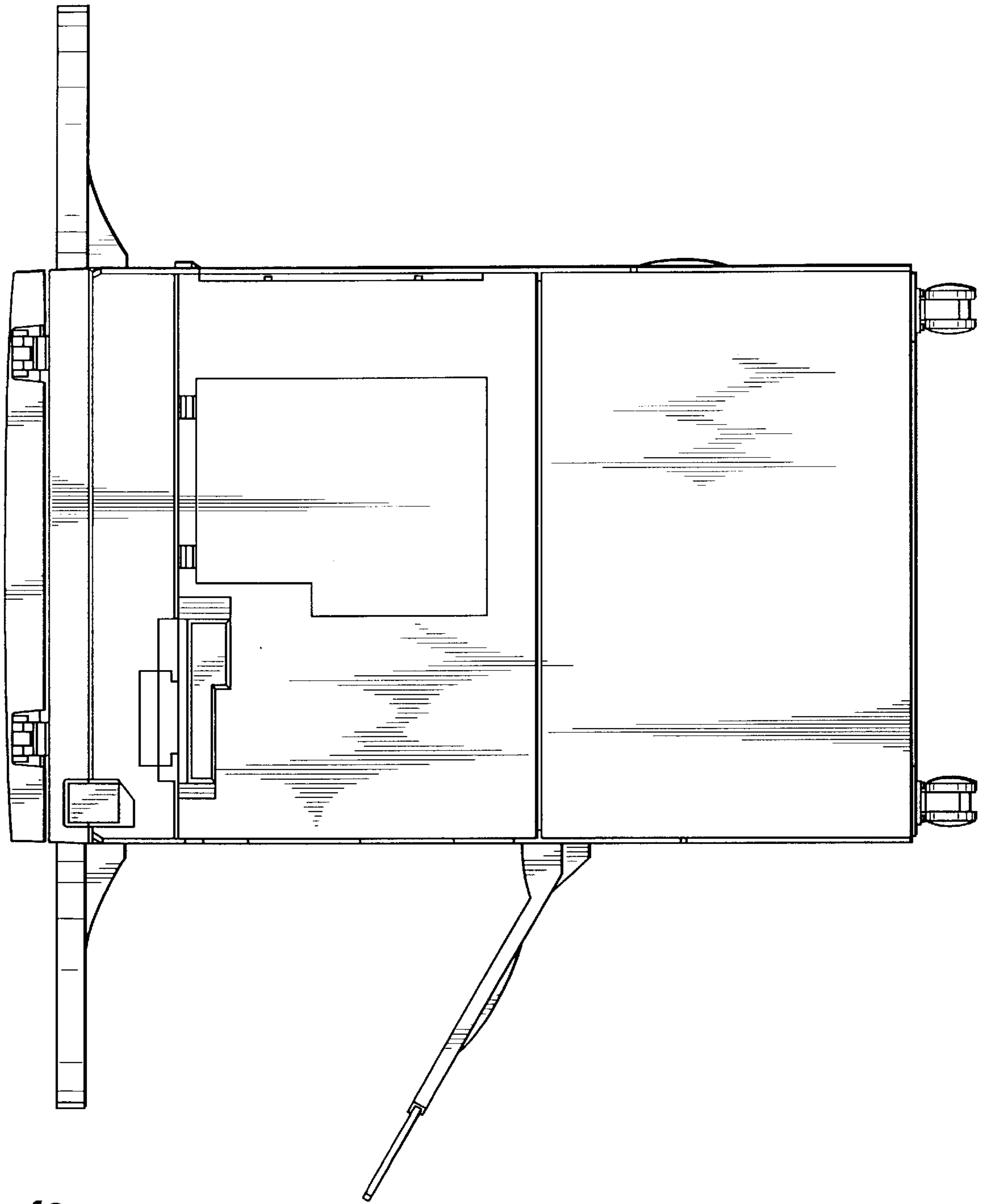


FIG. 6

FIG. 7

