



US00D431585S

United States Patent [19]

Vance et al.

[11] Patent Number: **Des. 431,585**

[45] Date of Patent: **** Oct. 3, 2000**

[54] **ENHANCED NIGHT VISION GOGGLE**

[75] Inventors: **Gary Morgan Vance**, Roanoke;
Donald John Janeczko, Fincastle;
Ronald Crofford Crabtree, Roanoke,
all of Va.

[73] Assignee: **ITT Manufacturing Enterprises, Inc.**,
Wilmington, Del.

[**] Term: **14 Years**

[21] Appl. No.: **29/098,243**

[22] Filed: **Dec. 22, 1998**

[51] **LOC (7) Cl.** **16-06**

[52] **U.S. Cl.** **D16/312; D16/300; D16/309**

[58] **Field of Search** **D16/100, 300-314,**
D16/330, 130; 2/426; 351/41, 44, 158;
359/407, 408, 409; D14/113

[56] **References Cited**

U.S. PATENT DOCUMENTS

D. 293,504	1/1988	Specht et al.	D16/312
D. 301,644	6/1989	Sestak	D16/309
D. 358,150	5/1995	Lewis, Jr. et al.	D16/300
D. 390,863	2/1998	Bennell et al.	D16/312
3,787,688	1/1974	Stone	359/409
4,970,589	11/1990	Hanson et al.	D14/113
5,371,556	12/1994	Suwa et al.	351/158
5,680,195	10/1997	Pekar et al.	351/41

5,767,932	6/1998	Gordon	351/158
5,828,437	10/1998	Hubert-Habart et al.	351/44
5,847,868	12/1998	Palmer	359/409
5,920,371	7/1999	Chang et al.	359/409
5,943,174	8/1999	Bryant et al.	359/409

Primary Examiner—Raphael Barkai
Attorney, Agent, or Firm—Pollock, Vande Sande &
Amernick

[57] **CLAIM**

The ornamental design for enhanced night vision goggle, as shown.

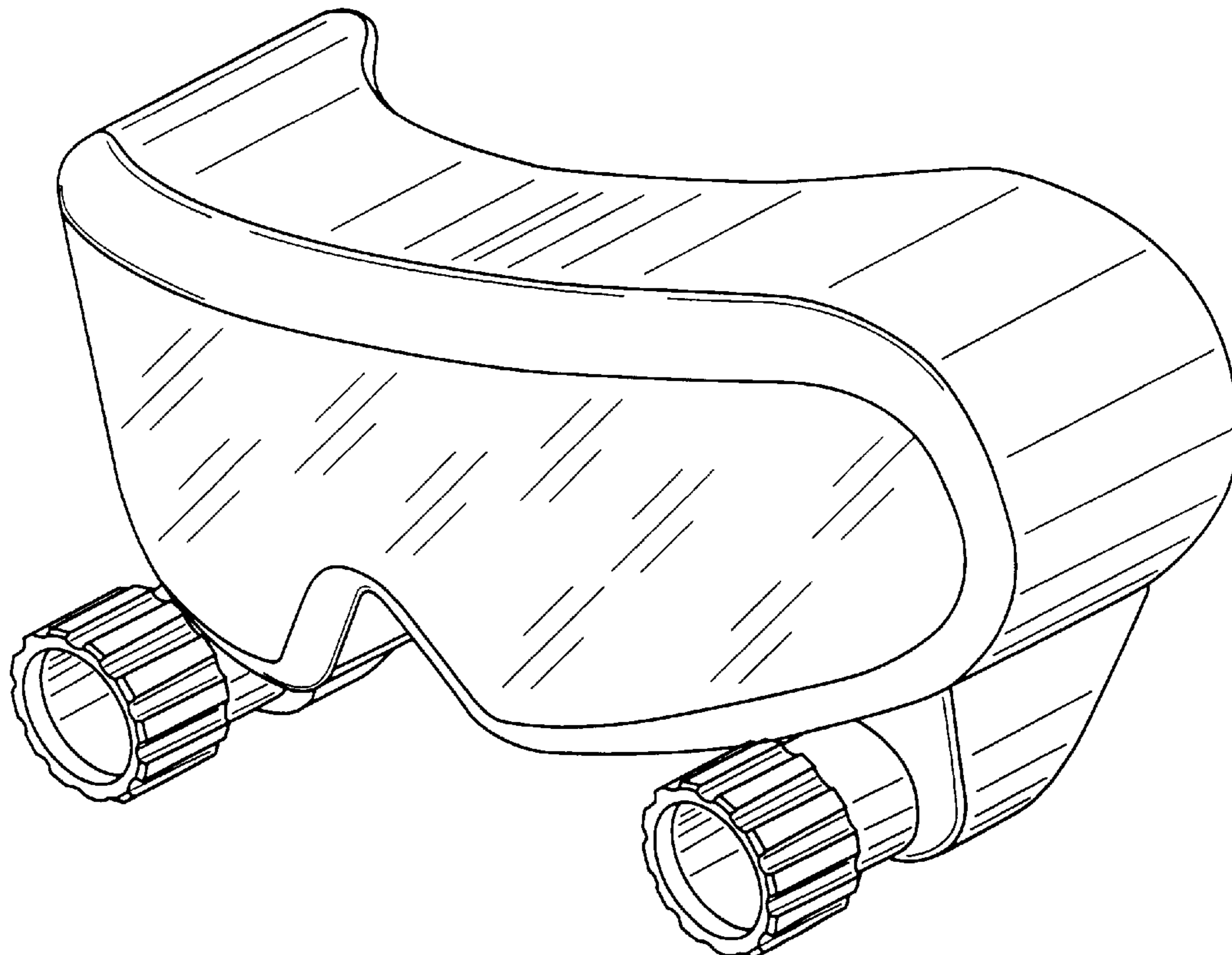
DESCRIPTION

FIG. 1 is a front view of the enhanced night vision goggle;
FIG. 2 is a rear view;
FIG. 3 is a bottom view;
FIG. 4 is a right isometric view;
FIG. 5 is a bottom isometric view;
FIG. 6 is a front isometric view;
FIG. 7 is a top view;
FIG. 8 is a right-side view; and,
FIG. 9 is a left-side view.

The surface(s) or portion(s) of the article not shown in the drawing or described in the specification form(s) no part of the claimed design.

The broken lines shown in FIGS. 1, 2 and 5 are for illustrative purposes only and form no part of the claimed design.

1 Claim, 4 Drawing Sheets



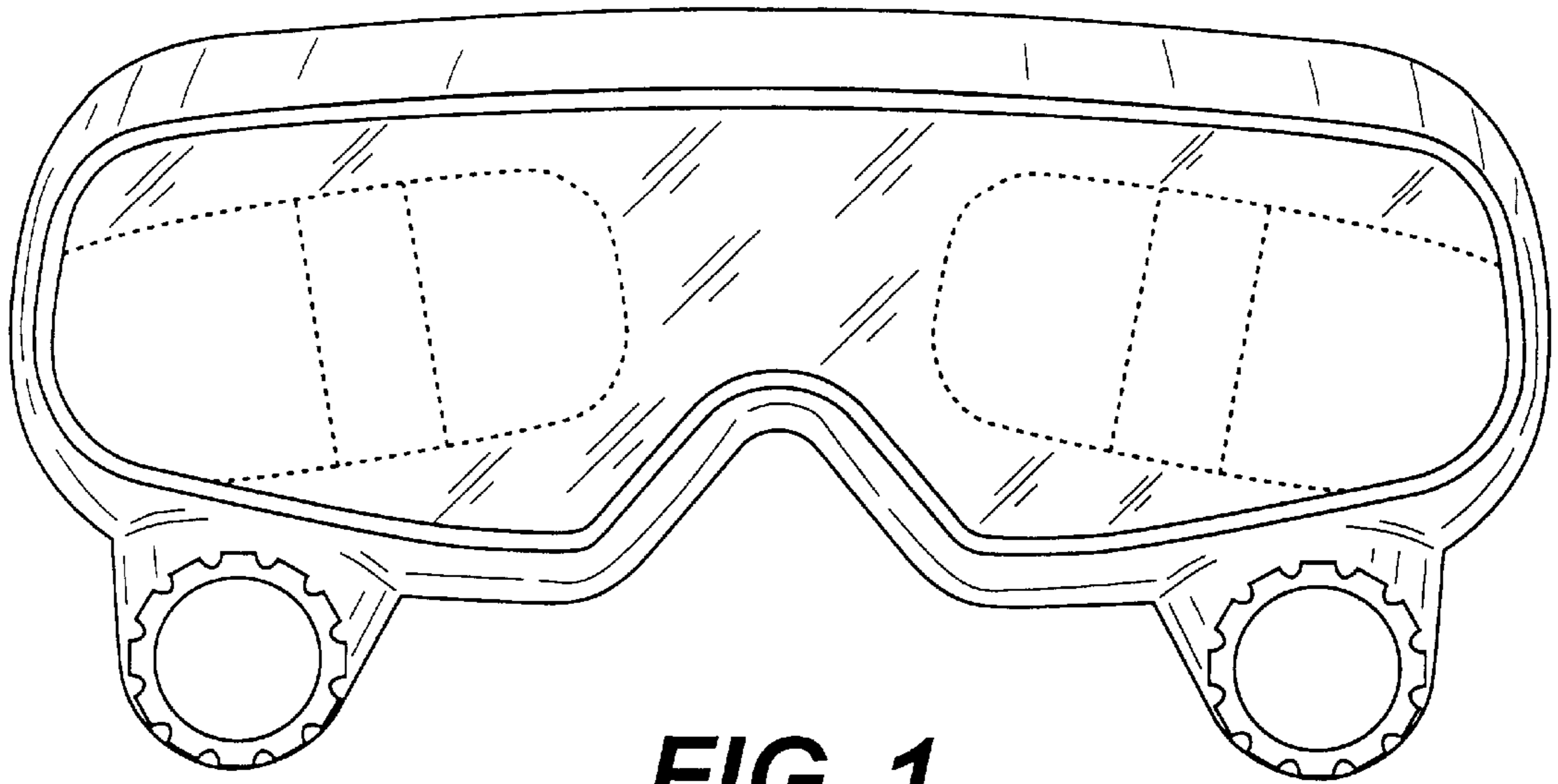


FIG. 1

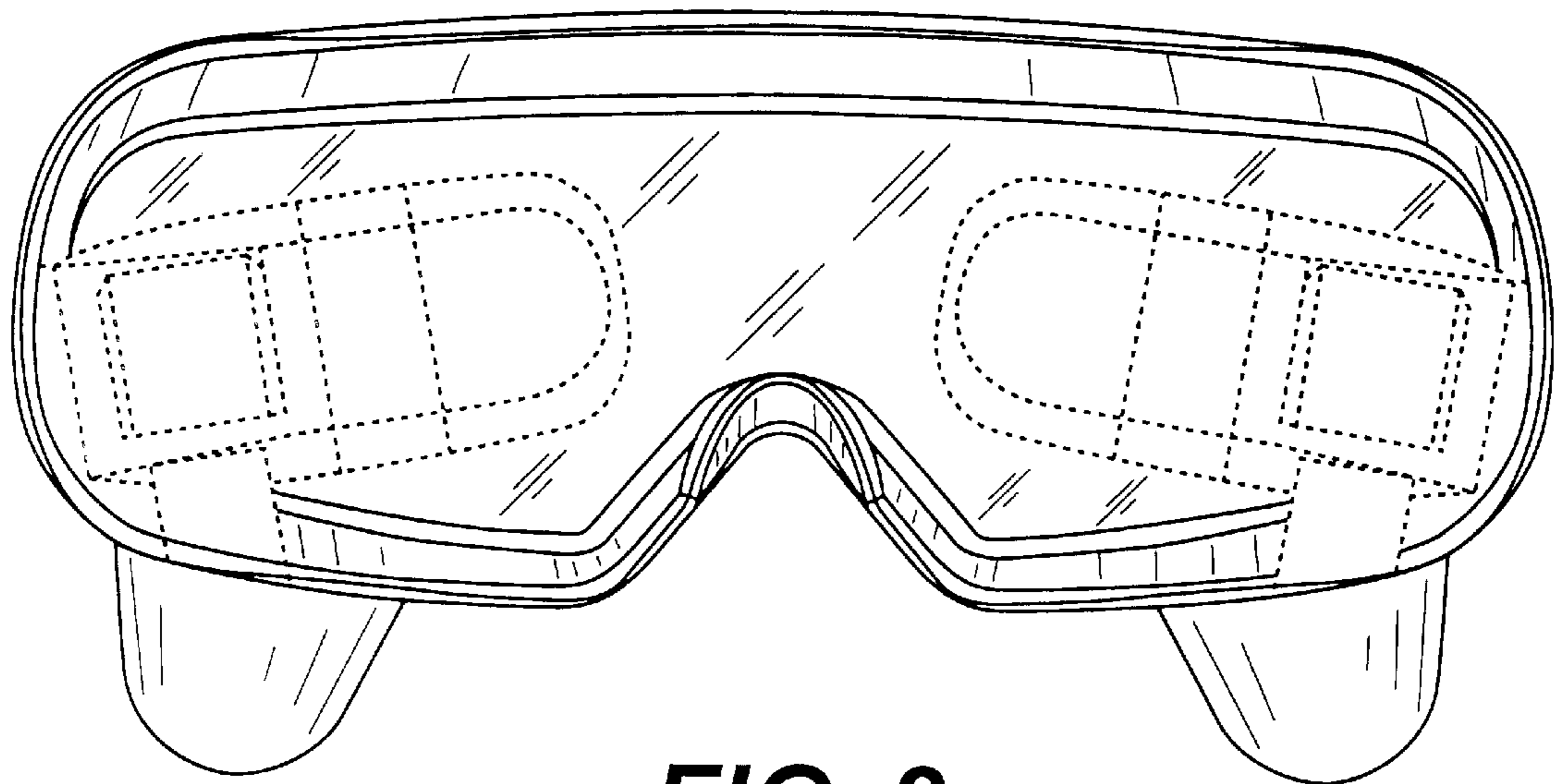


FIG. 2

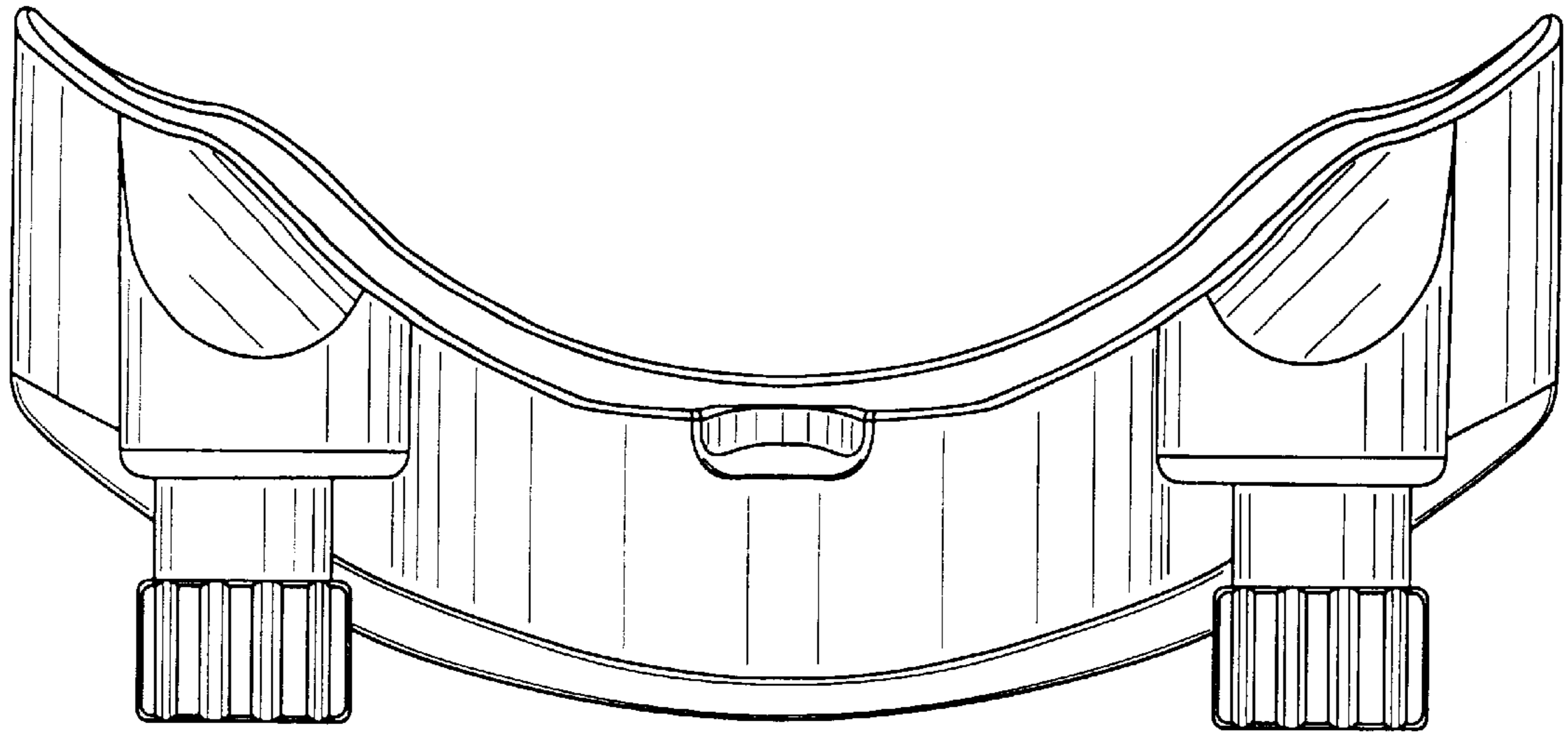


FIG. 3

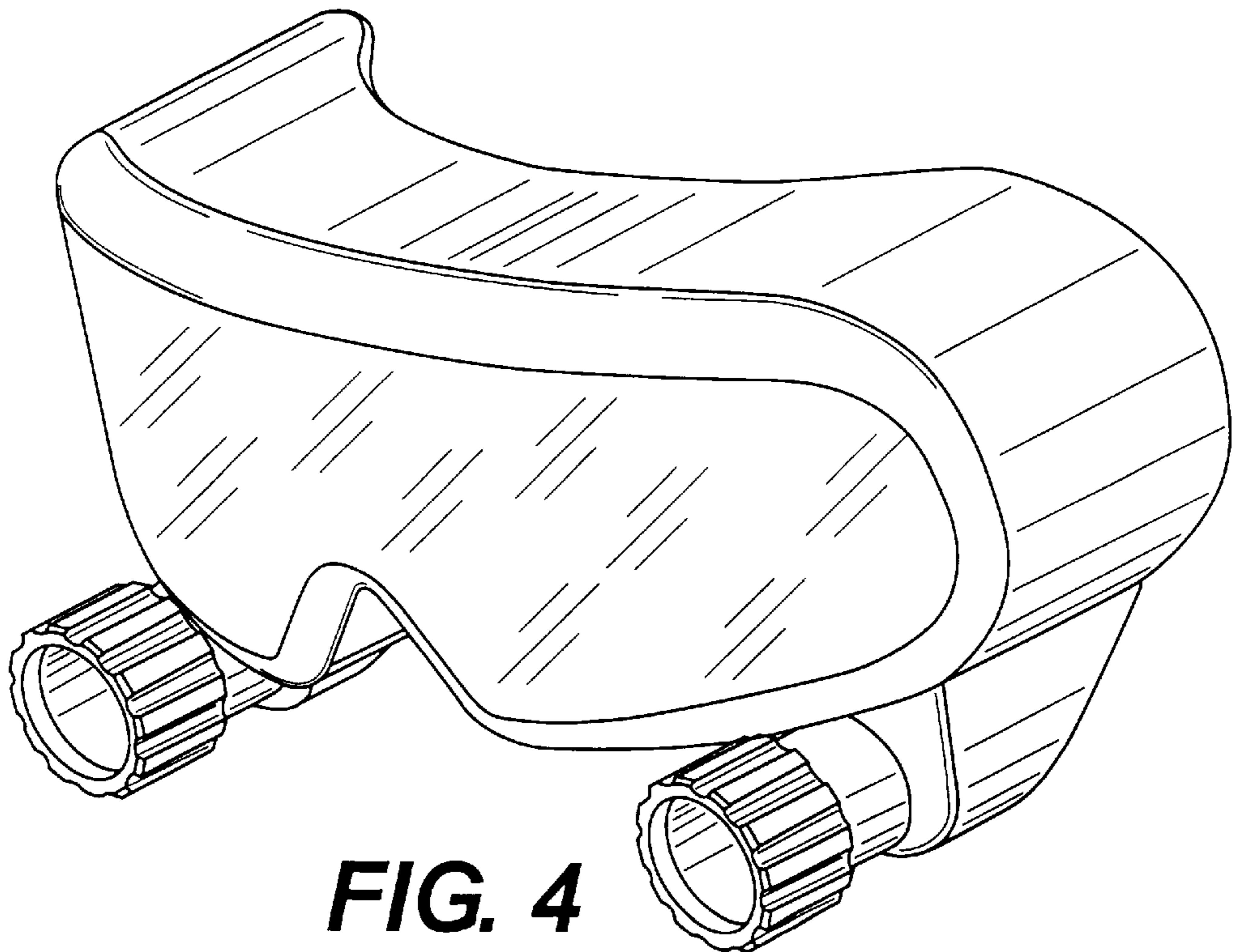


FIG. 4

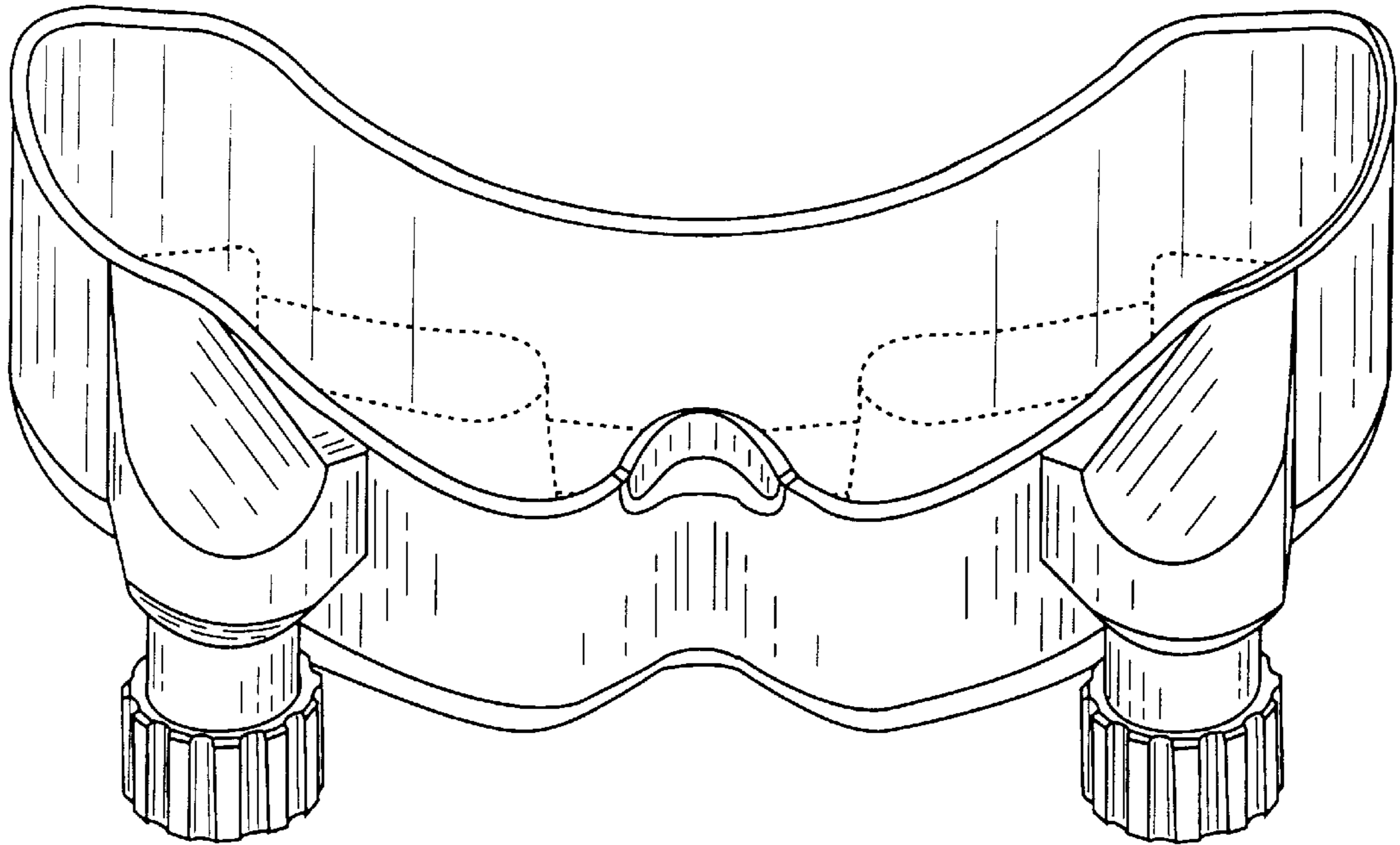


FIG. 5

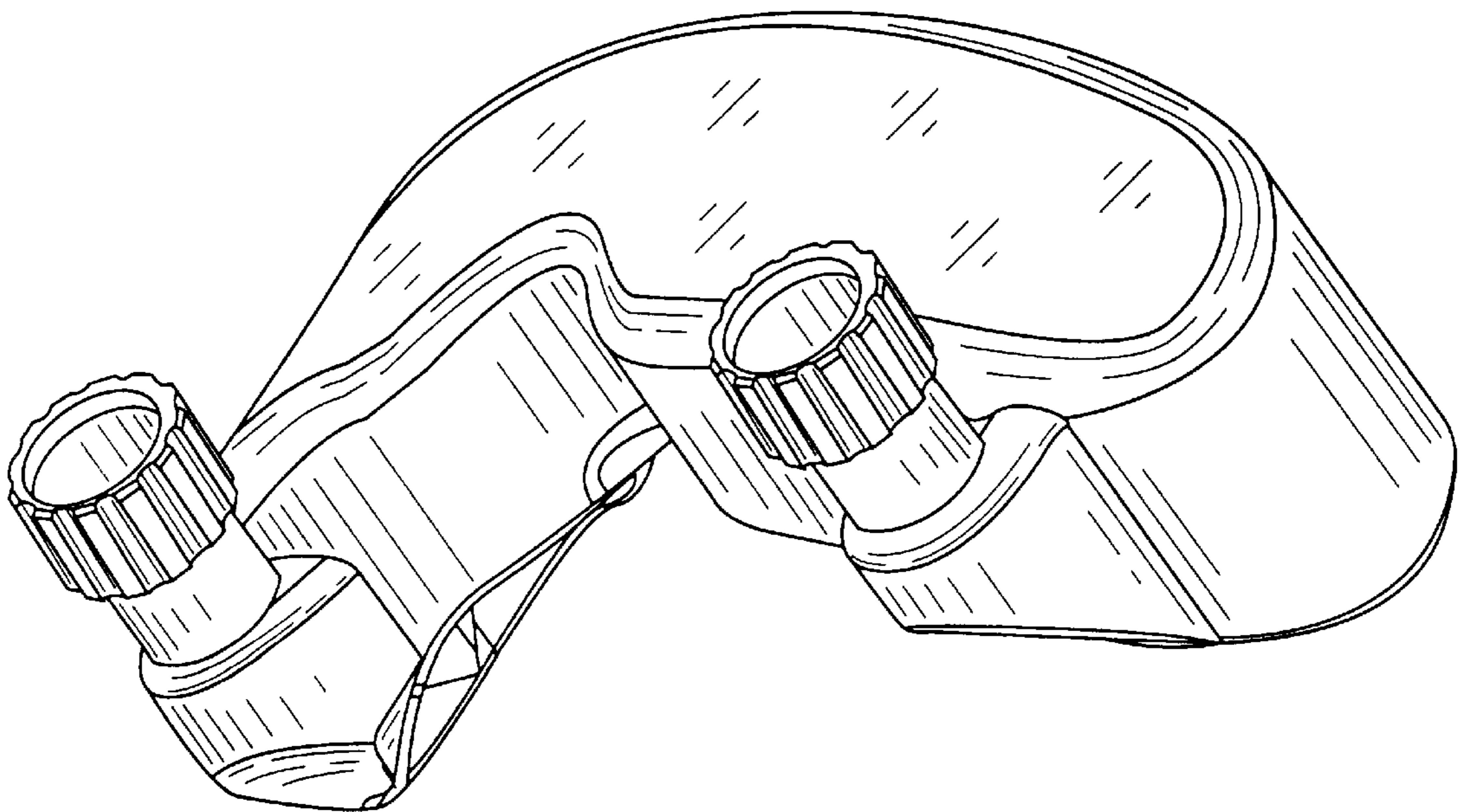


FIG. 6

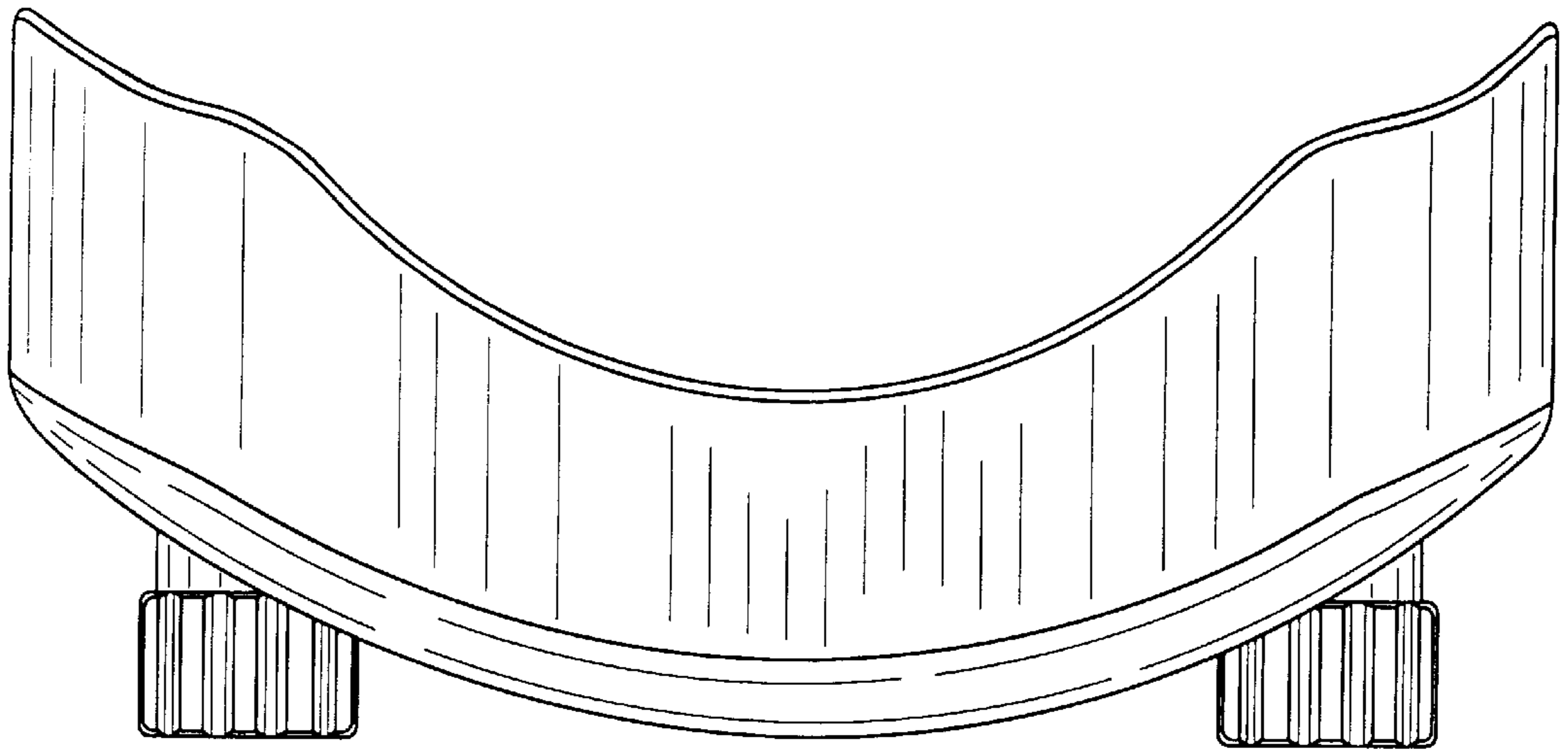


FIG. 7

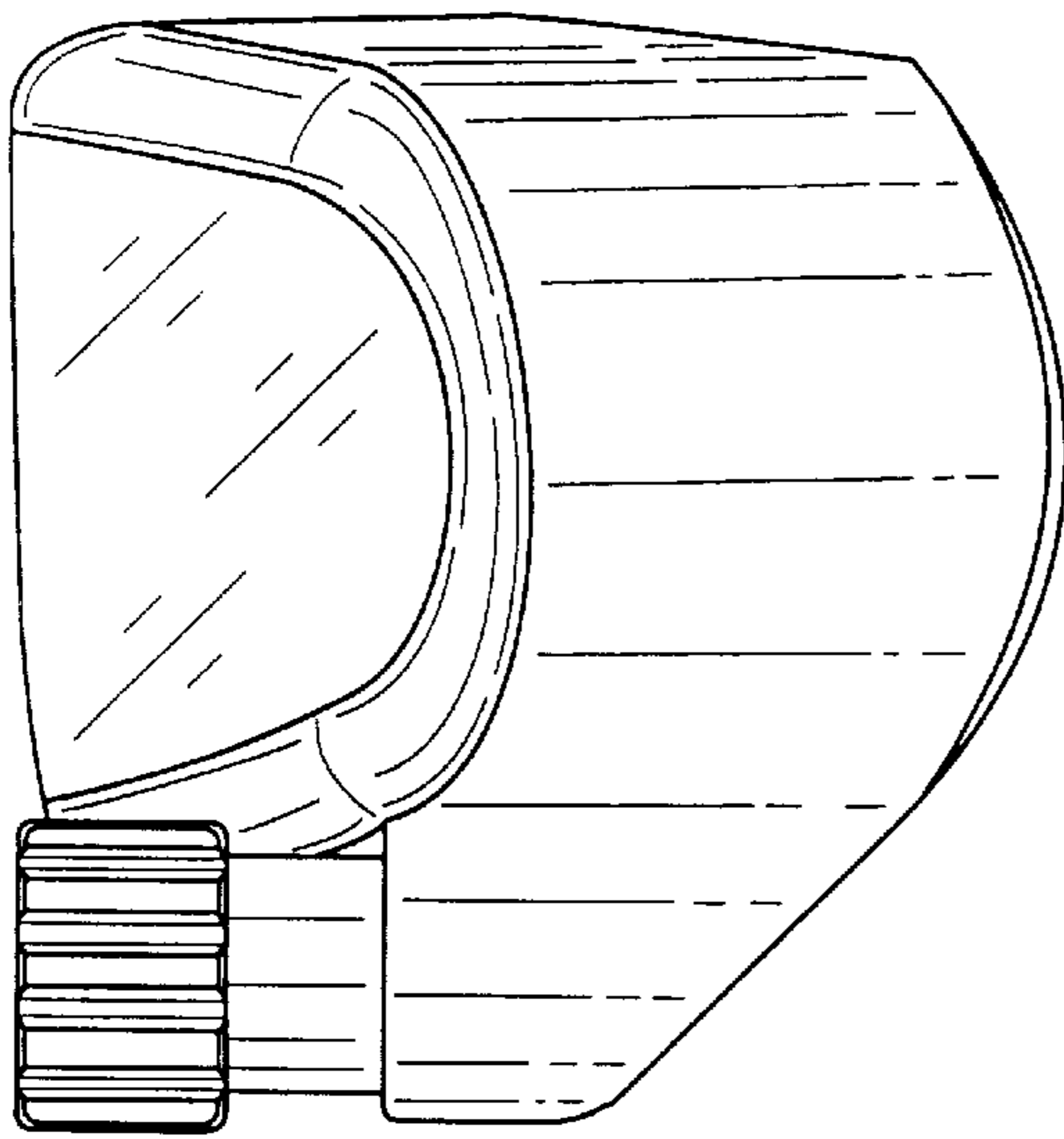


FIG. 8

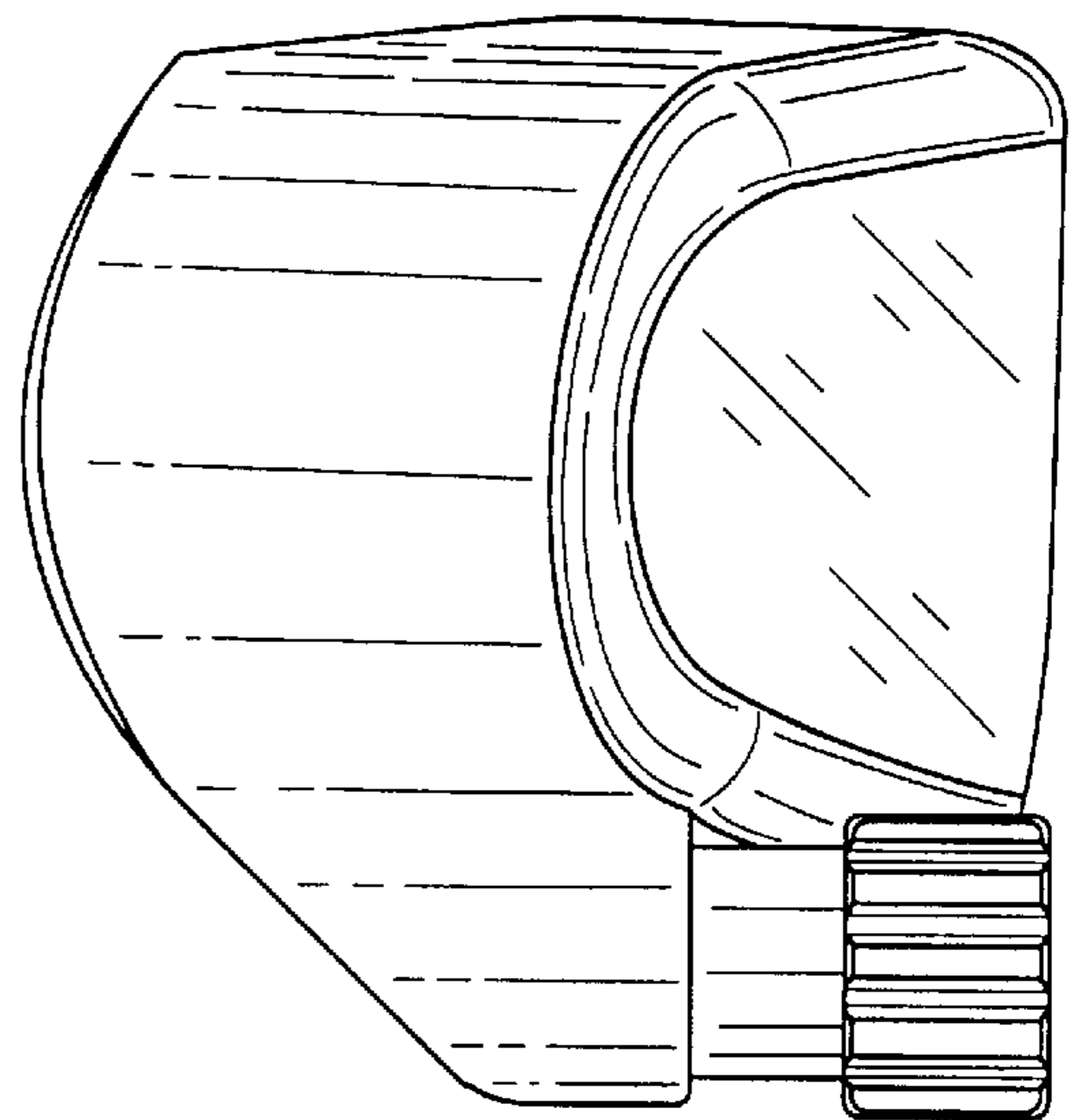


FIG. 9