



US00D431582S

United States Patent [19]

Sumita et al.

[11] Patent Number: Des. 431,582

[45] Date of Patent: ** Oct. 3, 2000

[54] VIDEO CAMERA COMBINED WITH VIDEO TAPE RECORDER

[75] Inventors: Kaoru Sumita; Eriko Kato; Kouichi Maeyama, all of Tokyo, Japan

[73] Assignee: Sony Corporation, Tokyo, Japan

[**] Term: 14 Years

[21] Appl. No.: 29/089,204

[22] Filed: Jun. 9, 1998

Related U.S. Application Data

[63] Continuation of application No. 29/080,896, Dec. 17, 1997, which is a continuation-in-part of application No. 29/057,042, Jul. 15, 1996, Pat. No. Des. 391,588.

[51] LOC (7) Cl. 16-01

[52] U.S. Cl. D16/202

[58] Field of Search D16/200-206, D16/208, 218; 348/373-376; 352/242, 243; 396/535-543

[56] References Cited

U.S. PATENT DOCUMENTS

D. 376,166	12/1996	Ishii	D16/202
D. 391,281	2/1998	Itakura et al.	D16/202
D. 396,051	7/1998	Mori	D16/202
D. 407,097	3/1999	Suzuki et al.	D16/202
D. 408,428	4/1999	Ninomiya et al.	D16/202

OTHER PUBLICATIONS

Catalog "Victor. JVC" pp. 2-4 Victor Corporation (Sep. 1996).

"Catalog 88" p. 5-6 Sony (Mar. 1988).

Video Magazine, "Canon UC1", p. 64, (Jul. 1992).

Primary Examiner—Adir Aronovich
Attorney, Agent, or Firm—Rader, Fishman & Grauer

[57] CLAIM

The ornamental design for a video camera combined with tape recorder, as shown and described.

DESCRIPTION

FIG. 1 is a top, front perspective view of a first embodiment of a combined video tape recorder and camera showing our new design;

FIG. 2 is a top, rear perspective thereof, the viewing screen shown in an extending away position;

FIG. 3, is a top, rear perspective view thereof, the viewing screen shown in the first alternative position;

FIG. 4, is a top, rear perspective view thereof, the viewing screen shown in the second alternative position;

FIG. 5 is a top, rear perspective view thereof, the viewing screen shown in the third alternative position;

FIG. 6, is a top plan view thereof;

FIG. 7, is a left side elevational view thereof;

FIG. 8 is a front elevational view thereof;

FIG. 9 is a bottom plan view thereof;

FIG. 10 is a right side elevational view thereof;

FIG. 11 is a rear elevational view thereof;

FIG. 12 is a top, front perspective view of another embodiment of a combined video tape recorder and camera showing our new design, wherein the viewing finder is in the extending position; and,

FIG. 13 is a top, front perspective view of another embodiment of a combined video tape recorder and camera showing our new design, wherein the cover portion is in the extending position.

1 Claim, 10 Drawing Sheets

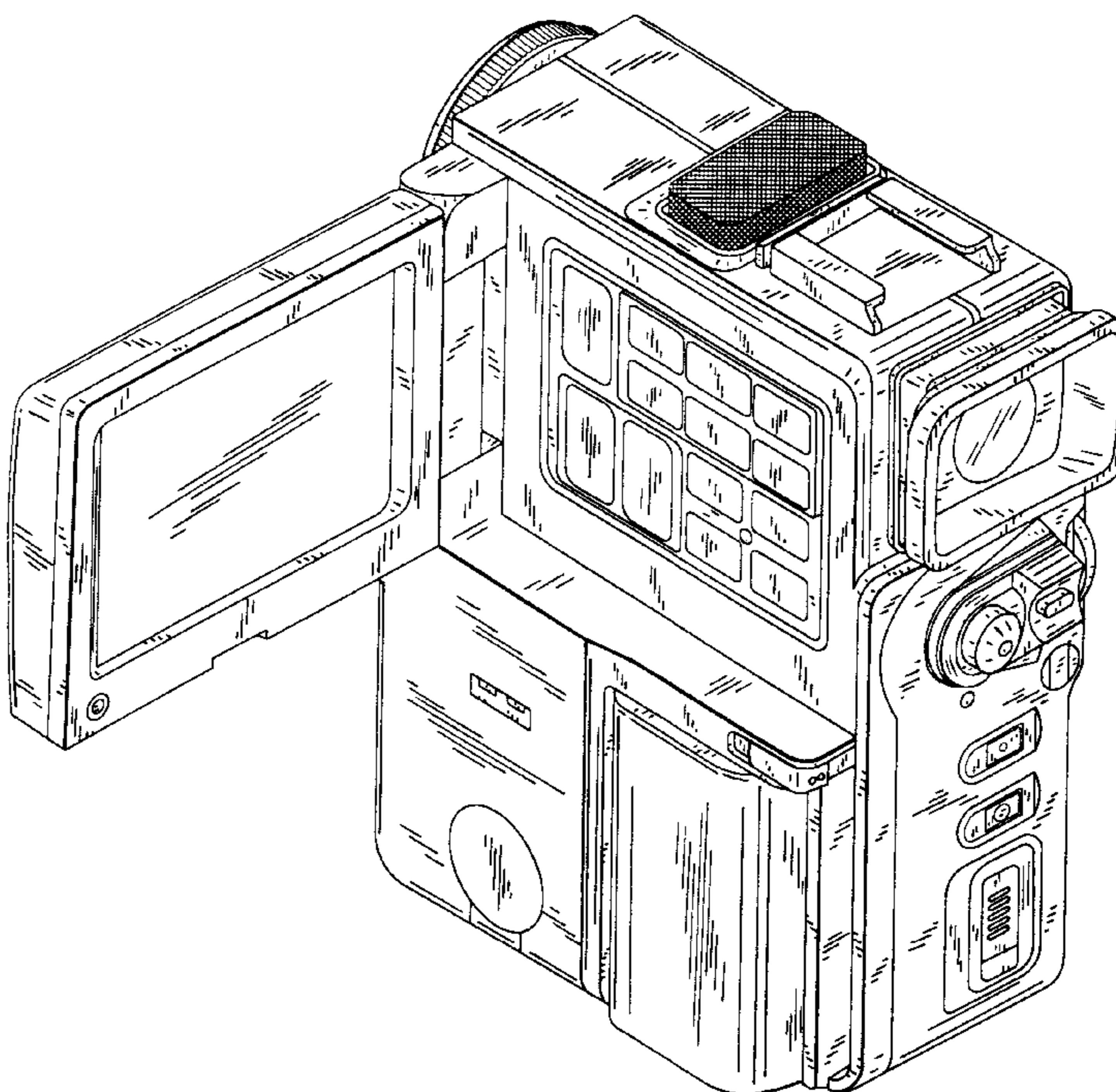
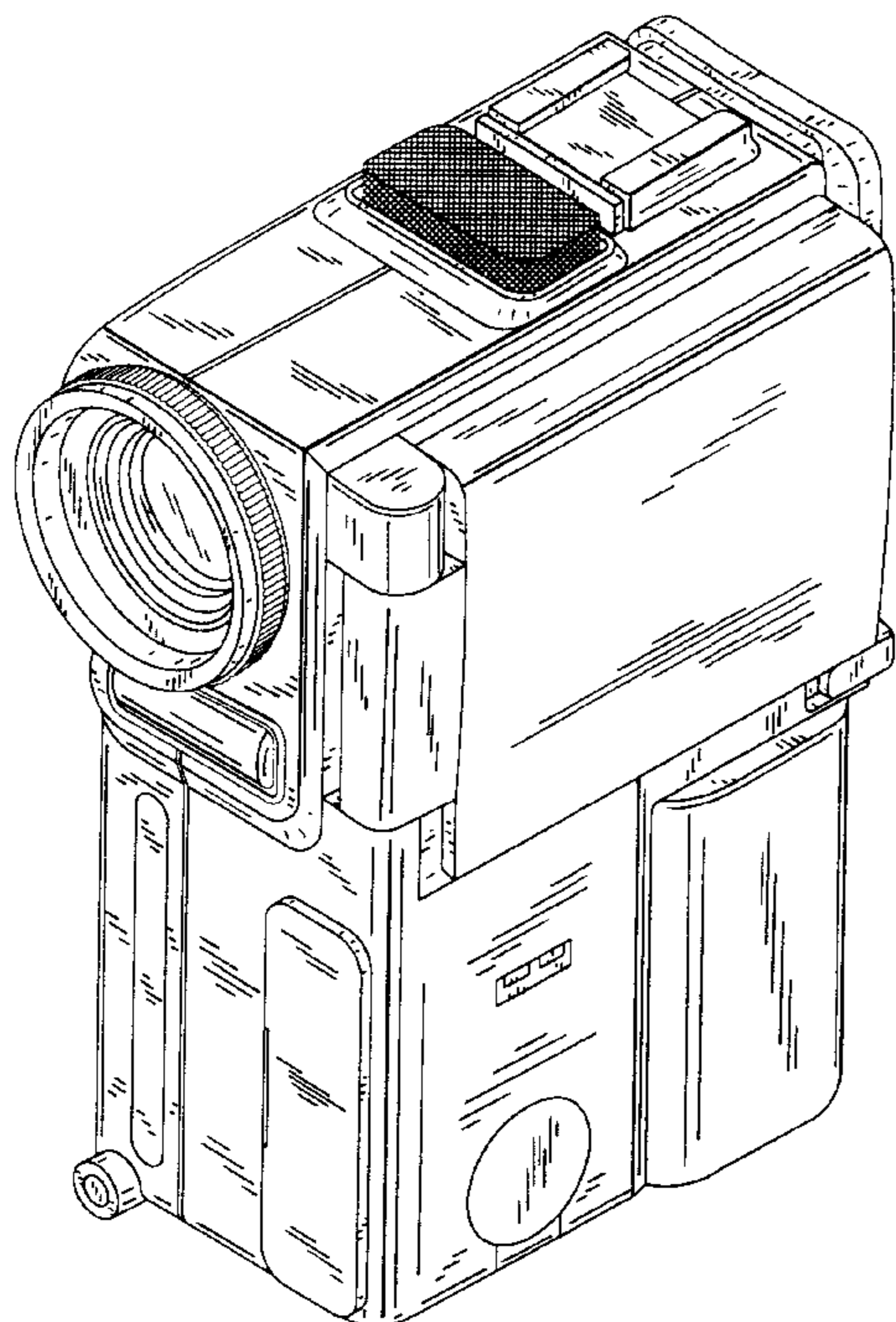


FIG. 1

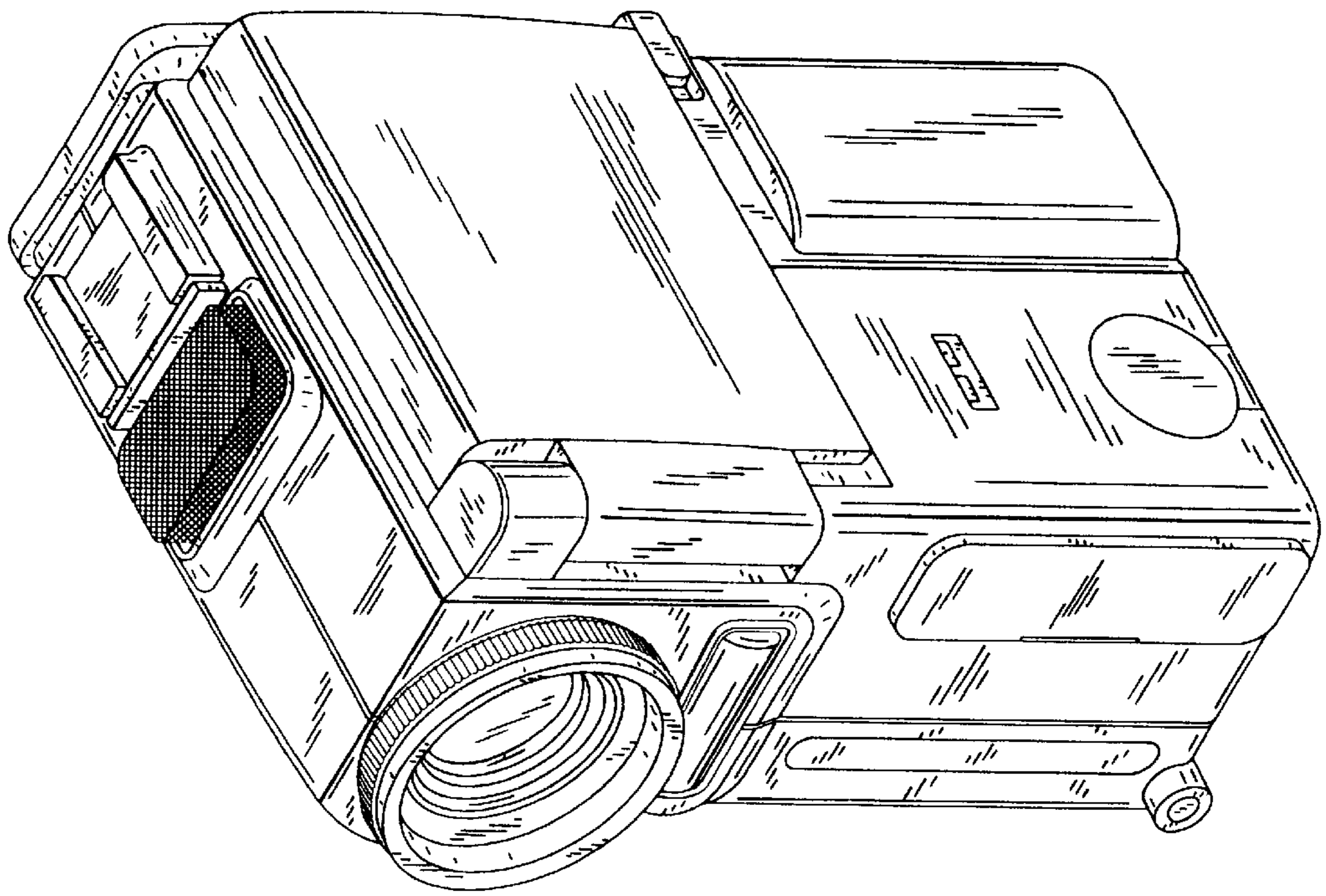


FIG. 2

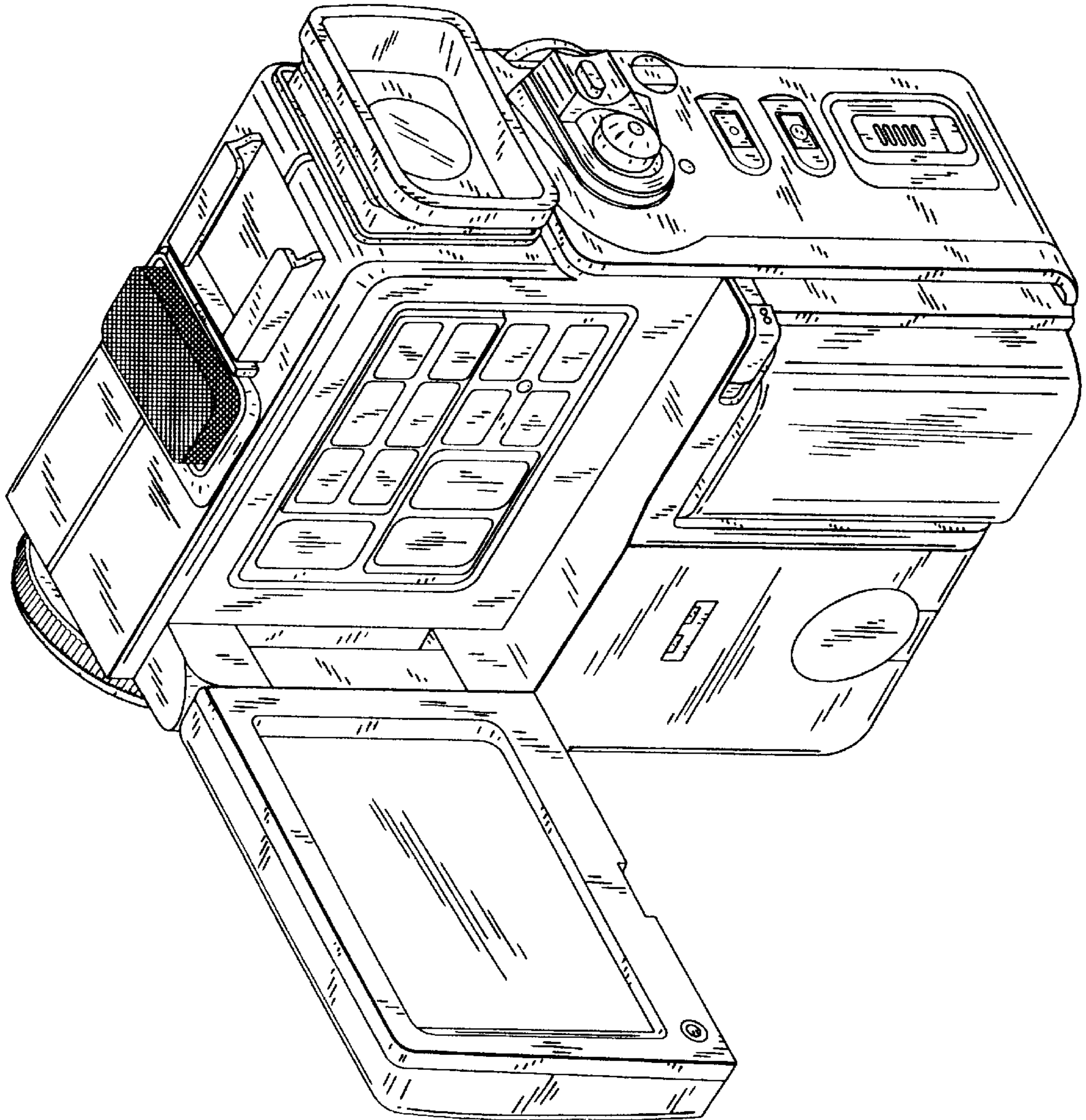


FIG. 3

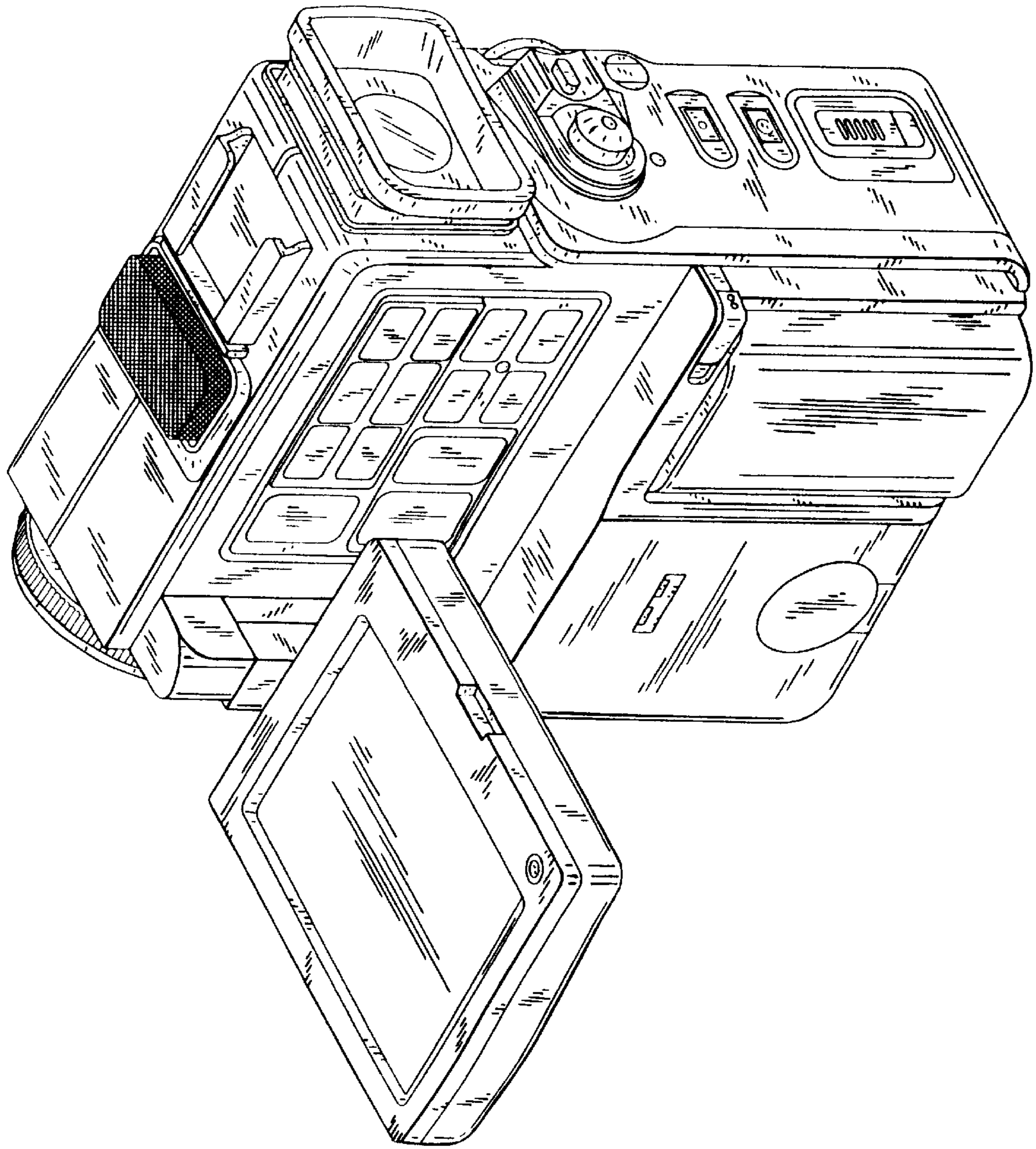


FIG. 4

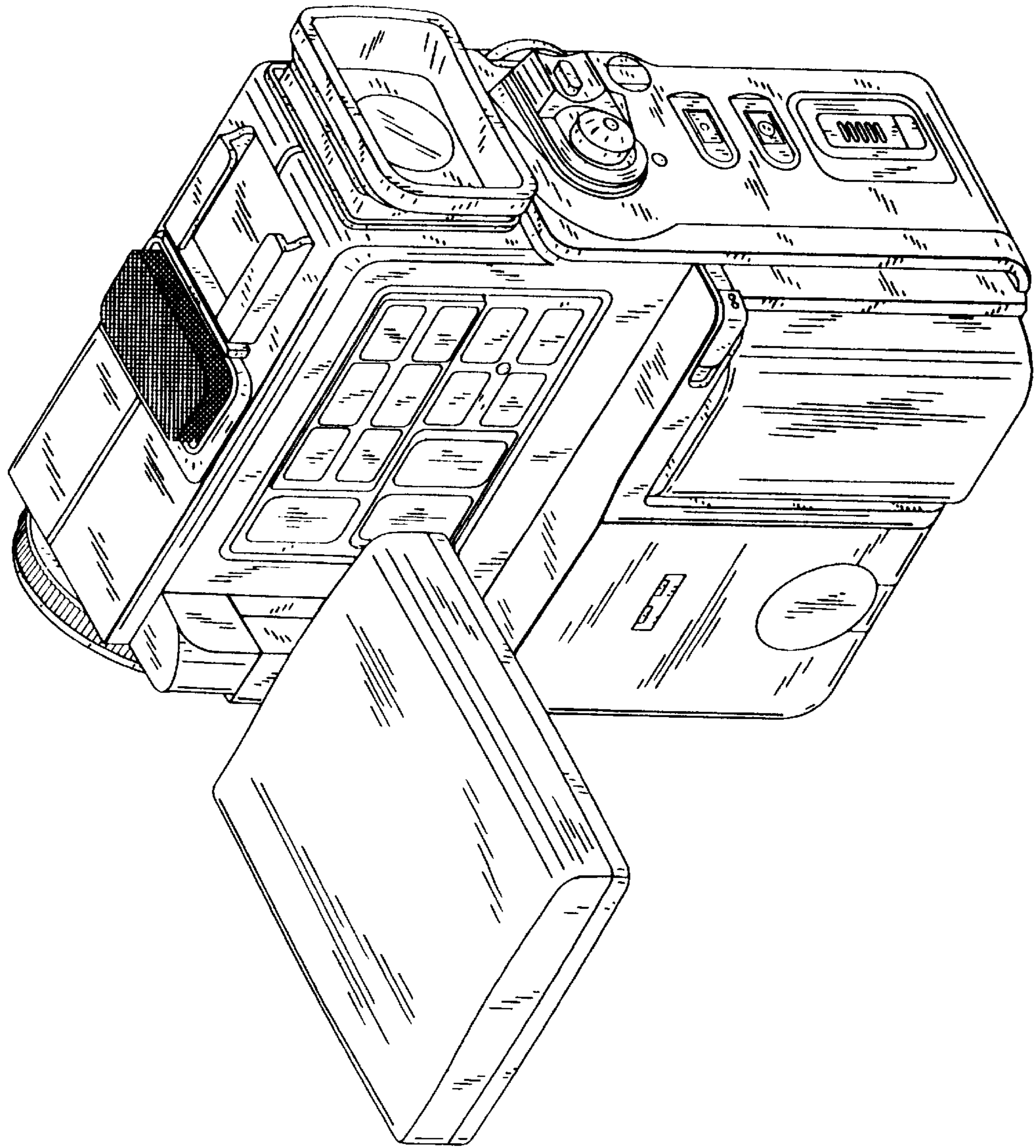


FIG. 5

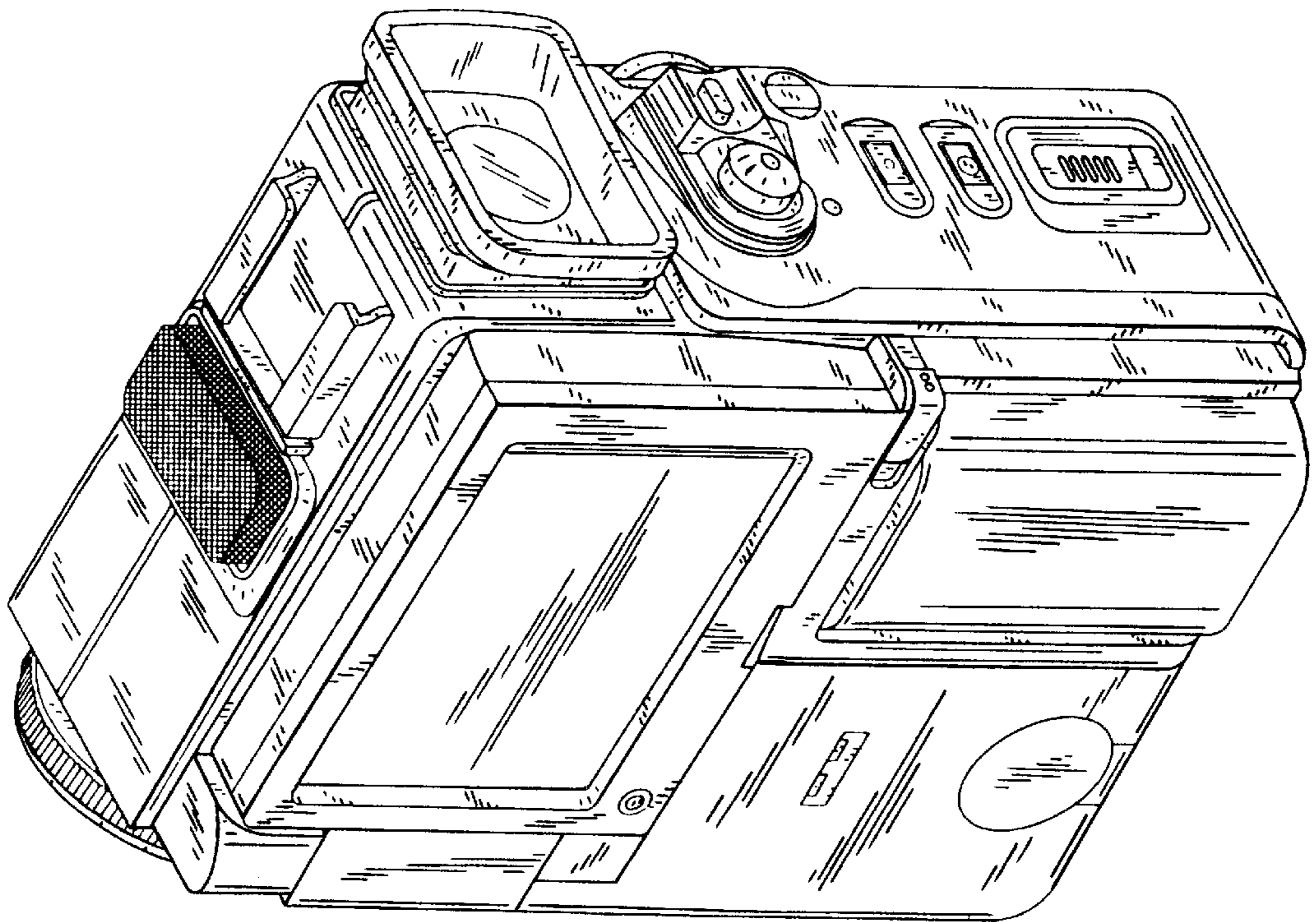


FIG. 9

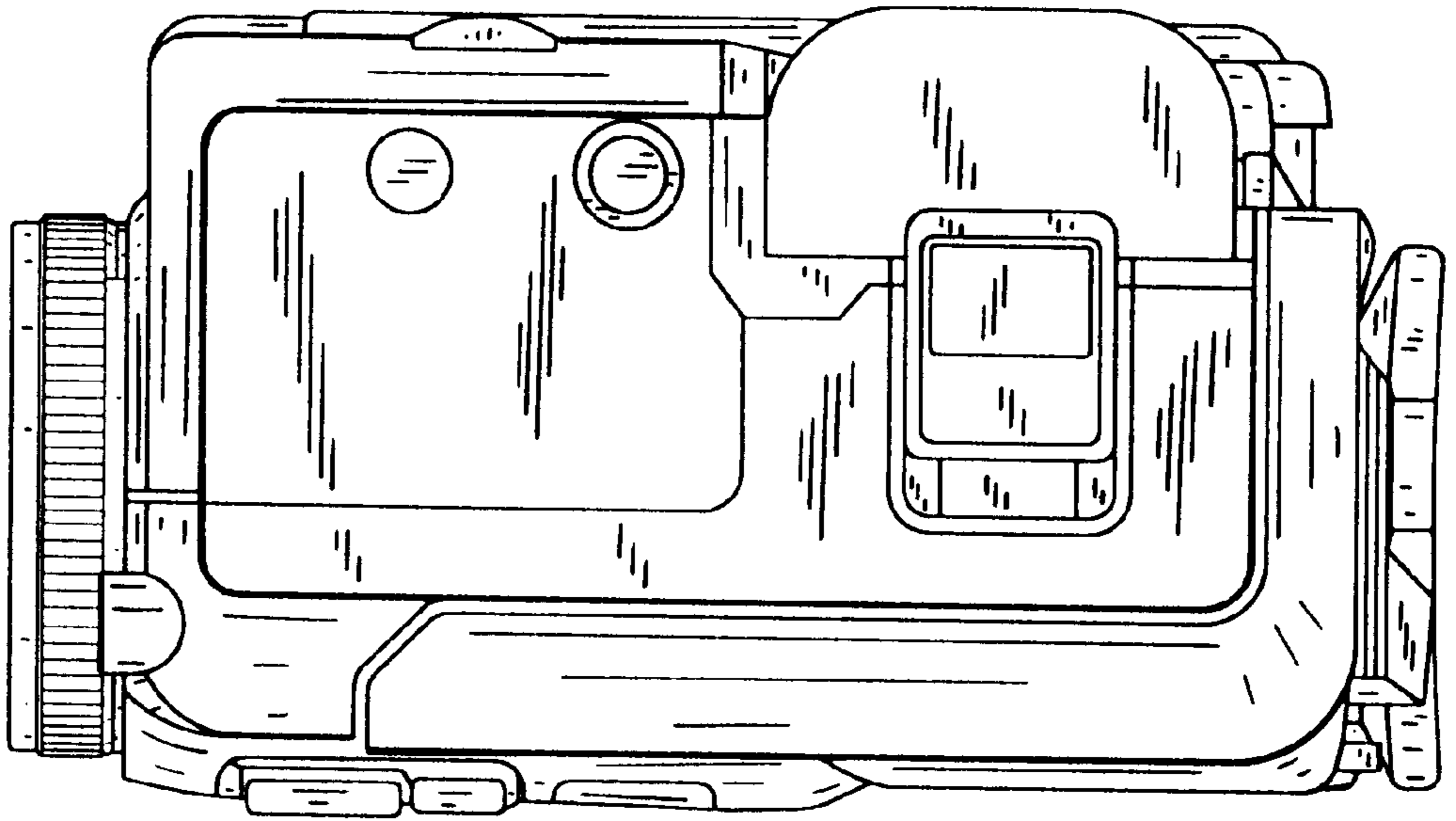


FIG. 6

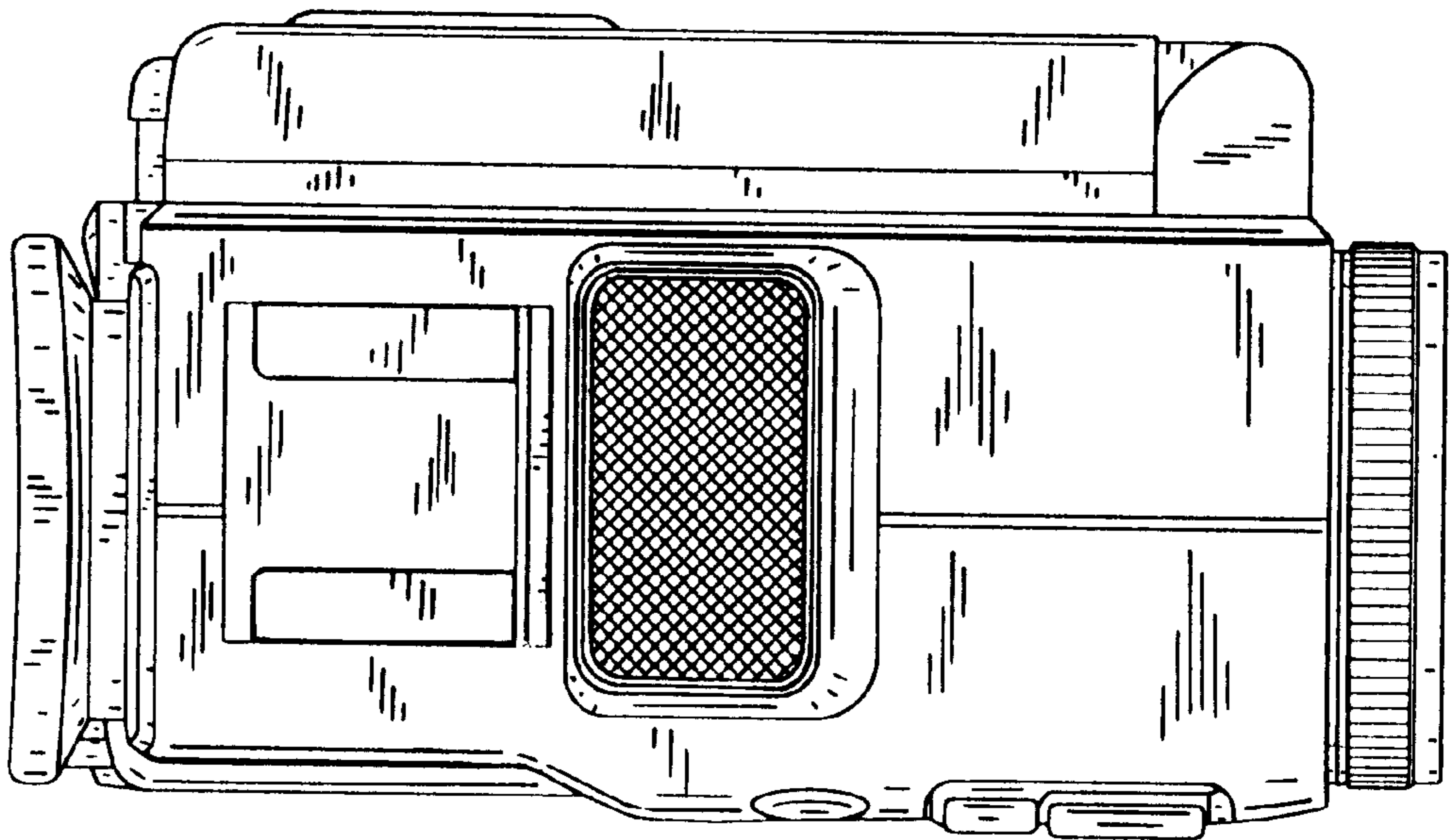


FIG. 10

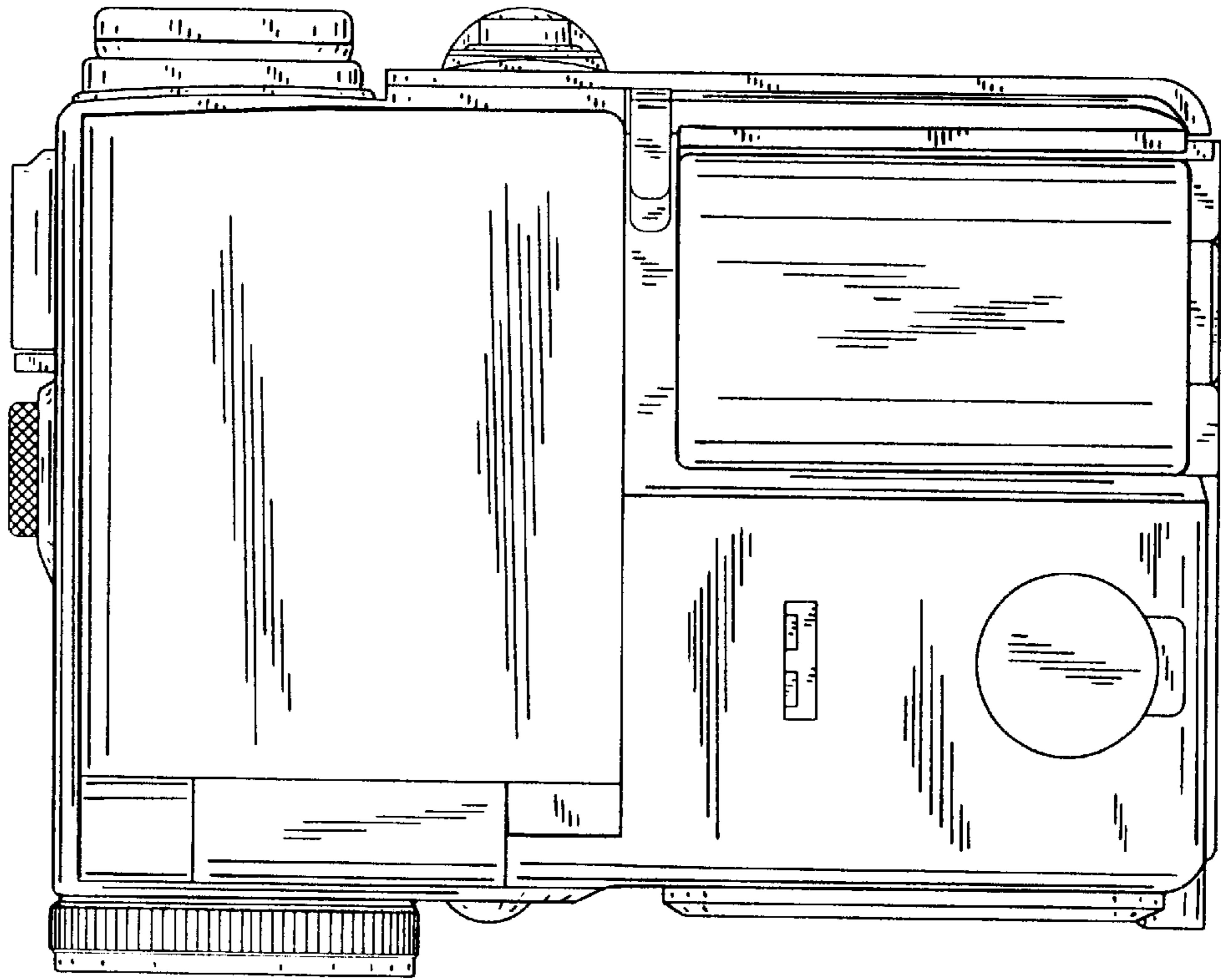


FIG. 7

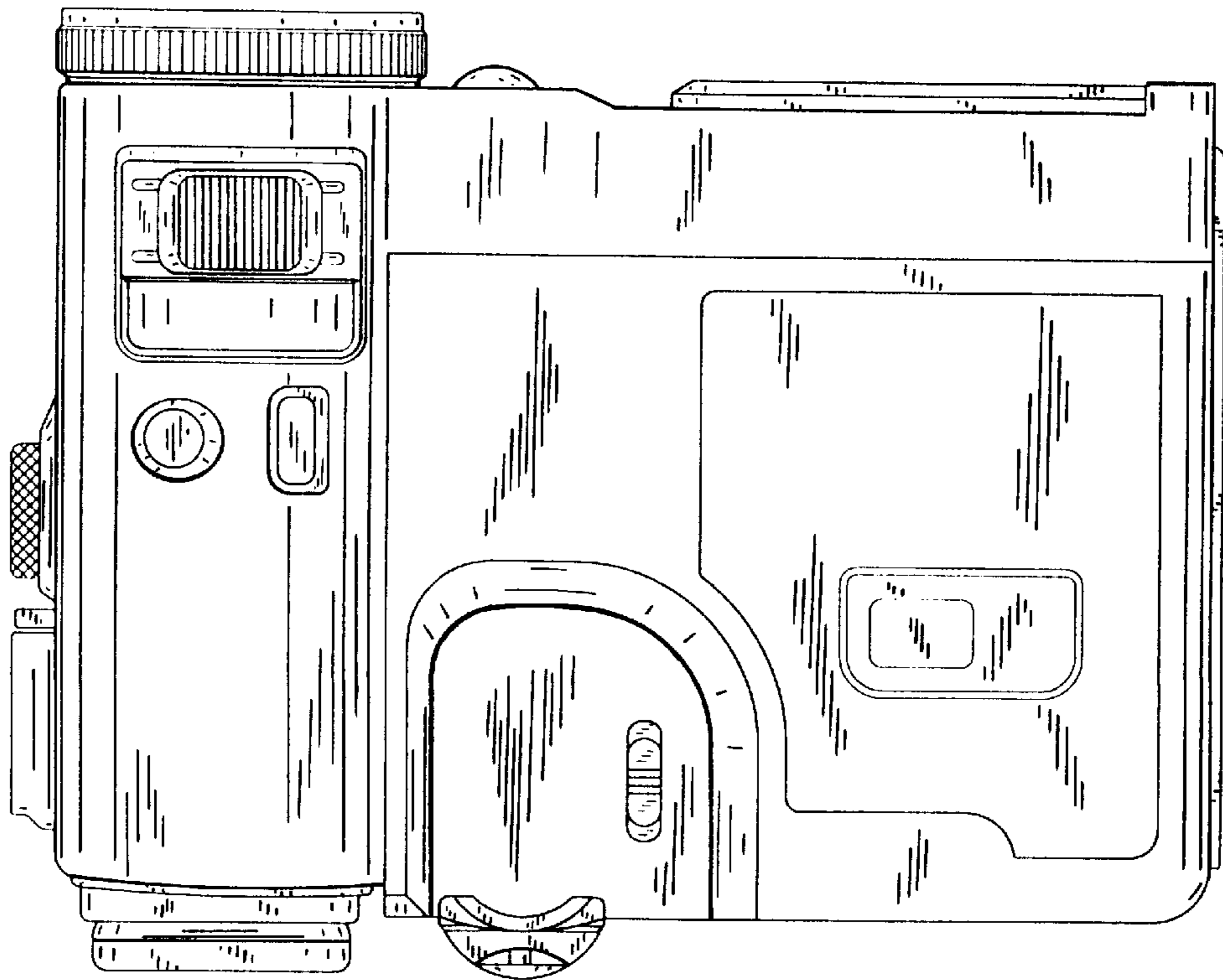


FIG. 11

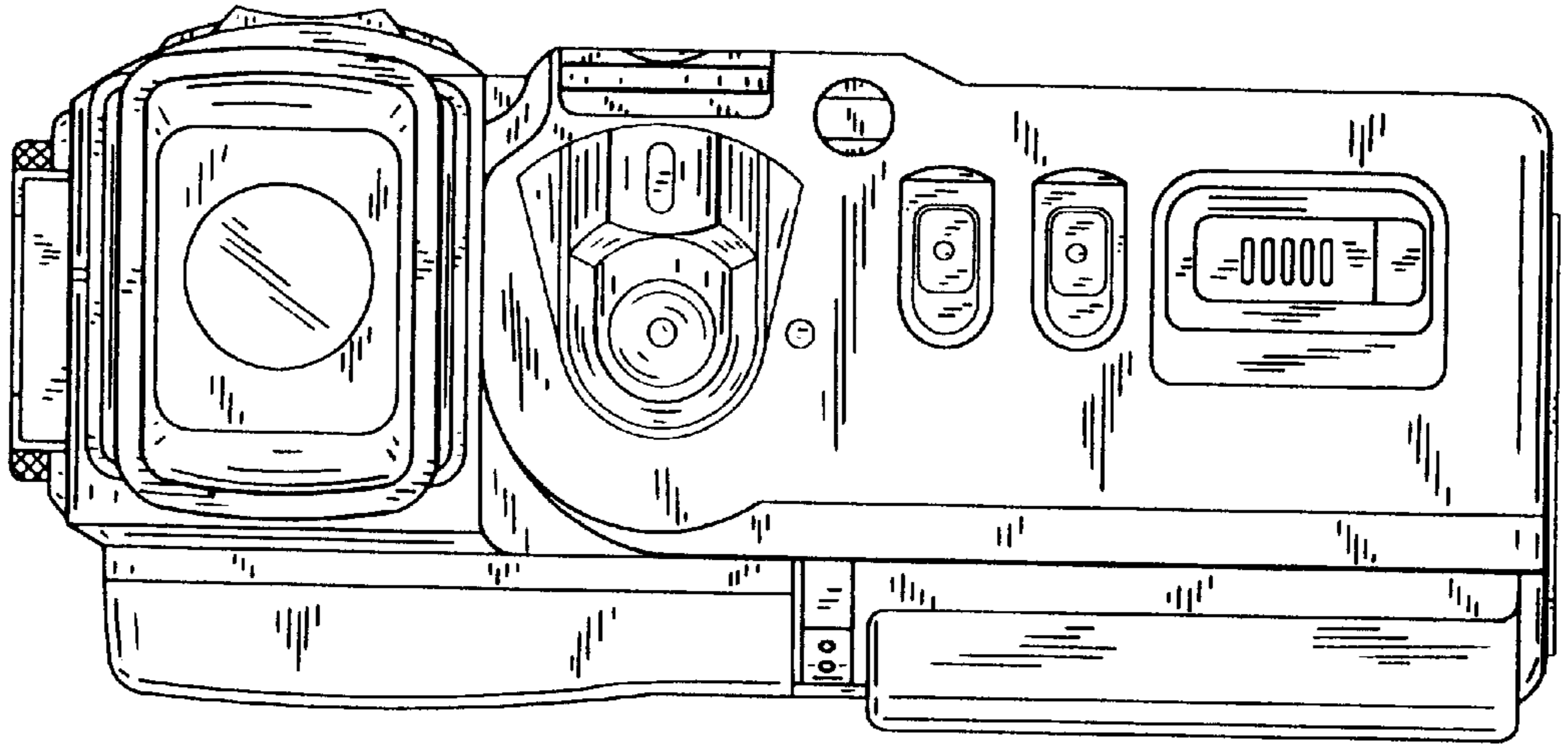


FIG. 8

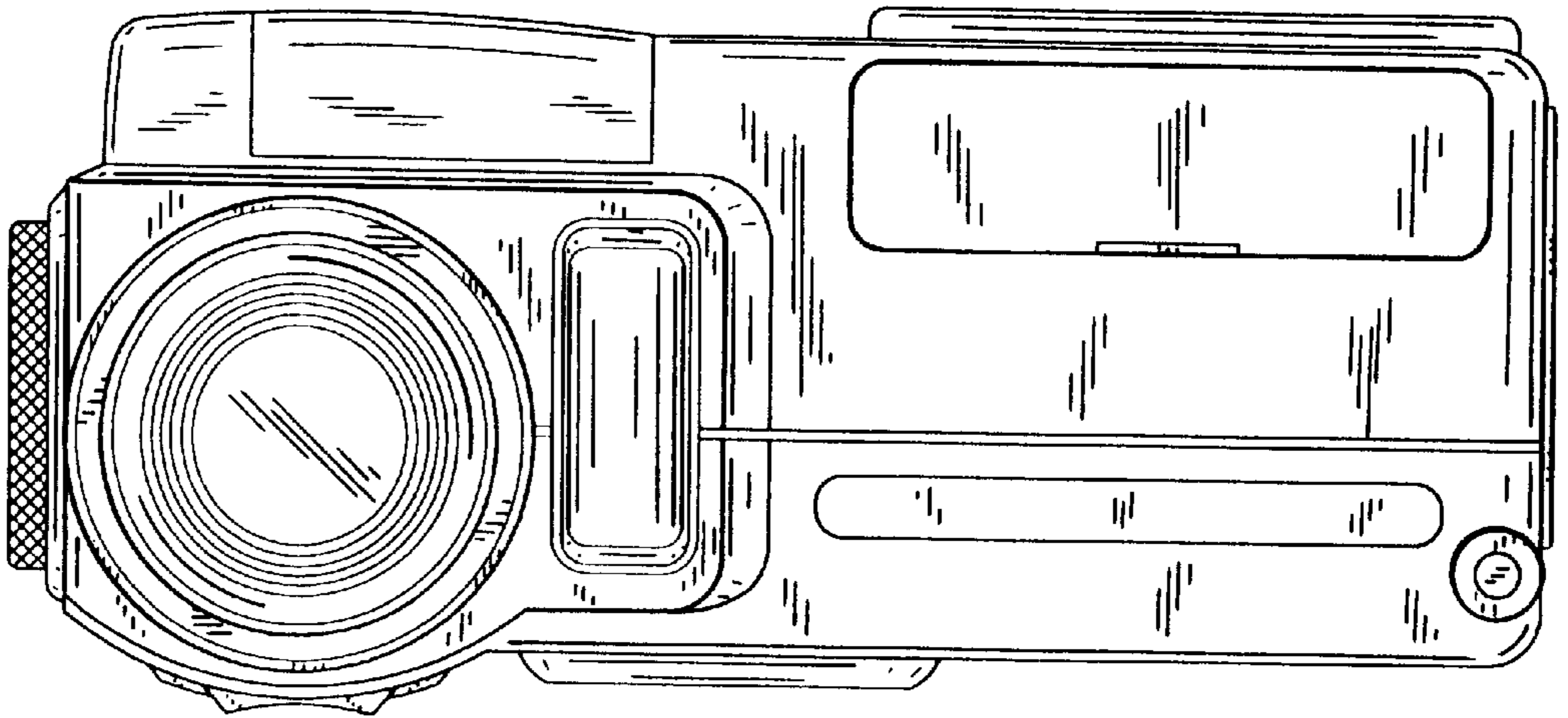


FIG. 12

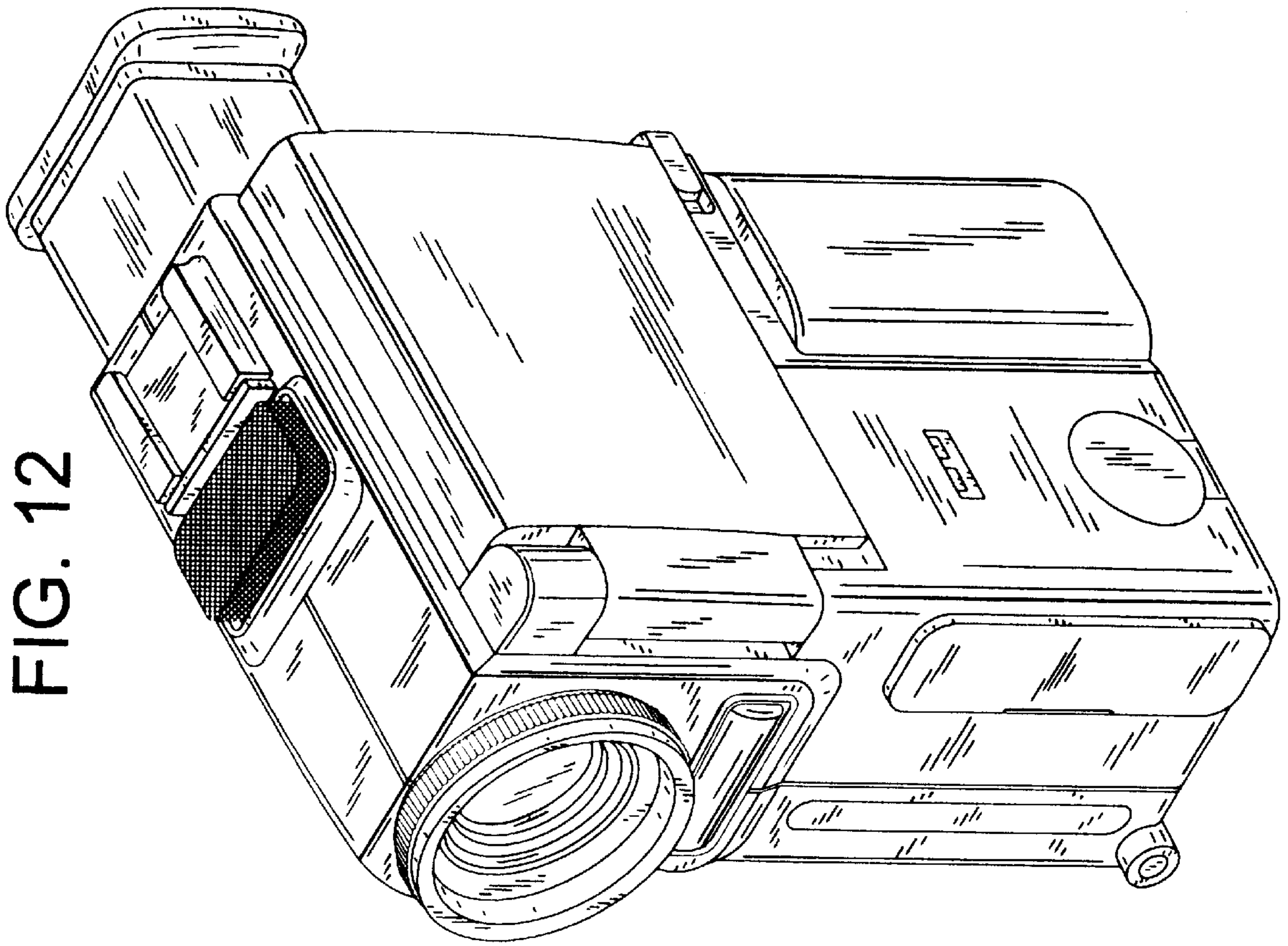


FIG. 13

